



US00D363774S

United States Patent [19]
Robertson, II et al.

[11] **Patent Number:** **Des. 363,774**
[45] **Date of Patent:** ****Oct. 31, 1995**

[54] **RESUSCITATOR FOR ADMINISTERING CPR**

4,944,291 7/1990 Robertson, II et al. .
5,386,822 2/1995 Jones 128/203.11

[75] Inventors: **G. Neil Robertson, II**, Clackamas,
Oreg.; **Truman F. Allen**, Sparks, Nev.

OTHER PUBLICATIONS

[73] Assignee: **Aries International, Inc.**, Clackamas,
Oreg.

Intertech Brochure #138701 (Apr./1987) 15M on Safe
Response Month to Month Mask from Intertech Resources.
Inc. #2275 Half Day Rd, Ste. 175, Bannockburn, Ill. 60015.

[**] Term: **14 Years**

Primary Examiner—Lou Zarfaz
Assistant Examiner—I. Simmons
Attorney, Agent, or Firm—Jerry T. Kearns

[21] Appl. No.: **23,718**

[22] Filed: **May 31, 1994**

[52] **U.S. Cl.** **D24/110; D24/110.5**

[58] **Field of Search** **D24/110.4, 110.5,**
D24/110.6; 128/202.28, 203.11, 202.29,
207.16, 202.29

[57] **CLAIM**

The ornamental design for a resuscitator for administering
CPR, as shown and described.

DESCRIPTION

FIG. 1 is a front perspective view of a resuscitator for
administering CPR showing our new design;
FIG. 2 is a rear perspective view thereof;
FIG. 3 is a front elevational view thereof;
FIG. 4 is a rear elevational view thereof;
FIG. 5 is a top plan view thereof;
FIG. 6 is a bottom plan view thereof;
FIG. 7 is a left side elevational view thereof; and,
FIG. 8 is a right side elevational view thereof.

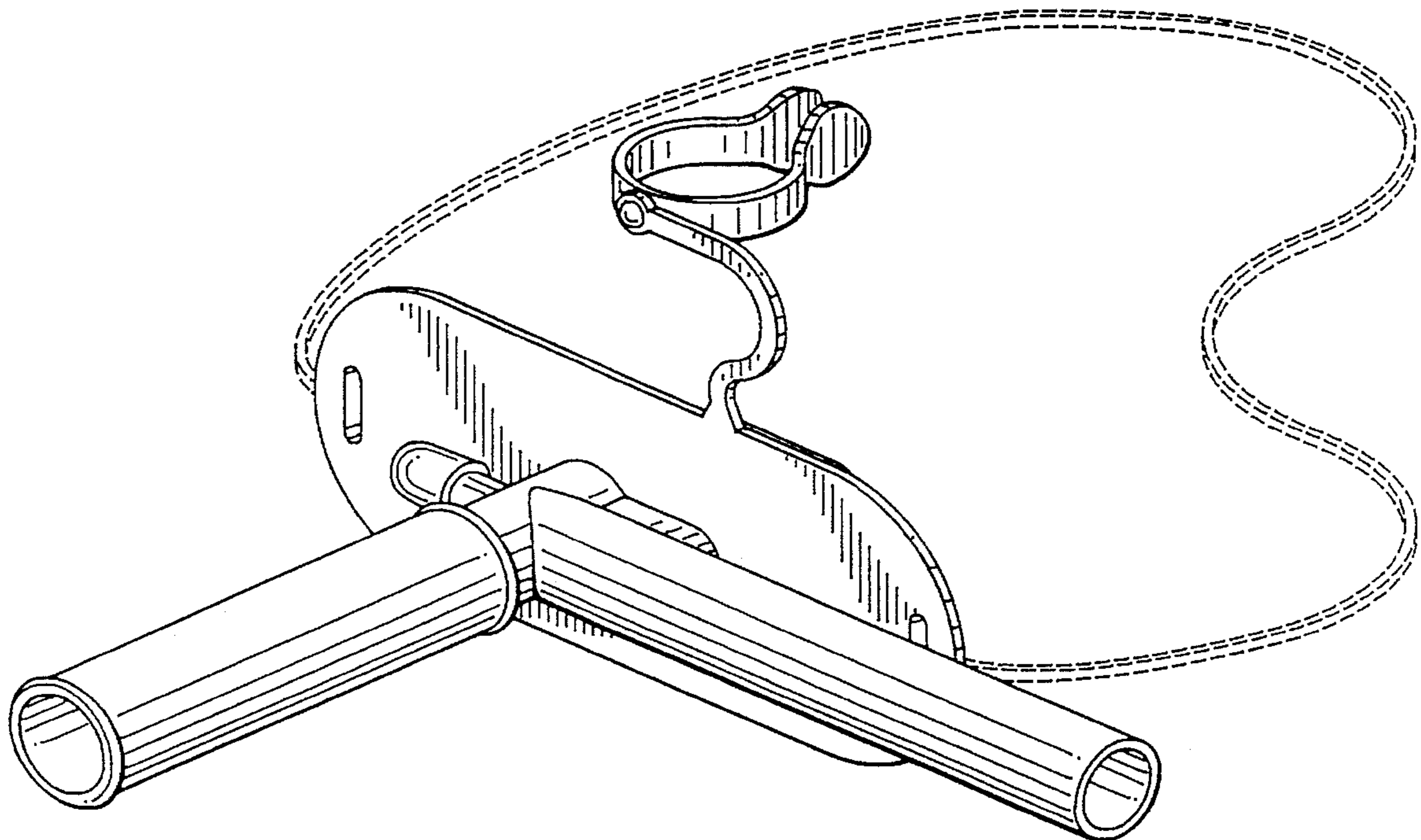
The broken line showing of a head strap in FIG. 1 is for
illustrative purposes only and forms no part of the claimed
design.

1 Claim, 3 Drawing Sheets

[56] **References Cited**

U.S. PATENT DOCUMENTS

D. 311,607	10/1990	Howells	D24/110
3,017,880	1/1962	Brook	.	
3,060,927	10/1962	Gattone	128/202.28
3,265,066	8/1966	Katehis	.	
3,327,704	6/1967	Bartlett, Jr.	.	
3,508,543	4/1970	Aulicono	D24/110 X
3,538,913	11/1970	Stolti	128/202.28
3,626,936	12/1971	Barker	.	
3,957,046	5/1976	Harris	128/203.11
4,535,765	8/1985	Paoluccio et al.	.	
4,942,873	7/1990	Irwin et al.	128/203.11



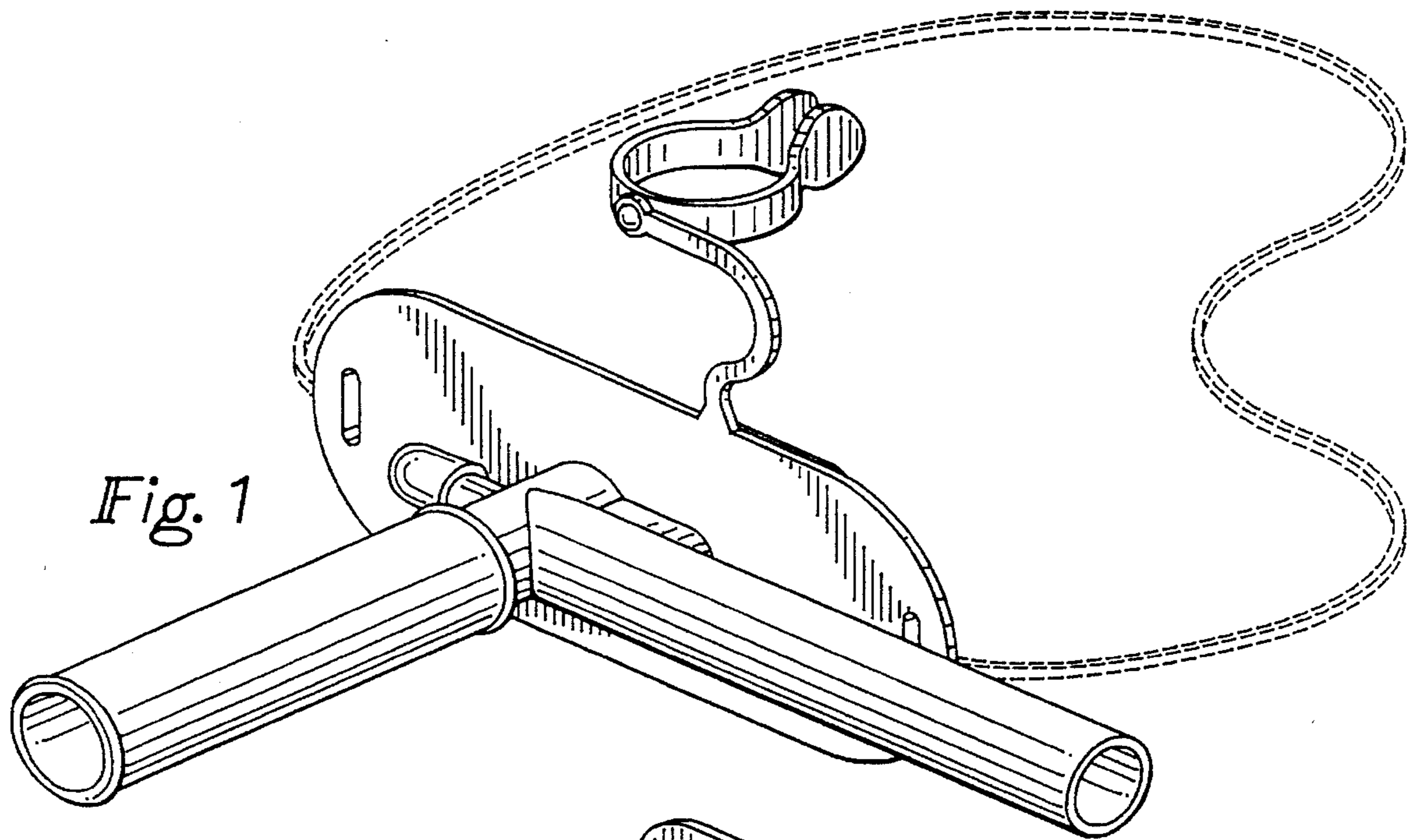


Fig. 1

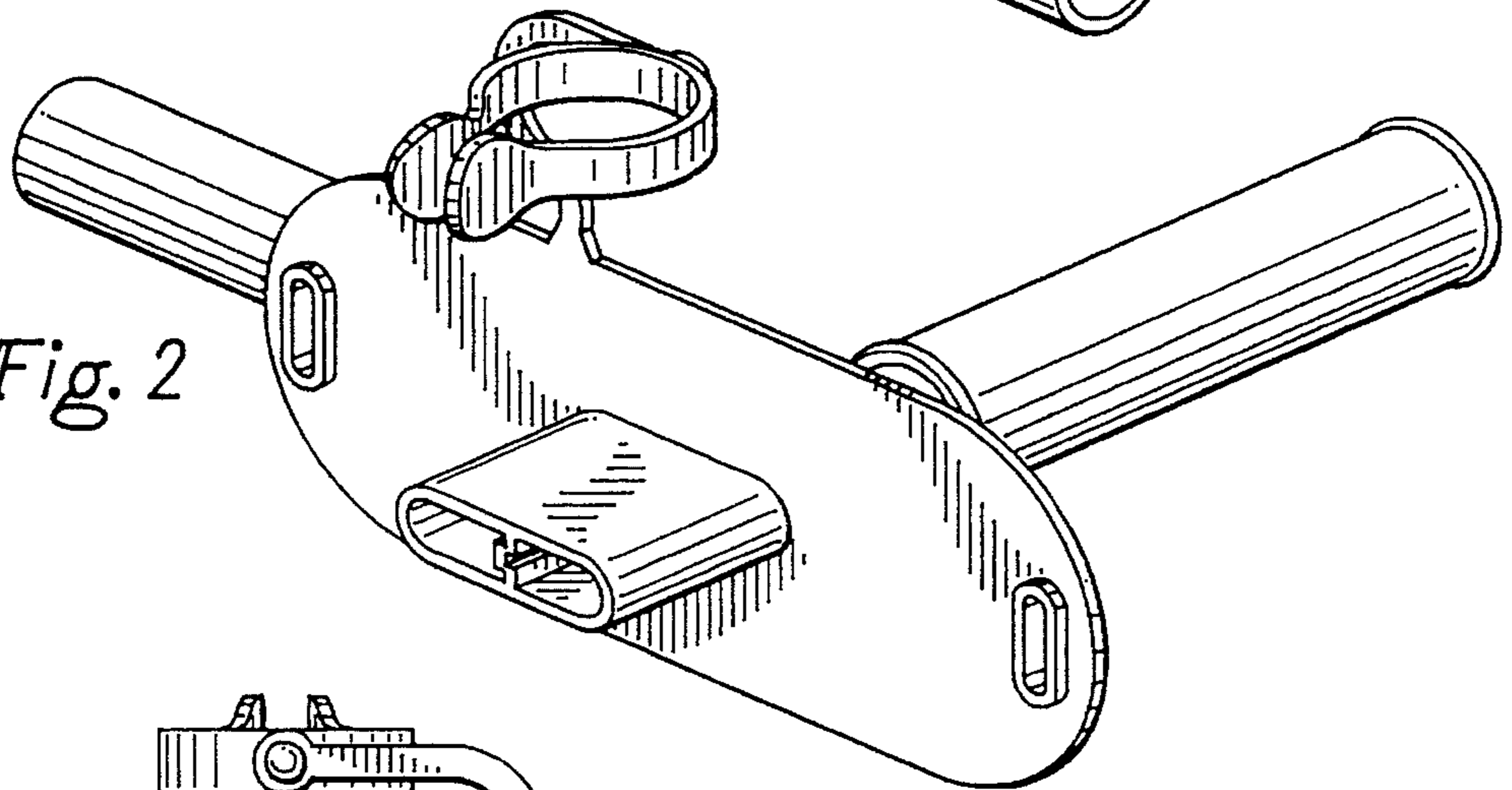


Fig. 2

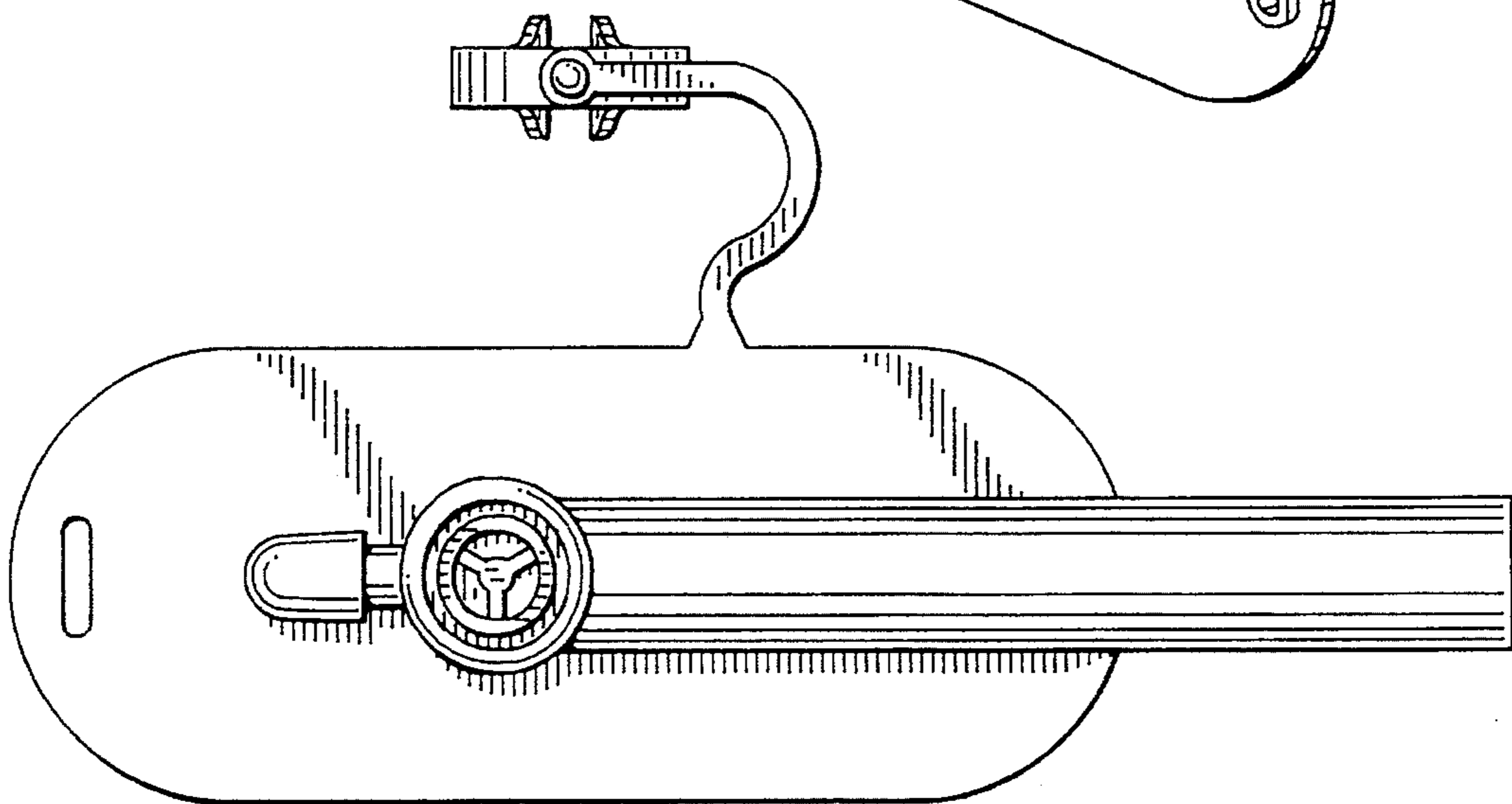


Fig. 3

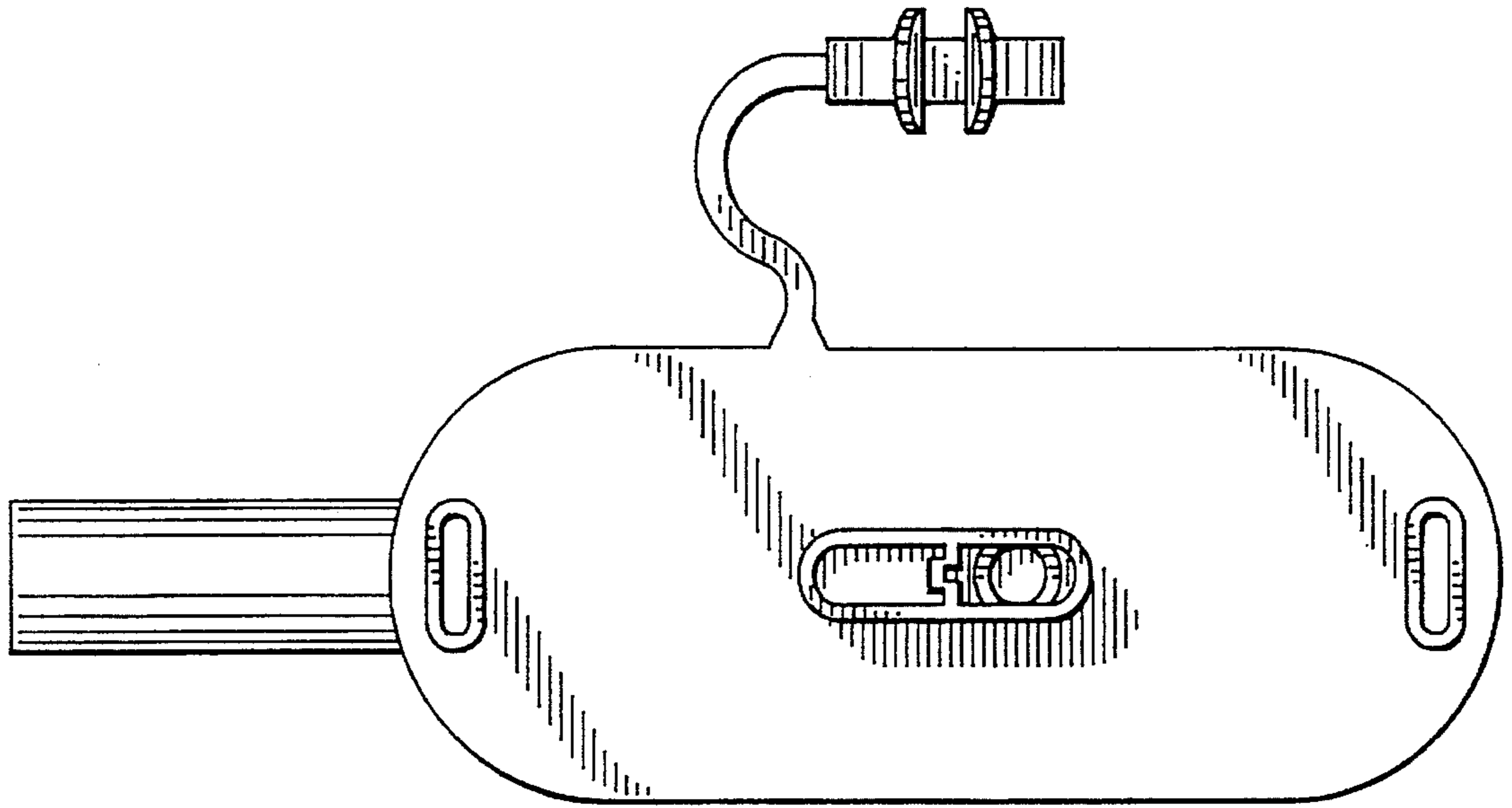


Fig. 4

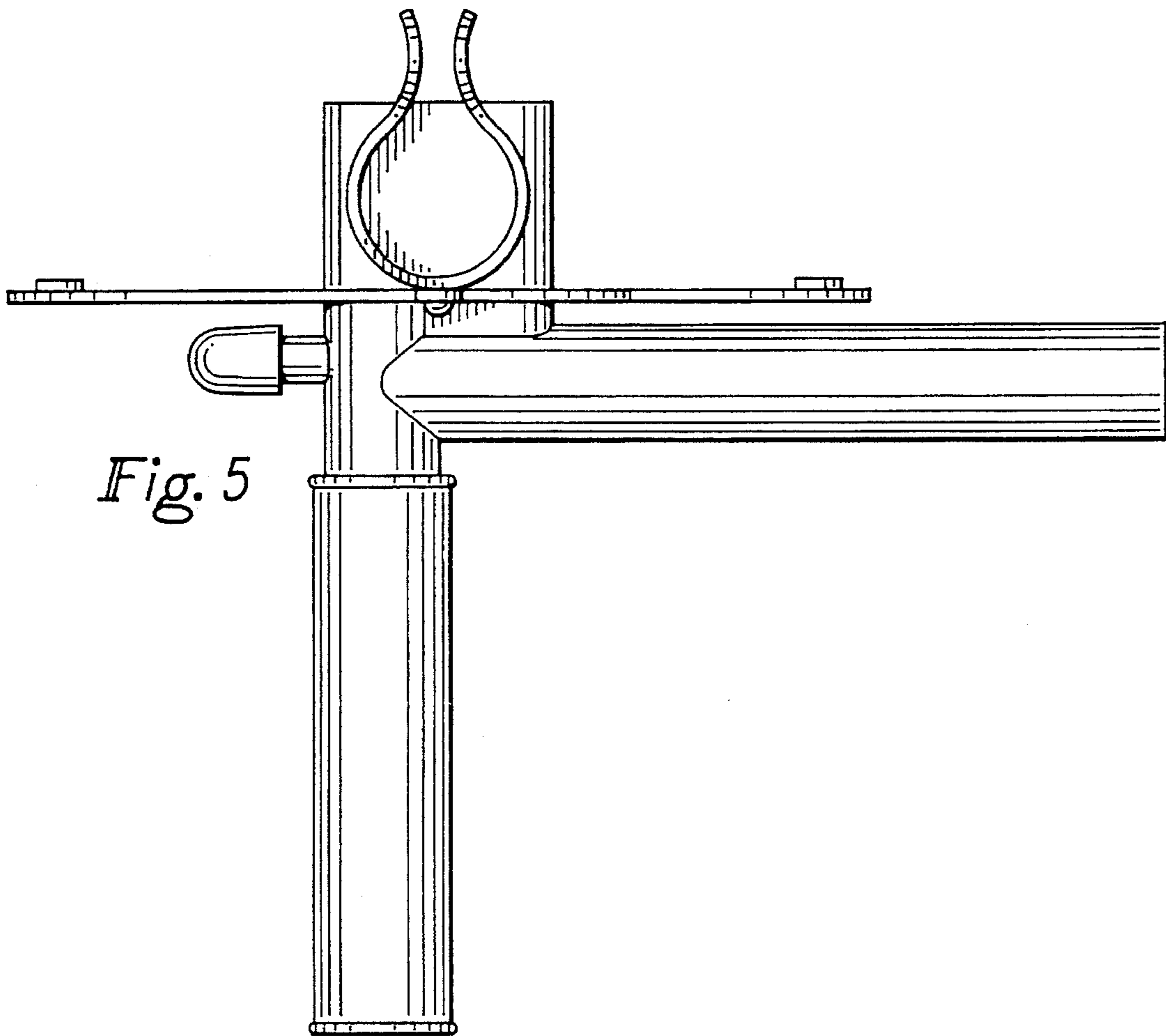


Fig. 5

