



US00D363772S

United States Patent [19]

Kopp et al.

[11] Patent Number: **Des. 363,772**

[45] Date of Patent: ****Oct. 31, 1995**

[54] AIR TREATMENT DEVICE ENCLOSURE

[75] Inventors: **Robert Kopp**, Algonquin, Ill.; **John D. Bryson, Jr.**, Pewaukee, Wis.

[73] Assignee: **Vaportek, Inc.**, Sussex, Wis.

[**] Term: **14 Years**

[21] Appl. No.: **15,032**

[22] Filed: **Oct. 15, 1993**

[52] U.S. Cl. D23/366;

[58] Field of Search D23/366-369, D23/355; 392/392, 403, 390; 239/57, 55, 58; 422/121; 261/DIG. 65

[56] **References Cited**

U.S. PATENT DOCUMENTS

D. 308,415	6/1990	Kunze	D23/366
D. 322,849	12/1991	Williams	D23/366
3,522,935	8/1970	Lewis	239/60
3,785,556	1/1974	Watkins	239/6
3,874,146	4/1975	Watkins	53/554

3,885,737	5/1975	Watkins	239/34
3,885,738	5/1975	Chesmel et al.	239/44
3,923,934	12/1975	Watkins	261/24
4,865,816	9/1989	Walz et al.	239/60

Primary Examiner—Lisa P. Lichtenstein
Attorney, Agent, or Firm—Quarles & Brady

[57] **CLAIM**

The ornamental design for an air treatment device enclosure, as shown.

DESCRIPTION

FIG. 1 is a top plan view of an air treatment device enclosure showing our new design;
FIG. 2 is a right side elevational view thereof;
FIG. 3 is a front elevational view thereof;
FIG. 4 is a rear elevational view thereof;
FIG. 5 is a left side elevational view thereof;
FIG. 6 is a bottom plan view thereof;
FIG. 7 is a view taken in the plane indicated by line 7—7 in FIG. 2, when the enclosure is open; and,
FIG. 8 is a perspective view showing our new design.

1 Claim, 4 Drawing Sheets

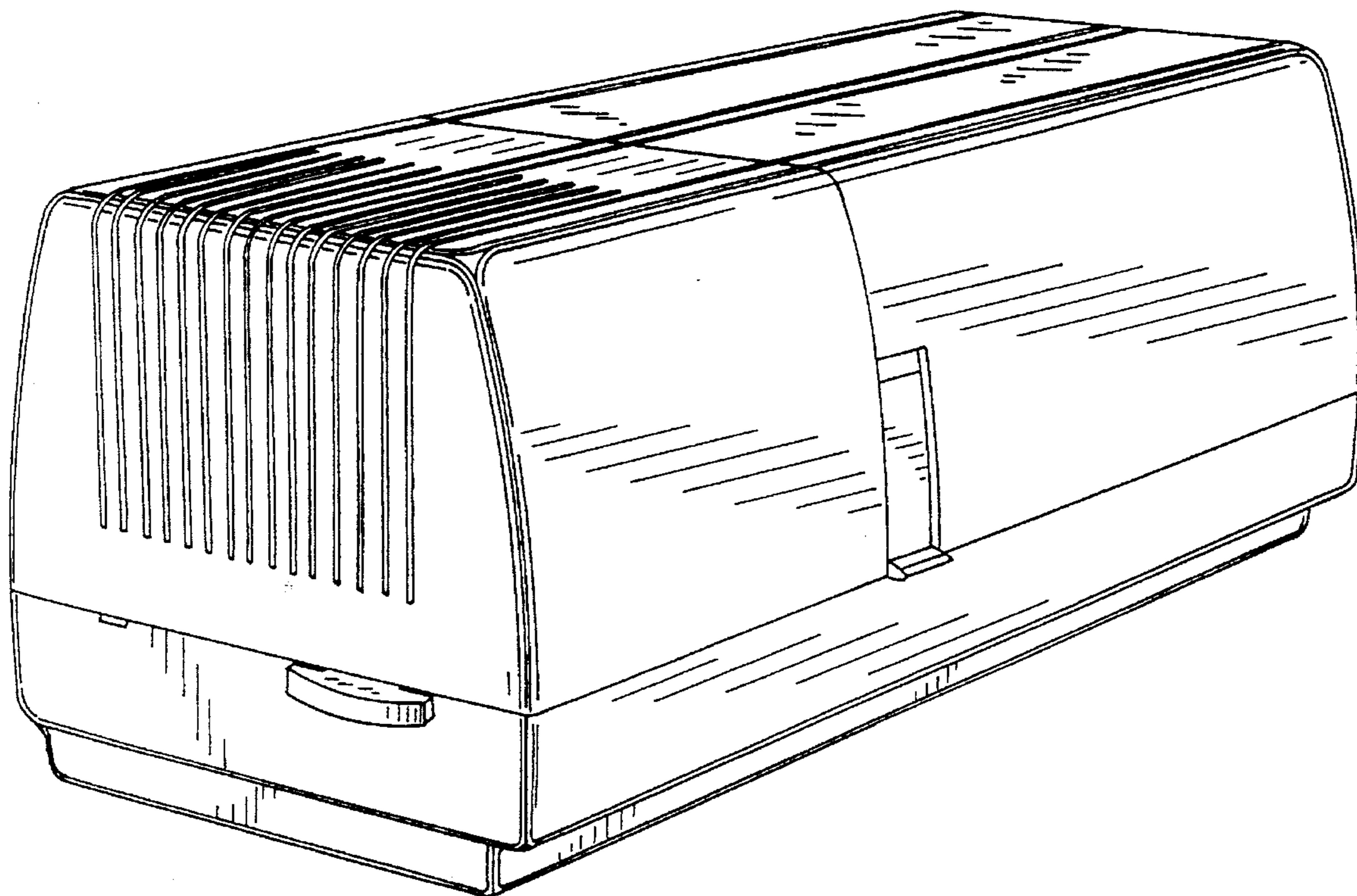


FIG. 1

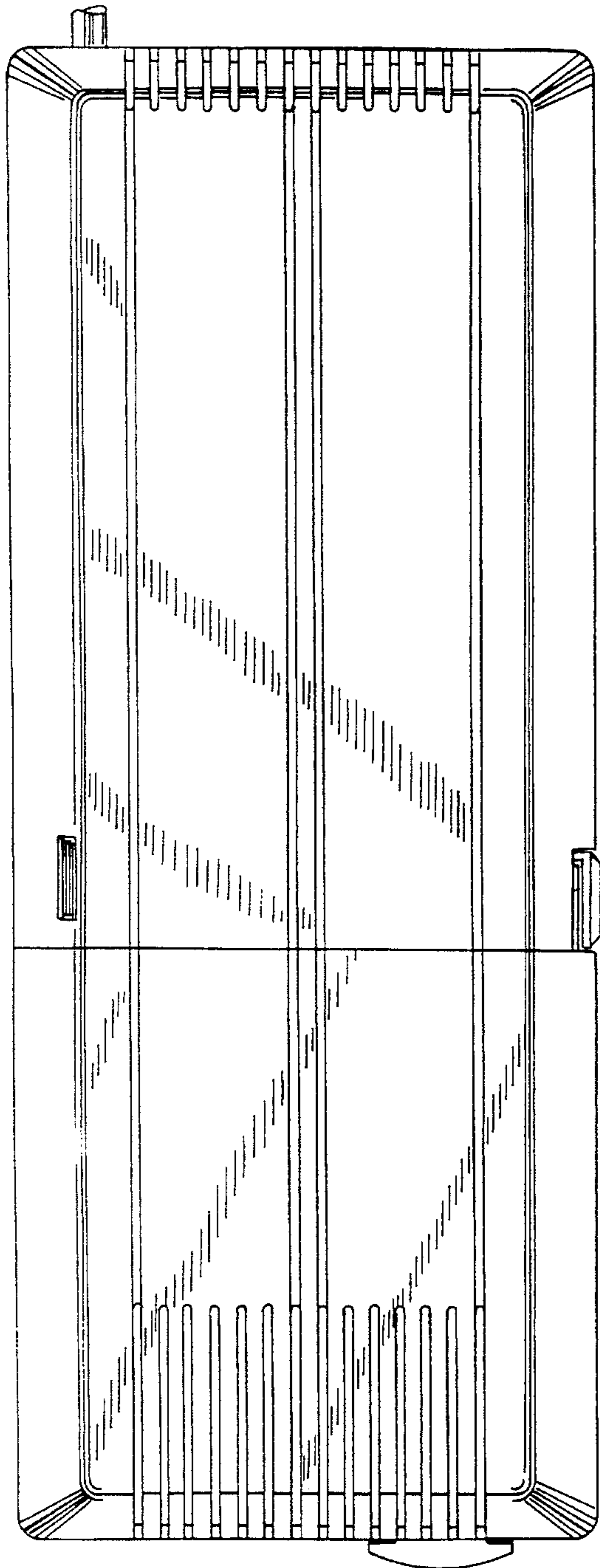
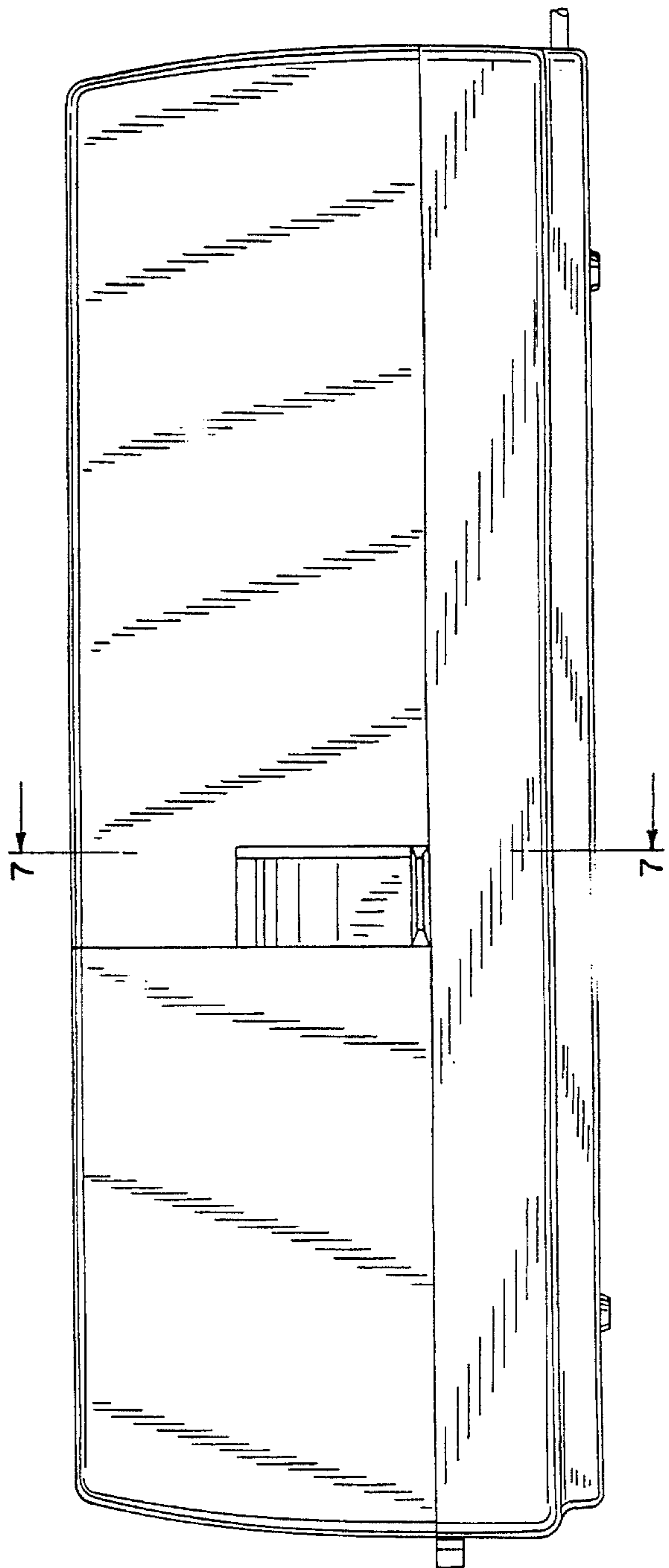


FIG. 2



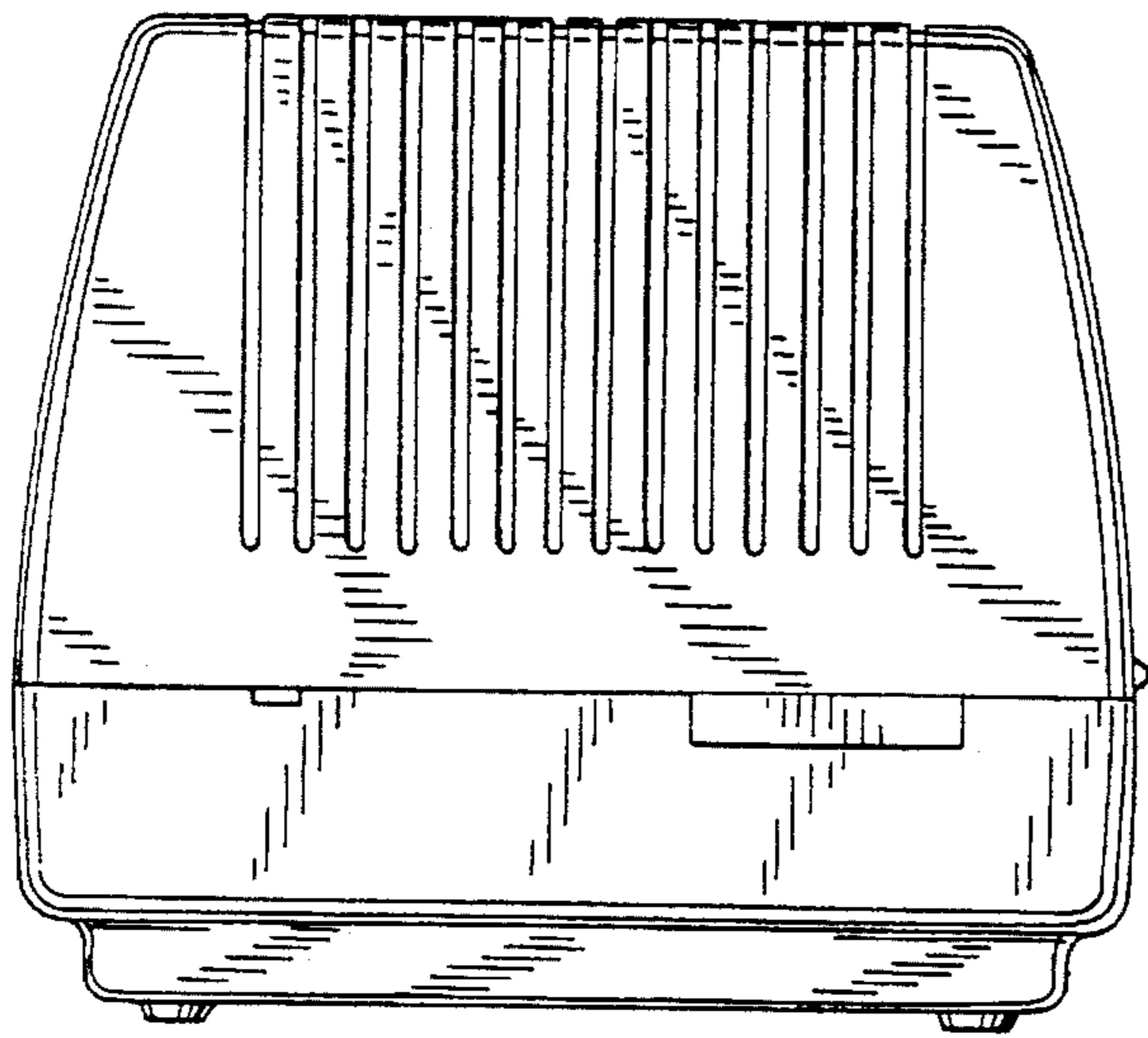


FIG. 3

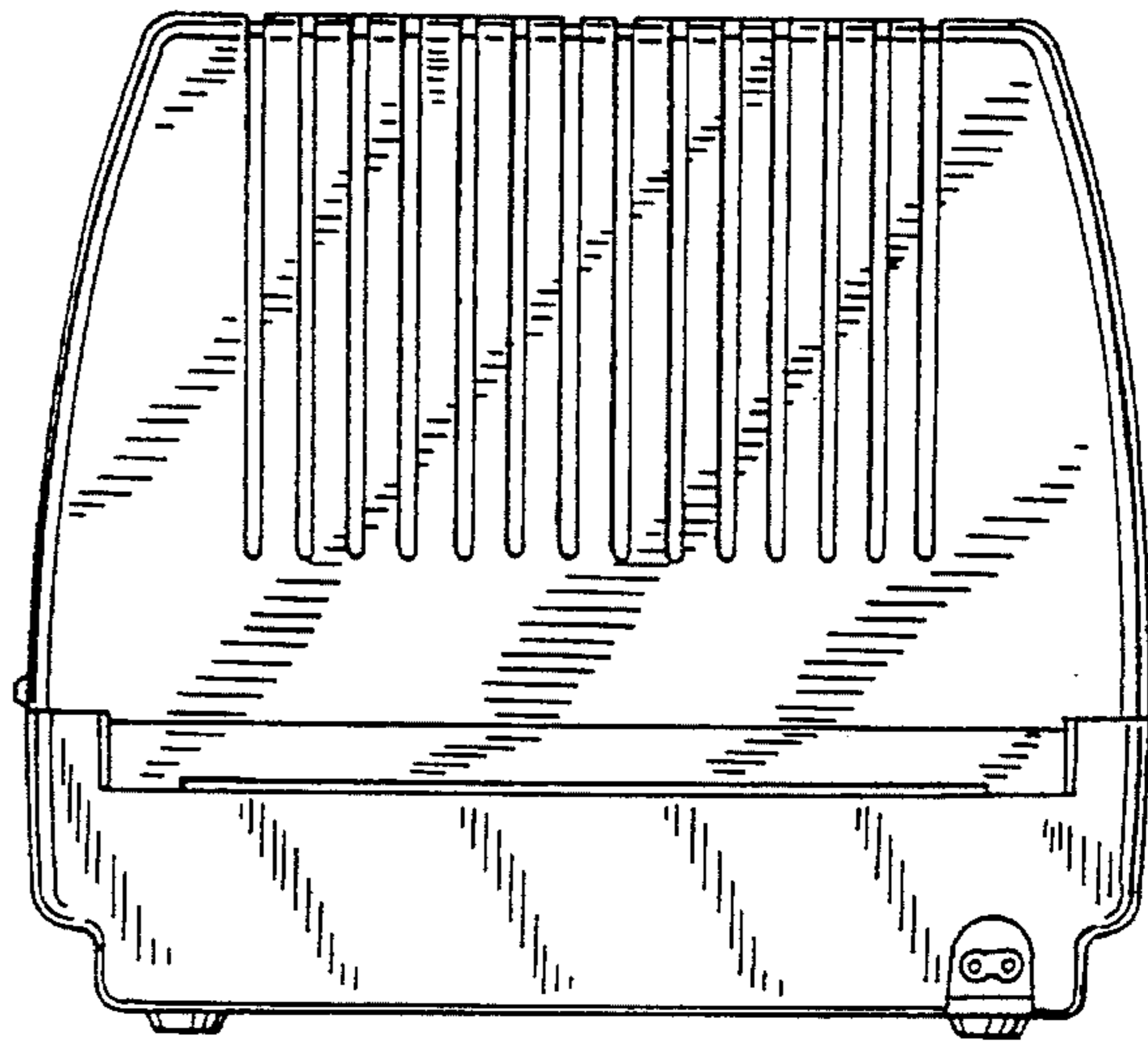


FIG. 4

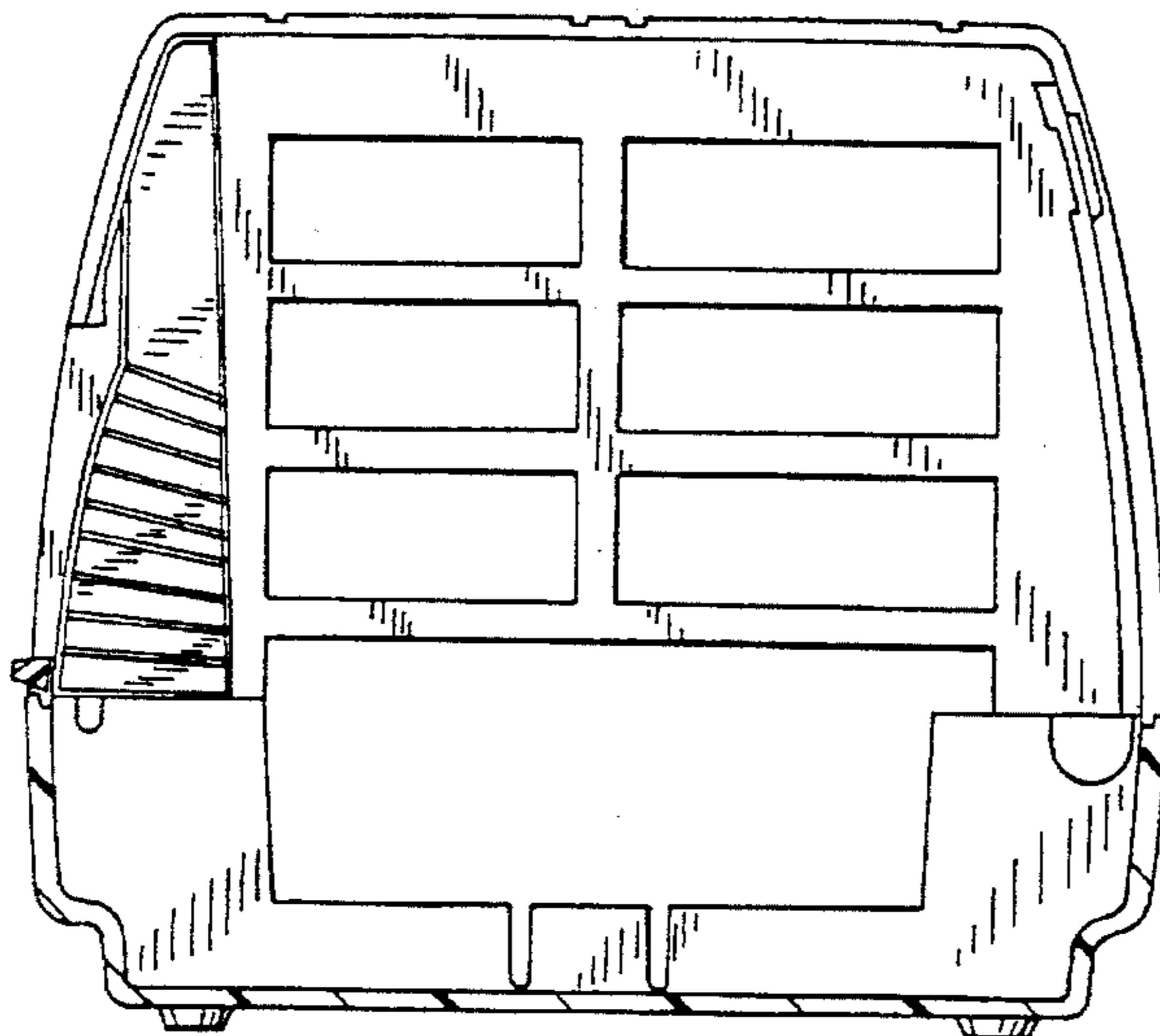


FIG. 7

FIG. 5

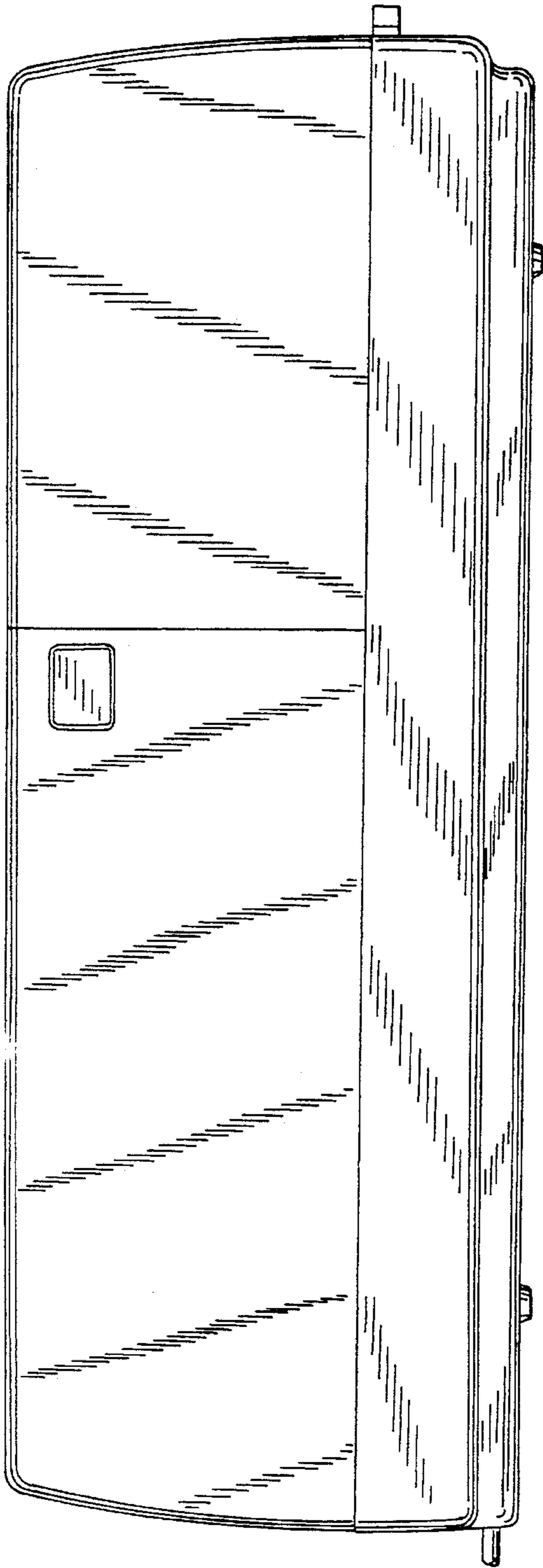


FIG. 6

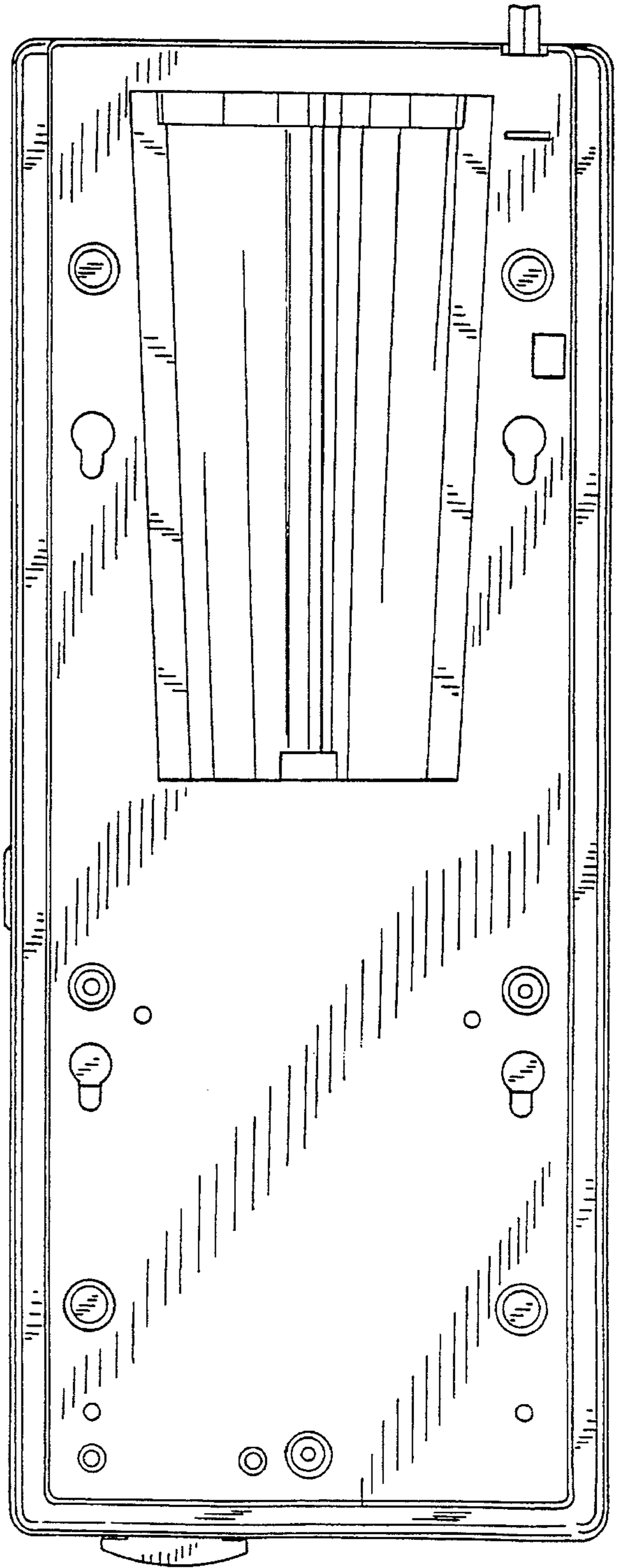


FIG. 8

