



US00D363771S

# United States Patent [19]

Mathers

[11] Patent Number: **Des. 363,771**

[45] Date of Patent: **\*\*Oct. 31, 1995**

[54] SEAL

[76] Inventor: **Norman I. Mathers**, P.O. Box 553,  
Zillmere, Queensland, Australia, 4034

[\*\*] Term: **14 Years**

[21] Appl. No.: **26,584**

[22] Filed: **Aug. 1, 1994**

### [30] Foreign Application Priority Data

Feb. 3, 1994 [AU] Australia ..... 255/94

[52] U.S. Cl. .... **D23/269**

[58] Field of Search ..... D23/260-265,  
D23/269; 285/95, 97, 99, 104, 105, 108,  
156

### [56] References Cited

#### U.S. PATENT DOCUMENTS

D. 292,308 10/1987 Beldran ..... D23/269

D. 296,581 7/1988 Hottoro ..... D23/262  
2,837,112 6/1958 Foley ..... 285/95 X  
3,314,695 4/1967 Perry ..... 285/95

*Primary Examiner*—Stella Reid  
*Assistant Examiner*—Eric Watterson  
*Attorney, Agent, or Firm*—Panitch Schwarze Jacobs &  
Nadel

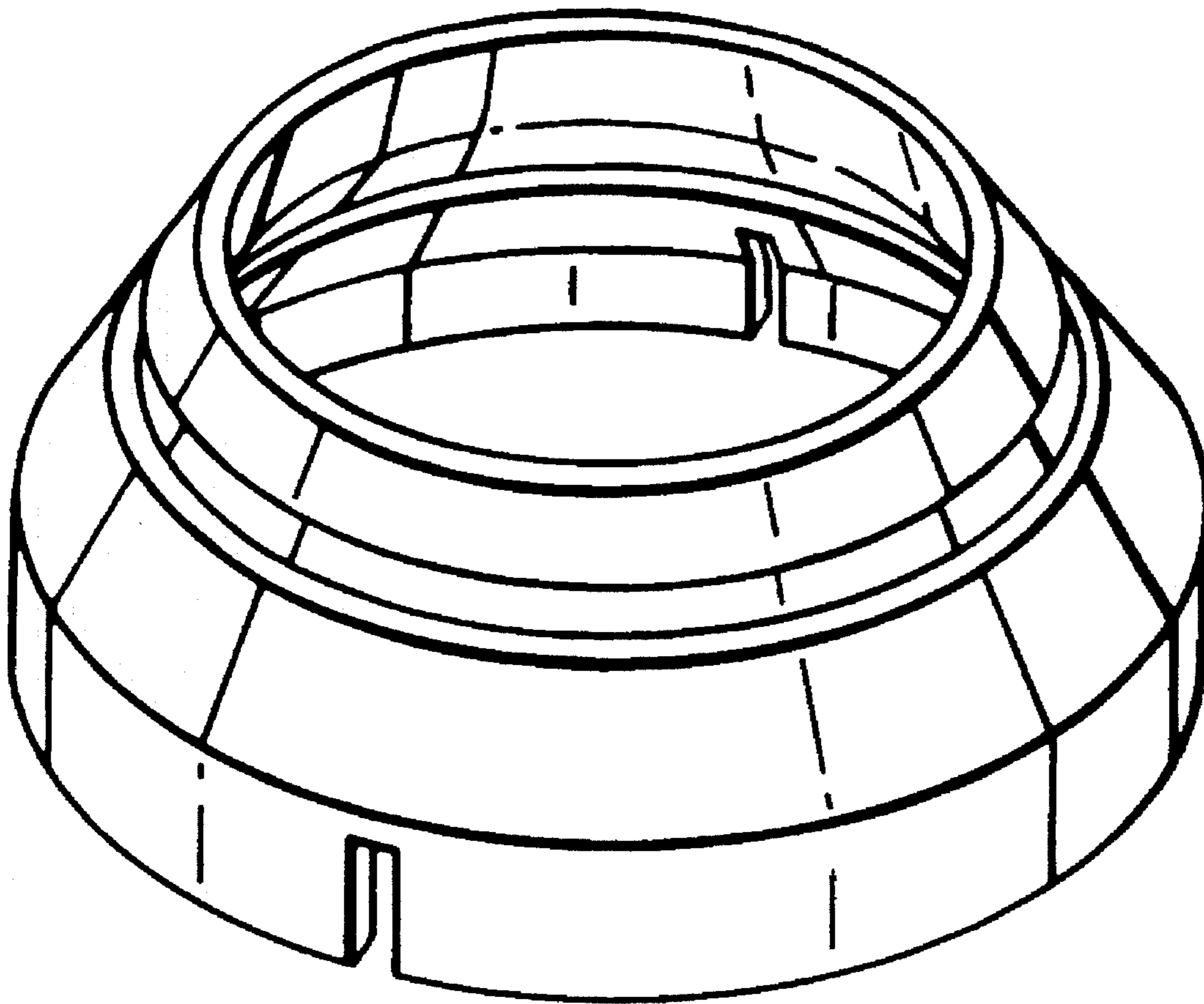
### [57] CLAIM

The ornamental design for a seal, as shown.

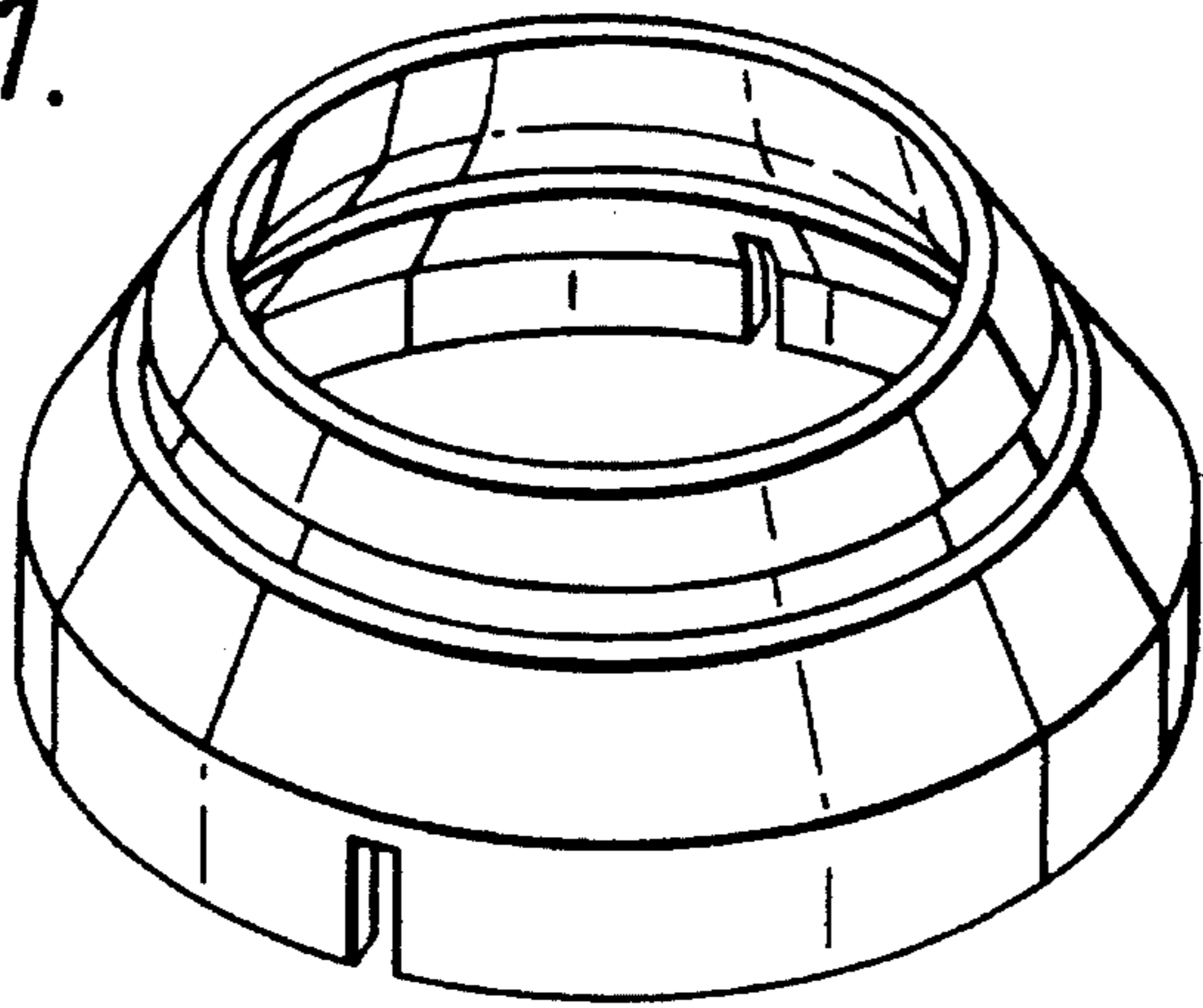
### DESCRIPTION

FIG. 1 is a top perspective of a seal, showing my new design;  
FIG. 2 is a bottom plan view thereof;  
FIG. 3 is a side elevational view, the opposite side being a  
mirror image thereof; and,  
FIG. 4 is a cross-sectional view taken along line IV—IV of  
FIG. 2.

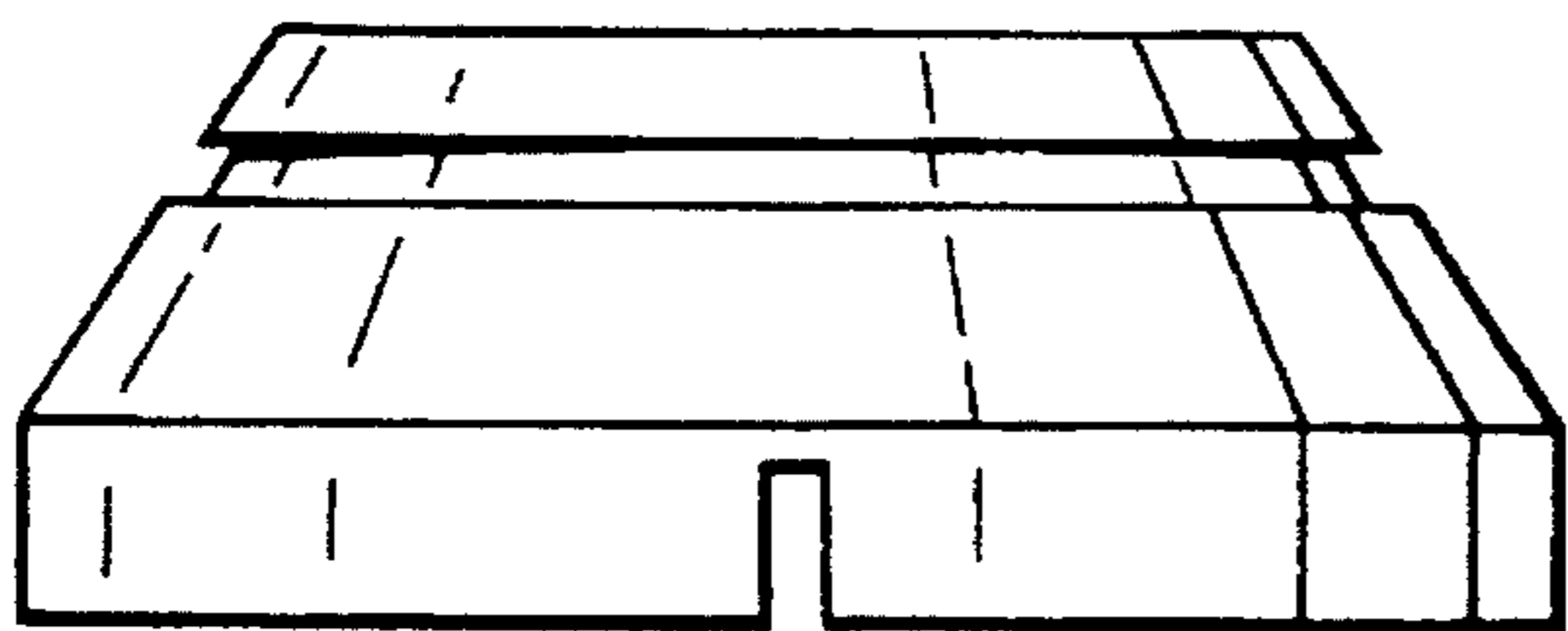
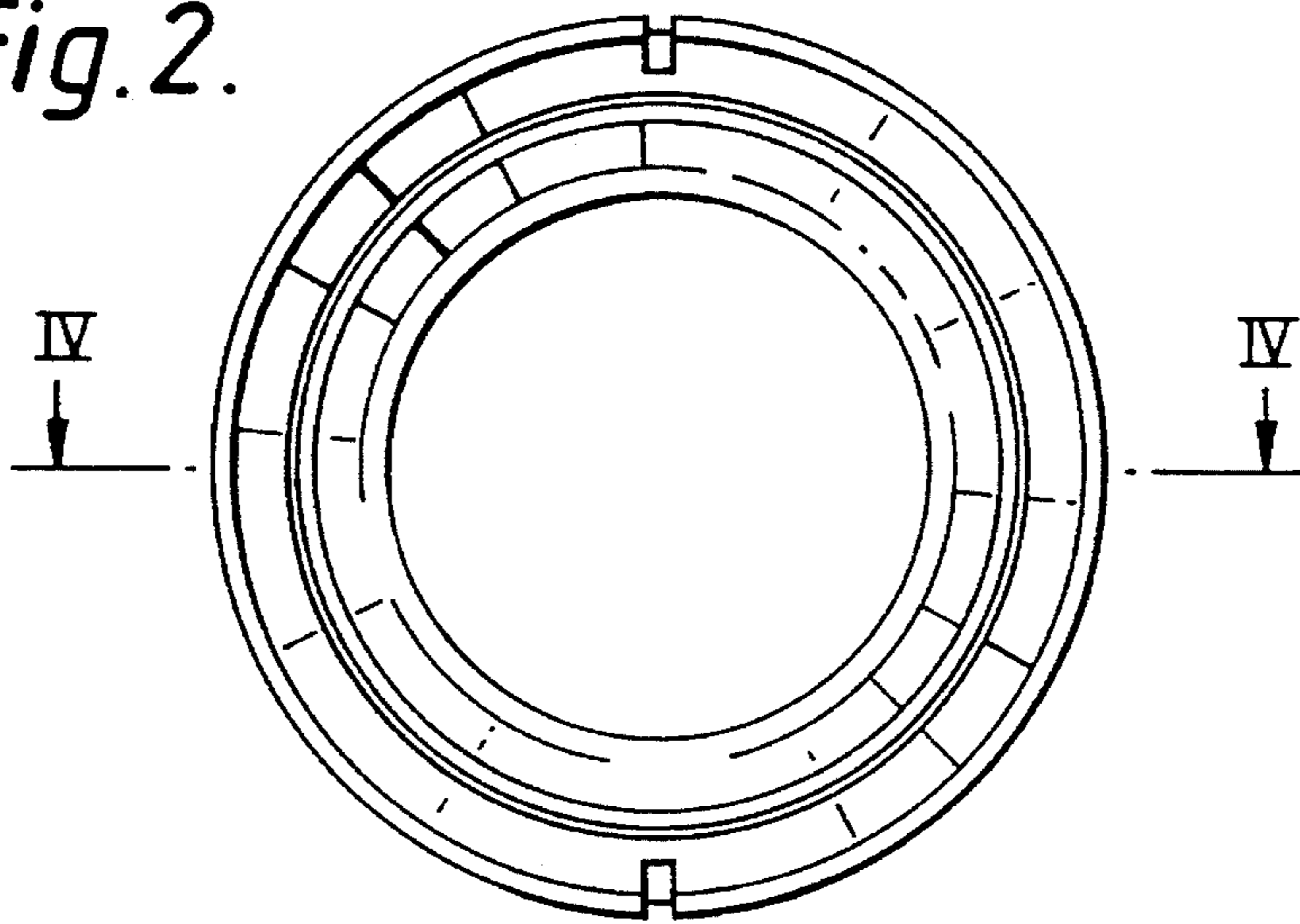
1 Claim, 1 Drawing Sheet



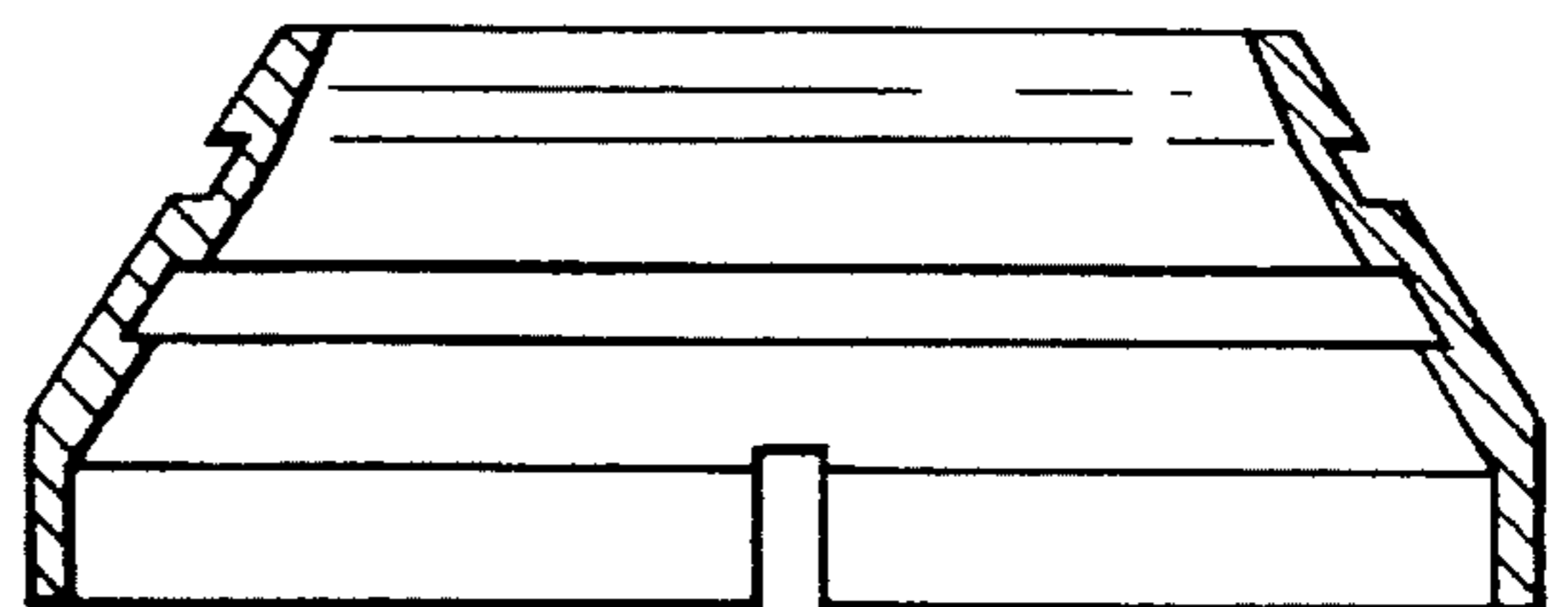
*Fig. 1.*



*Fig. 2.*



*Fig. 3.*



*Fig. 4.*