



US00D363770S

United States Patent [19] Junkers

[11] Patent Number: **Des. 363,770**

[45] Date of Patent: ****Oct. 31, 1995**

[54] **CONNECTOR FOR FLUID-OPERATED TOOLS**

[76] Inventor: **John K. Junkers**, 7 Arrowhead La., Saddle River, N.J. 07540

[**] Term: **14 Years**

[21] Appl. No.: **24,906**

[22] Filed: **Jun. 23, 1994**

[52] U.S. Cl. **D23/262**

[58] Field of Search D23/259, 260, D23/262, 265, 266; 285/158, 190; 138/DIG. 11

[56] **References Cited**

U.S. PATENT DOCUMENTS

4,672,998	6/1987	Kozak, III	285/190	X
4,687,235	8/1987	Stoll	285/158	X
5,052,724	10/1991	Konrad et al.	285/190	
5,372,389	12/1994	Tam et al.	285/190	X

Primary Examiner—Stella Reid

Assistant Examiner—Eric Watterson
Attorney, Agent, or Firm—Michael J. Striker

[57] **CLAIM**

The ornamental design for a connector for fluid-operated tools, as shown and described.

DESCRIPTION

FIG. 1 is a perspective view of a connector for fluid-operated tools showing my new design;

FIG. 2 is a top plan view thereof;

FIG. 3 is a side elevational view thereof;

FIG. 4 is a side elevational view thereof, opposite that shown in FIG. 3;

FIG. 5 is a side elevational view, the opposite side being a mirror image thereof; and,

FIG. 6 is a bottom plan view thereof.

The broken line showing in FIG. 5 is for illustrative purposes only and forms no part of the claimed design.

1 Claim, 2 Drawing Sheets

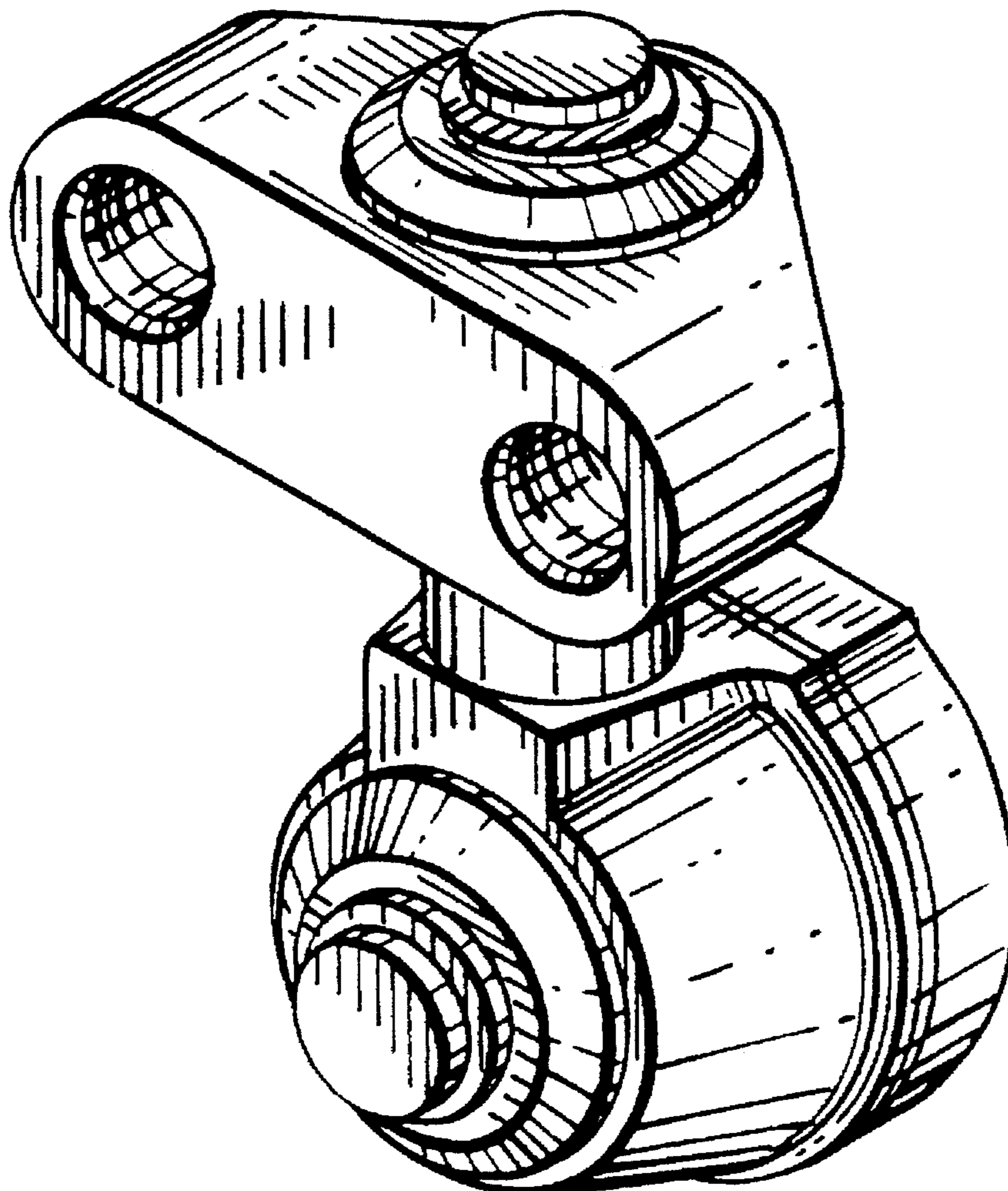


FIG. 1

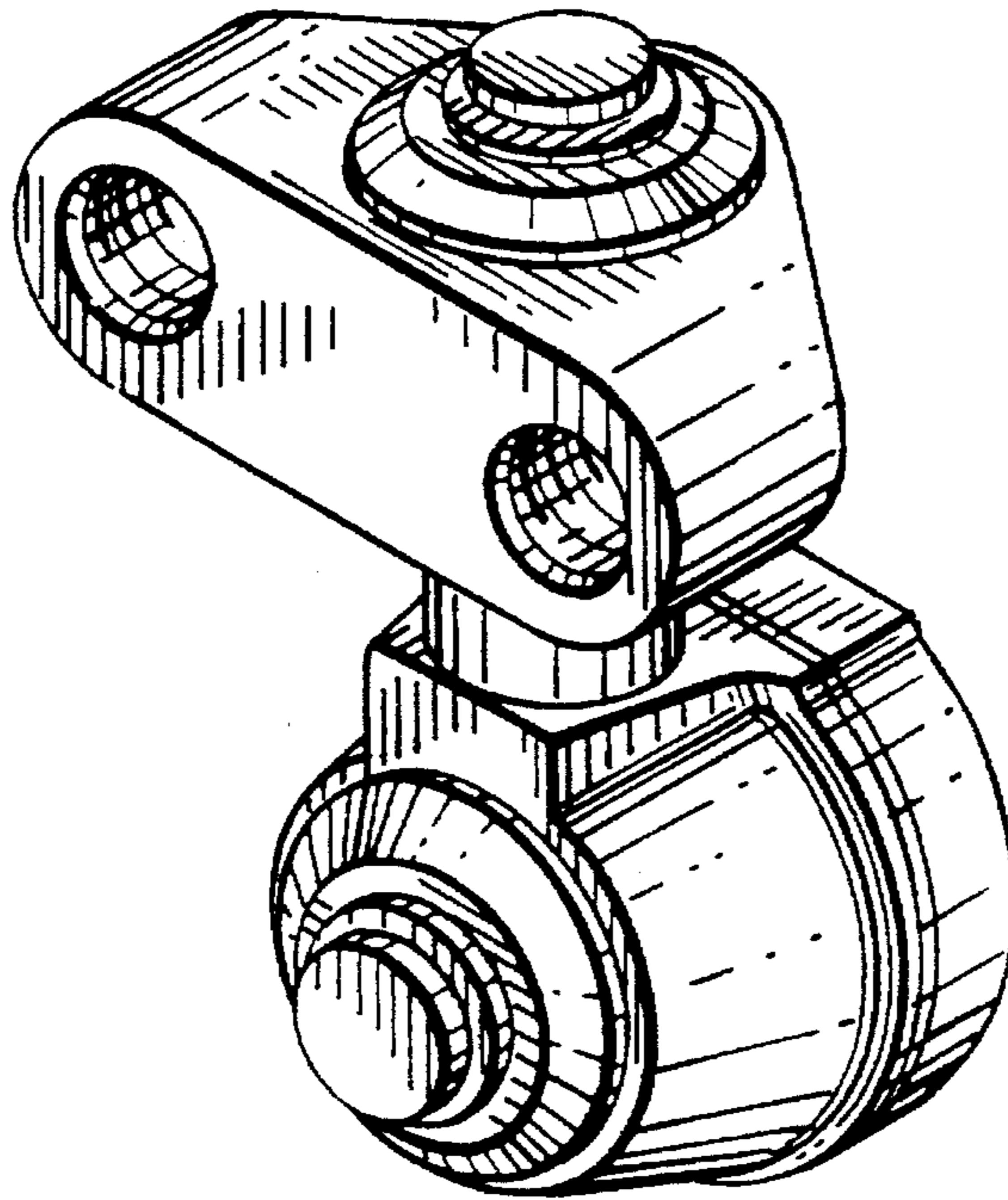


FIG. 2

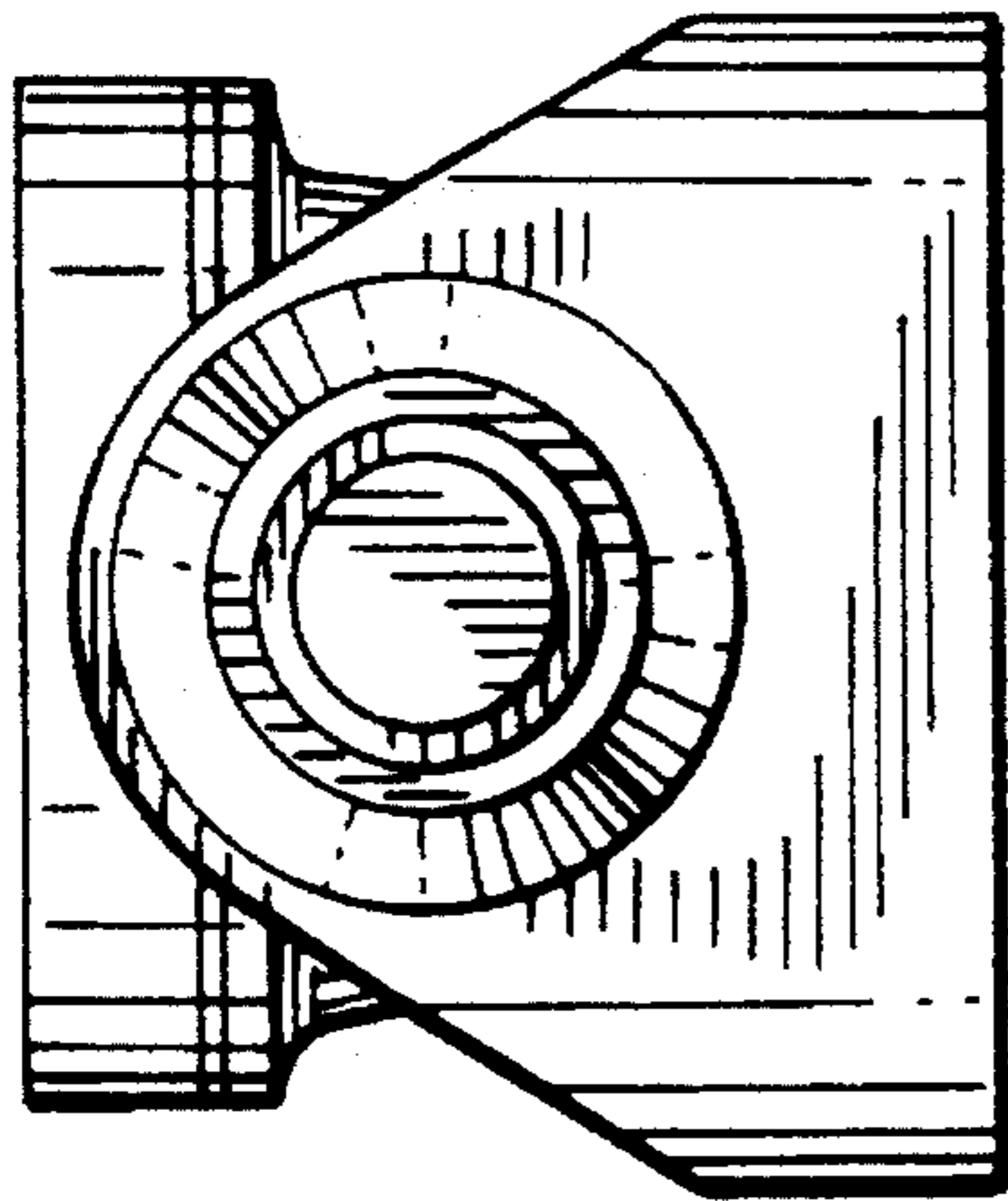


FIG. 3

