



US00D363769S

United States Patent [19]

Phillips et al.

[11] Patent Number: Des. 363,769

[45] Date of Patent: **Oct. 31, 1995

[54] WATER RELIEF VALVE FOR A DRAINAGE SYSTEM

[76] Inventors: Trevor J. Phillips; James E. Petrie, both of 851 N. Harvard, Lindsay, Calif. 93247

[**] Term: 14 Years

[21] Appl. No.: 16,534

[22] Filed: Dec. 17, 1993

[52] U.S. Cl. D23/261

[58] Field of Search D23/260, 261, D23/262; 137/356, 357, 533.27, 533.29, 533.31; 239/201, 208, 453, 454

[56] **References Cited**

U.S. PATENT DOCUMENTS

2,751,250	6/1956	Block	239/201
4,161,186	7/1979	Sitar	239/201 X
5,209,257	5/1993	Baker, Jr.	137/533.31 X

Primary Examiner—Lou Zarfaz
Assistant Examiner—E. Watterson
Attorney, Agent, or Firm—Richard D. Slehofer

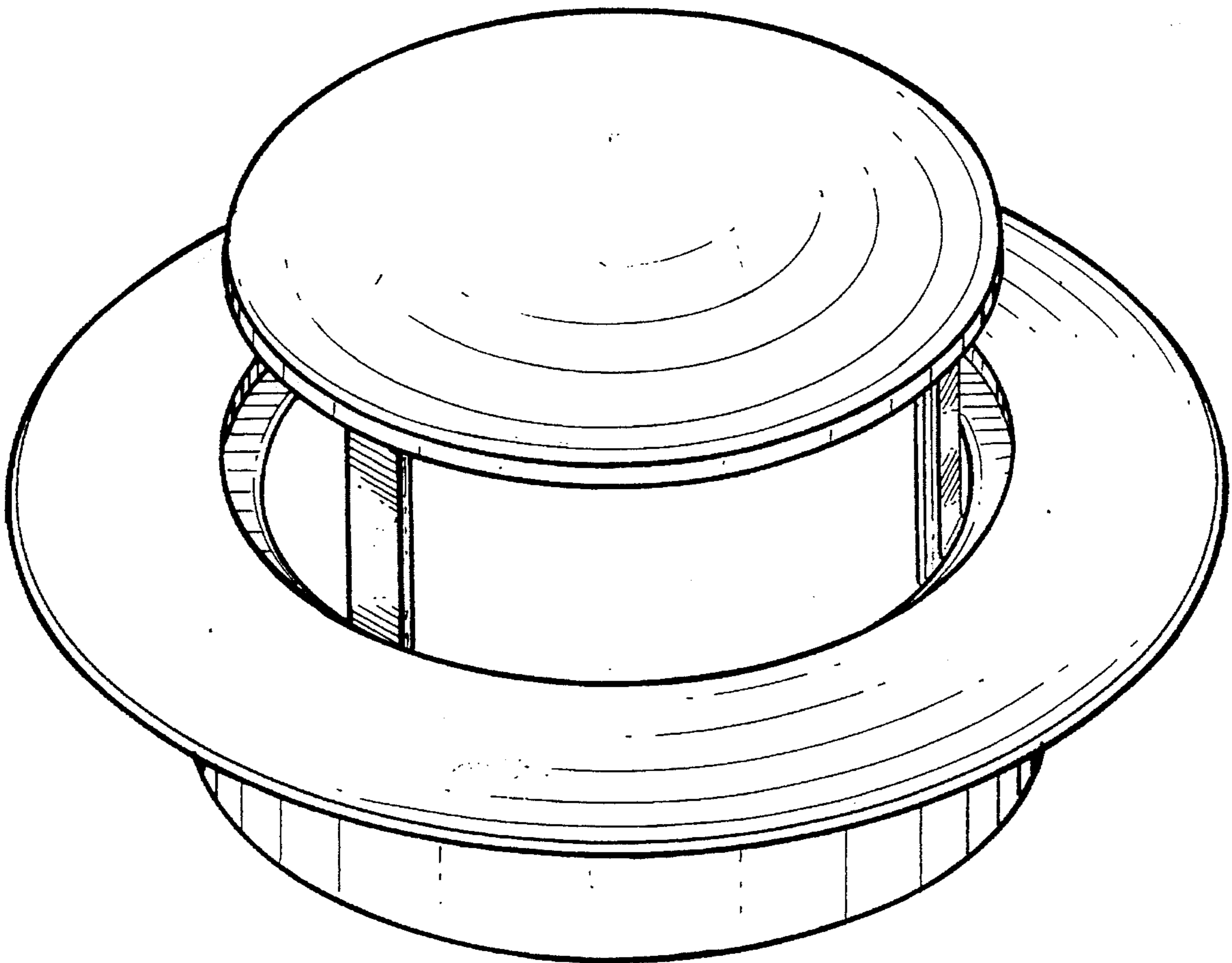
[57] CLAIM

The ornamental design for a water relief valve for a drainage system, as shown and described.

DESCRIPTION

FIG. 1 is a perspective view of a water relief valve for a drainage system showing our new design in the open position;
FIG. 2 is a perspective view of our new design in the closed position;
FIG. 3 is a top plan view thereof;
FIG. 4 is a bottom plan view thereof;
FIG. 5 is a side elevational plan view thereof, the opposite side being a mirror image thereof, showing our new design in the open position;
FIG. 6 is a side elevational view thereof, the opposite side being a mirror image thereof, showing our new design in the closed position;
FIG. 7 is a bottom perspective view of our new design in the closed position;
FIG. 8 is a bottom perspective view of our new design in the open position; and,
FIG. 9 is a vertical medial sectional view of our new design as shown in FIG. 5.

1 Claim, 6 Drawing Sheets



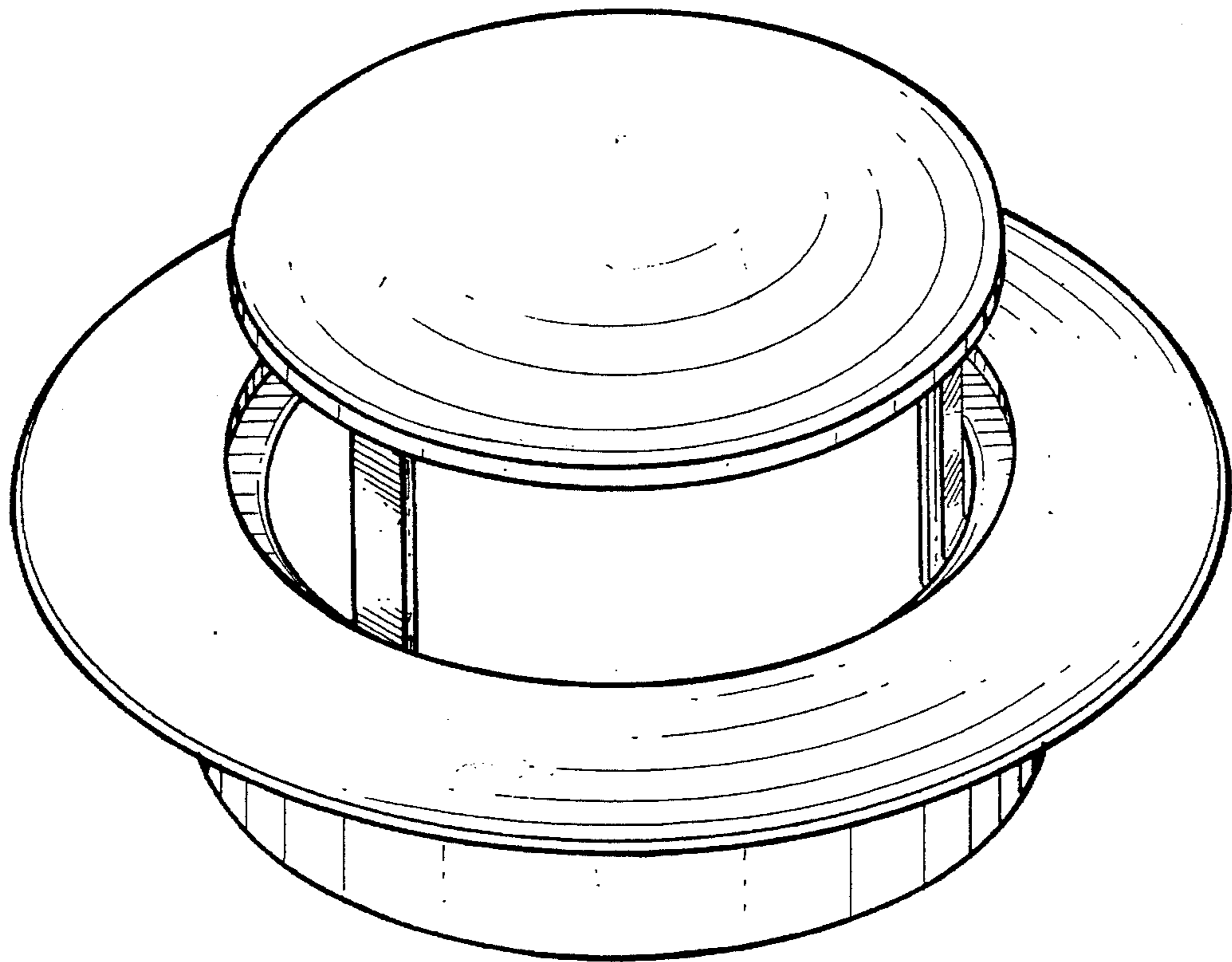


FIG. 1

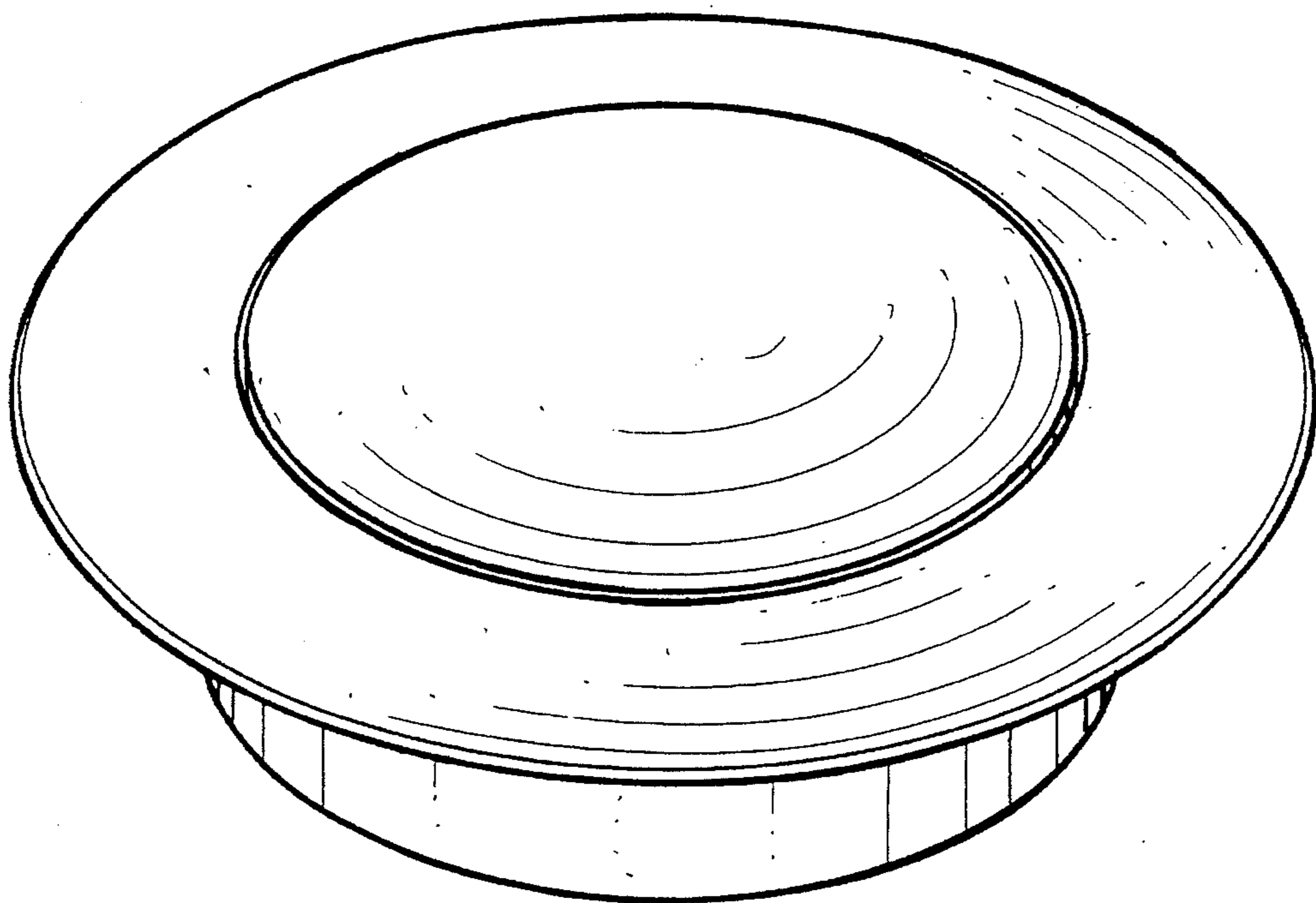


FIG. 2

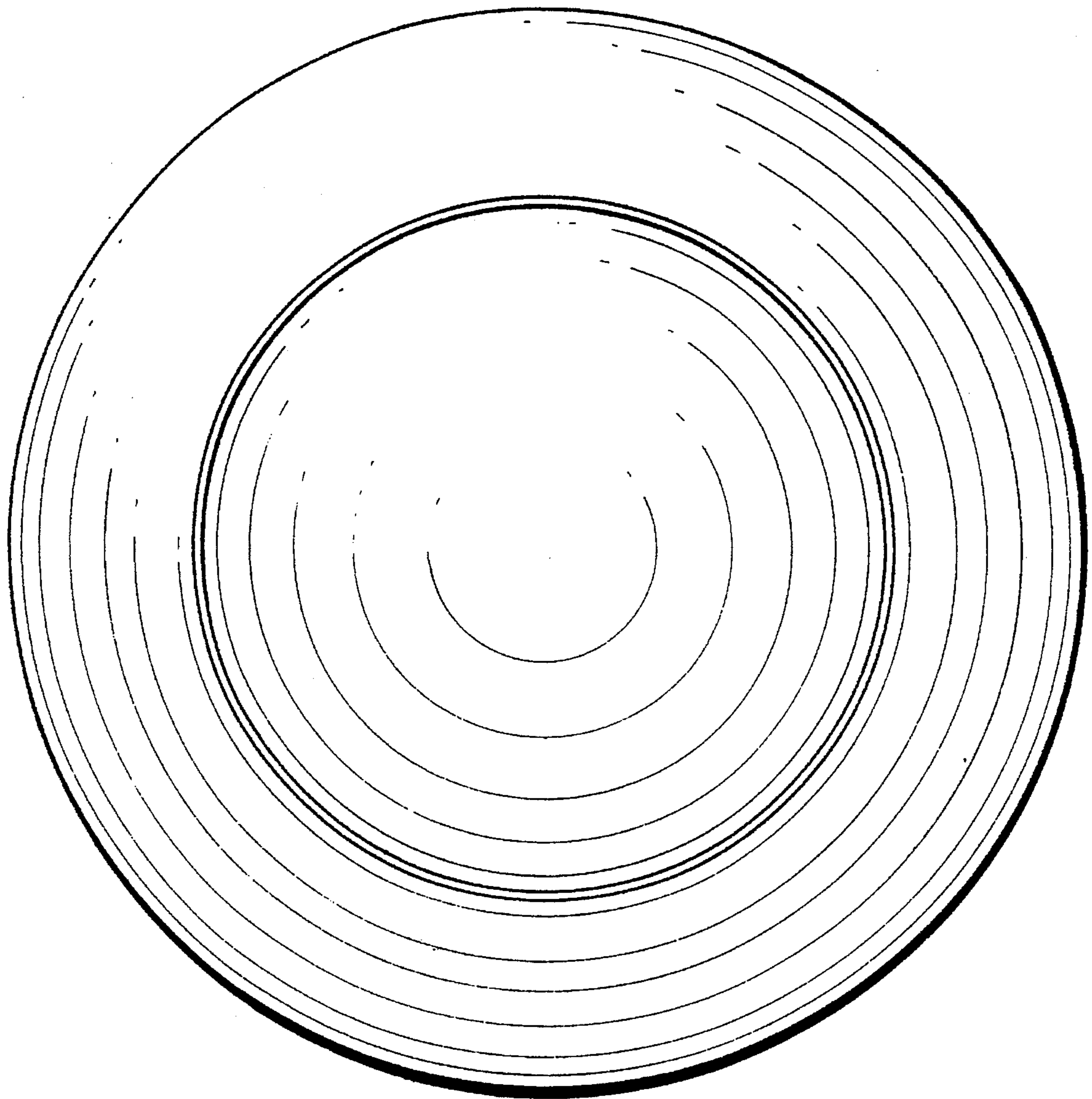


FIG. 3

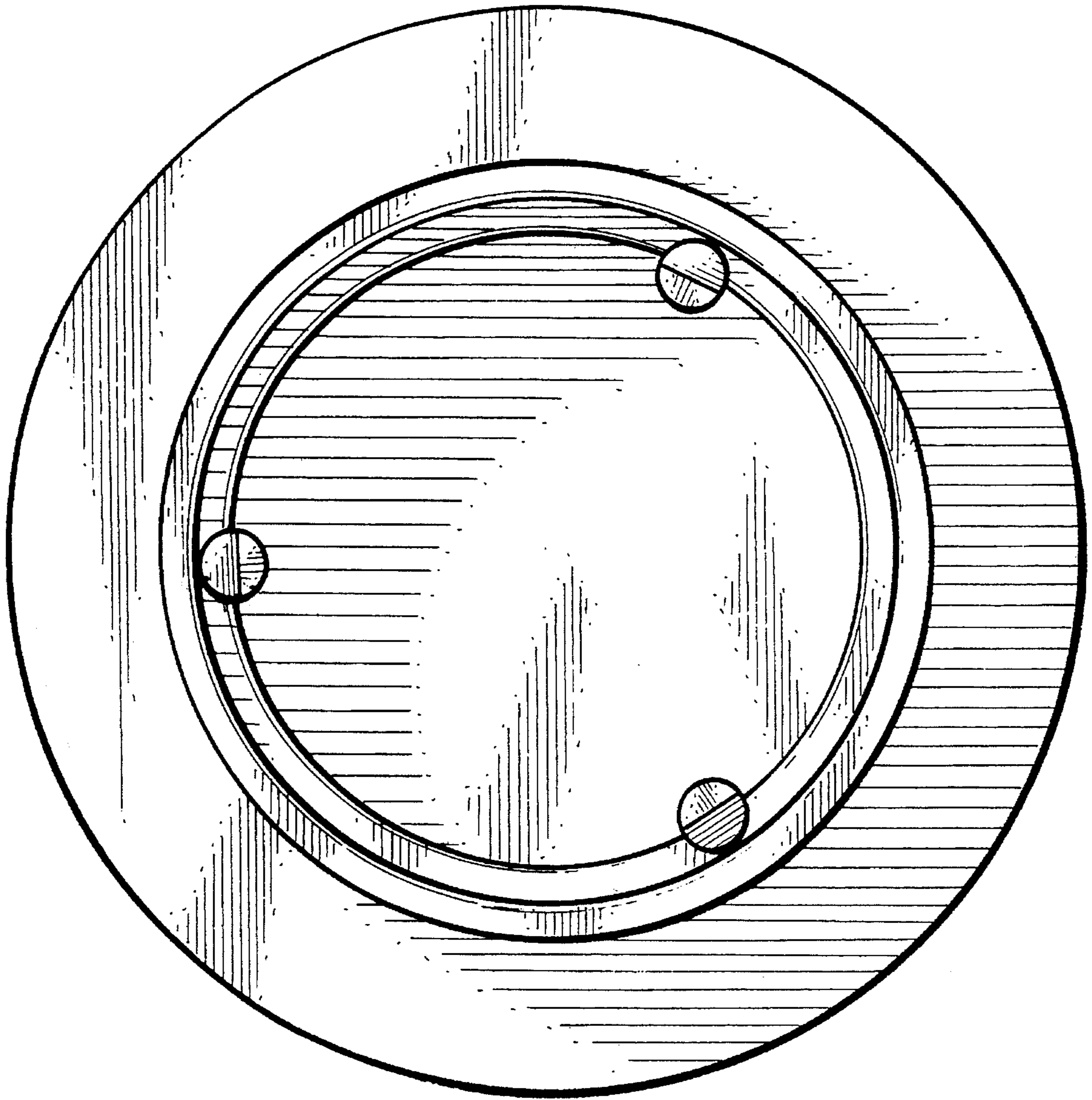


FIG. 4

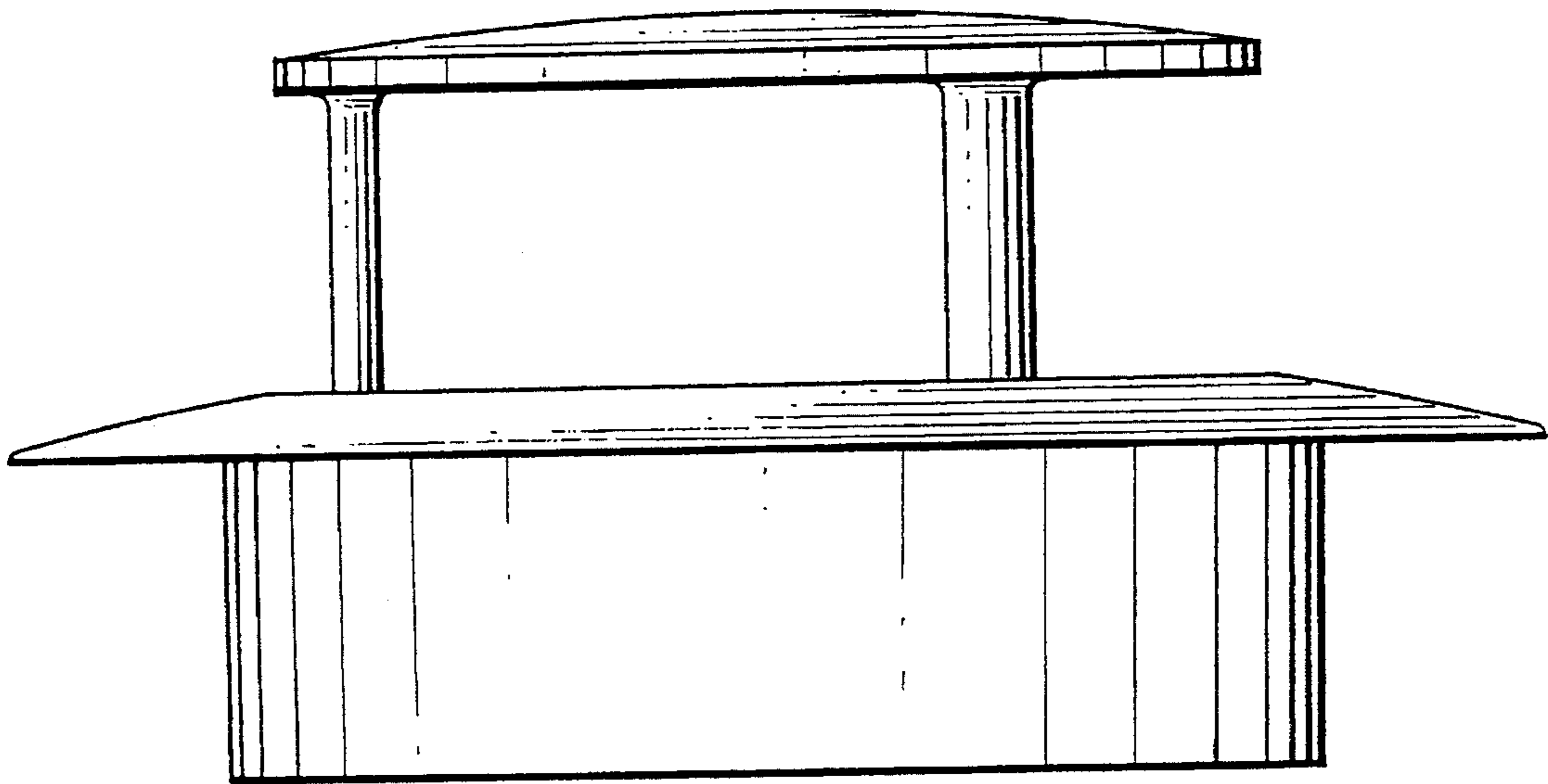


FIG. 5

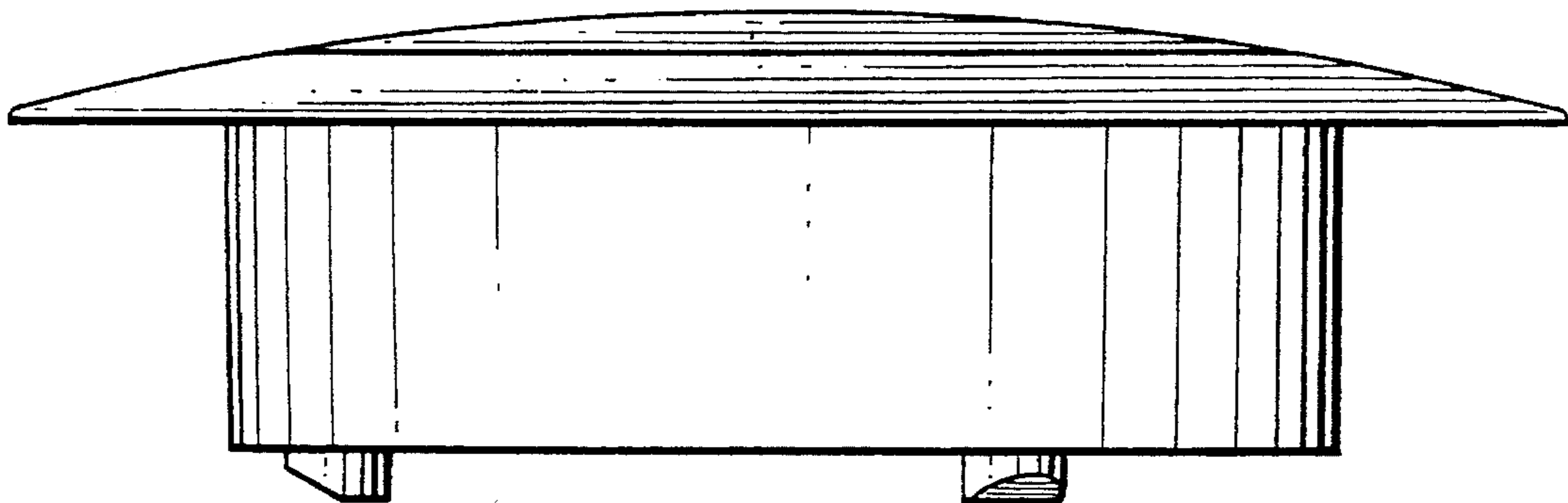


FIG. 6

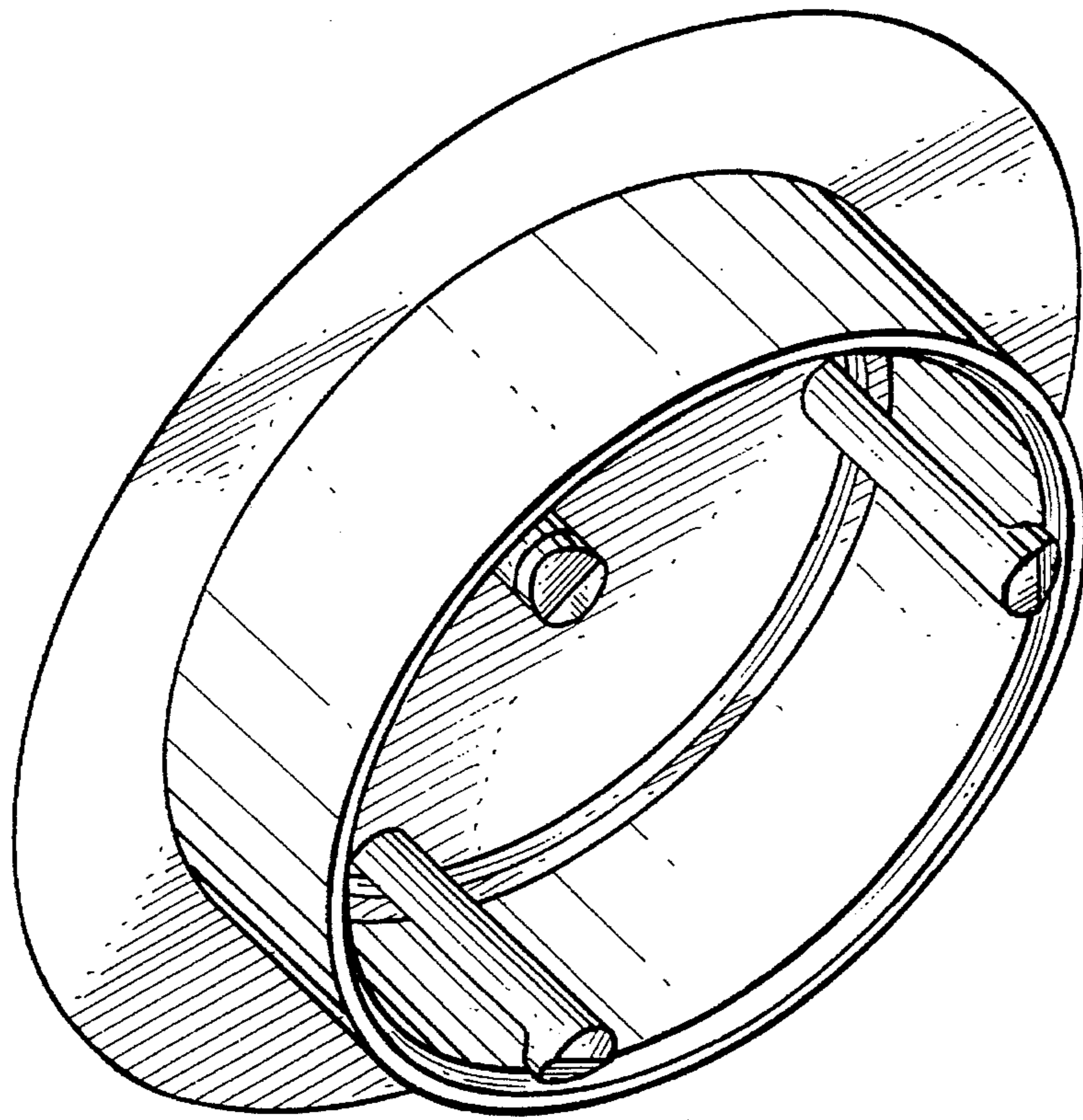


FIG. 7

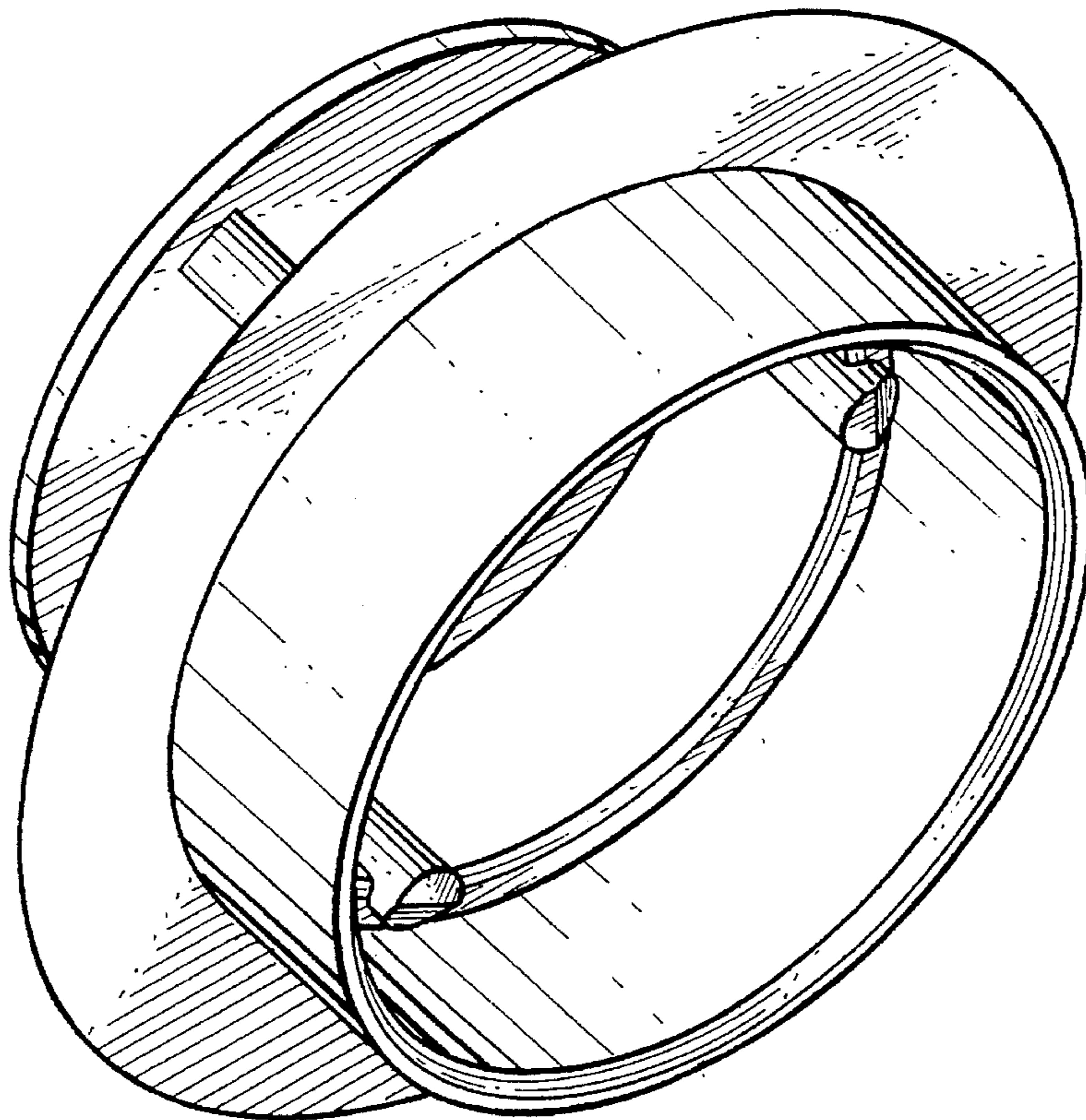


FIG. 8

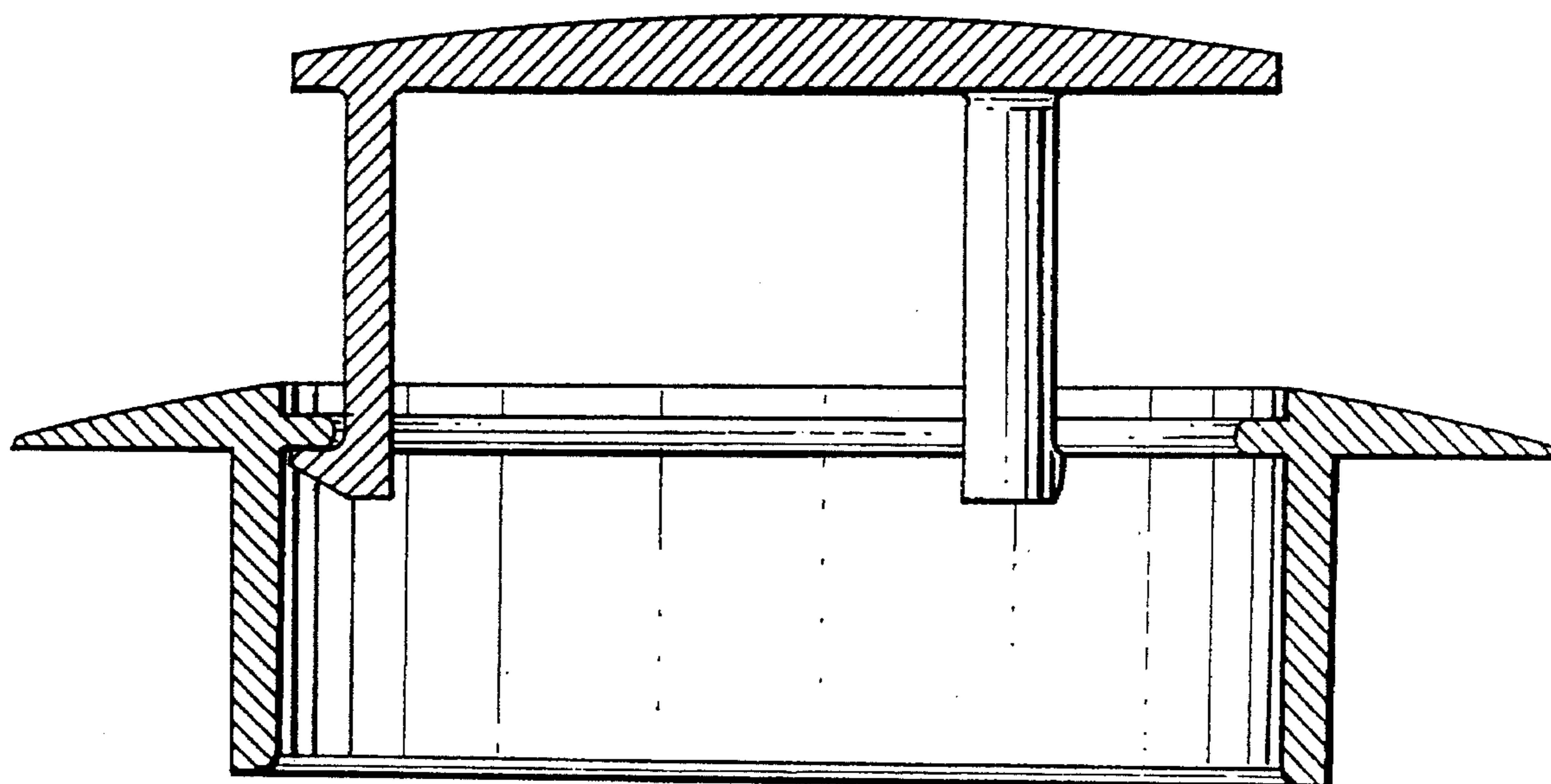


FIG. 9