



US00D363768S

United States Patent [19]
Morgan

[11] **Patent Number: Des. 363,768**

[45] **Date of Patent: **Oct. 31, 1995**

[54] **FLOOR DRAIN PROTECTIVE CAP**

[76] Inventor: **George M. Morgan**, 15658 Reeder,
Overland Park, Kans. 66212

[**] Term: **14 Years**

[21] Appl. No.: **26,903**

[22] Filed: **Aug. 9, 1994**

[52] U.S. Cl. **D23/260**

[58] Field of Search D23/260, 261;
4/286, 287, 295; 285/44

[56] **References Cited**

U.S. PATENT DOCUMENTS

2,896,223	7/1959	Treslo	4/286
3,949,433	4/1976	Lion	4/295
5,184,698	2/1983	Coffenberry	4/295 X
5,208,921	5/1993	Dicoll	4/286

Primary Examiner—Stella Reid
Assistant Examiner—E. Watterson
Attorney, Agent, or Firm—Hovey, Williams, Timmons & Collins

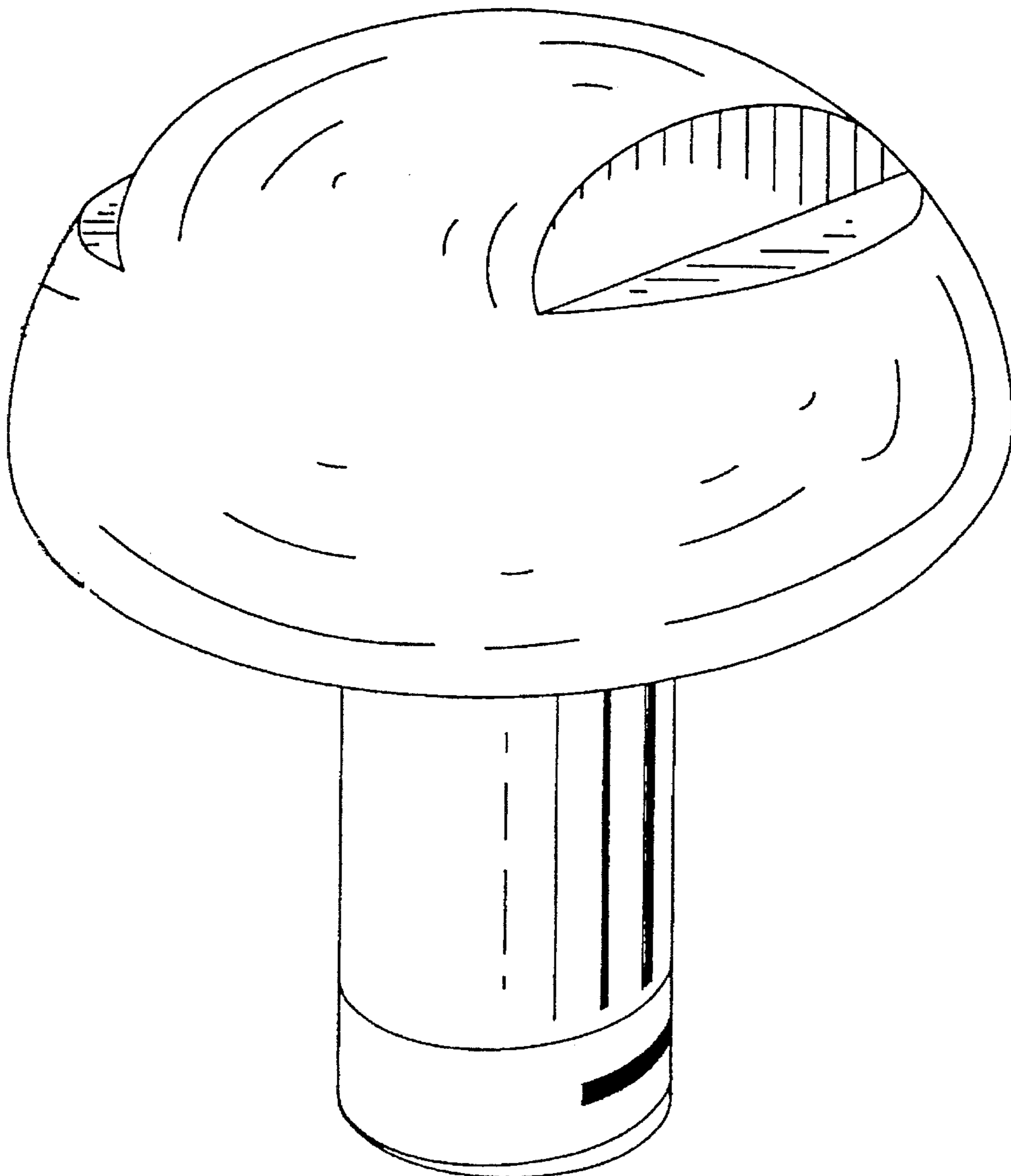
[57] **CLAIM**

The ornamental design for a floor drain protective cap, as shown and described.

DESCRIPTION

FIG. 1 is a top left perspective view;
FIG. 2 is a side elevational view;
FIG. 3 is a side elevational view showing the side opposite to that shown in FIG. 2;
FIG. 4 is a top plan view; and,
FIG. 5 is a bottom plan view.

1 Claim, 2 Drawing Sheets



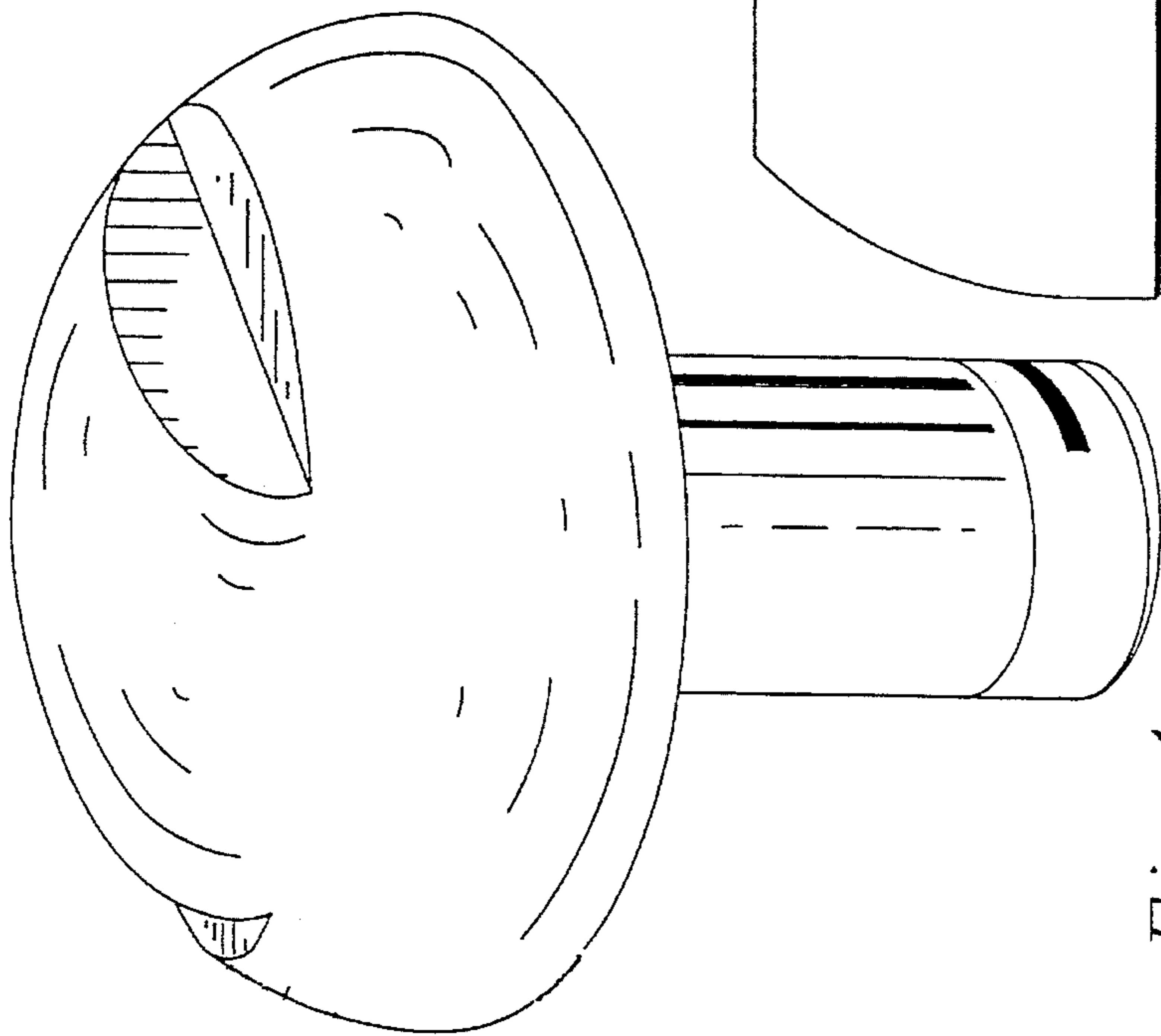


Fig. 1.

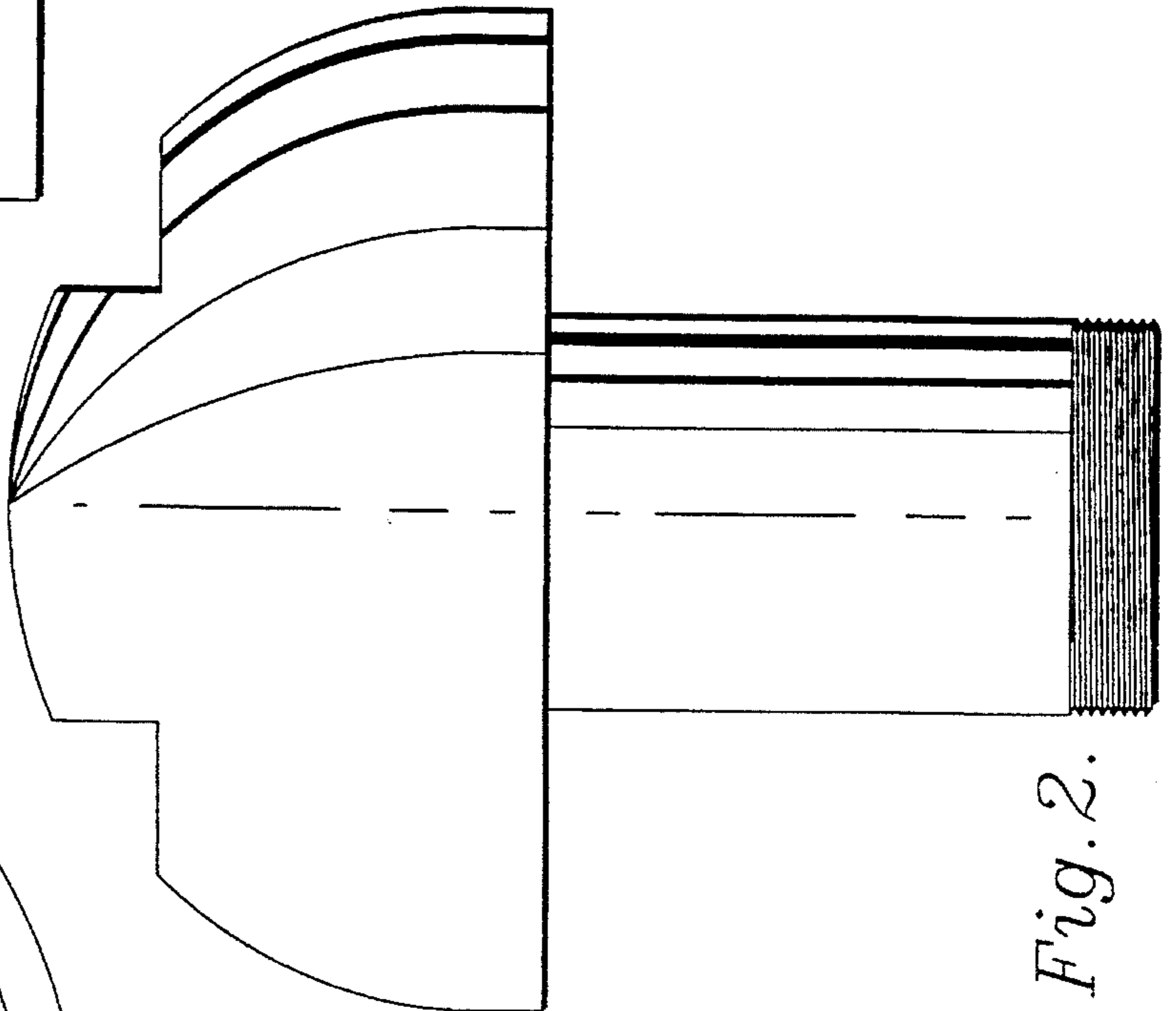


Fig. 2.

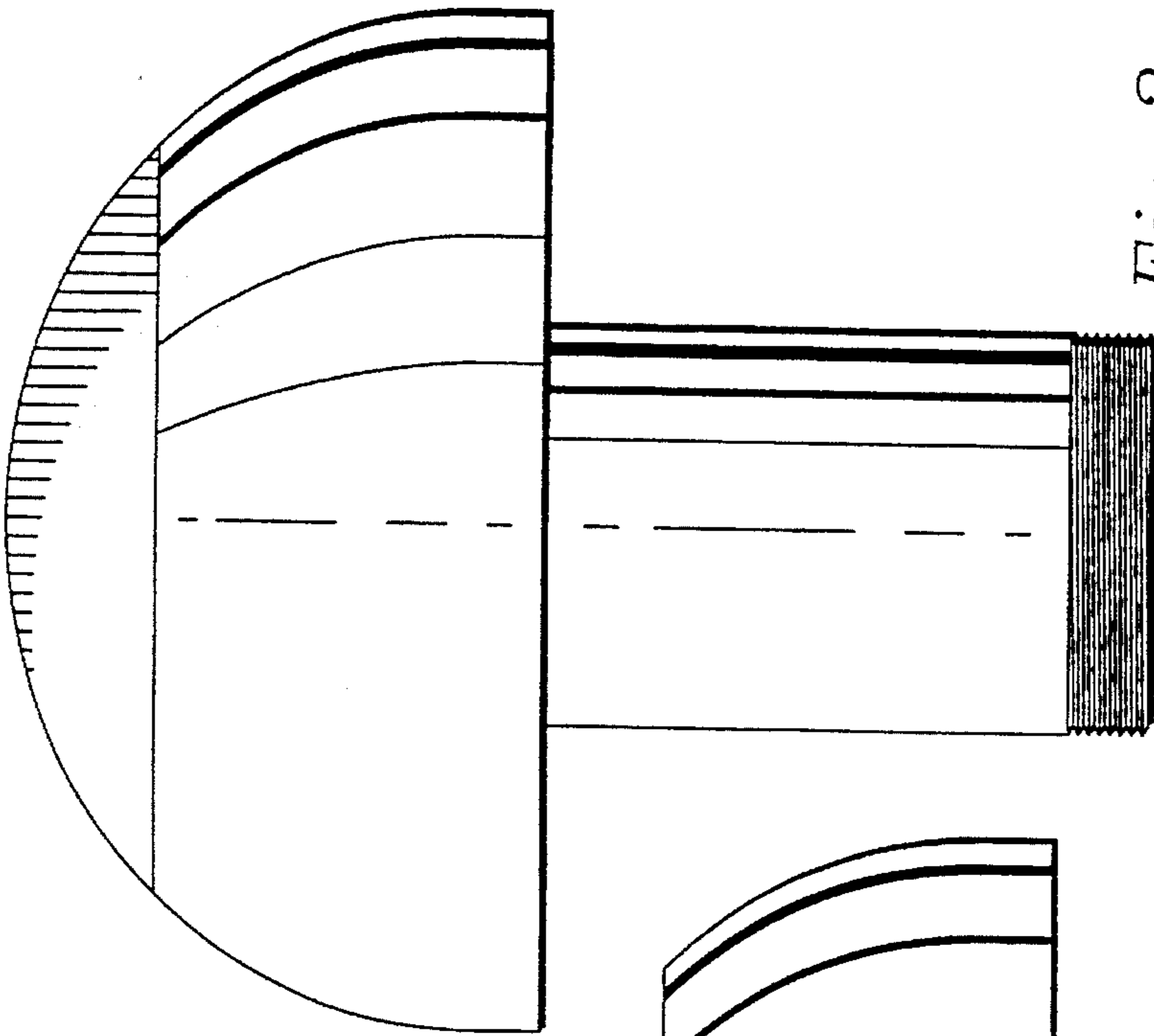


Fig. 3.

Fig. 5.

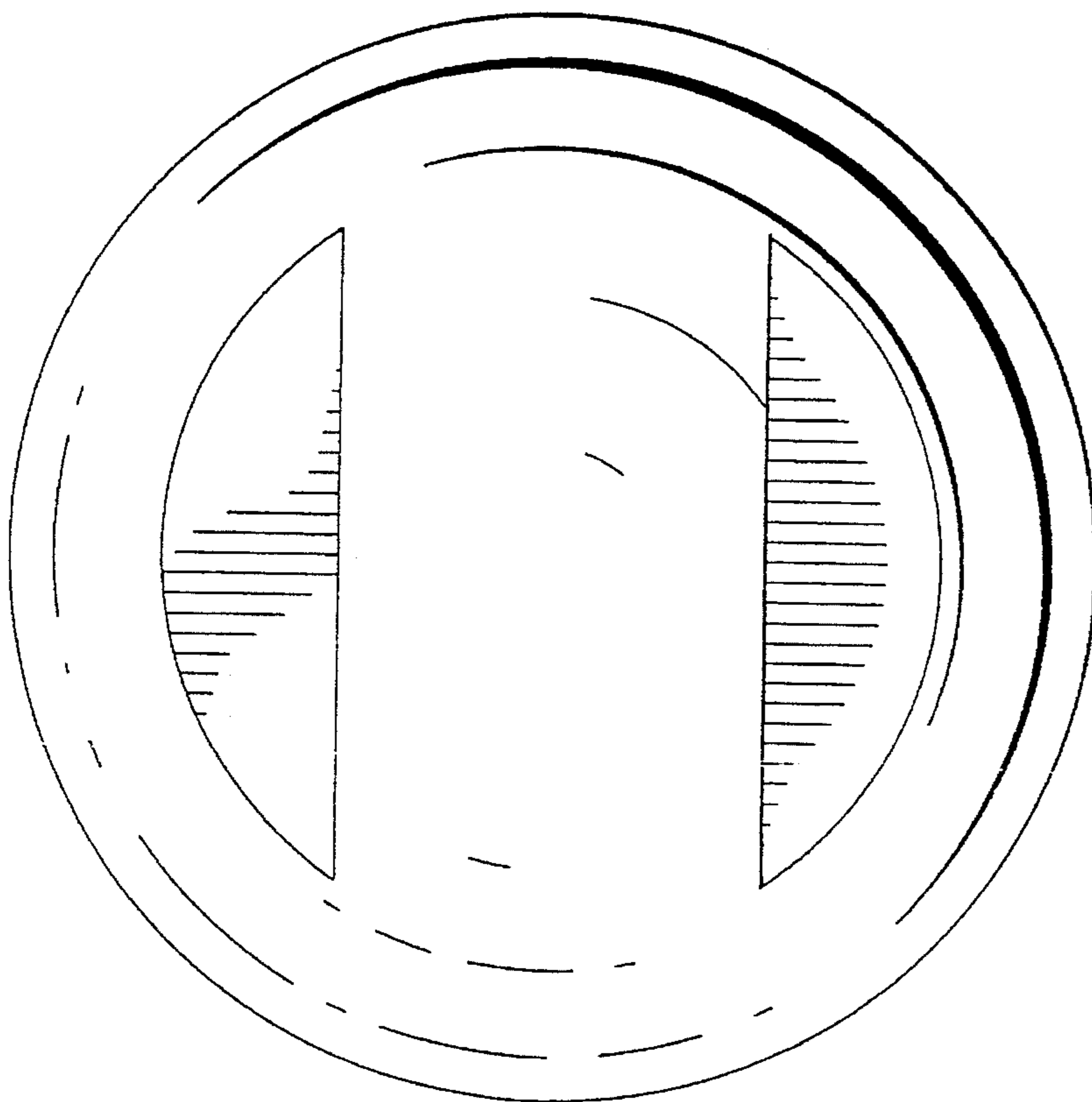
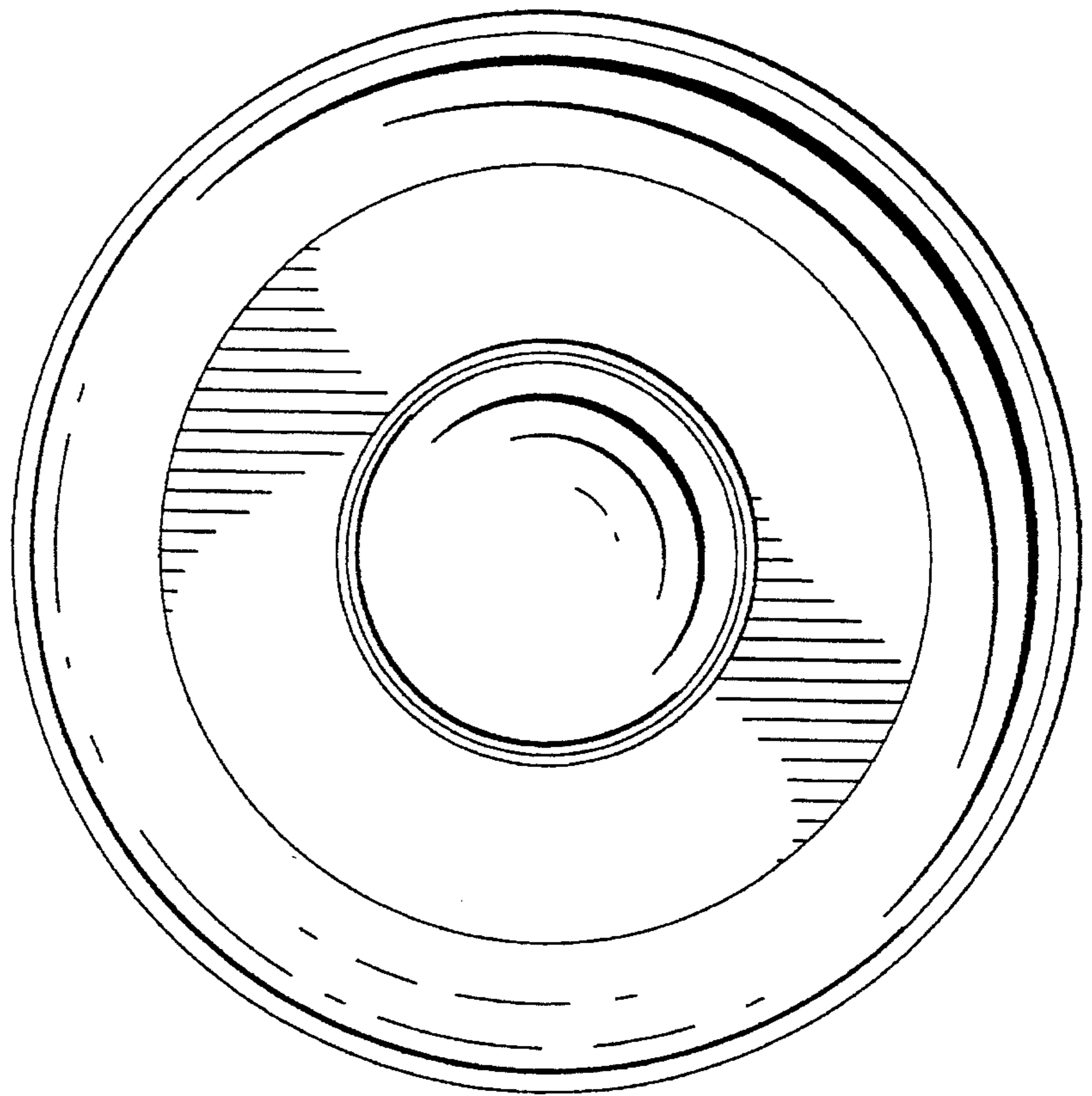


Fig. 4.