



US00D363765S

United States Patent [19]

Starck

[11] Patent Number: **Des. 363,765**

[45] Date of Patent: ****Oct. 31, 1995**

[54] **COMBINED SHOWER HANDLE AND ESCUTCHEON**

[75] Inventor: **Philippe Starck**, Montfort L'Amaury, France

[73] Assignee: **Hans Grohe GmbH & Co. KG**, Germany

[**] Term: **14 Years**

[21] Appl. No.: **26,721**

[22] Filed: **Aug. 4, 1994**

[30] **Foreign Application Priority Data**

Feb. 8, 1994 [DE] Germany 94 01 185.0

[52] U.S. Cl. **D23/254**

[58] Field of Search D23/238-243, D23/249-254; D8/300, 307-312, 352, 353; 4/191, 192; 137/801; 16/121

[56] **References Cited**

U.S. PATENT DOCUMENTS

- D. 263,989 4/1982 Fleischmann et al. D23/252
- D. 285,108 8/1986 Ogilvie D23/254
- D. 291,239 8/1987 Haug et al. D23/254 X

D. 319,294 8/1991 Konler, Jr. et al. D23/254

OTHER PUBLICATIONS

Product Catalog of Aloys F. Dornbracht GmbH & Co., KG, of Germany, the catalog having a publication date at least as early as Nov. 13, 1992 (e.g., press release date).

Primary Examiner—Stella Reid
Assistant Examiner—E. Watterson
Attorney, Agent, or Firm—Eckert Seamans Cherin & Mellott

[57] **CLAIM**

The ornamental design for a combined shower handle and escutcheon, as shown and described.

DESCRIPTION

FIG. 1 is a side perspective view taken from the front and right side of a combined shower handle and escutcheon showing my new design; FIG. 2 is a left side elevation view thereof; FIG. 3 is a front elevation view thereof; FIG. 4 is a top plan view thereof; FIG. 5 is a bottom plan view thereof; FIG. 6 is a right side elevation view thereof; and, FIG. 7 is a rear elevation view thereof.

1 Claim, 4 Drawing Sheets

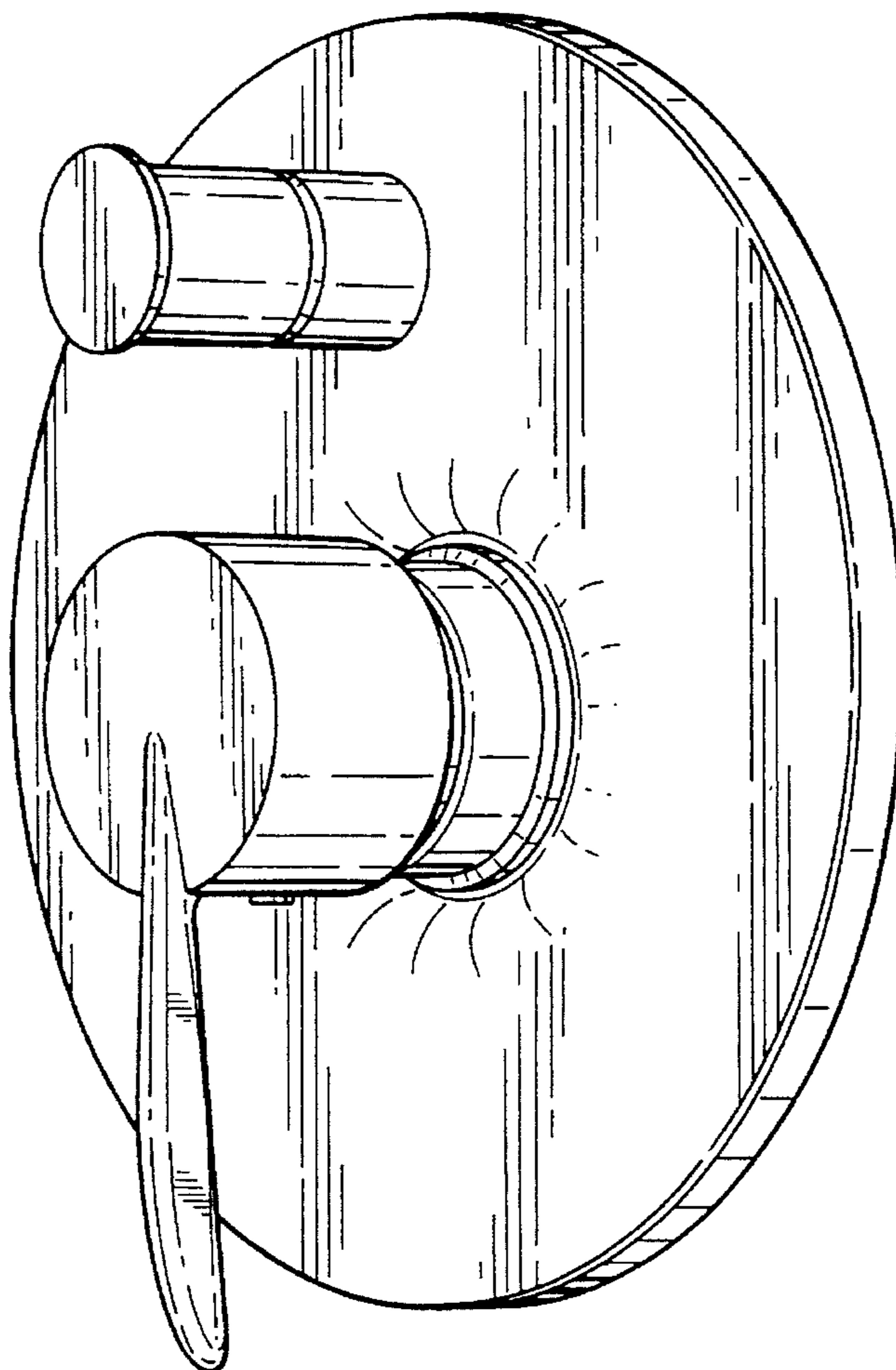
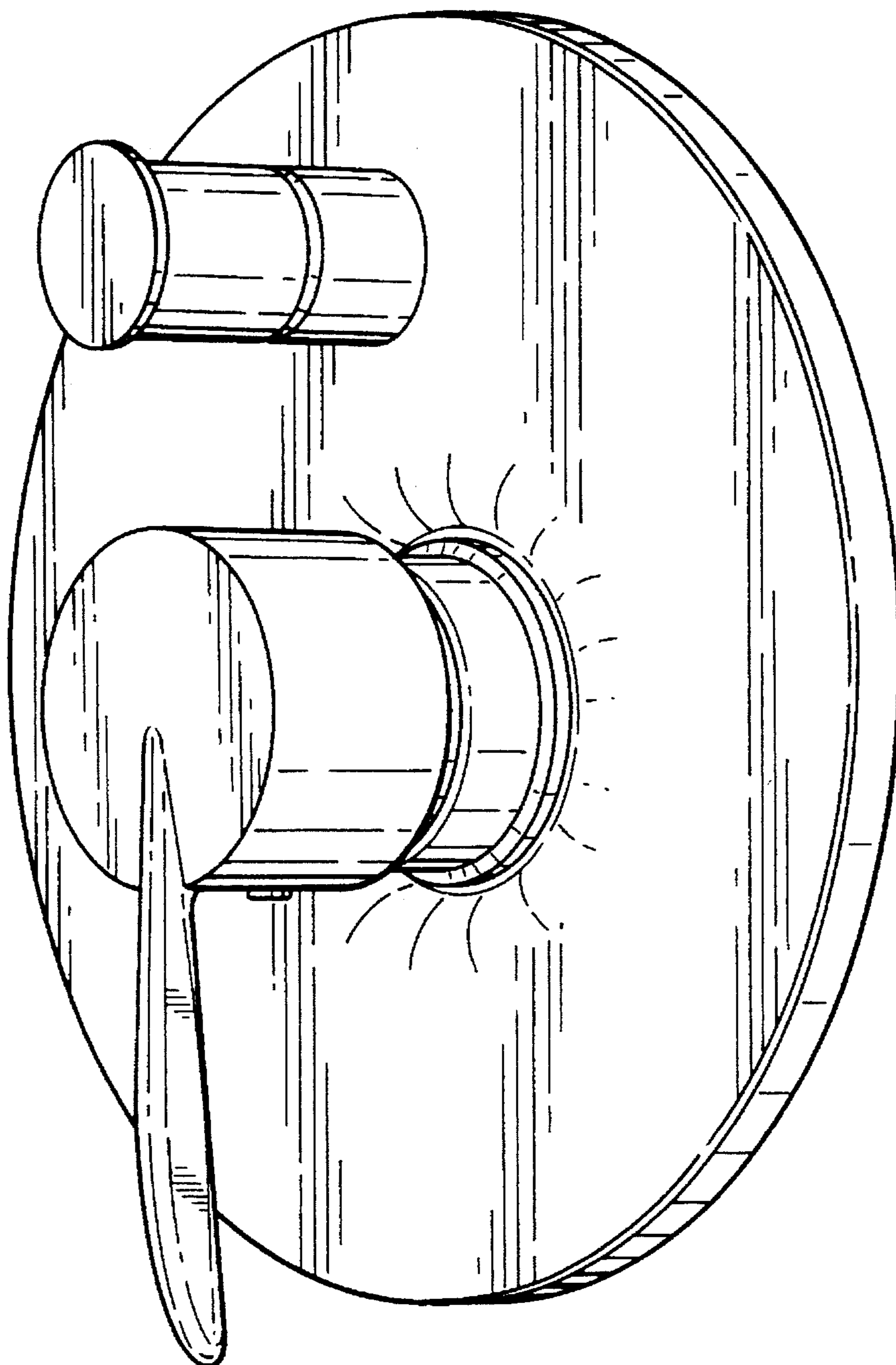


Fig. 1



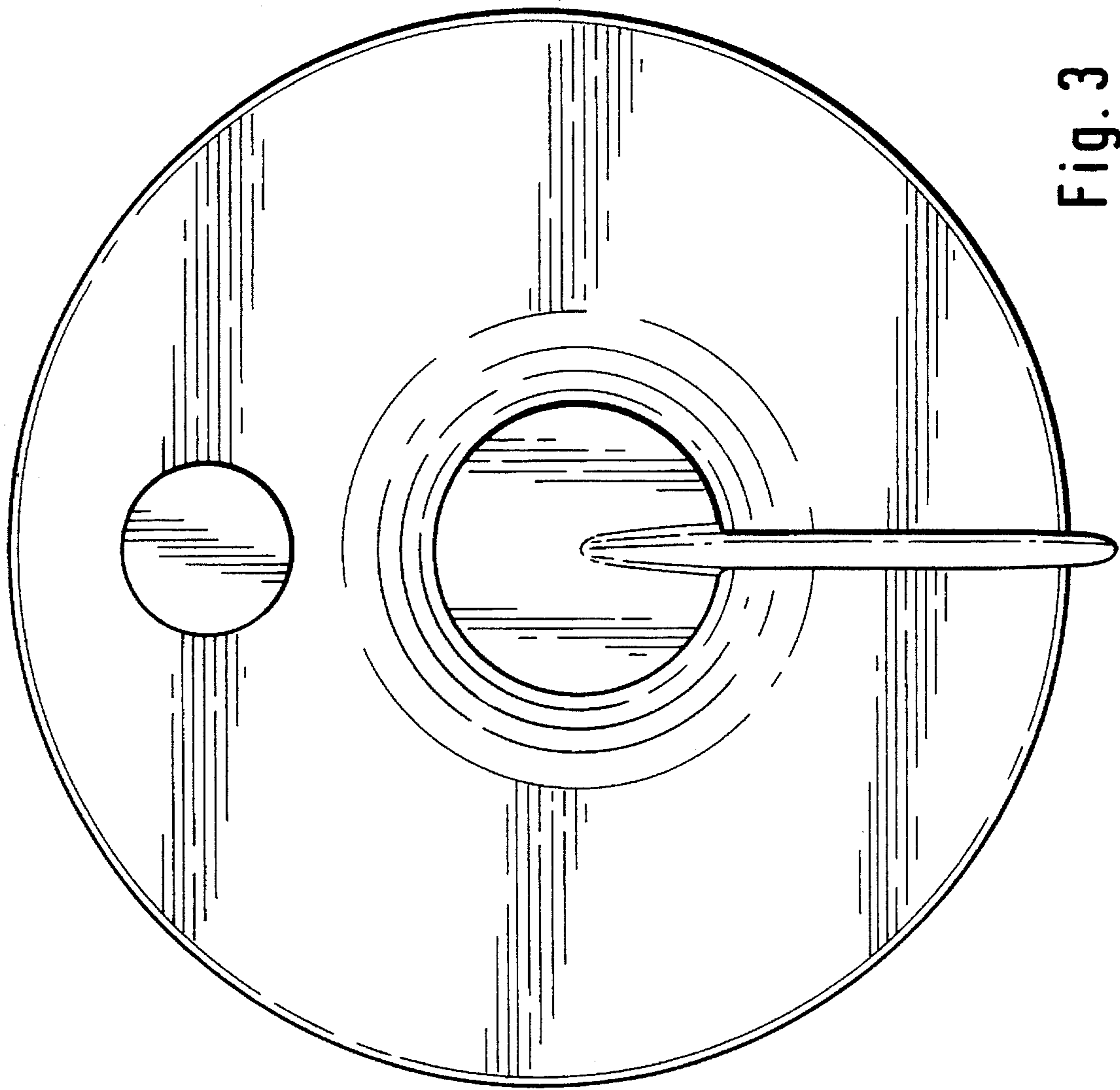


Fig. 3

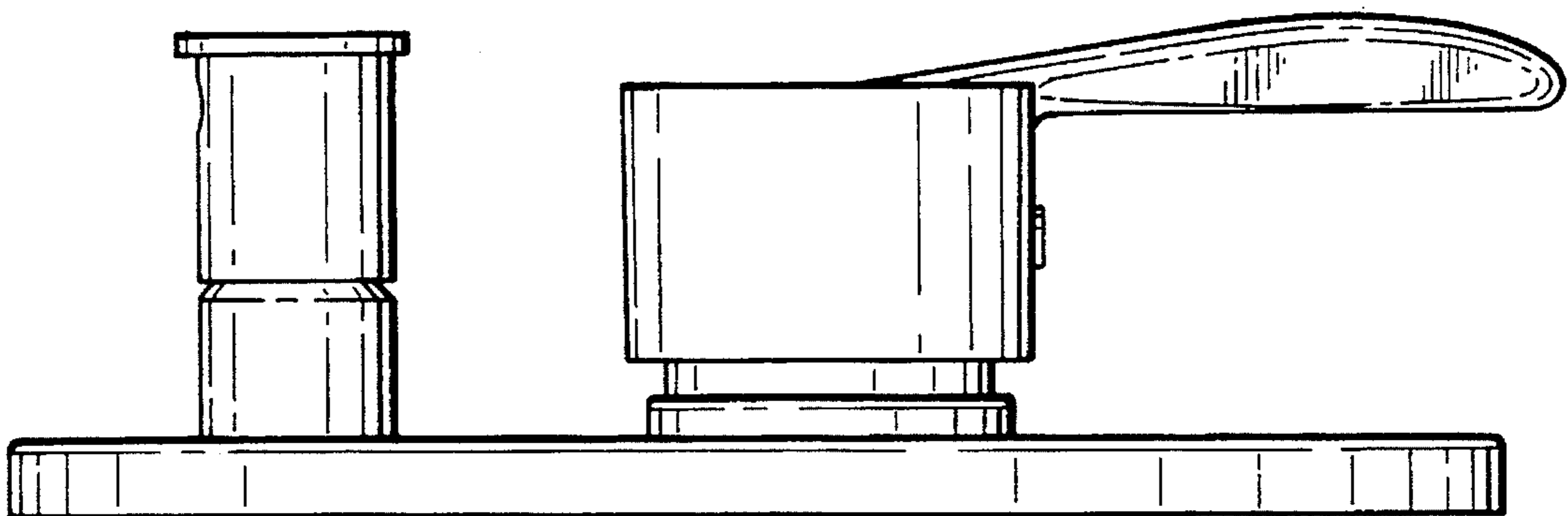


Fig. 2

Fig. 4

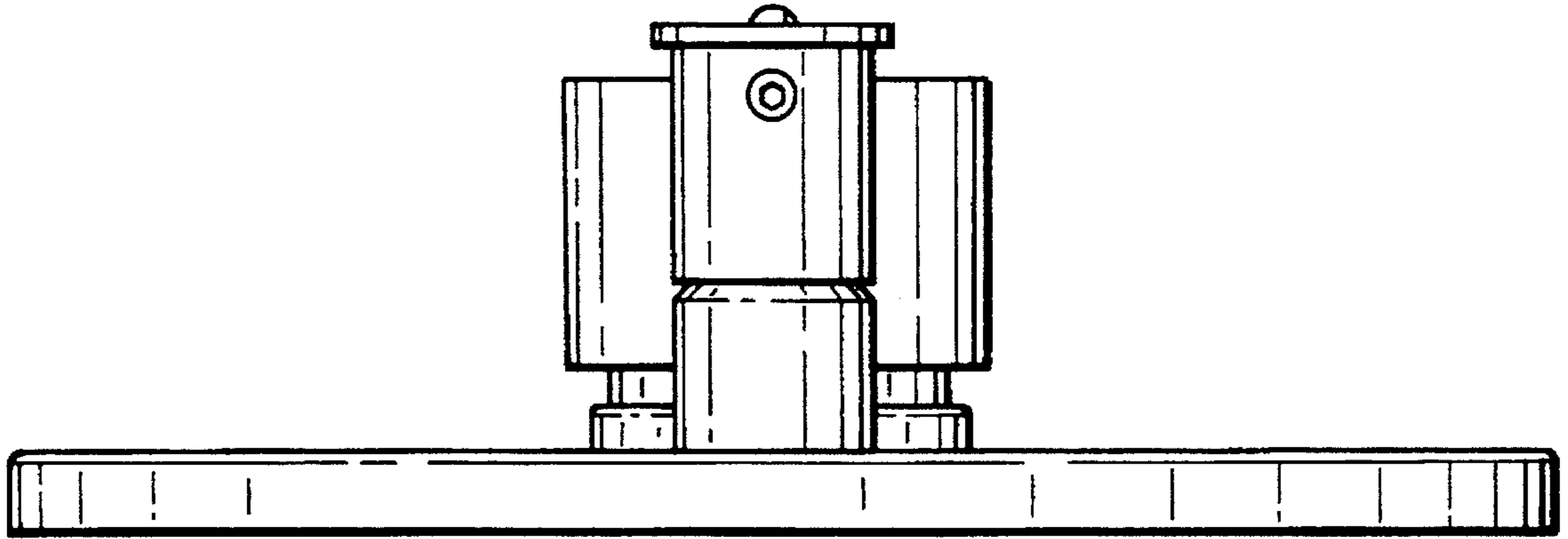
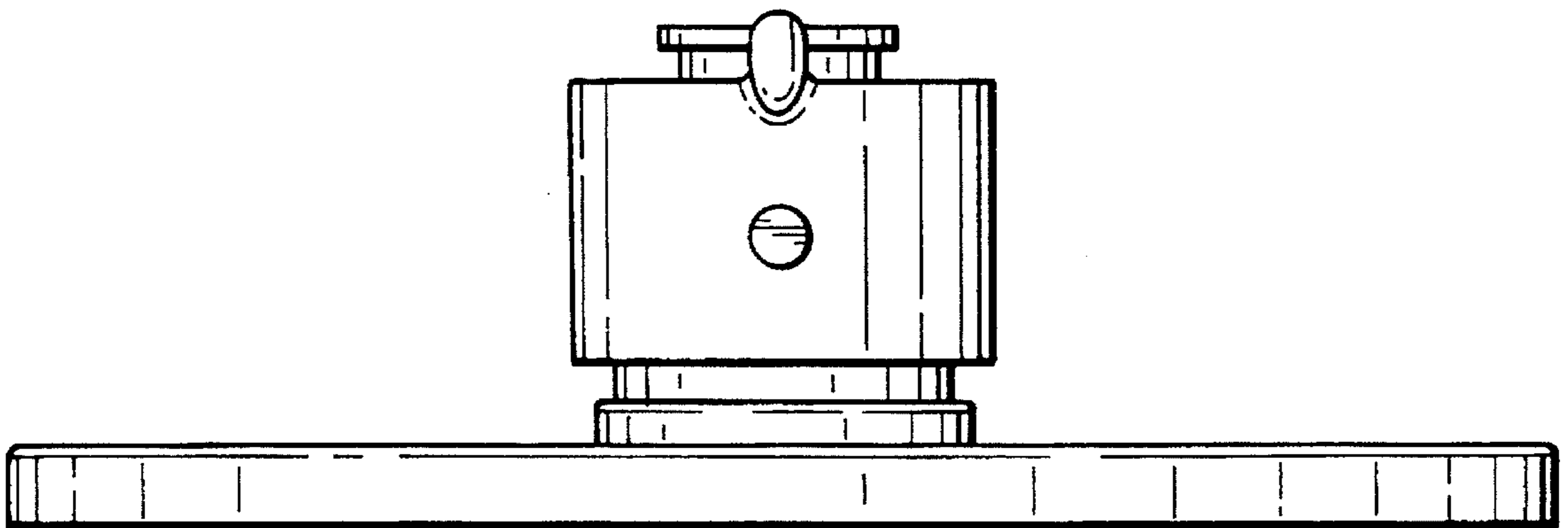


Fig. 5



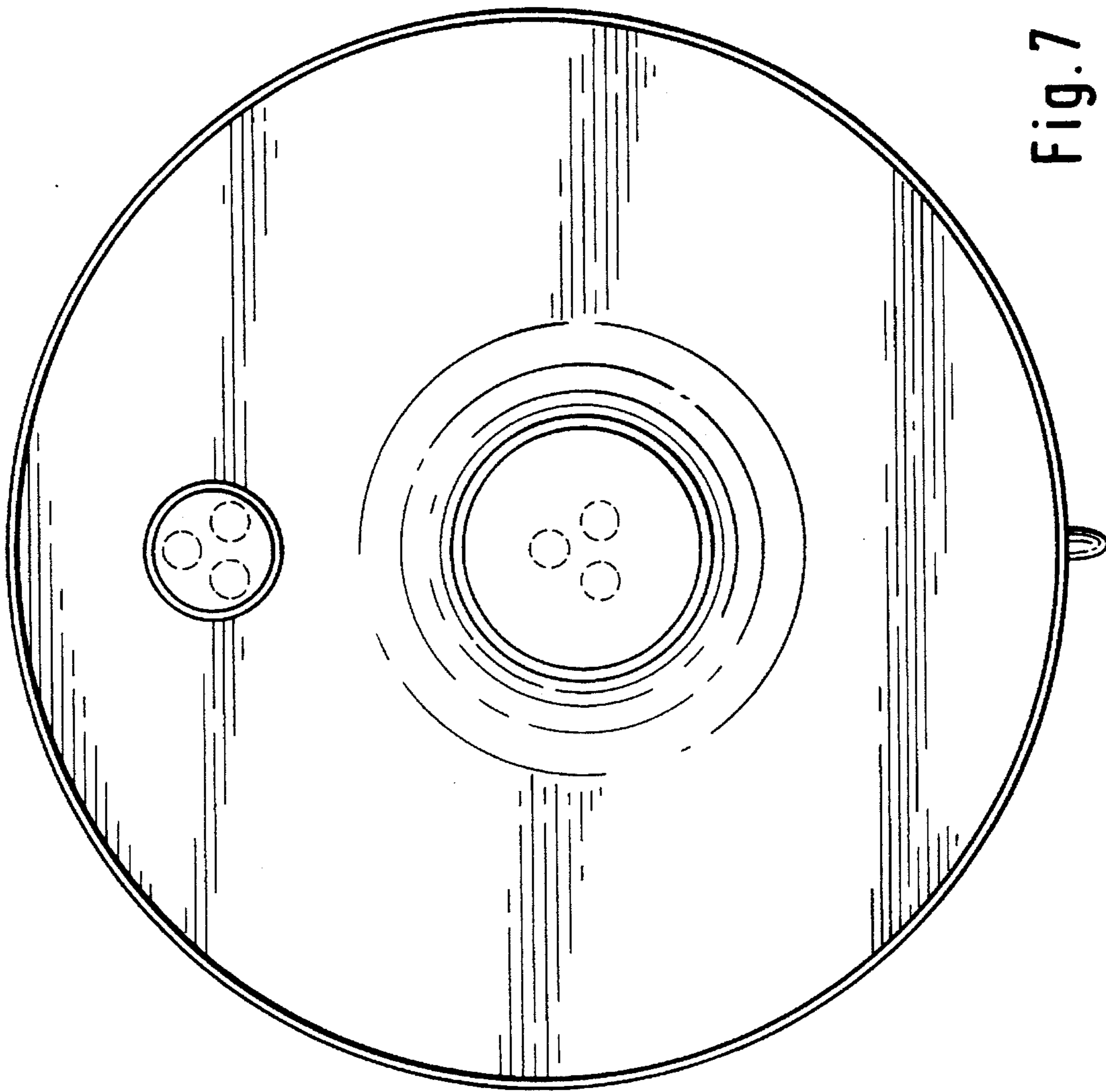


Fig. 7

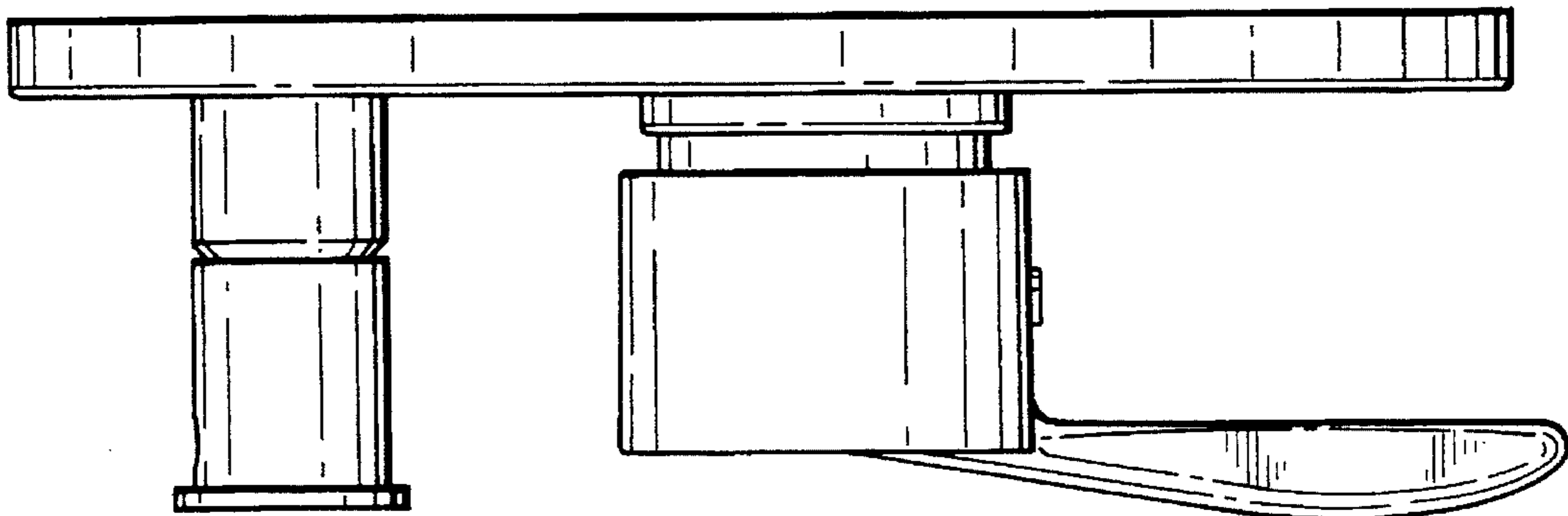


Fig. 6