



US00D363764S

United States Patent [19] Starck

[11] Patent Number: **Des. 363,764**
[45] Date of Patent: ****Oct. 31, 1995**

[54] FAUCET HANDLE

D. 349,329 8/1994 Robbins D23/252

[75] Inventor: **Philippe Starck**, Montfort L'Amaury,
France

OTHER PUBLICATIONS

Product Catalog of Aloys F. Dornbracht GmbH & Co., KG,
of Germany, the catalog having a publication date at least as
early as Nov. 13, 1992 (e.g., press release date).

[73] Assignee: **Hans Grohe GmbH & Co. KG**,
Germany

Primary Examiner—Stella Reid
Assistant Examiner—Eric Watterson
Attorney, Agent, or Firm—Eckert Seamans Cherin & Mellott

[**] Term: **14 Years**

[21] Appl. No.: **26,715**

[57] CLAIM

[22] Filed: **Aug. 4, 1994**

The ornamental design for a faucet handle, as shown and
described.

[30] Foreign Application Priority Data

DESCRIPTION

Feb. 8, 1994 [DE] Germany 94 01 185.0

[52] U.S. Cl. **D23/252**

[58] Field of Search D23/250-254;
4/675, 676, 677, 678

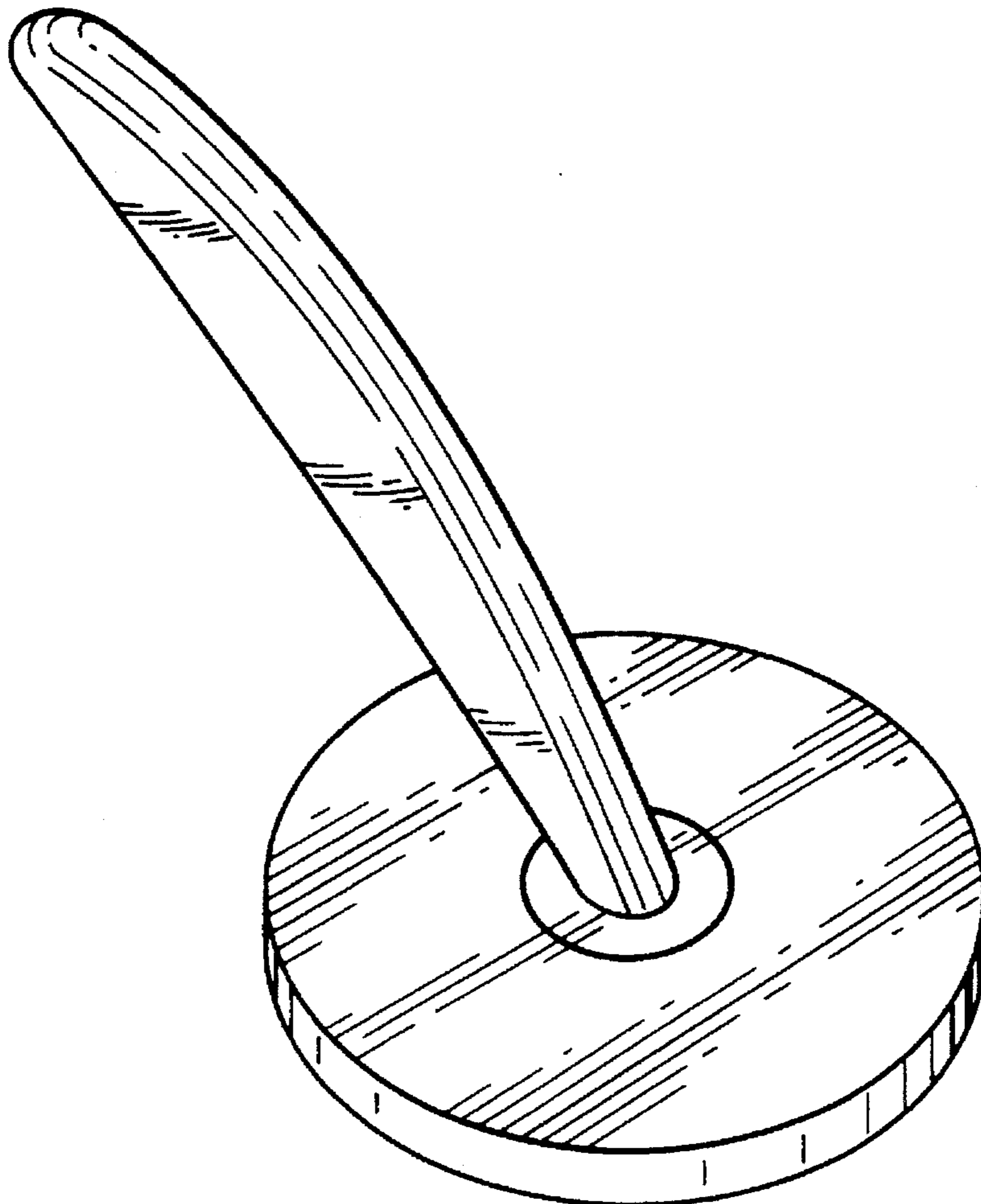
FIG. 1 is a side perspective view taken from the top, front
and right side of a faucet handle showing my new design;
FIG. 2 is a left side elevation view thereof;
FIG. 3 is a front elevation view thereof;
FIG. 4 is a bottom plan view thereof;
FIG. 5 is a top plan view thereof;
FIG. 6 is a right side elevation view thereof; and,
FIG. 7 is a rear elevation view thereof.

[56] References Cited

U.S. PATENT DOCUMENTS

D. 289,543 4/1987 Davis D23/252
D. 324,901 3/1992 Bonnell D23/252
D. 339,190 9/1993 Pieramico et al. D23/252
D. 349,328 8/1994 Bollenbacher D23/252

1 Claim, 2 Drawing Sheets



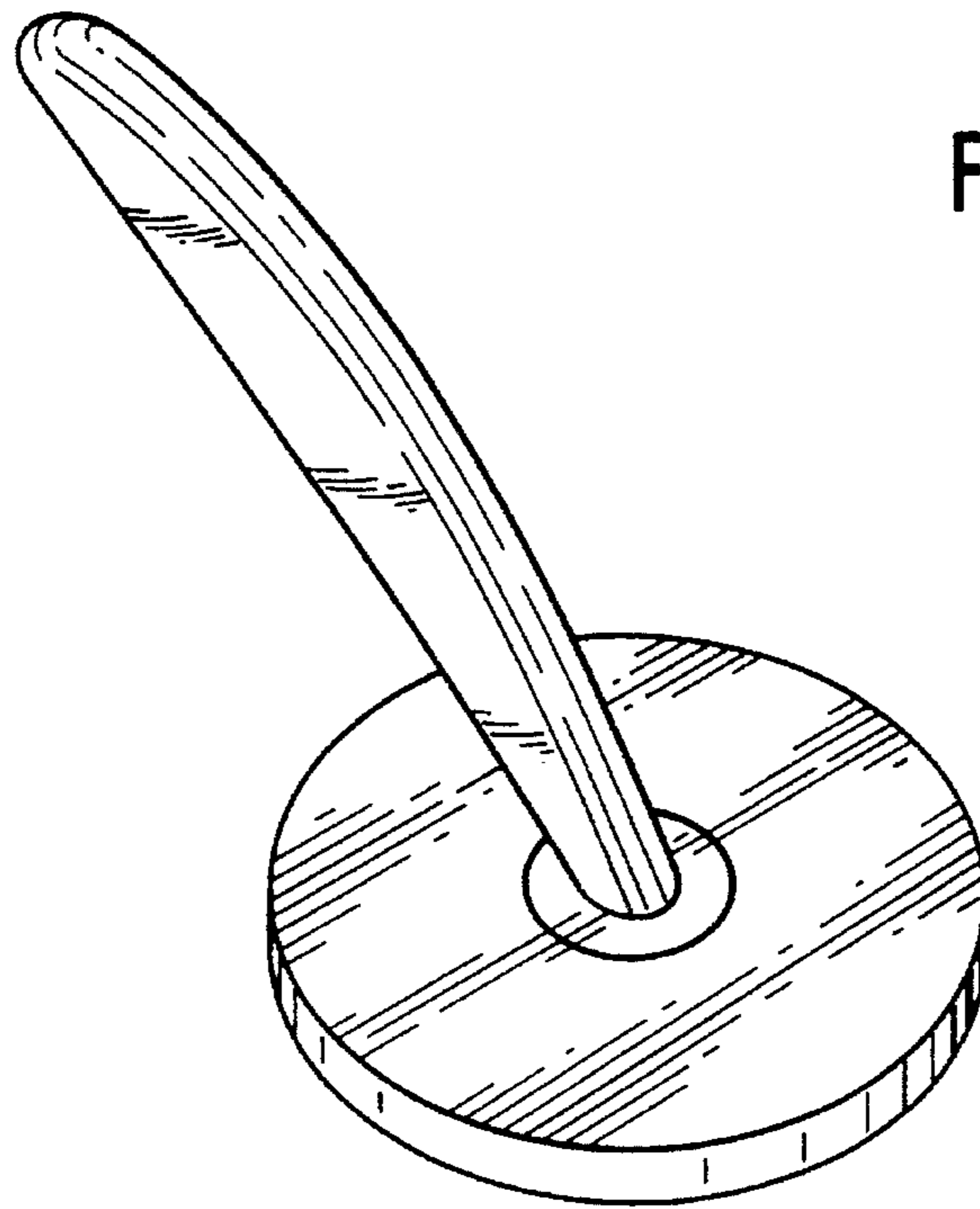


Fig. 1

Fig. 2

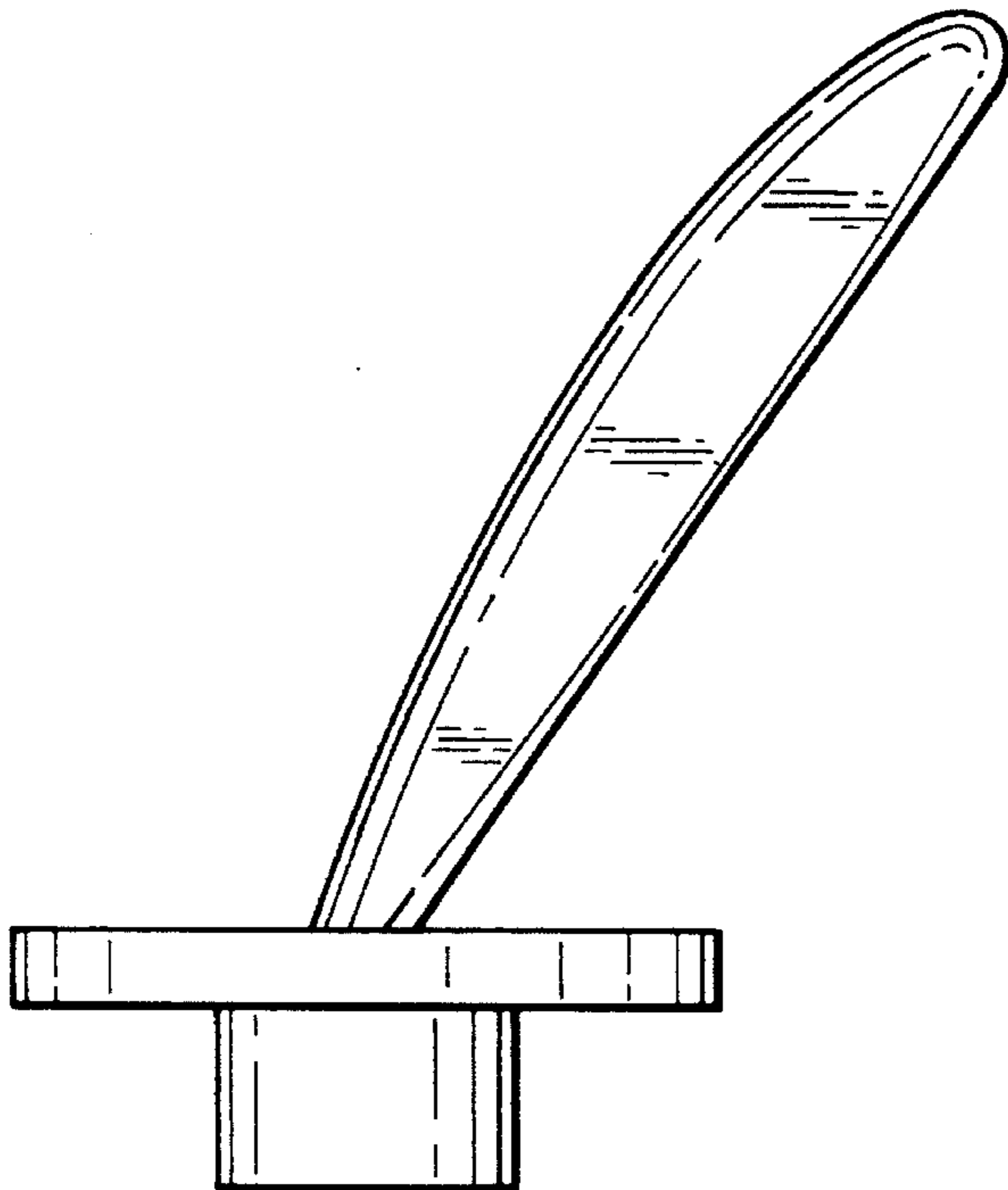


Fig. 3

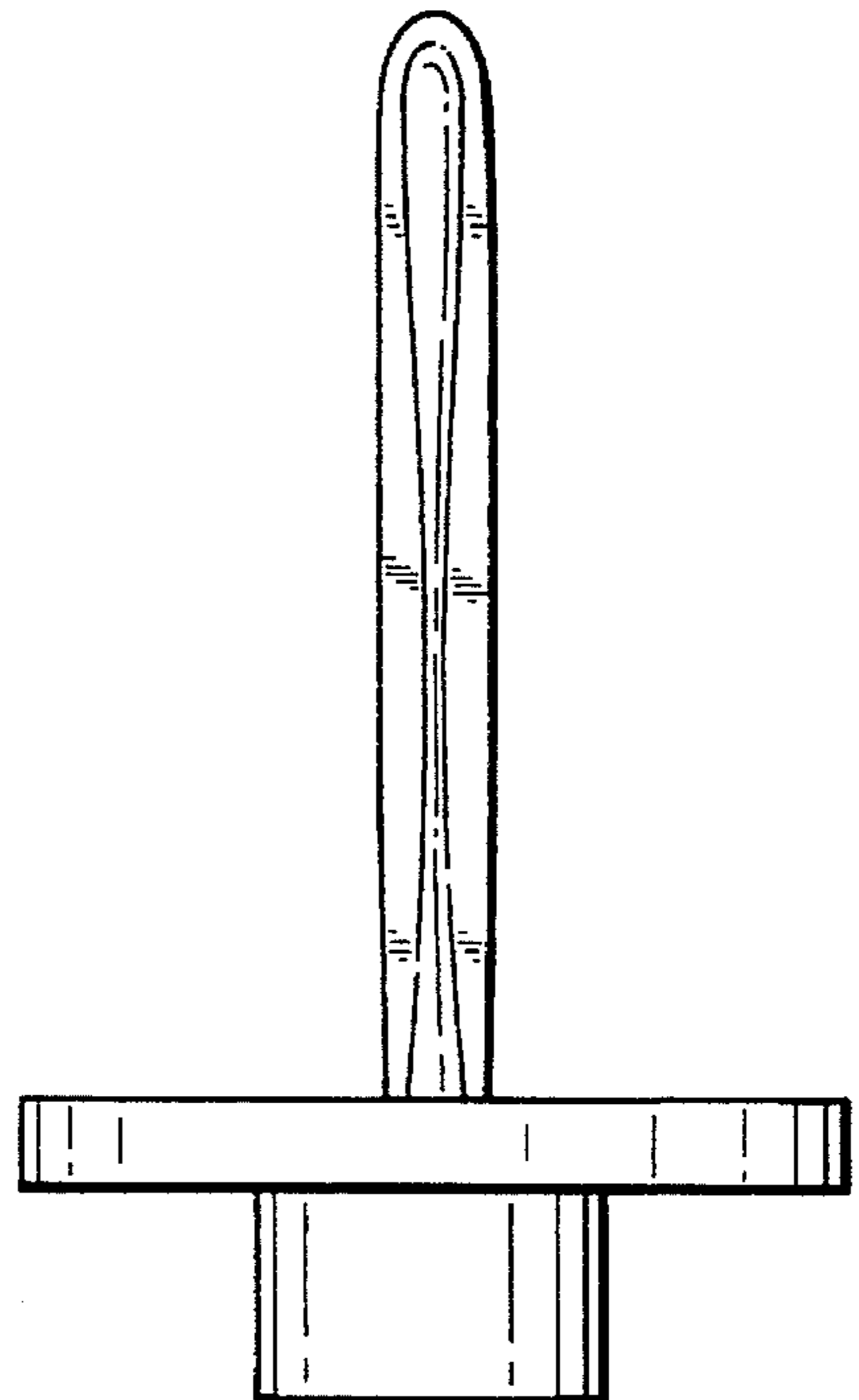


Fig. 4

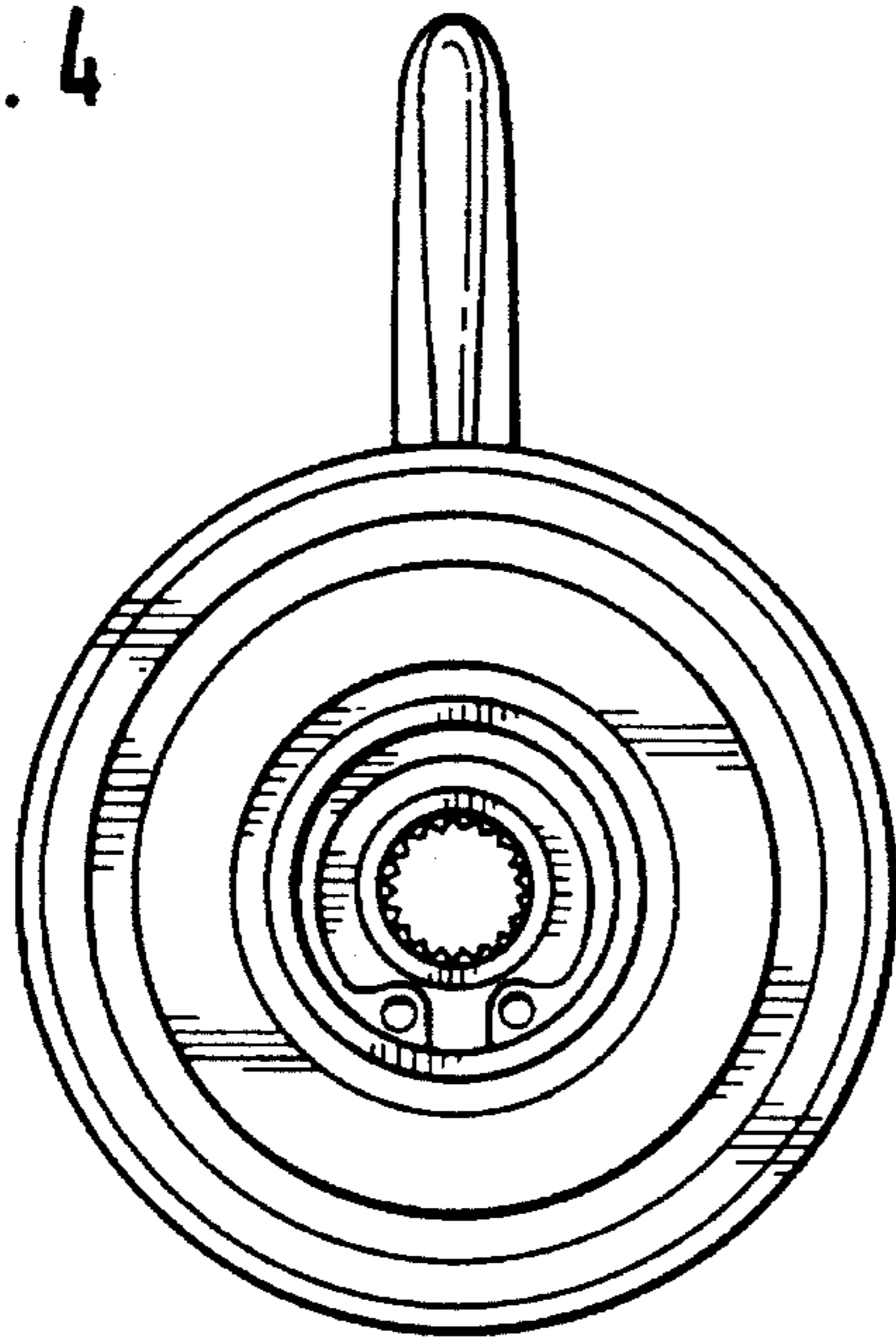


Fig. 5

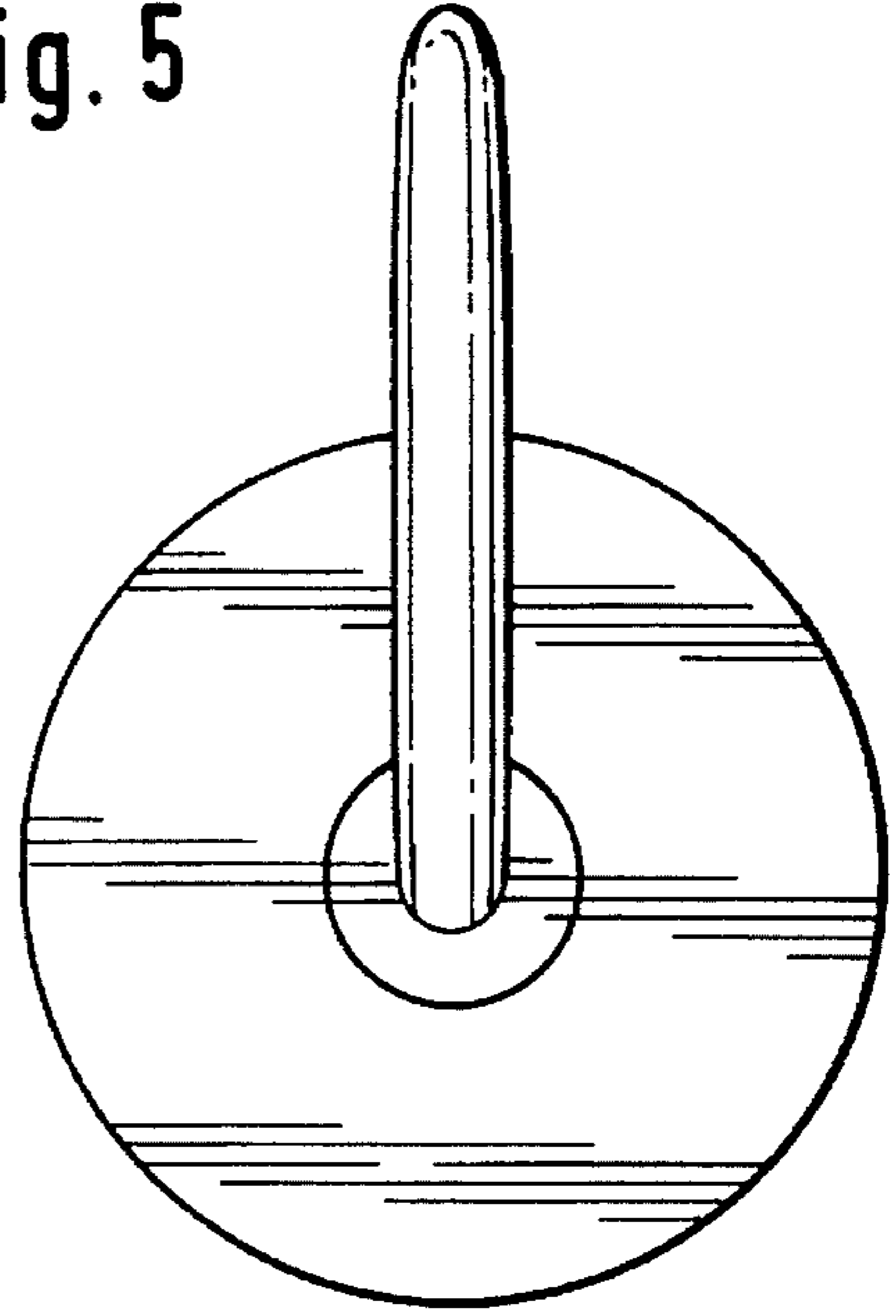


Fig. 6

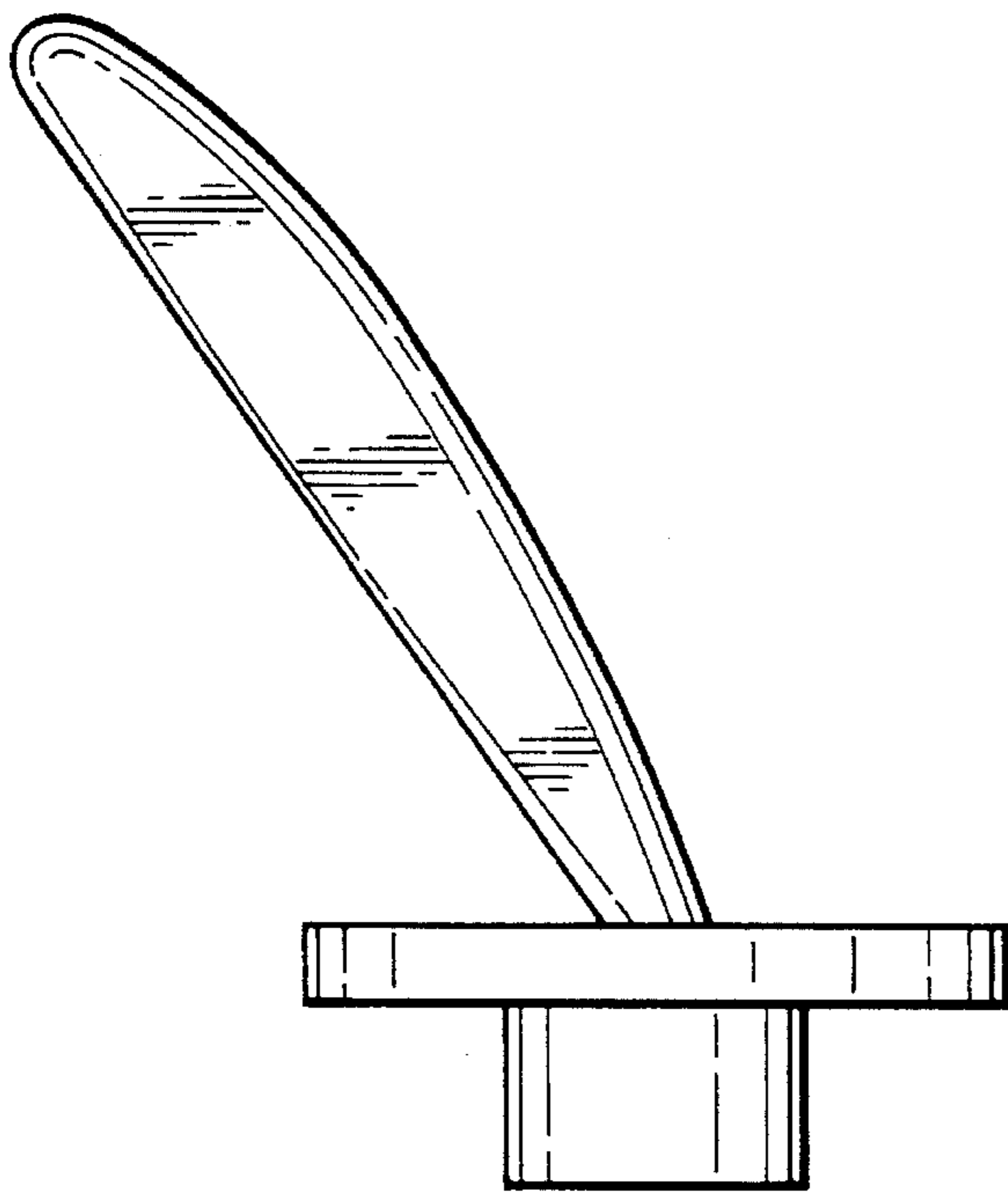


Fig. 7

