



US00D363763S

United States Patent [19] Starck

[11] **Patent Number: Des. 363,763**
[45] **Date of Patent: **Oct. 31, 1995**

[54] **FAUCET**

3,638,680 2/1972 Kopp 4/677 X

[75] **Inventor: Philippe Starck, Montfort L'Amaury, France**

OTHER PUBLICATIONS

Product Catalog of Aloys F. Dornbracht GmbH & Co., KG, of Germany, the catalog having a publication date at least as early as Nov. 13, 1992 (e.g., press release date).

[73] **Assignee: Han Grohe GmbH & Co. KG, Germany**

Primary Examiner—Stella Reid
Assistant Examiner—E. Watterson
Attorney, Agent, or Firm—Eckert Seamans Cherin & Mellott

[**] **Term: 14 Years**

[21] **Appl. No.: 26,720**

[57] CLAIM

[22] **Filed: Aug. 4, 1994**

The ornamental design for a faucet, as shown and described.

[30] Foreign Application Priority Data

DESCRIPTION

Feb. 8, 1994 [DE] Germany M 94 01 185.0

[52] **U.S. Cl. D23/243**

FIG. 1 is a side perspective view taken from the front and right side of a faucet showing my new design;
FIG. 2 is a top plan view thereof;
FIG. 3 is a left side elevation view thereof;
FIG. 4 is a front elevation view thereof;
FIG. 5 is a right side elevation view thereof;
FIG. 6 is a rear elevation view thereof; and,
FIG. 7 is a bottom plan view thereof.

[58] **Field of Search D23/238-243, D23/255-257; 4/675-678**

[56] References Cited

U.S. PATENT DOCUMENTS

- D. 227,760 7/1973 Arbon D23/238
- D. 324,904 3/1992 Haug et al. D23/238
- D. 350,183 8/1994 Joerger D23/242

1 Claim, 3 Drawing Sheets

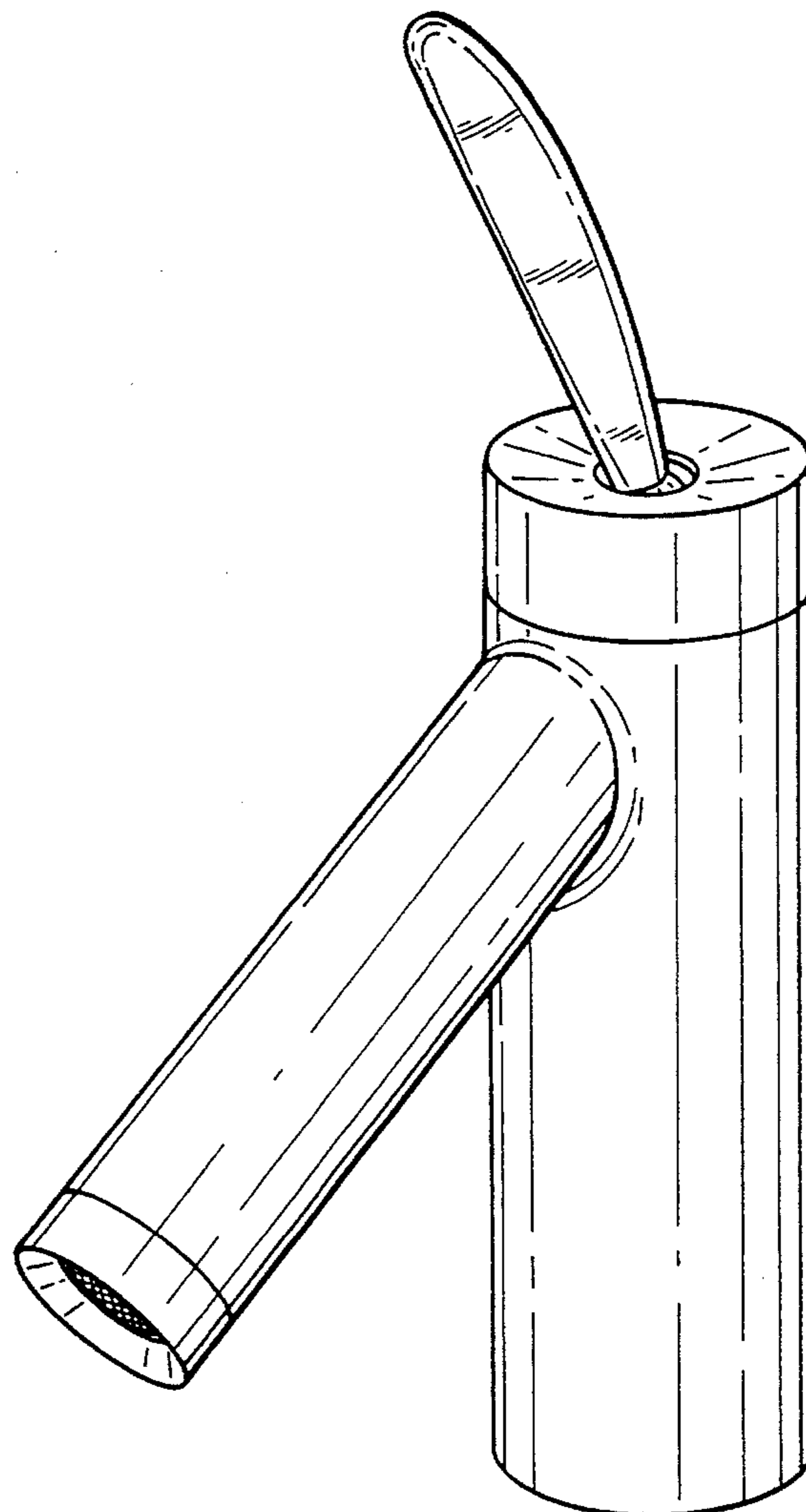
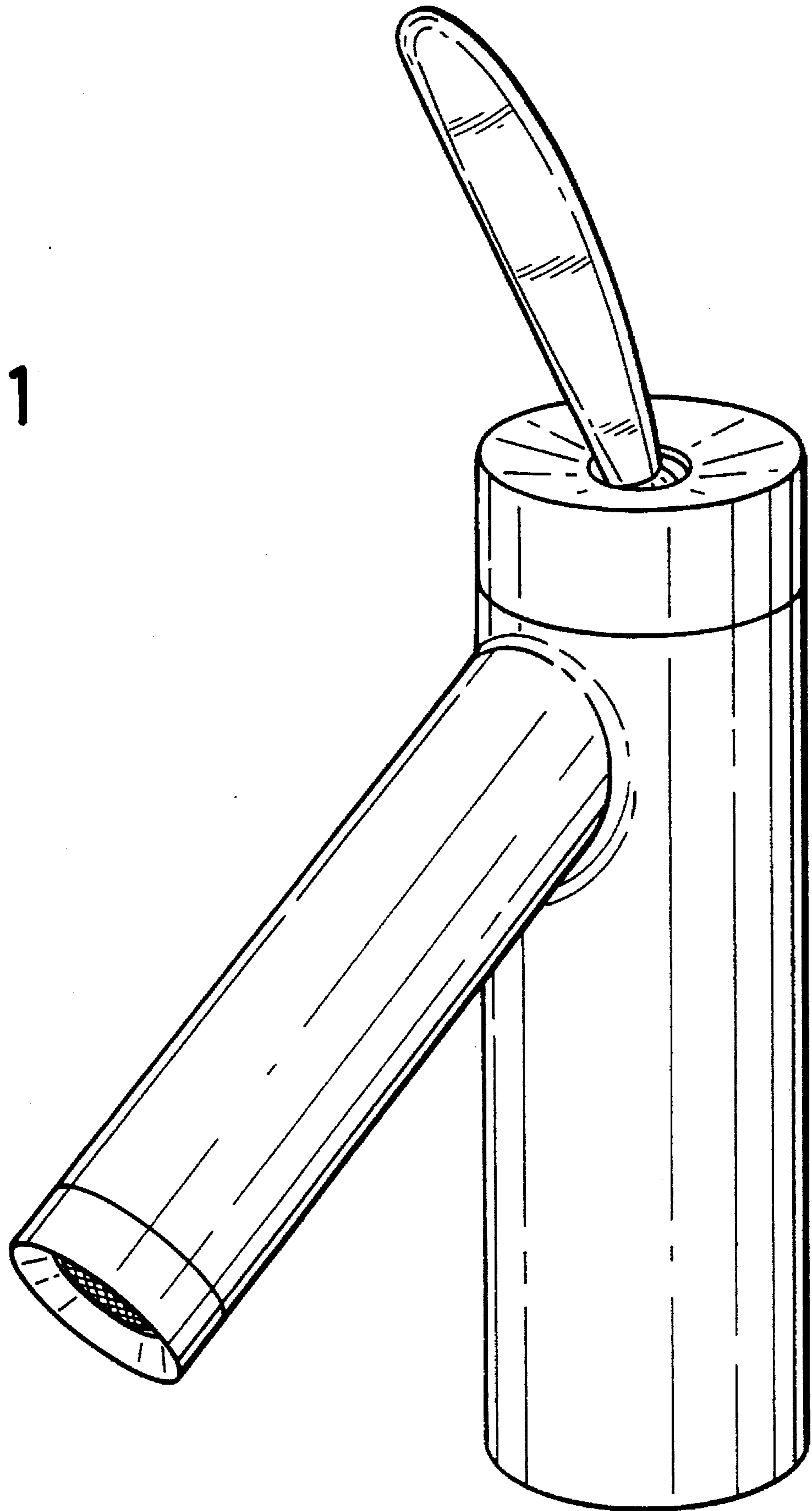


Fig. 1



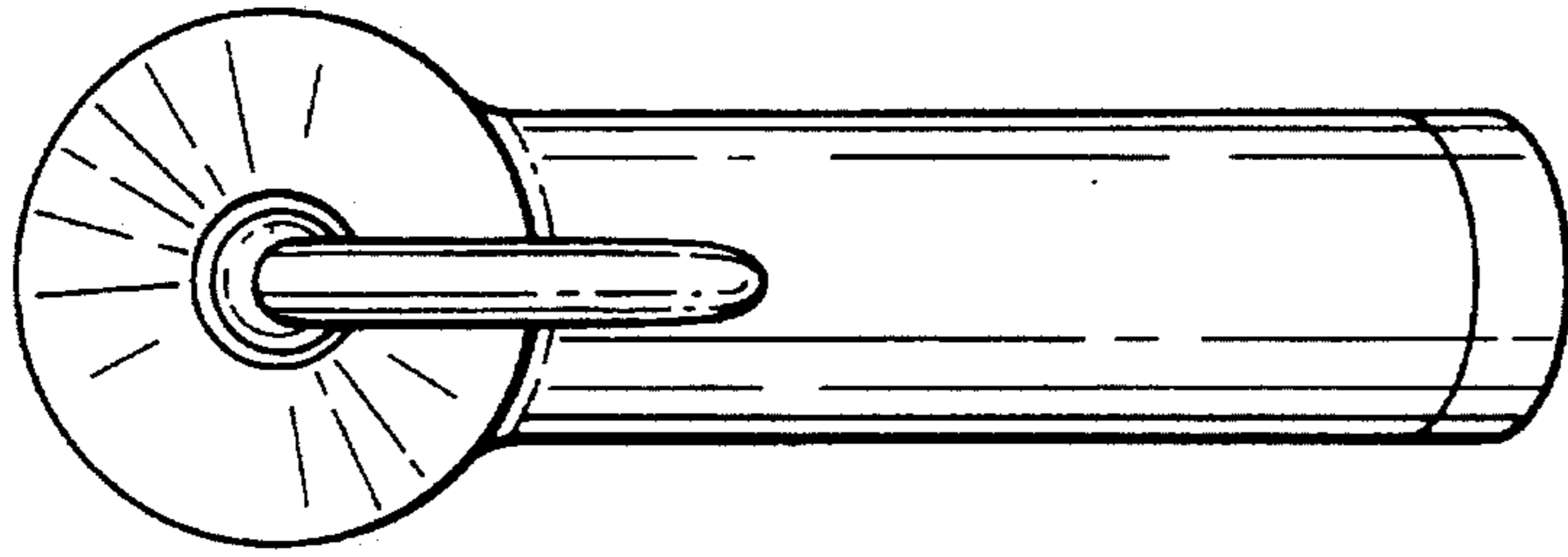


Fig. 2

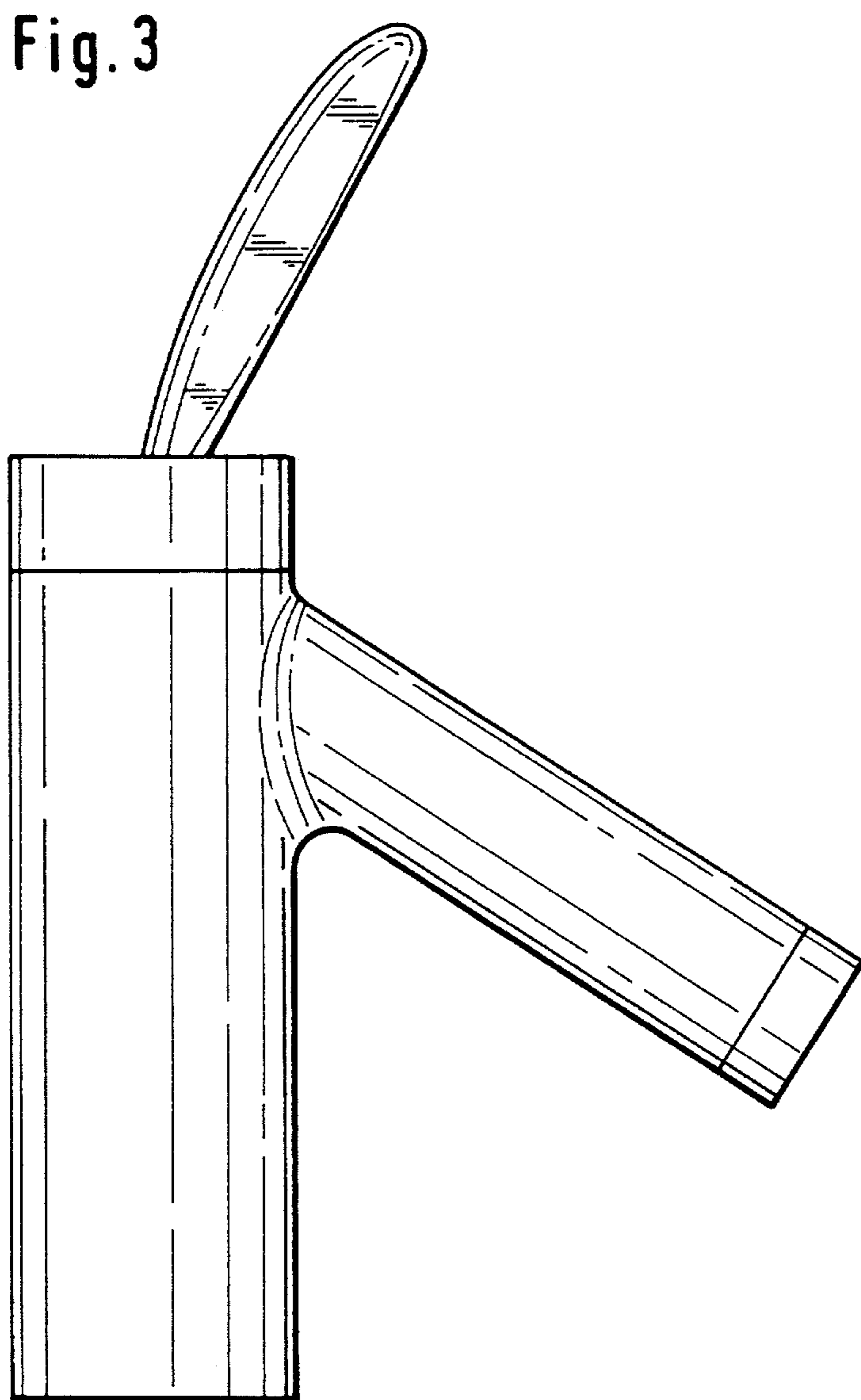


Fig. 3

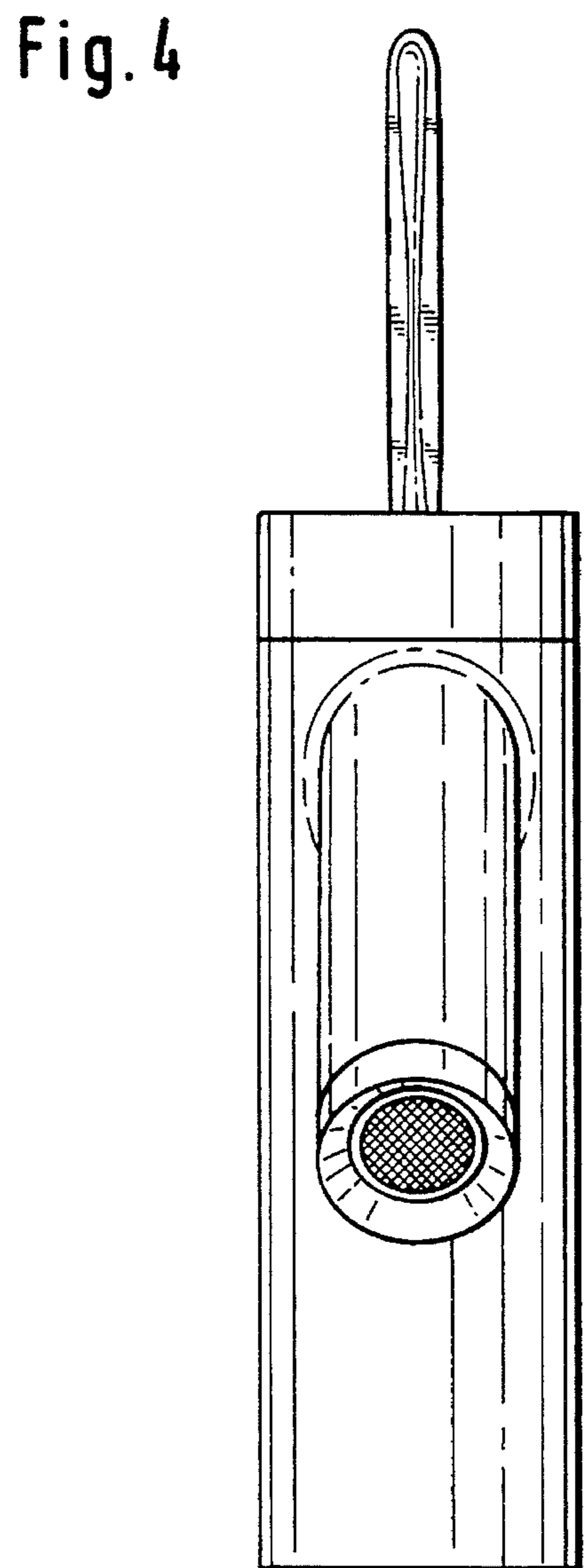


Fig. 4

Fig. 5

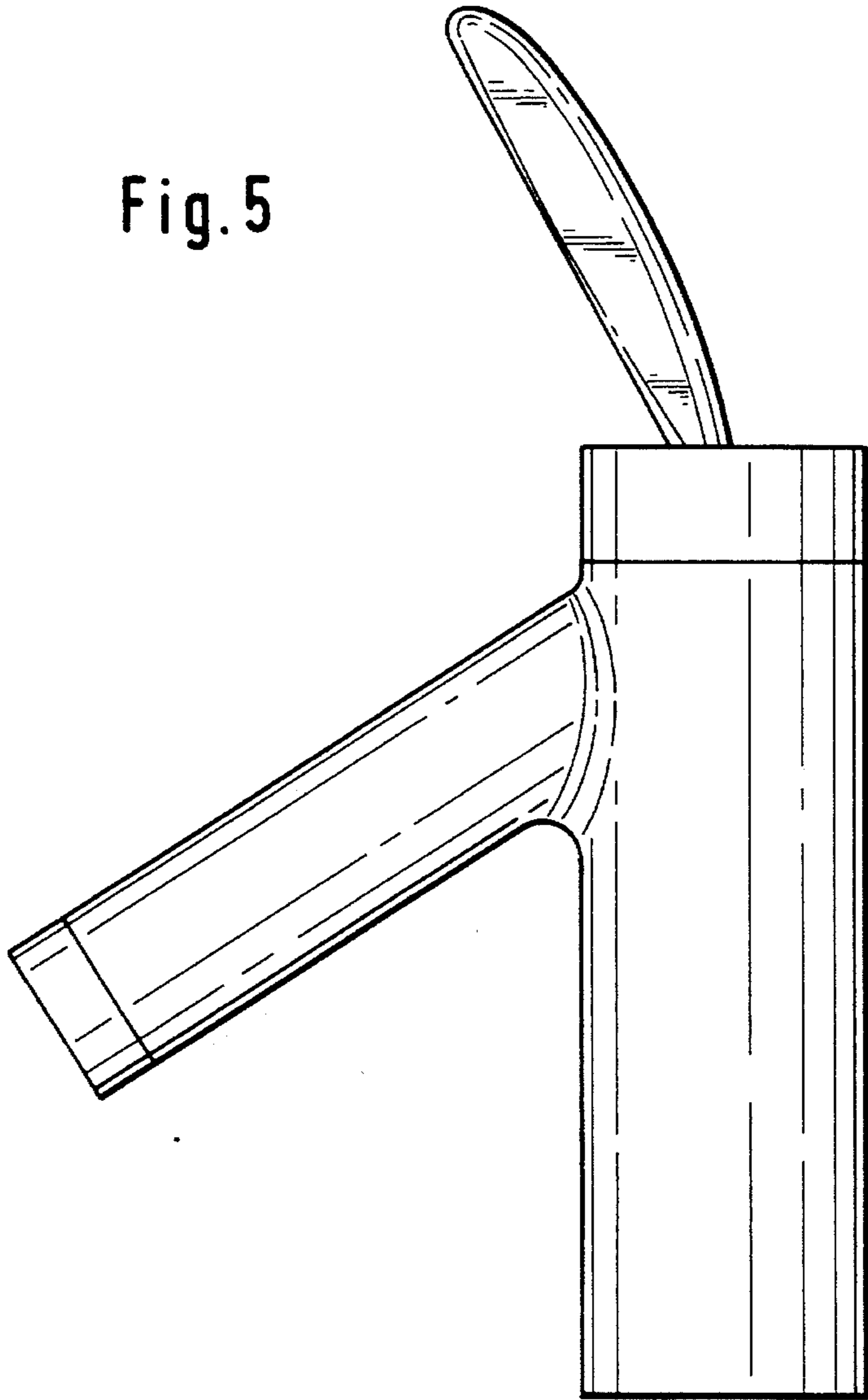


Fig. 6

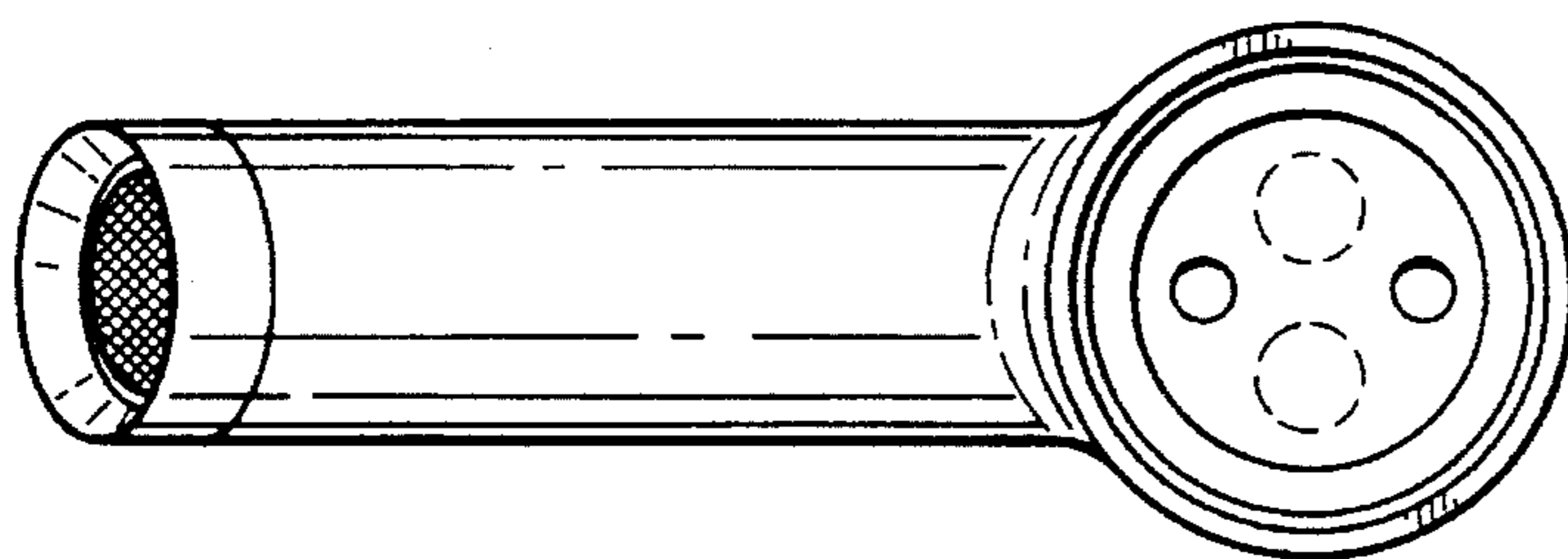
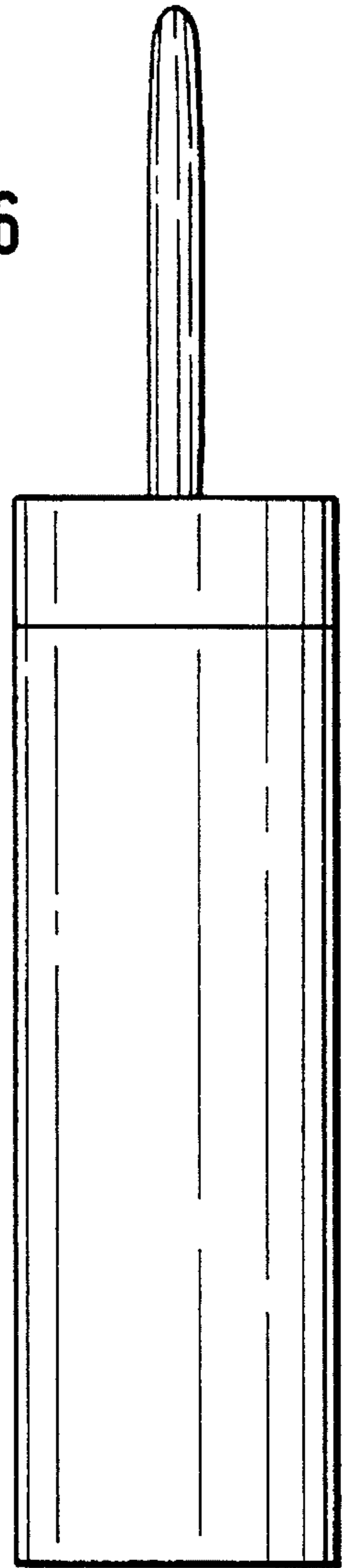


Fig. 7