



US00D363759S

United States Patent [19]

Schafer et al.

[11] Patent Number: **Des. 363,759**

[45] Date of Patent: ****Oct. 31, 1995**

[54] **COMBINED FILTER AND CONNECTOR**

[75] Inventors: **Gary Schafer**, Portage; **Gary F. Stack**, Grand Blanc, both of Mich.

[73] Assignee: **SPX Corporation**, Muskegon, Mich.

[**] Term: **14 Years**

[21] Appl. No.: **22,712**

[22] Filed: **May 11, 1994**

[52] U.S. Cl. **D23/209**

[58] Field of Search D23/200, 209; 210/448, 460, 198.1, 282, 130, 348

4,212,739	7/1980	Hilton et al.	210/130
4,256,474	3/1981	Berger, Jr. et al.	55/482
4,278,455	7/1981	Nardi	55/337
4,320,005	3/1982	DeGraffenreid	210/232
4,421,444	12/1983	Hamley	413/4
4,493,717	1/1985	Berger, Jr. et al.	55/330
4,575,422	3/1986	Zimmer	210/130
4,629,557	12/1986	Tobias	210/90
4,810,379	3/1989	Barrington	210/232
5,019,251	5/1991	Sundholm	210/133
5,104,537	4/1992	Stifelman et al.	210/440
5,145,497	9/1992	Maeda	55/219

Primary Examiner—A. Hugo Word
Assistant Examiner—Robin V. Taylor
Attorney, Agent, or Firm—Tilton, Fallon, Lungmus & Chestnut

[56] **References Cited**

U.S. PATENT DOCUMENTS

D. 230,735	3/1974	Lents	D23/209
D. 255,045	5/1980	Kronshein	D23/209
D. 308,410	6/1990	Russell et al.	D23/209
D. 320,640	10/1991	Goodwin	D23/209
2,798,613	7/1957	Tinker	D23/209
3,846,307	11/1974	Petrucci et al.	210/323
3,912,633	10/1975	Delaney	210/168
3,920,426	11/1975	Tu et al.	55/337
4,052,307	10/1977	Humbert, Jr.	210/130
4,052,316	10/1977	Berger, Jr. et al.	210/315
4,065,392	12/1977	Gammon	210/282
4,099,942	7/1978	Carnewal et al.	55/396
4,138,337	2/1979	Smith	210/238

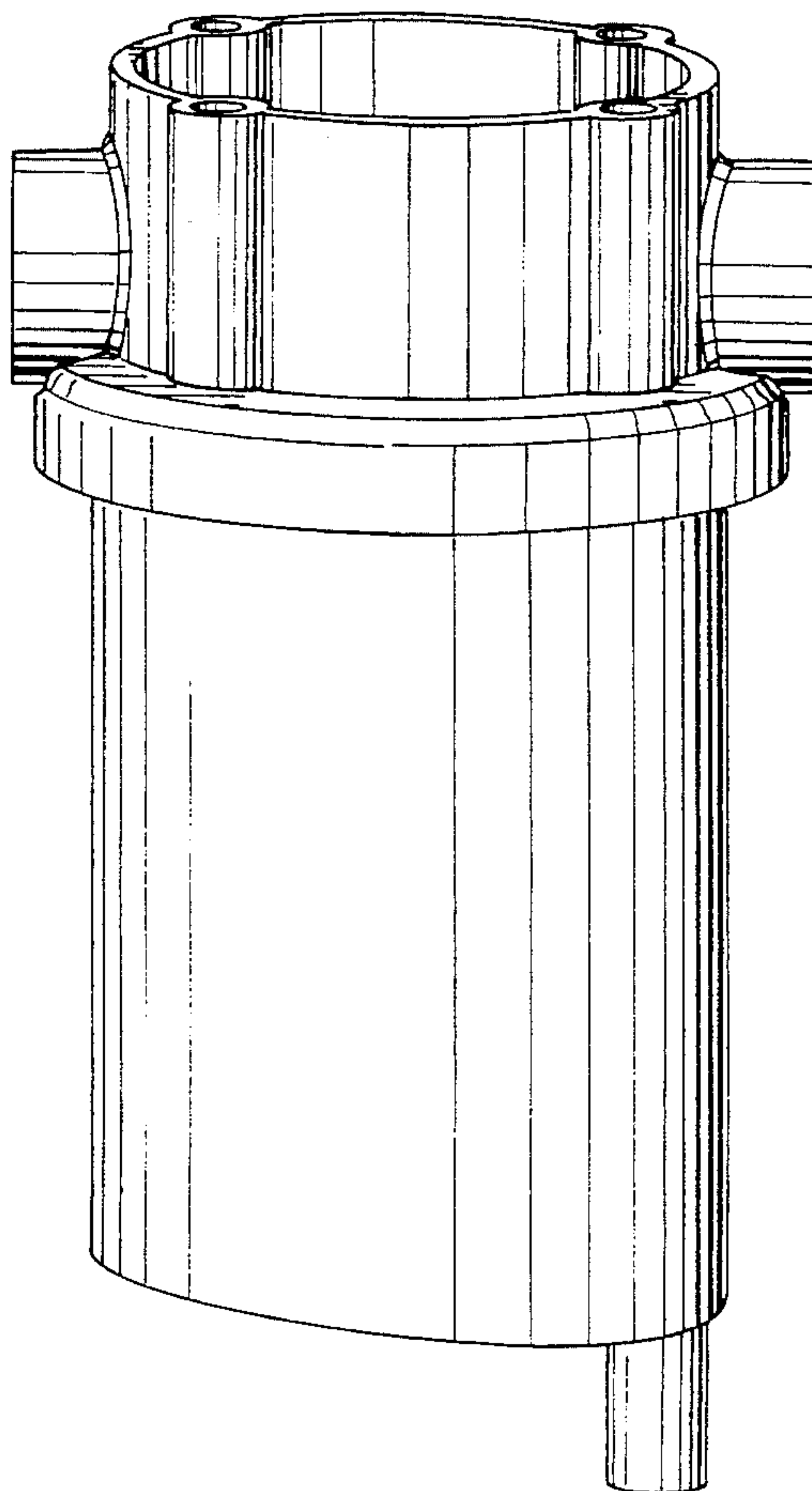
[57] **CLAIM**

The ornamental design for a combined filter and connector, as shown and described.

DESCRIPTION

FIG. 1 is a perspective view of a combined filter and connector showing our new design; FIG. 2 is a top plan view thereof; FIG. 3 is a side elevation view thereof; FIG. 4 is a side elevation view thereof; and, FIG. 5 is a bottom view thereof.

1 Claim, 2 Drawing Sheets



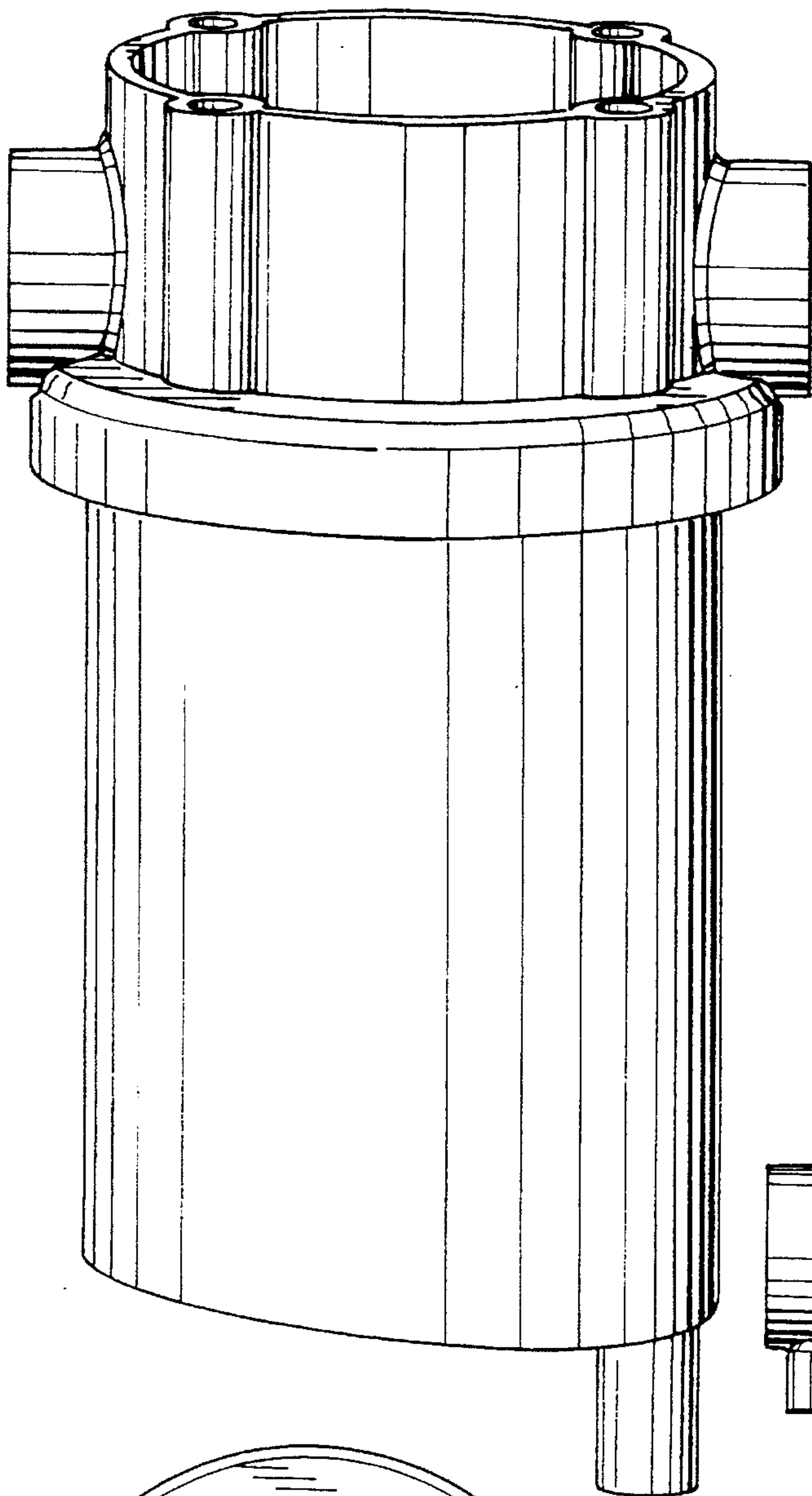


Fig. 1

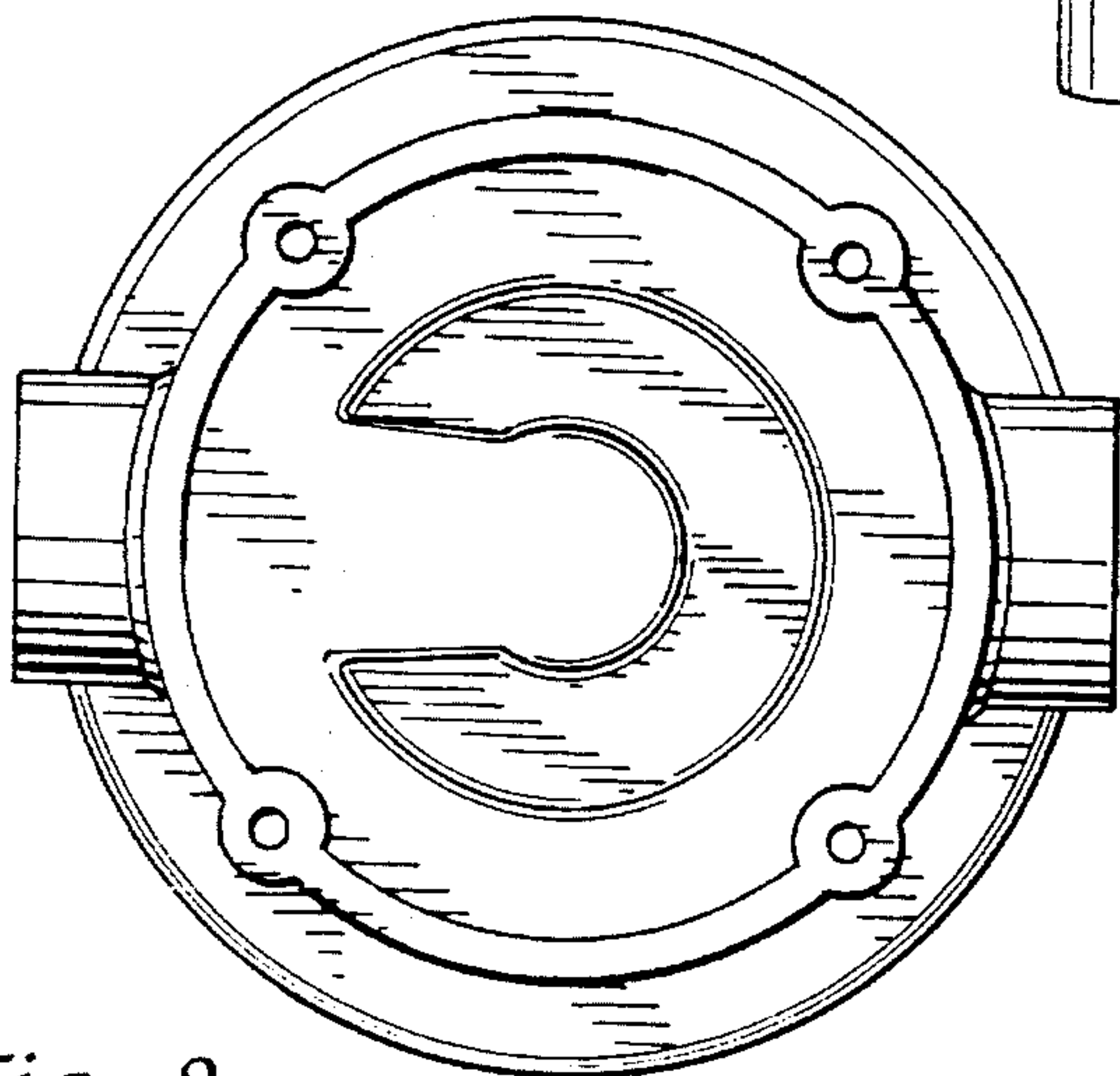


Fig. 2

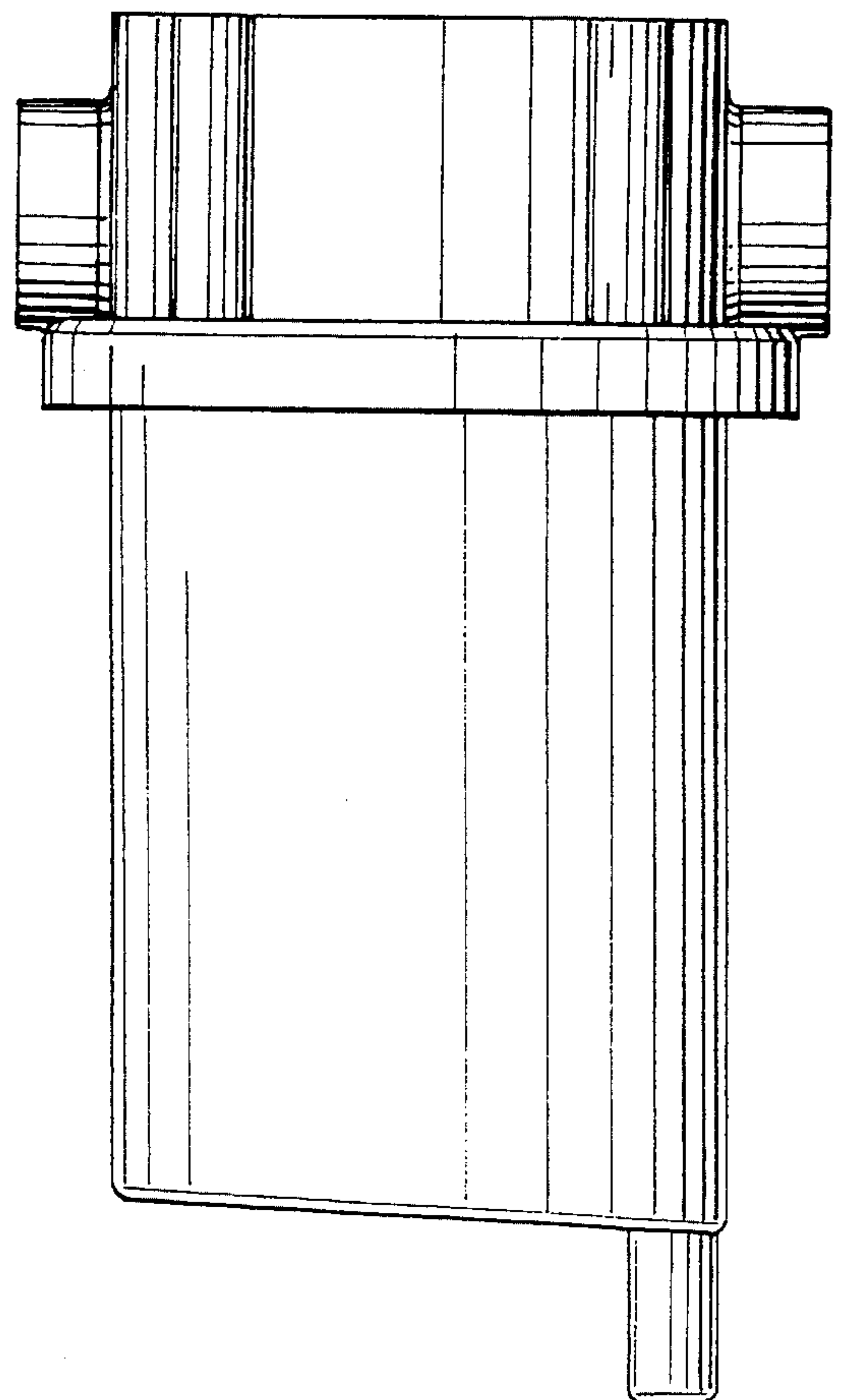


Fig. 3

Fig. 4

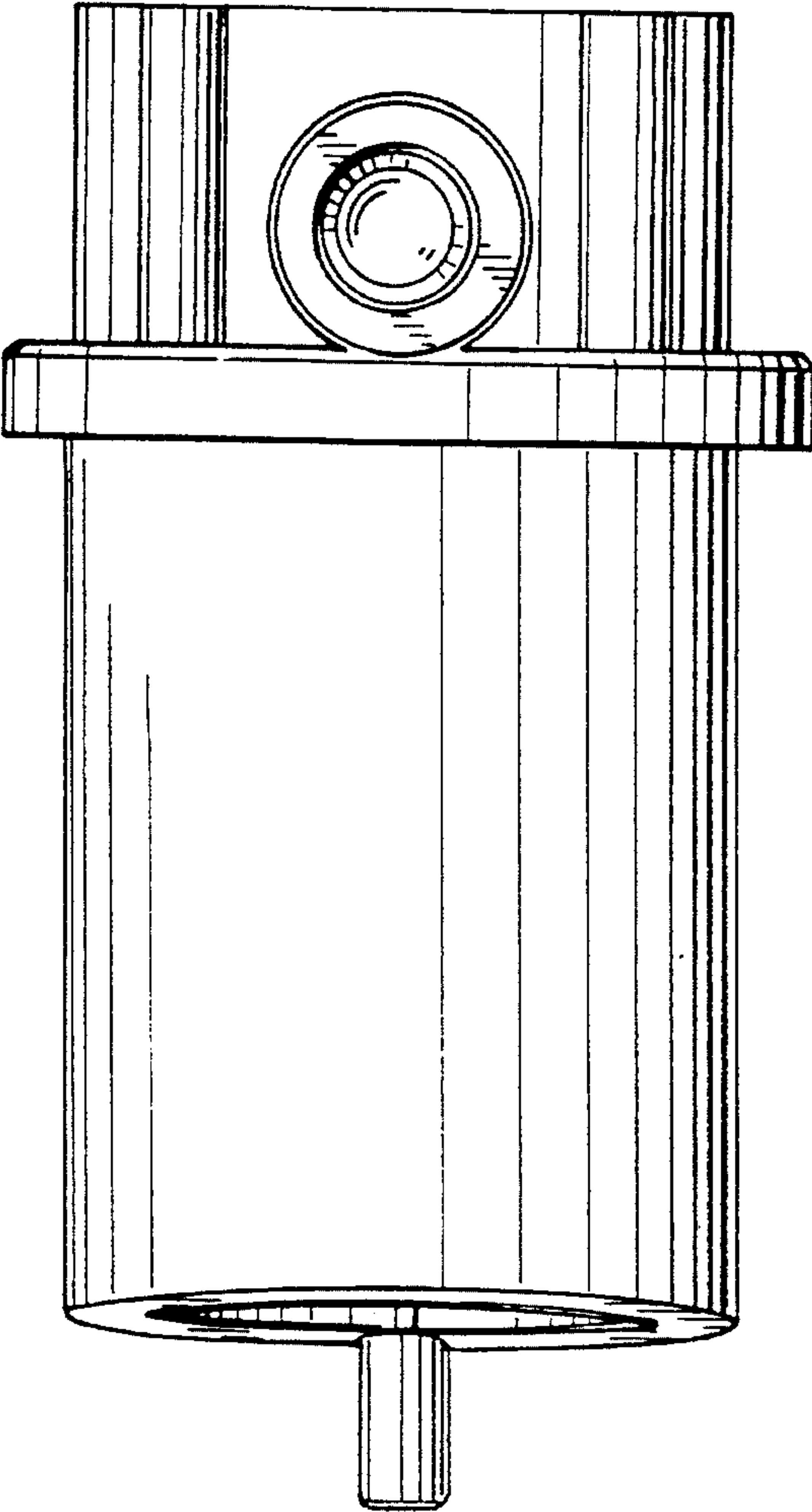


Fig. 5

