



US00D363758S

United States Patent [19]

[11] Patent Number: **Des. 363,758**

Boucher et al.

[45] Date of Patent: ****Oct. 31, 1995**

[54] STILL 1,043,305 11/1912 Duensing 202/202 X
 2,610,142 9/1952 Lawrence 203/40
 [75] Inventors: **Armand R. Boucher; Philip N. Hambrick**, both of Louisville, Ky. 4,302,297 11/1981 Humiston 202/202 X

FOREIGN PATENT DOCUMENTS

[73] Assignee: **Vendome Copper & Brass Works, Inc.**, Louisville, Ky. 67579 4/1929 Germany 203/29

[**] Term: **14 Years**

Primary Examiner—Lou Zarfaz
Assistant Examiner—Monica A. Hannon
Attorney, Agent, or Firm—Middleton & Reutlinger; David W. Carrithers

[21] Appl. No.: **9,037**

[22] Filed: **Jun. 2, 1993**

[52] U.S. Cl. **D23/207**

[58] **Field of Search** D23/200-213;
 159/29; 202/40, 163, 202; 203/10, 29, 40,
 85, 86, 100; 222/54, 174, 310, 372, 383,
 384, 385, 465.1, 466, 468, 478, 481, 565,
 567, 571, 572, 573; 426/292, 494

[56] References Cited

U.S. PATENT DOCUMENTS

520,525 5/1894 Hodges et al. 203/10
 898,861 9/1908 De Focatiis 203/100 X

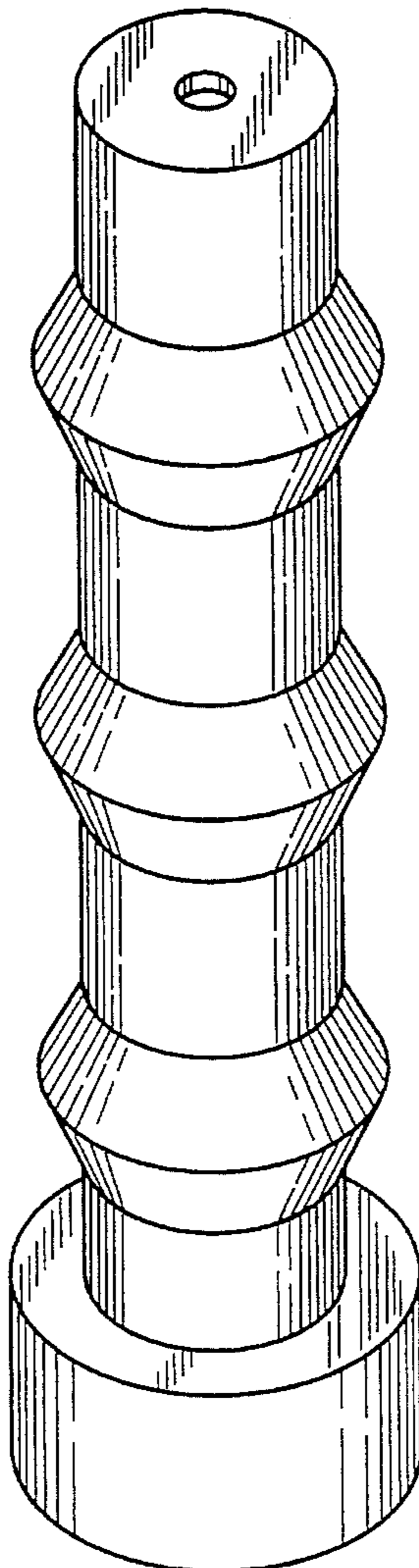
[57] CLAIM

The ornamental design for a still, as shown and described.

DESCRIPTION

FIG. 1 is an perspective, view of a still made in accordance with our design;
 FIG. 2 is a front view showing the still of FIG. 1;
 FIG. 3 is rear view showing the still of FIG. 1;
 FIG. 4 is left side view showing the still of FIG. 1;
 FIG. 5 is a right side view showing the still of FIG. 1; and,
 FIG. 6 is a top view showing the still of FIG. 1.

1 Claim, 3 Drawing Sheets



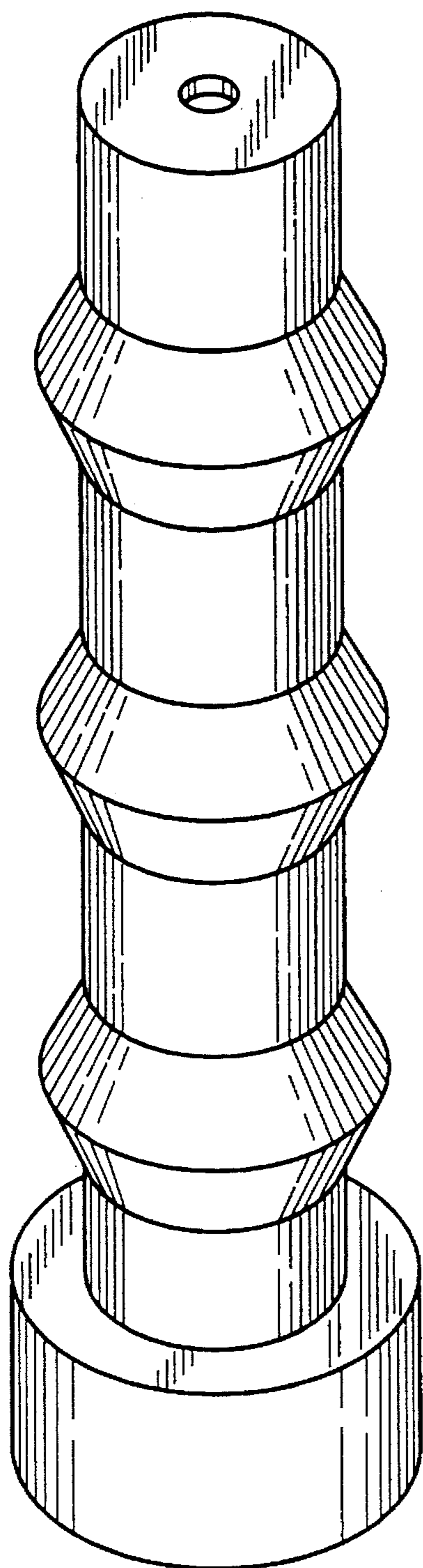


FIG. 1

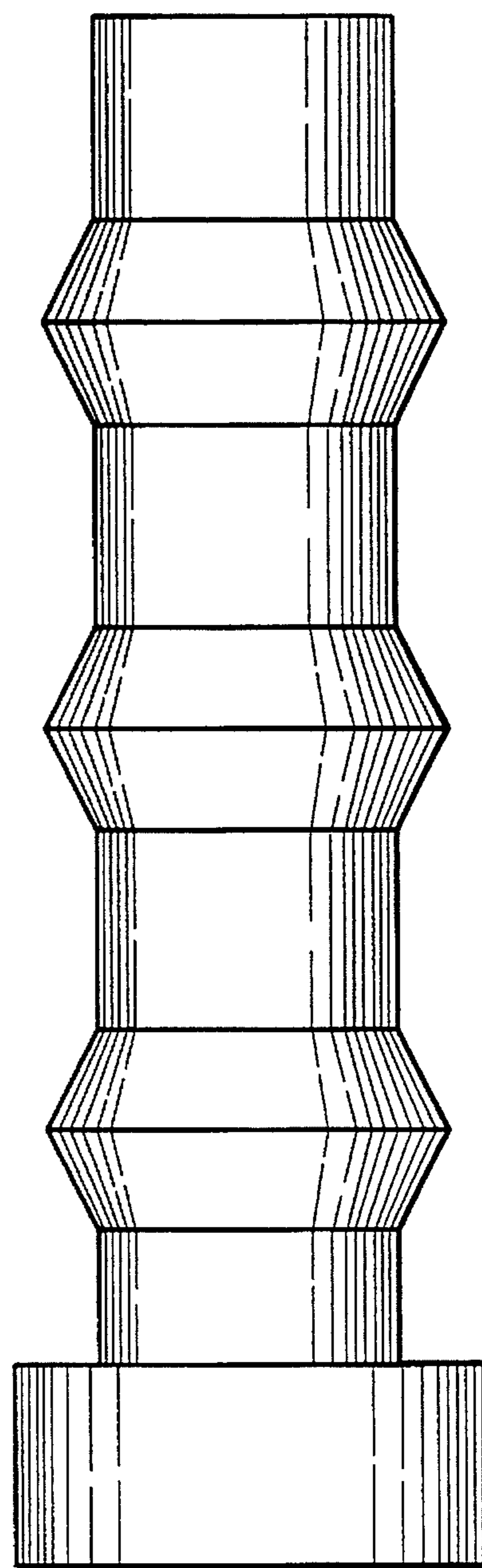


FIG. 2

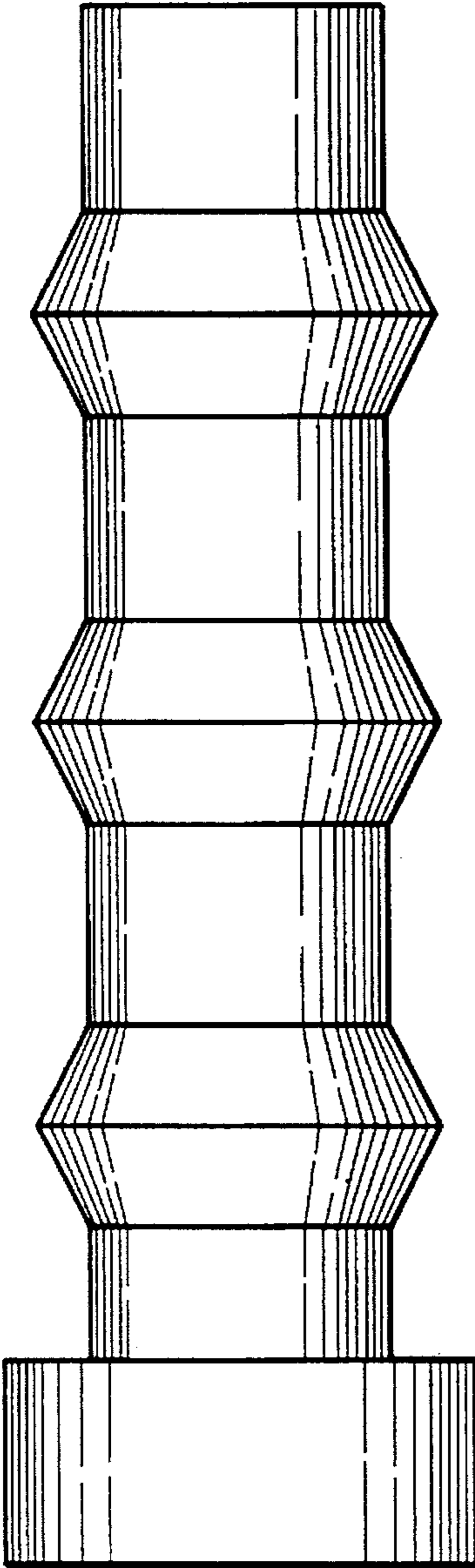


FIG. 3

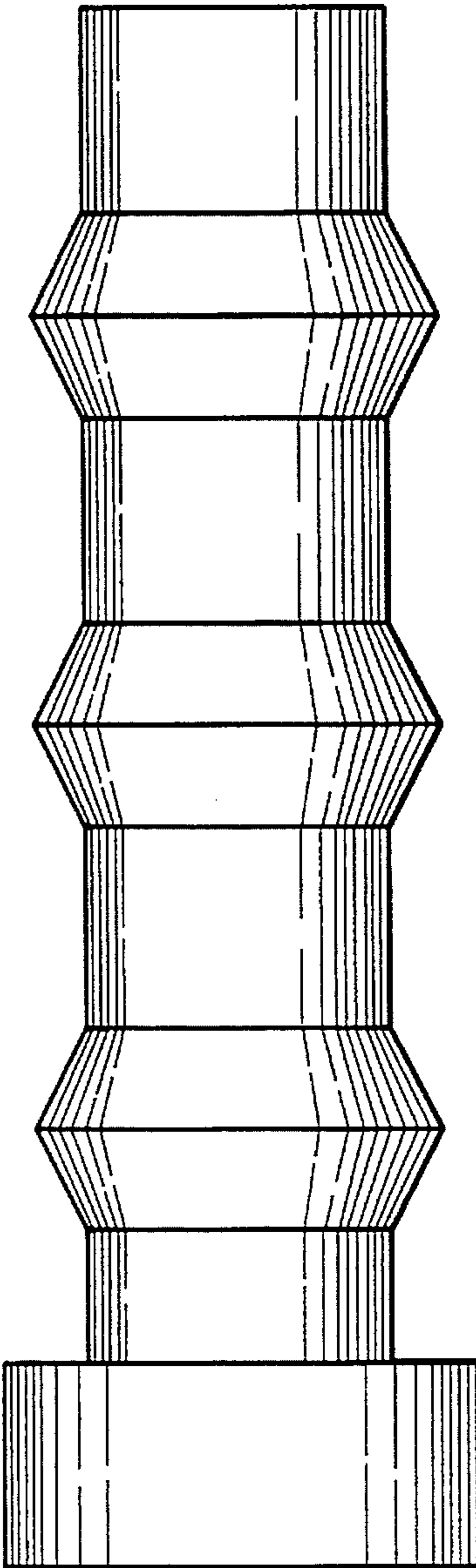


FIG. 4

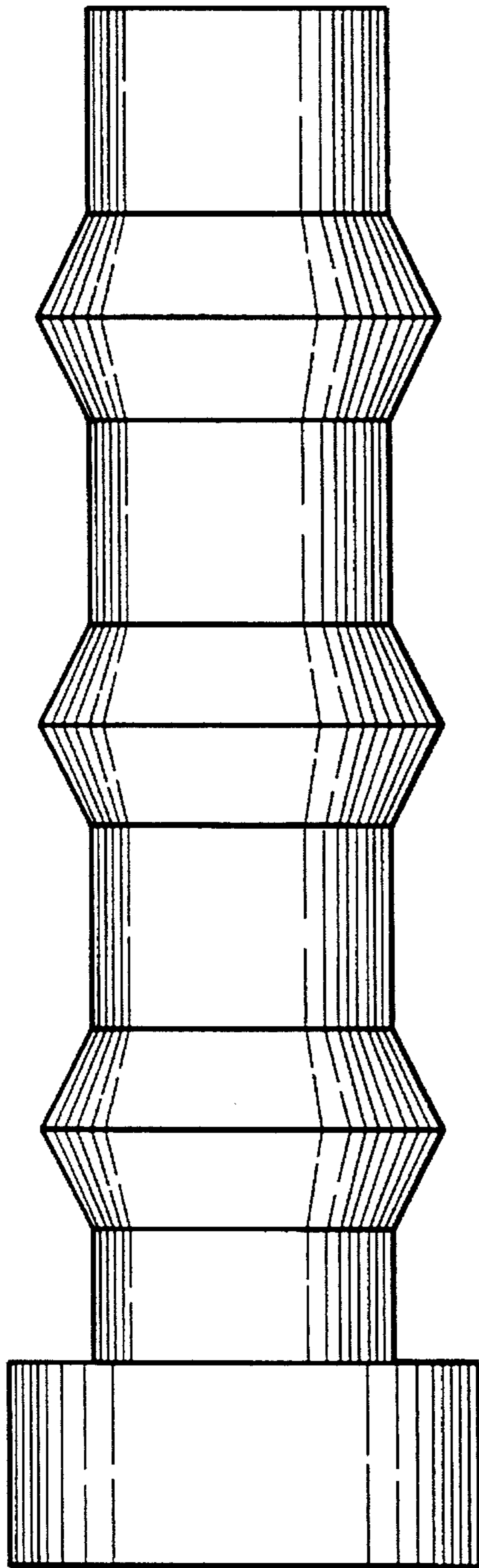


FIG. 5

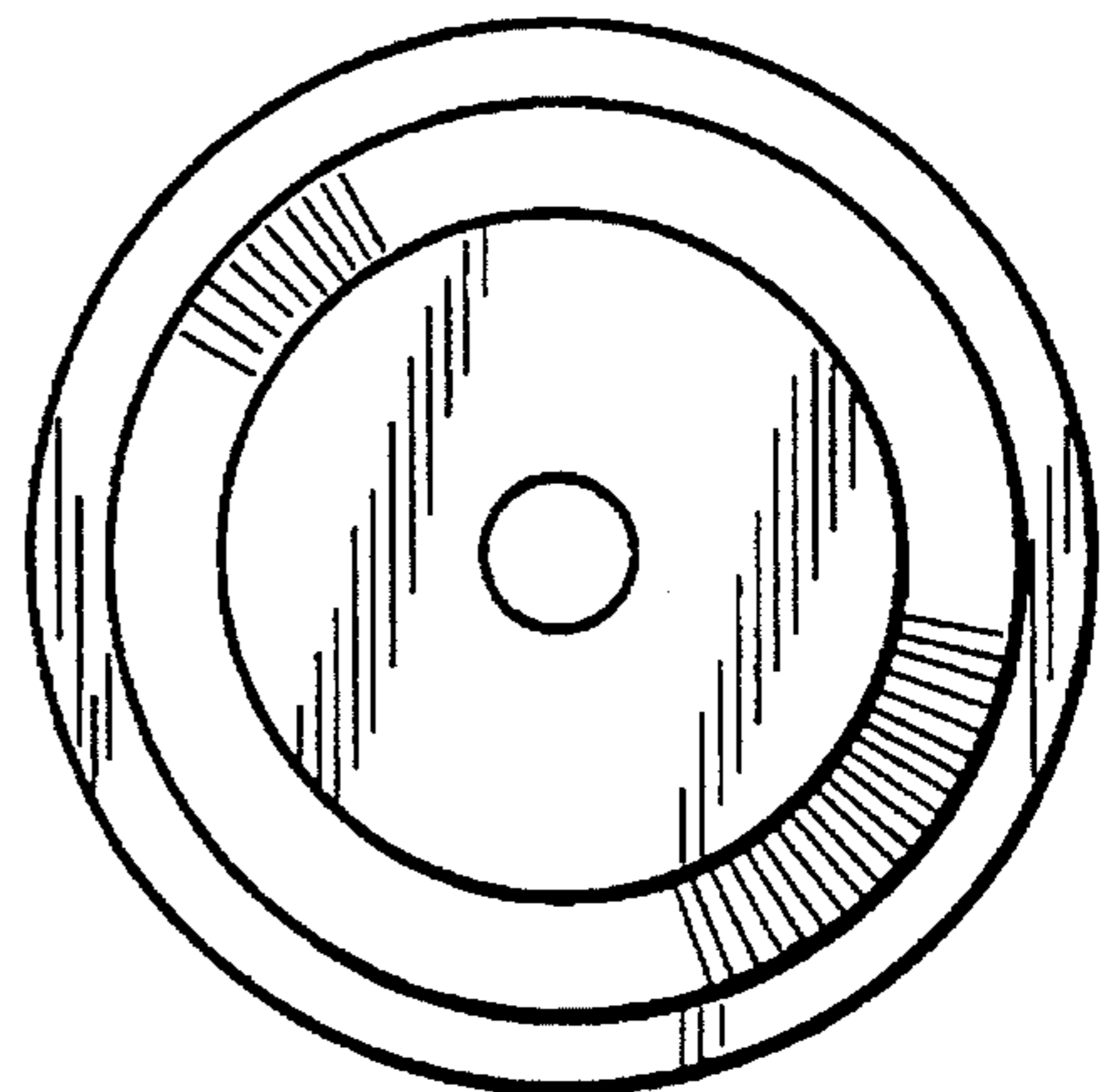


FIG. 6