



US00D363757S

United States Patent [19] Hagstrand

[11] Patent Number: **Des. 363,757**

[45] Date of Patent: ****Oct. 31, 1995**

[54] **WATER PURIFIER**

[75] Inventor: **Olof Hagstrand**, Stockholm, Sweden

[73] Assignee: **HVR Invest AB**, Stockholm, Sweden

[**] Term: **14 Years**

[21] Appl. No.: **878,873**

[22] Filed: **May 4, 1992**

[30] **Foreign Application Priority Data**

Nov. 6, 1991 [SE] Sweden 91-2214

[52] U.S. Cl. **D23/207**

[58] **Field of Search** D23/207-210;
210/97, 198.1, 205-206, 231, 244-246,
257.1-257.2, 258, 260-261, 275, 282, 287-290,
295, 321.6, 321.78, 348, 416.3, 443-449

[56] **References Cited**

U.S. PATENT DOCUMENTS

D. 202,889 11/1965 Leamy D23/207

D. 267,032	11/1982	Lafontaine	D23/207
D. 295,656	5/1988	Bond et al.	D23/207
D. 313,642	1/1991	Carrano et al.	D23/207
D. 325,767	4/1992	Östlund	D23/207
D. 331,963	12/1992	Williams	D23/209
D. 341,871	11/1993	Bannigan	D23/209

Primary Examiner—Melanie H. Tung
Attorney, Agent, or Firm—Shenier & O'Connor

[57] **CLAIM**

The ornamental design for a water purifier, as shown and described.

DESCRIPTION

FIG. 1 is a front perspective view of a water purifier showing my new design;

FIG. 2 is a rear perspective view thereof;

FIG. 3 is a top plan view thereof;

FIG. 4 is a bottom plan view thereof; and,

FIG. 5 is a right side elevational view thereof, the left side elevational view being a mirror image.

1 Claim, 3 Drawing Sheets

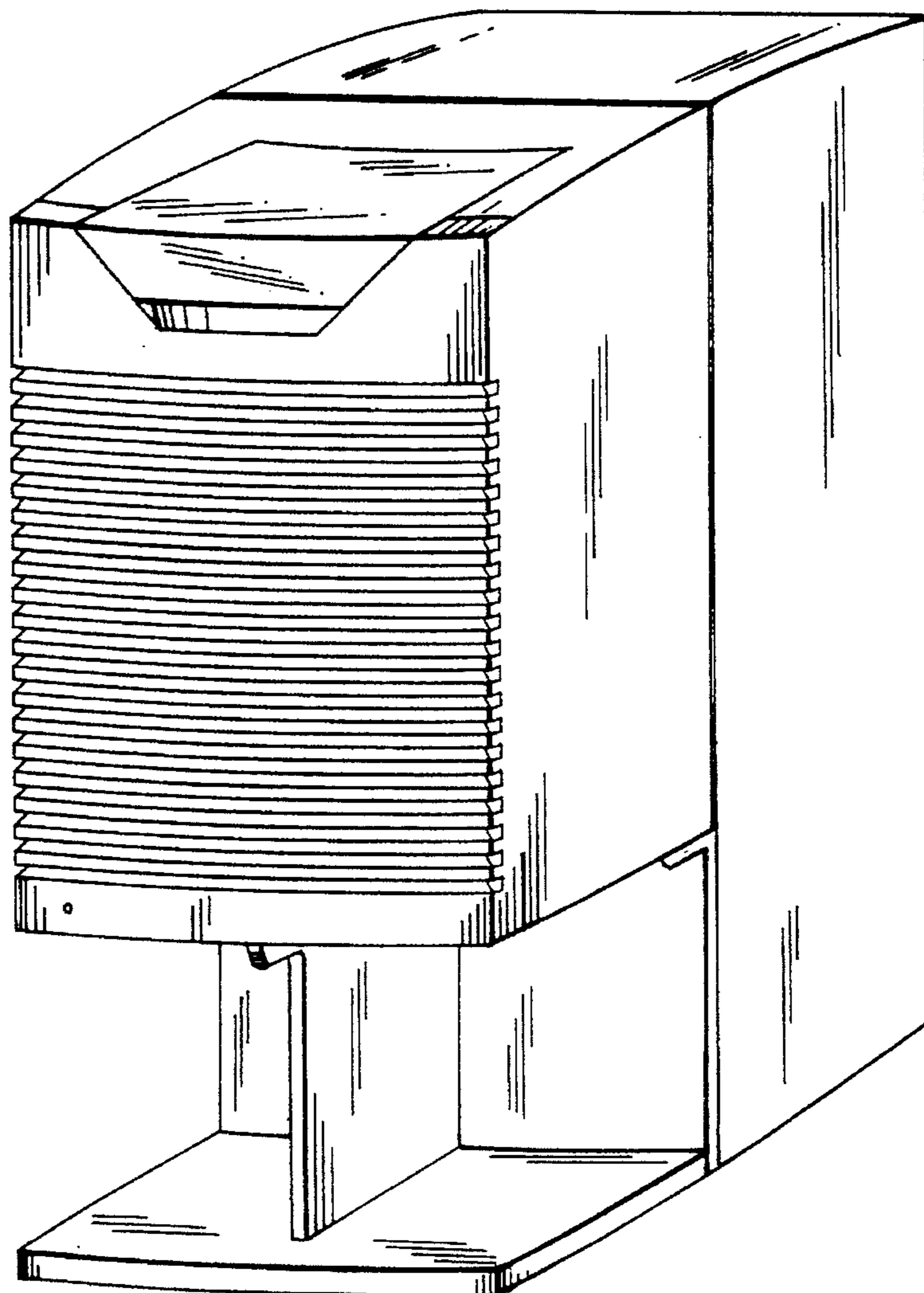
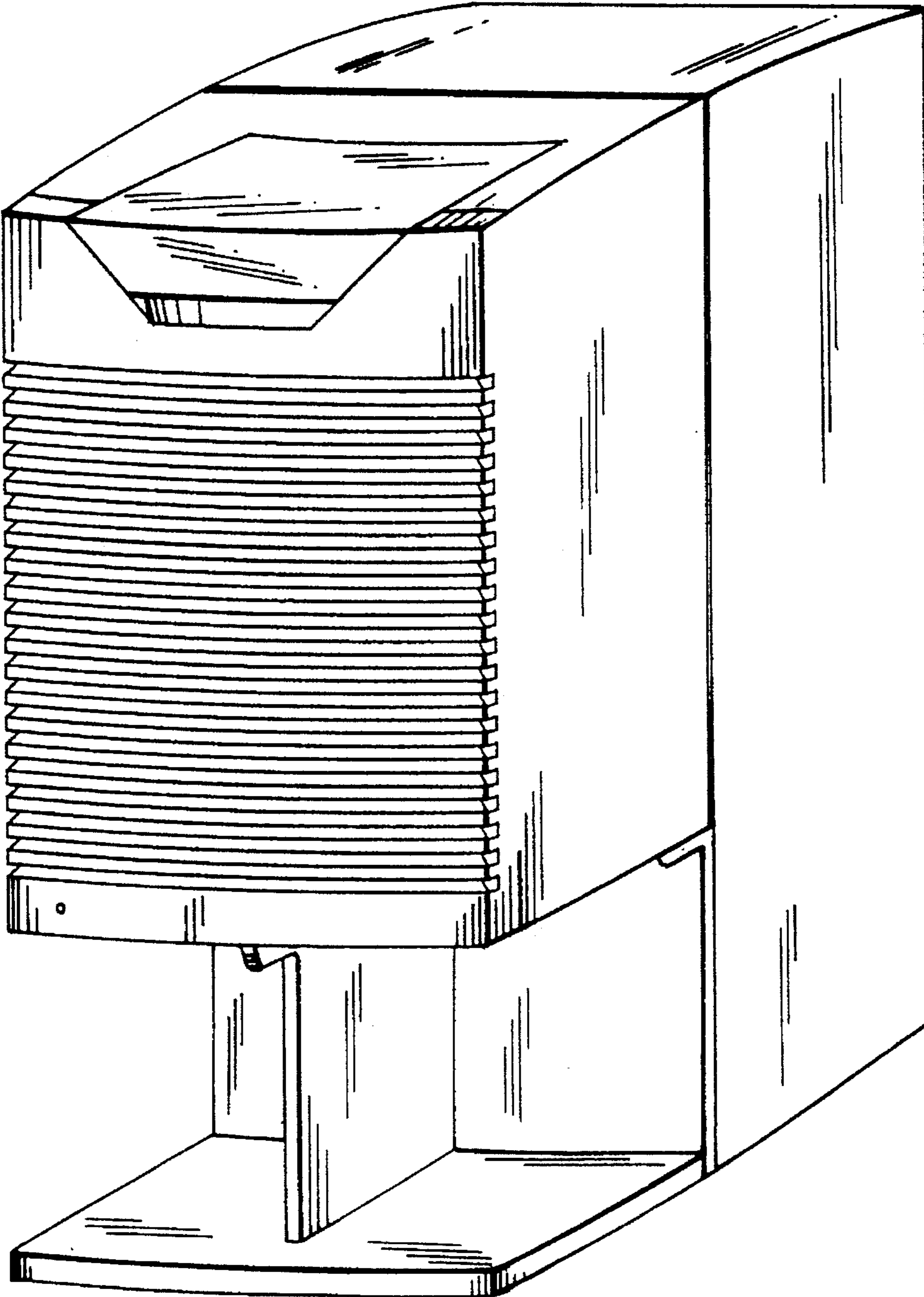


Fig. 1



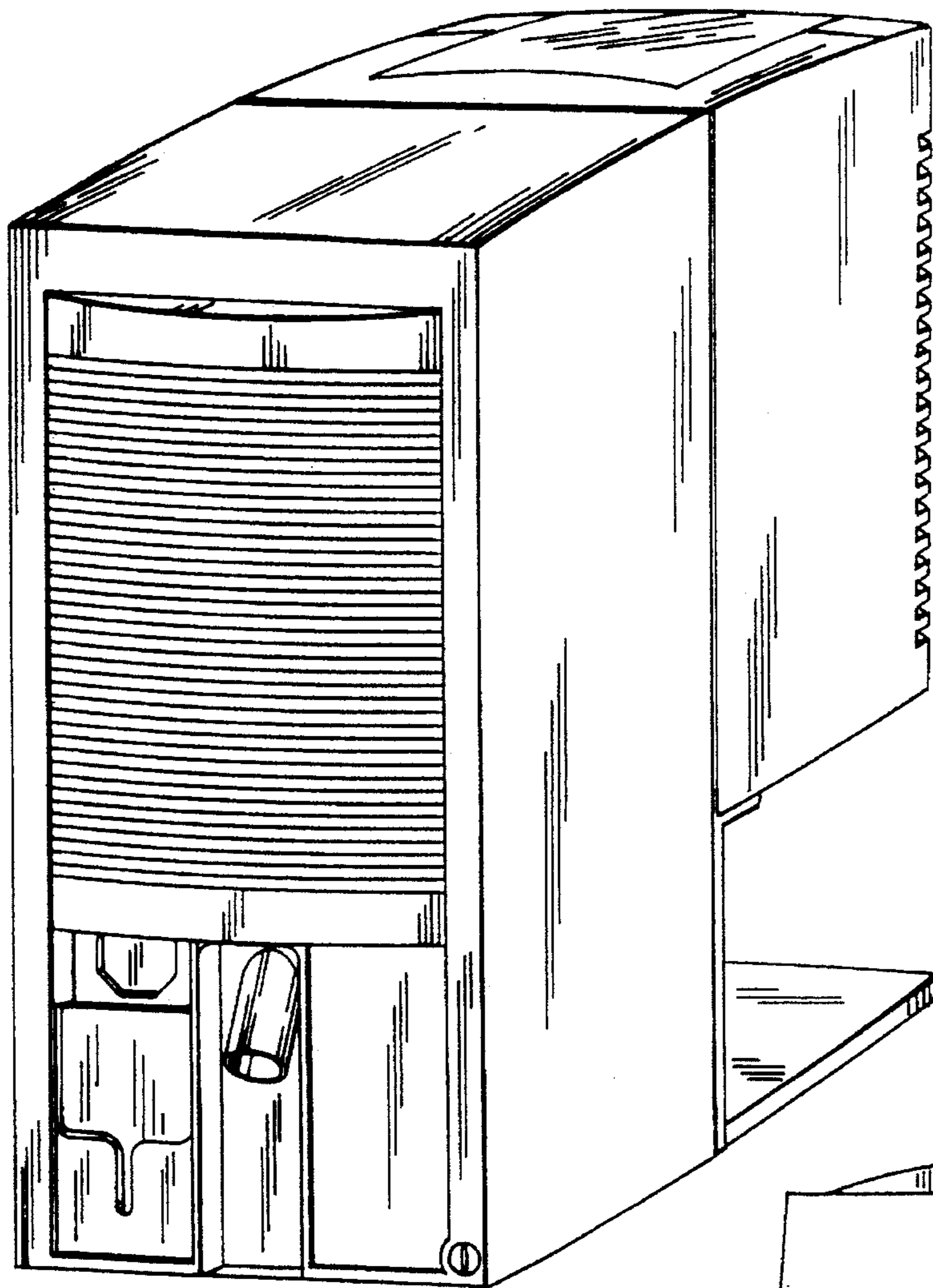


Fig. 2

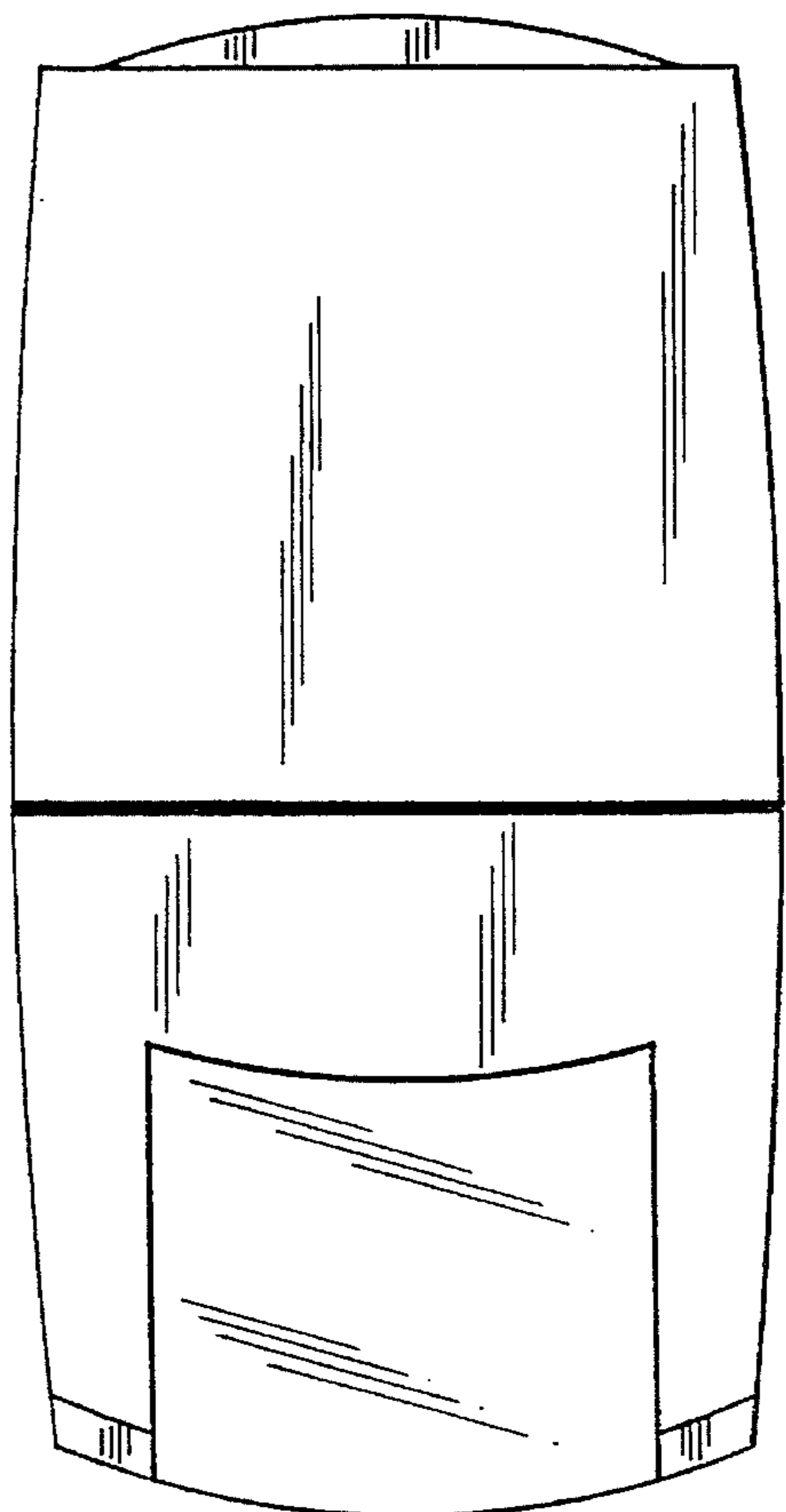


Fig. 3

Fig. 4

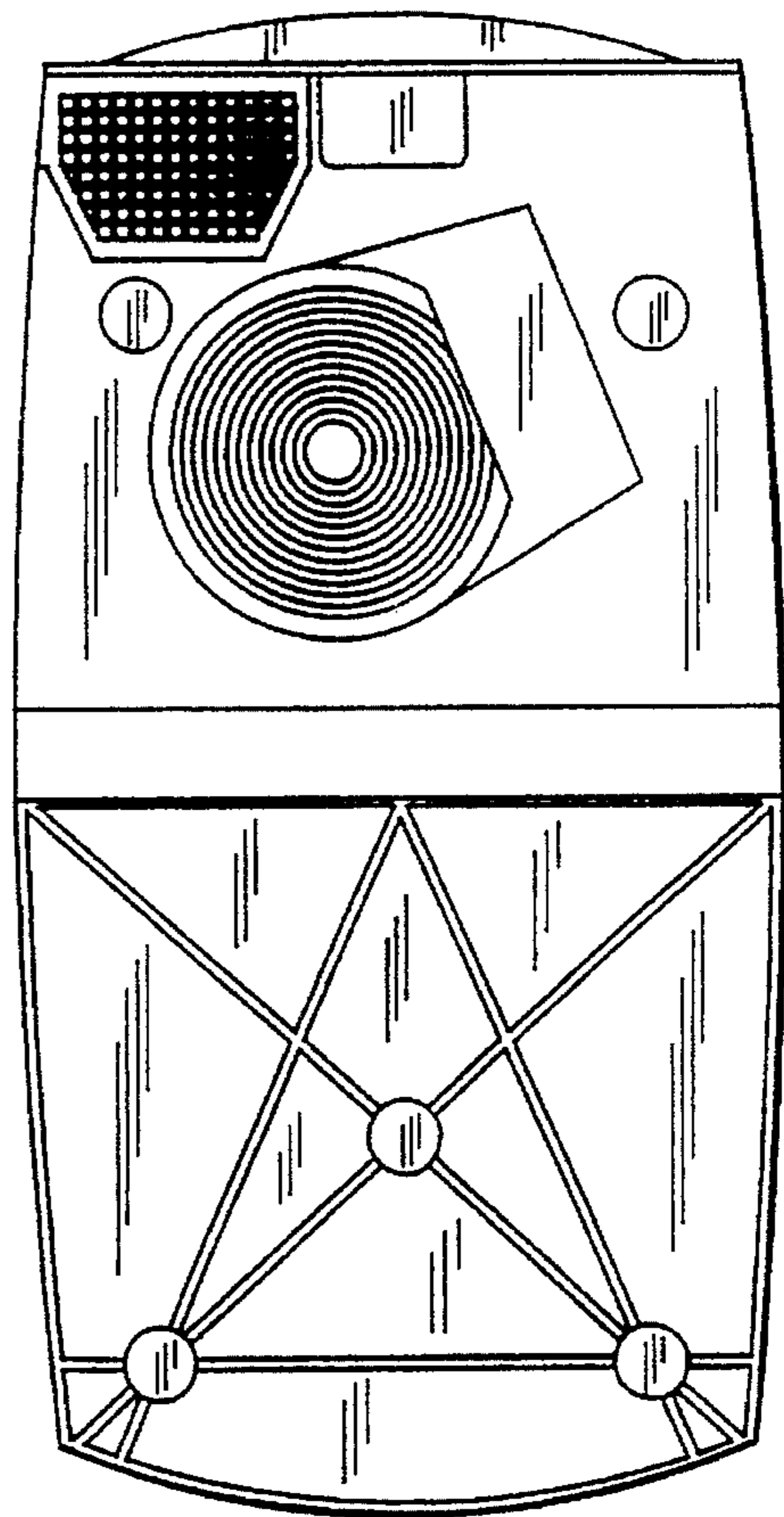


Fig. 5

