



US00D363753S

United States Patent [19]

[11] Patent Number: **Des. 363,753**

Estrada et al.

[45] Date of Patent: ****Oct. 31, 1995**

[54] **FISHING HARNESS FOR AN INNER TUBE**

5,230,646 7/1993 Thorup 441/131

[76] Inventors: **Daniel G. Estrada**, 3933 English Oak Dr., Doraville, Ga. 30340; **Mark A. Estrada**, N. 4527 Royal Ct., Spokane, Wash. 99205

OTHER PUBLICATIONS

Johnny Morris White River Fly Shop Catalog © 1992, p. 42, Standard Belly Boat.

[**] Term: **14 Years**

Primary Examiner—Doris V. Coles
Attorney, Agent, or Firm—Kennedy & Kennedy

[21] Appl. No.: **9,741**

[57] CLAIM

[22] Filed: **Jun. 21, 1993**

The ornamental design for a fishing harness for an inner tube, as shown and described.

[52] U.S. Cl. **D21/237**; D21/236; D22/134

[58] **Field of Search** D22/134, 146; D21/236, 237, 238; D12/316, 317; 441/131, 130, 126, 129; 114/345, 346, 363

DESCRIPTION

FIG. 1 is a perspective view of a fishing harness for an inner tube showing our new design; FIG. 2 is a top view thereof; FIG. 3 is a rear view thereof; FIG. 4 is a front view thereof; FIG. 5 is a right side view thereof, the left side being a mirror image; and, FIG. 6 is a bottom view thereof.

The broken line showing of an inner tube in FIG. 1 is for illustrative purposes only and forms no part of the claimed design.

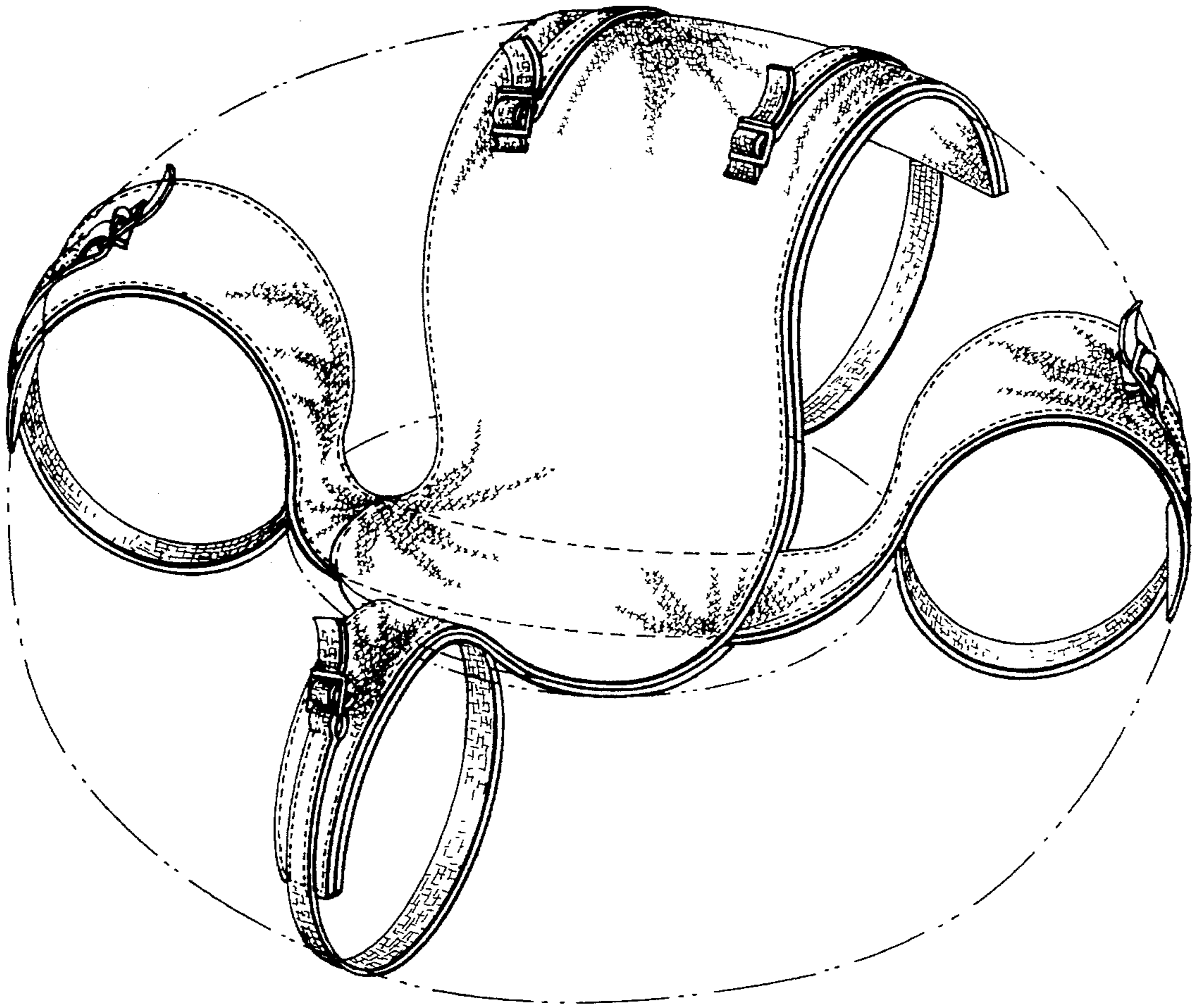
The broken lines on the claimed design in all views represent conventional top stitching.

[56] References Cited

U.S. PATENT DOCUMENTS

D. 263,616	3/1982	Canty	D22/146 X
1,869,186	7/1932	Davidson	441/131
2,051,281	8/1936	Webber	441/131
2,435,497	2/1948	Hajduk	441/131
2,724,843	11/1955	Kimball	D21/238 X
2,958,876	11/1960	Garrett	441/131
3,324,488	6/1967	Schulz, Jr.	441/131 X
4,938,722	7/1990	Rizley	441/131 X
4,973,278	11/1990	Williams	D21/237 X
5,046,978	9/1991	Howerton	441/131

1 Claim, 4 Drawing Sheets



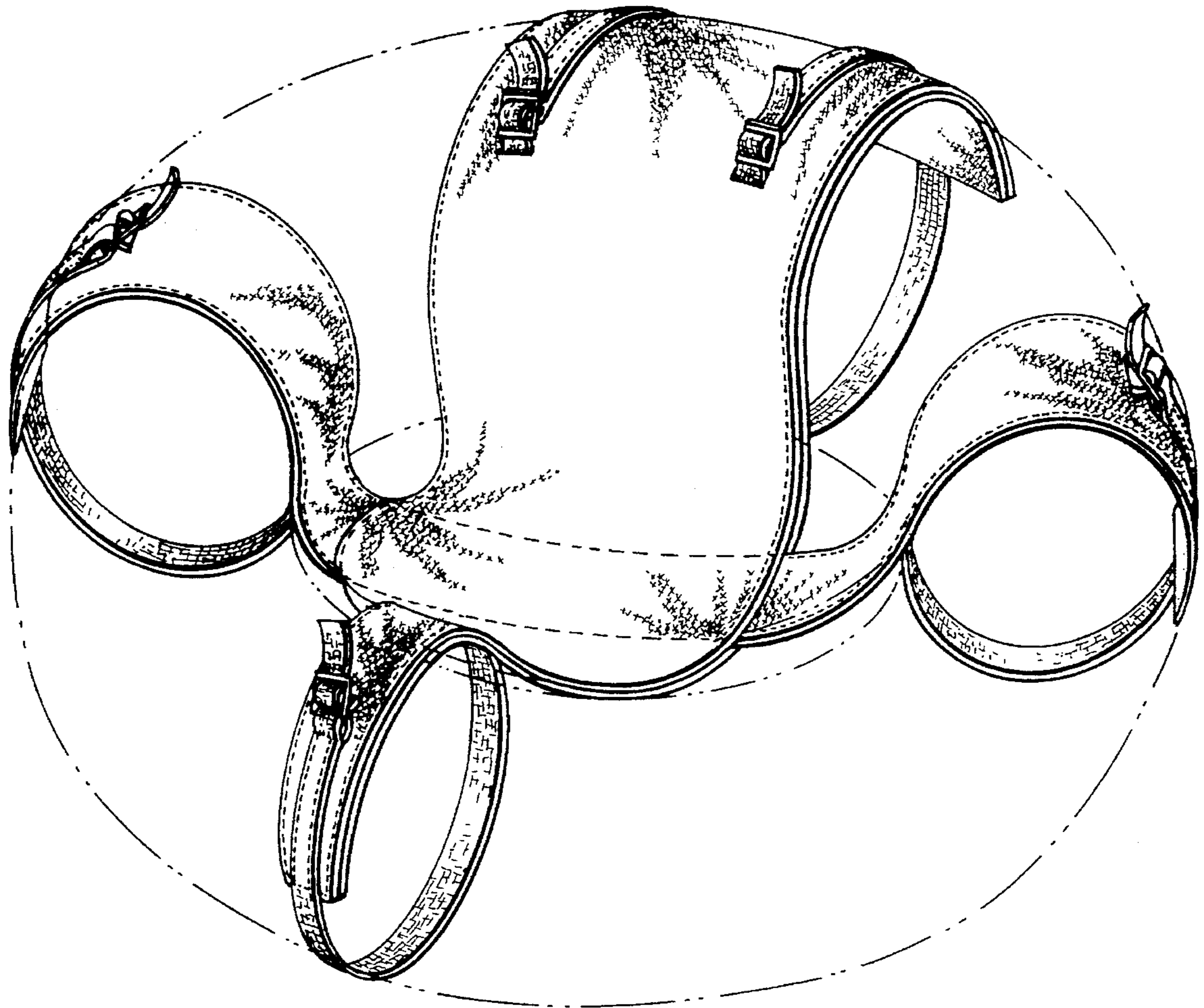


FIG 1

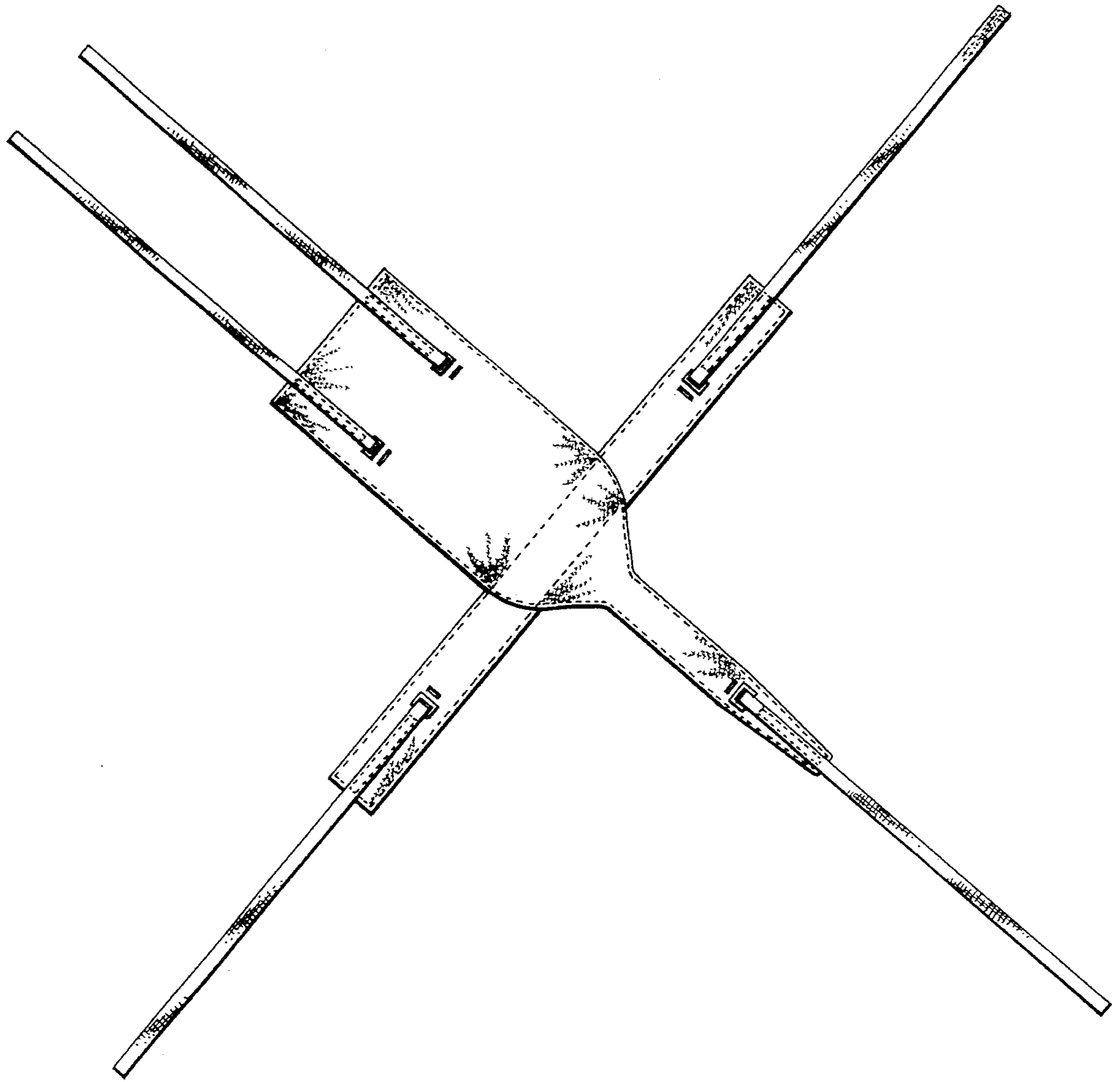


FIG 2



FIG 3



FIG 4



FIG 5

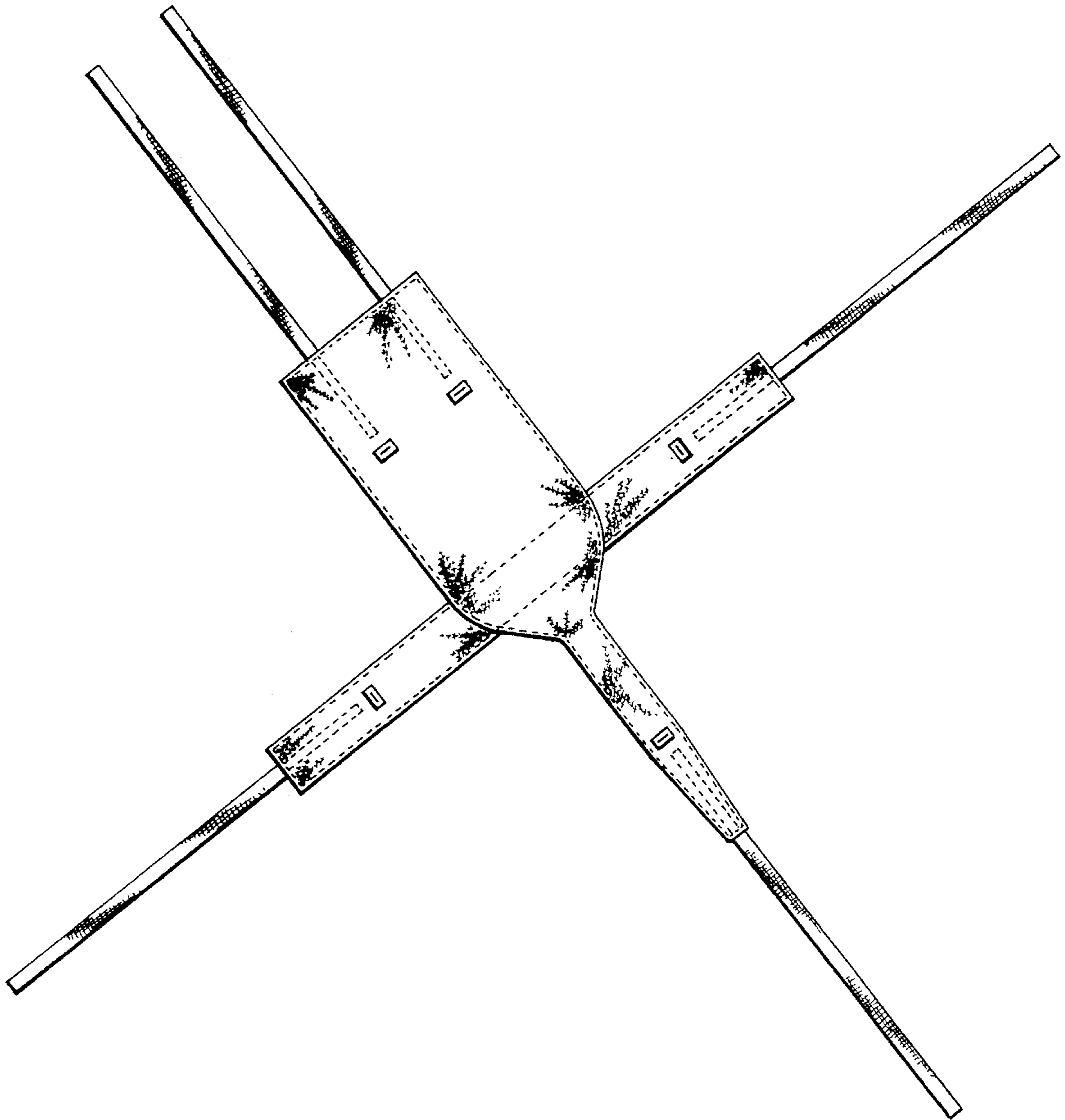


FIG 6