



US00D363747S

# United States Patent [19] Gvoich

[11] Patent Number: **Des. 363,747**

[45] Date of Patent: **\*\*Oct. 31, 1995**

[54] **EXERCISE BENCH**

5,387,166 2/1995 Gvoich ..... 482/52

[75] Inventor: **Ned Gvoich**, Beamsville, Canada

[73] Assignee: **Kor-One, Ltd.**, Tempe, Ariz.

[\*\*] Term: **14 Years**

[21] Appl. No.: **31,366**

[22] Filed: **Nov. 23, 1994**

[52] U.S. Cl. .... **D21/191**

[58] Field of Search ..... D21/191, 192,  
D21/193; 482/51, 52, 57, 143, 144, 53;  
D6/349, 350

[56] **References Cited**

**U.S. PATENT DOCUMENTS**

D. 339,179	7/1993	Wilkinson	.....	D21/191
D. 342,298	12/1993	Schnabel et al.	.....	D21/191
4,730,826	3/1988	Sudmeier	.....	482/71
5,118,095	6/1992	Flor	.....	482/52
5,158,512	10/1992	Irwin et al.	.....	482/52
5,277,675	1/1994	Shifferaw	.....	482/52
5,290,210	3/1994	Hard et al.	.....	482/51

**OTHER PUBLICATIONS**

Gerstung—"Board" Apr., 1993.

*Primary Examiner*—Ted Shooman

*Assistant Examiner*—Philip Hyder

*Attorney, Agent, or Firm*—Sand & Sebolt

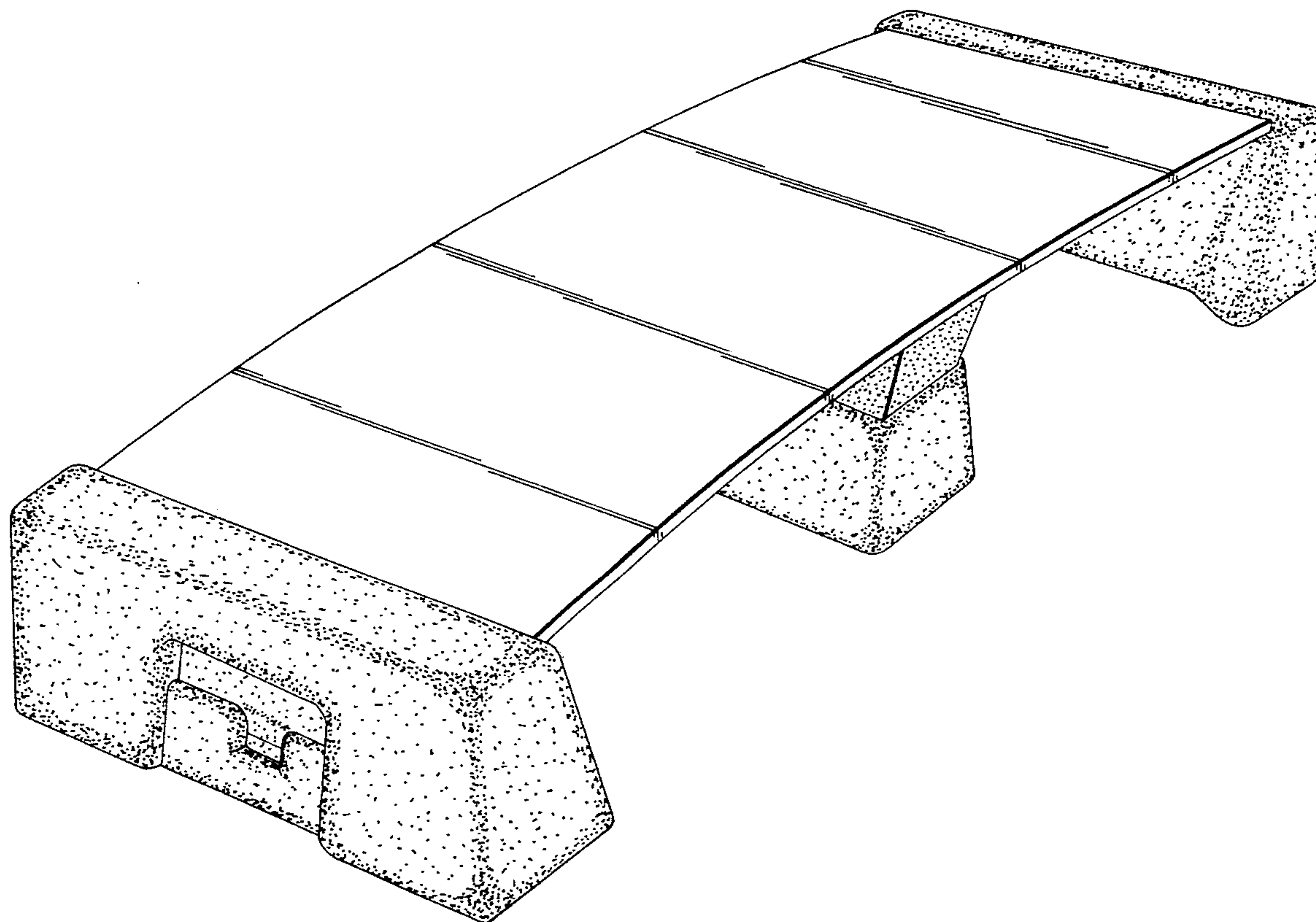
[57] **CLAIM**

The ornamental design for an exercise bench, as shown and described.

**DESCRIPTION**

FIG. 1 is a perspective view of an exercise bench;  
FIG. 2 is a bottom perspective view of FIG. 1;  
FIG. 3 is a reduced top plan view of FIG. 1;  
FIG. 4 is a front elevational view of FIG. 3, the rear side being a mirror image;  
FIG. 5 is a right side elevational view of FIG. 3, the left side being a mirror image; and,  
FIG. 6 is a bottom plan view of FIG. 3.

**1 Claim, 3 Drawing Sheets**



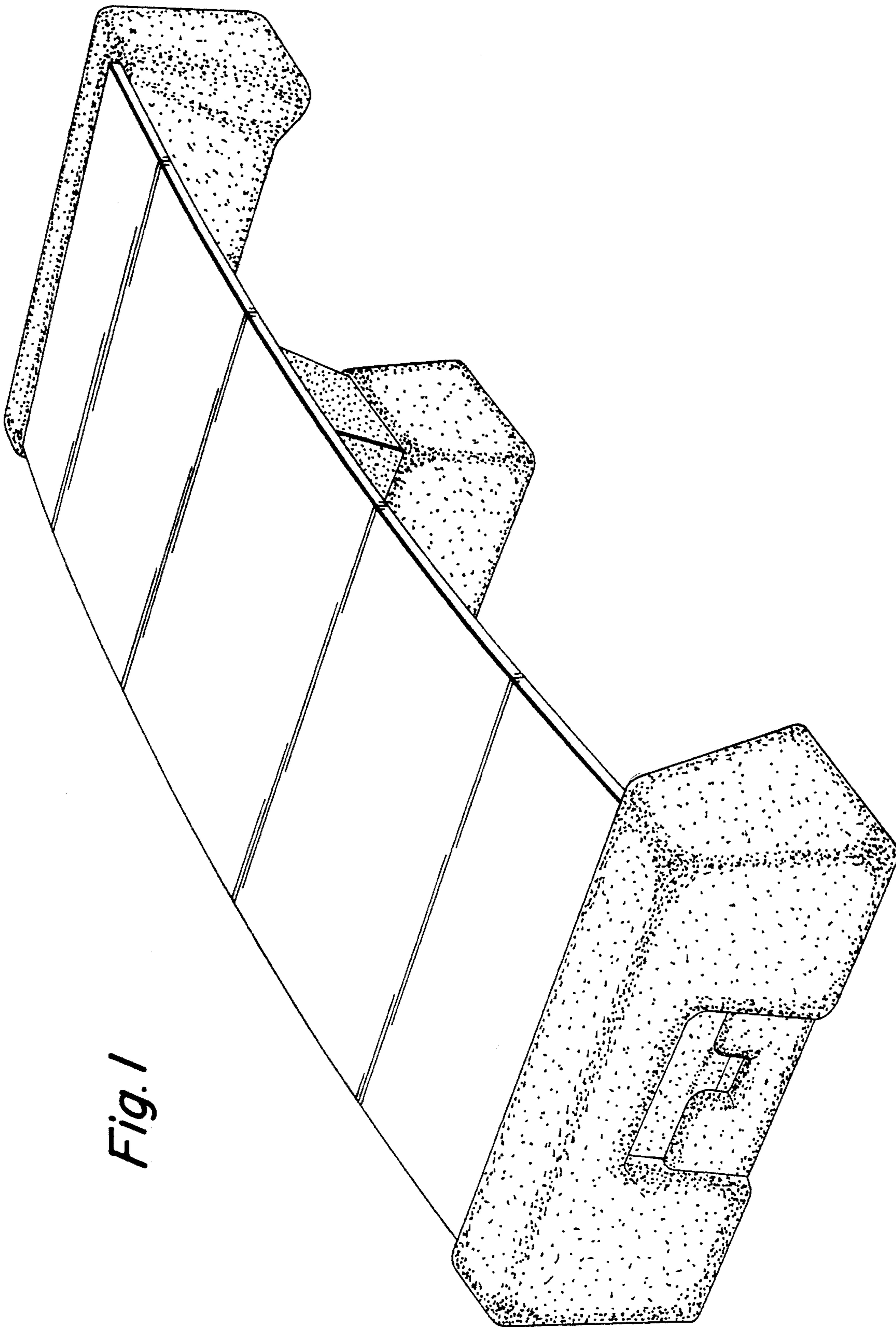


Fig. 1

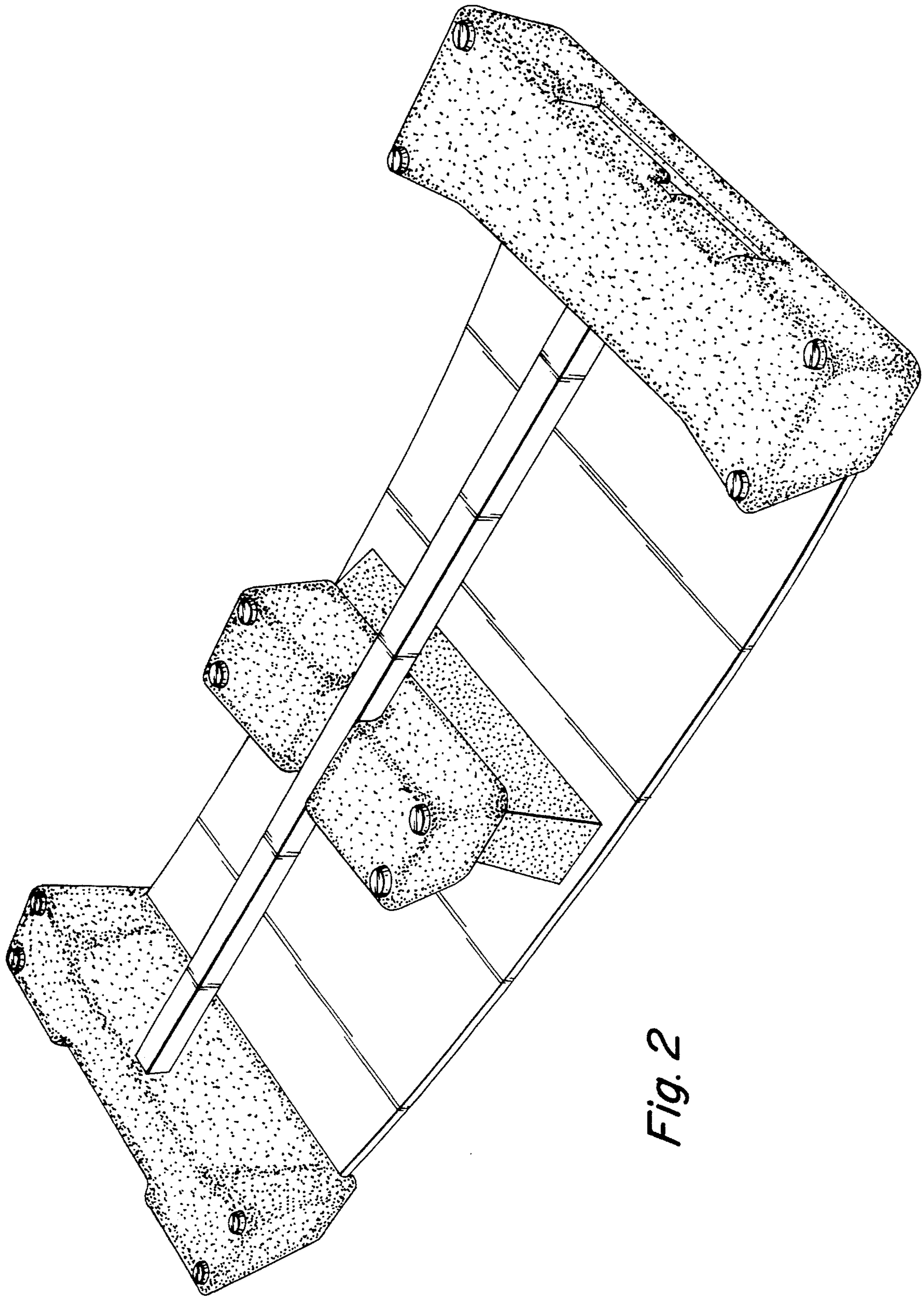
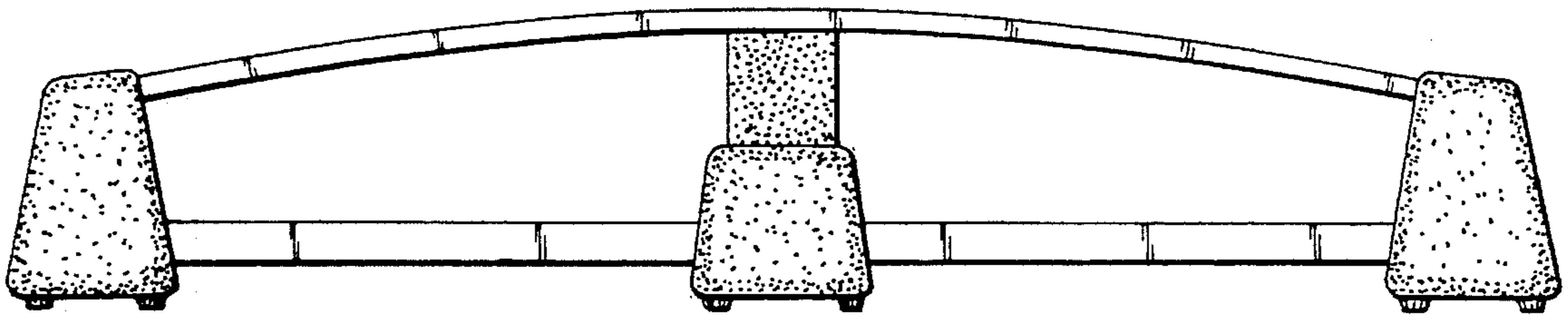


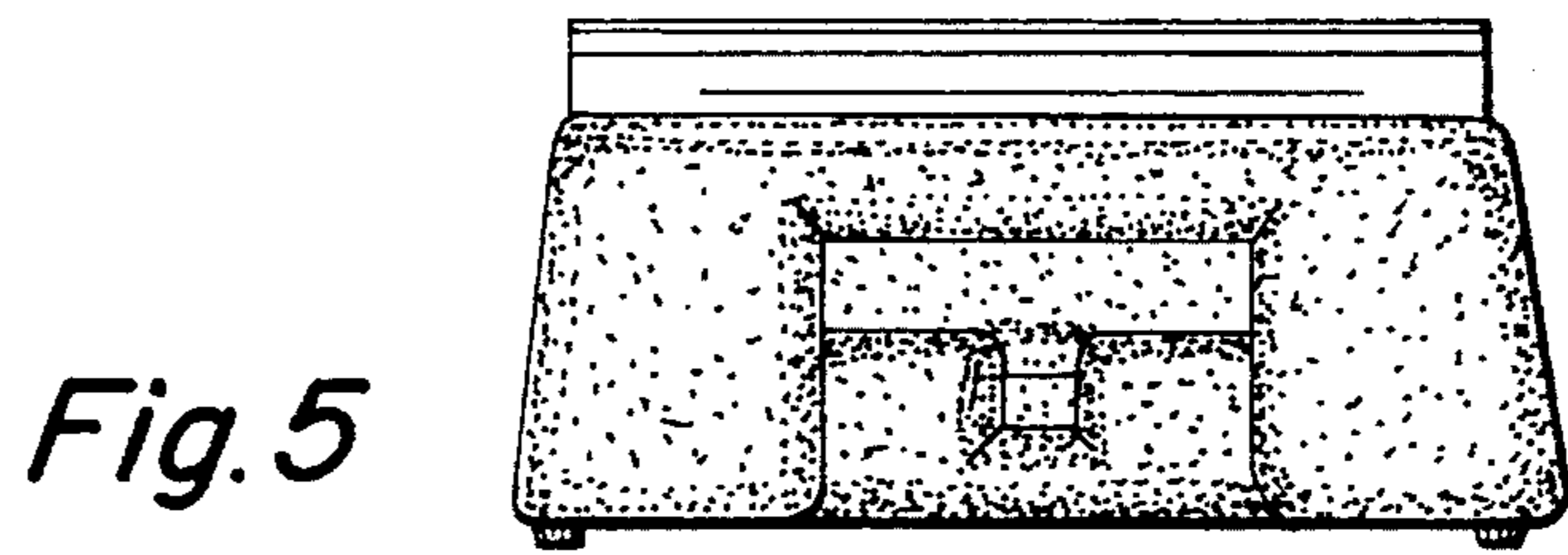
Fig. 2



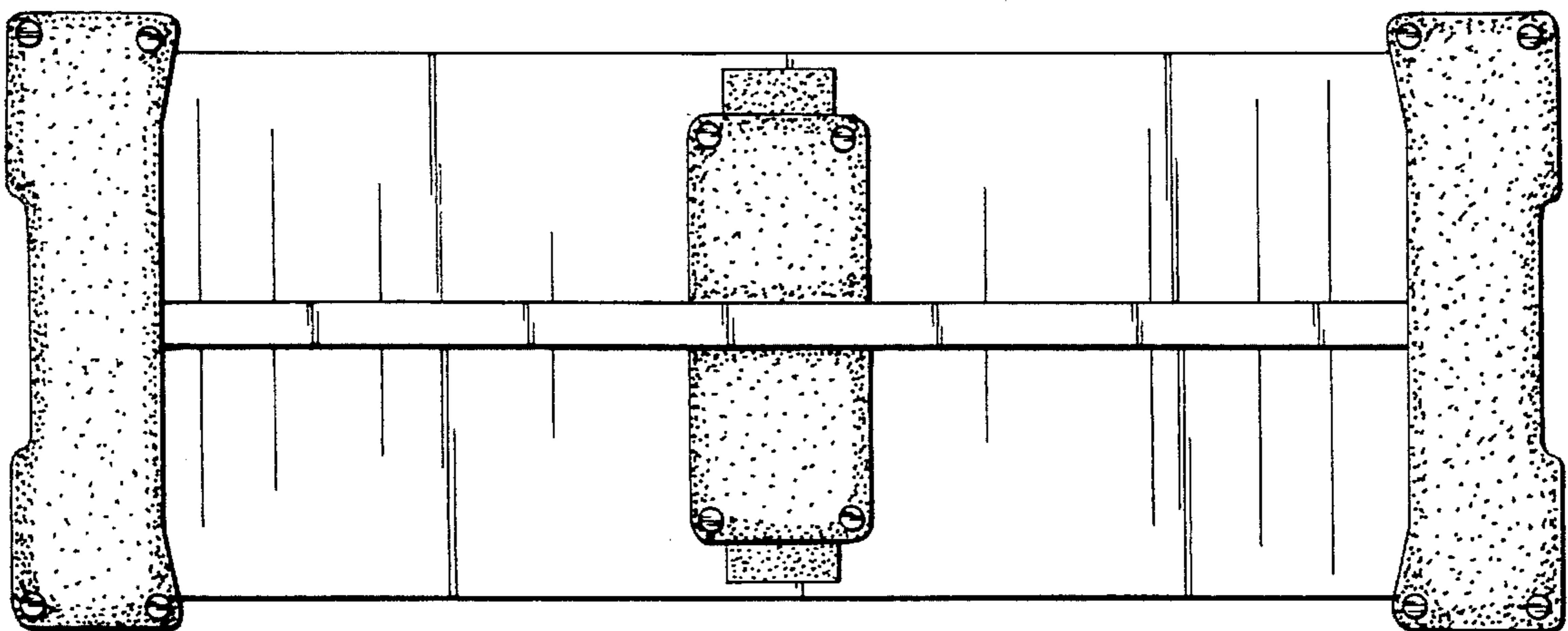
*Fig. 3*



*Fig. 4*



*Fig. 5*



*Fig. 6*