



US00D363746S

# United States Patent [19]

[11] Patent Number: **Des. 363,746**

**Kino**

[45] Date of Patent: **\*\*Oct. 31, 1995**

[54] **TOY WATERING POT**

[75] Inventor: **Moriya Kino**, Yokohama, Japan

[73] Assignee: **Royal Co., Ltd.**, Japan

[\*\*] Term: **14 Years**

[21] Appl. No.: **16,918**

[22] Filed: **Dec. 29, 1993**

[52] U.S. Cl. .... **D21/120**

[58] Field of Search ..... D21/120, 121;  
D23/211, 212; 239/376, 377, 378

Catalogue "Sunny Park" including Product's Toy mini watering pot, Toy watering pot and Toy watering pot II, issued 1990 by Royal Co., Ltd.

Catalogue including Product's No. 1750, issued 1988-1989 by HP Plast.

Catalogue including Product's Nos. 009140 and 009096, issued by Gowl.

*Primary Examiner*—Ted Shooman

*Assistant Examiner*—R. Barkai

*Attorney, Agent, or Firm*—Ostrolenk, Faber, Gerb & Soffen

## [57] CLAIM

The ornamental design for a toy watering pot, as shown and described.

## [56] References Cited

### U.S. PATENT DOCUMENTS

D. 272,457	1/1984	Clanton	.....	D23/212
D. 279,310	6/1985	Murphy	.....	D23/212
D. 315,755	3/1991	Raffo et al.	.....	D21/120
2,737,417	3/1956	Gundersen	.....	239/378

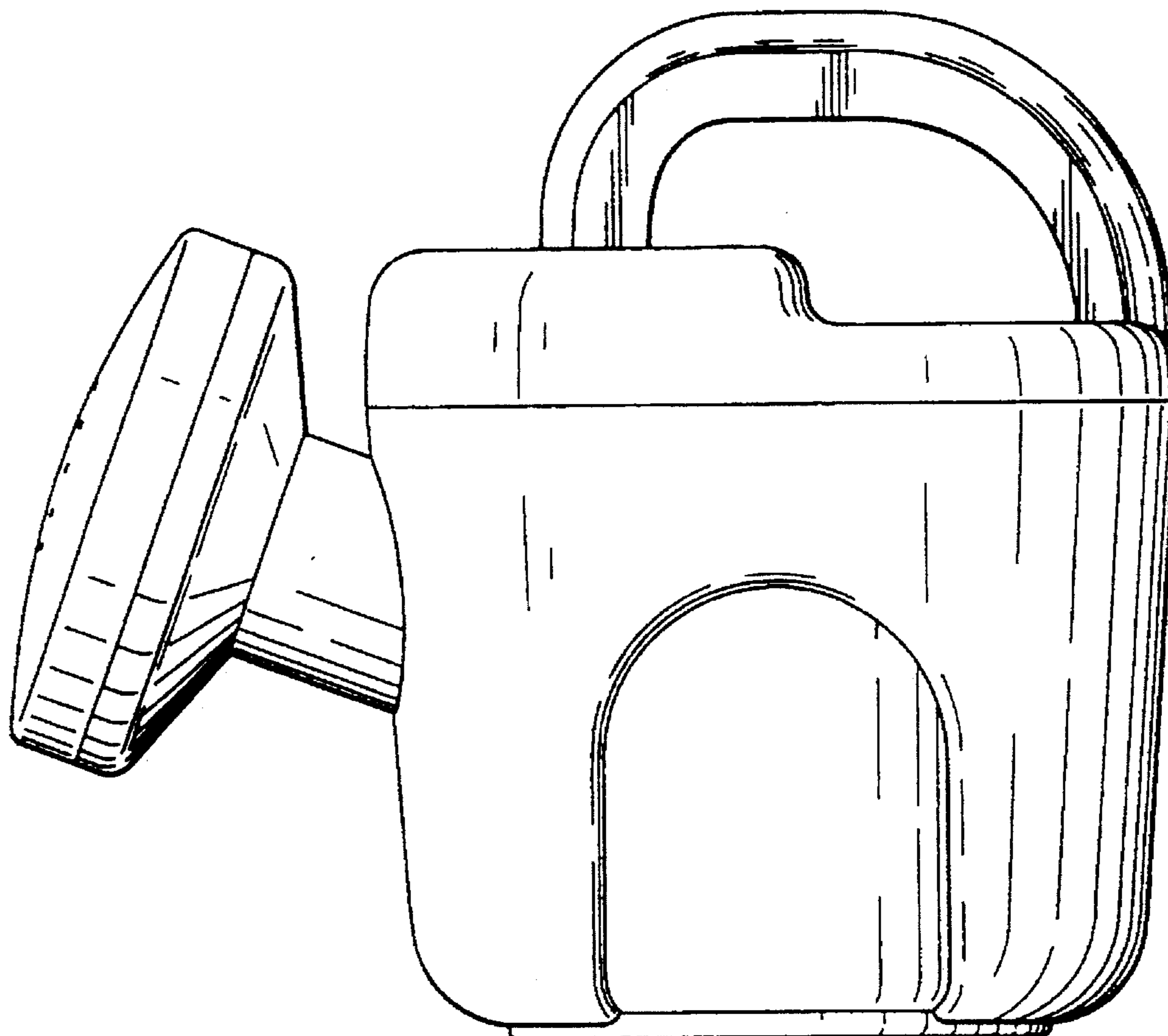
### OTHER PUBLICATIONS

Catalogue including "watering can of a (Sand Wagon)" and B (Watering Can), issued 1993 by Early Learning Centre.  
Catalogue including Product's Nos. 7365, 7361, and 7364, issued 1989 by Wader.

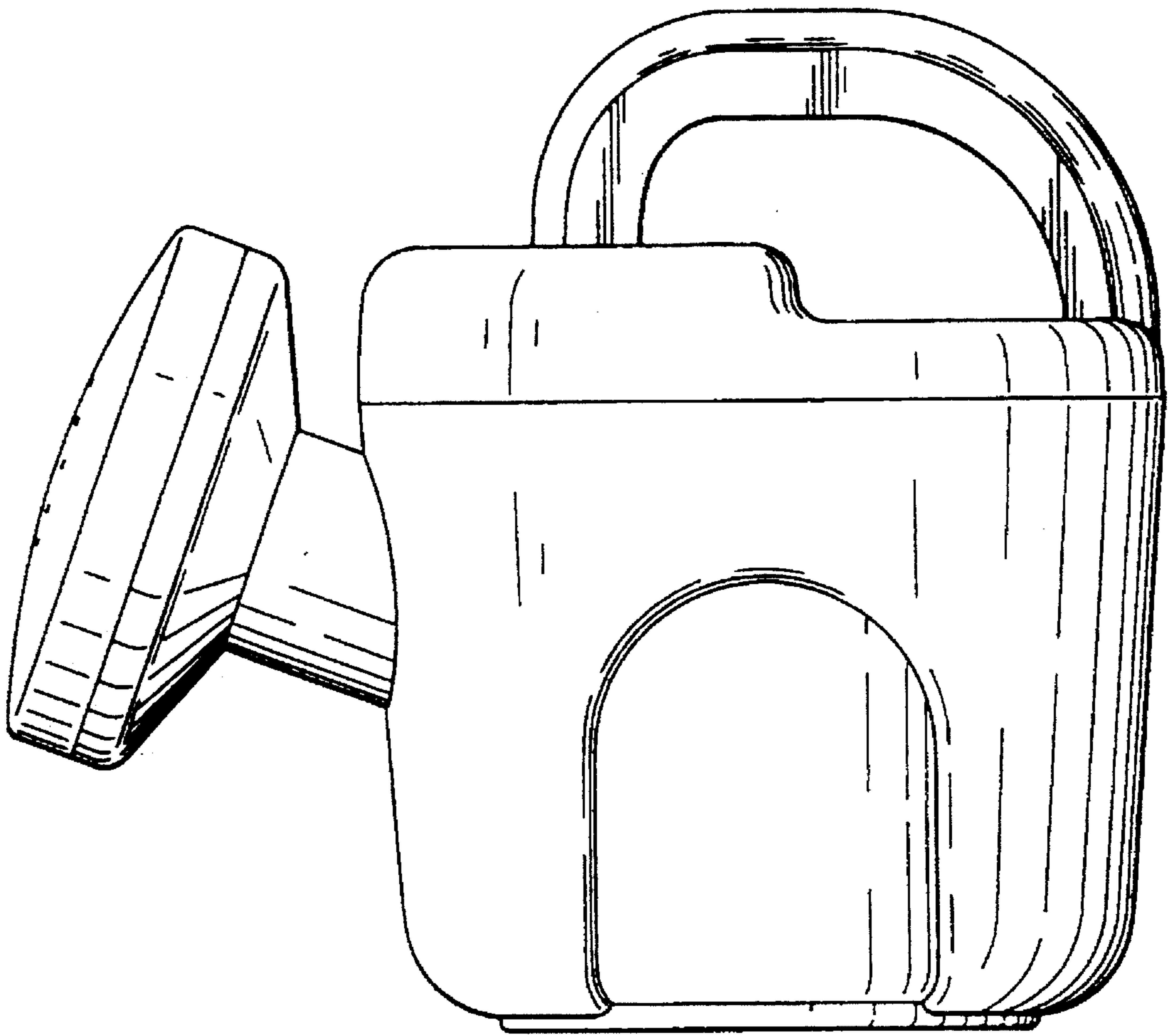
## DESCRIPTION

FIG. 1 is a front elevational view of a toy watering pot showing an embodiment of my new design and is also a mirror image of rear elevational view thereof; FIG. 2 is a left side elevational view thereof; FIG. 3 is a right side elevational view thereof; FIG. 4 is a top plan view thereof; and, FIG. 5 is a bottom plan view thereof.

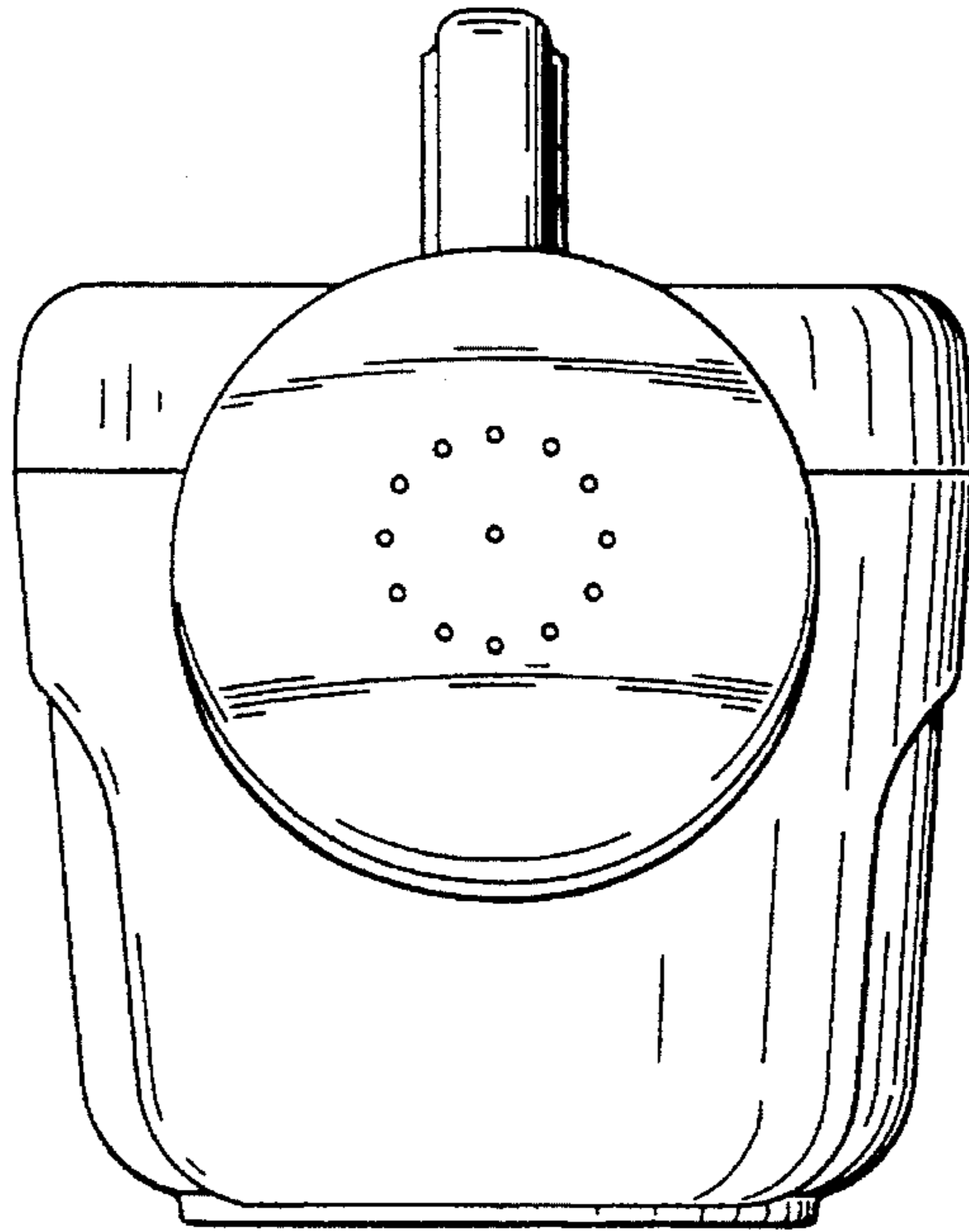
**1 Claim, 3 Drawing Sheets**



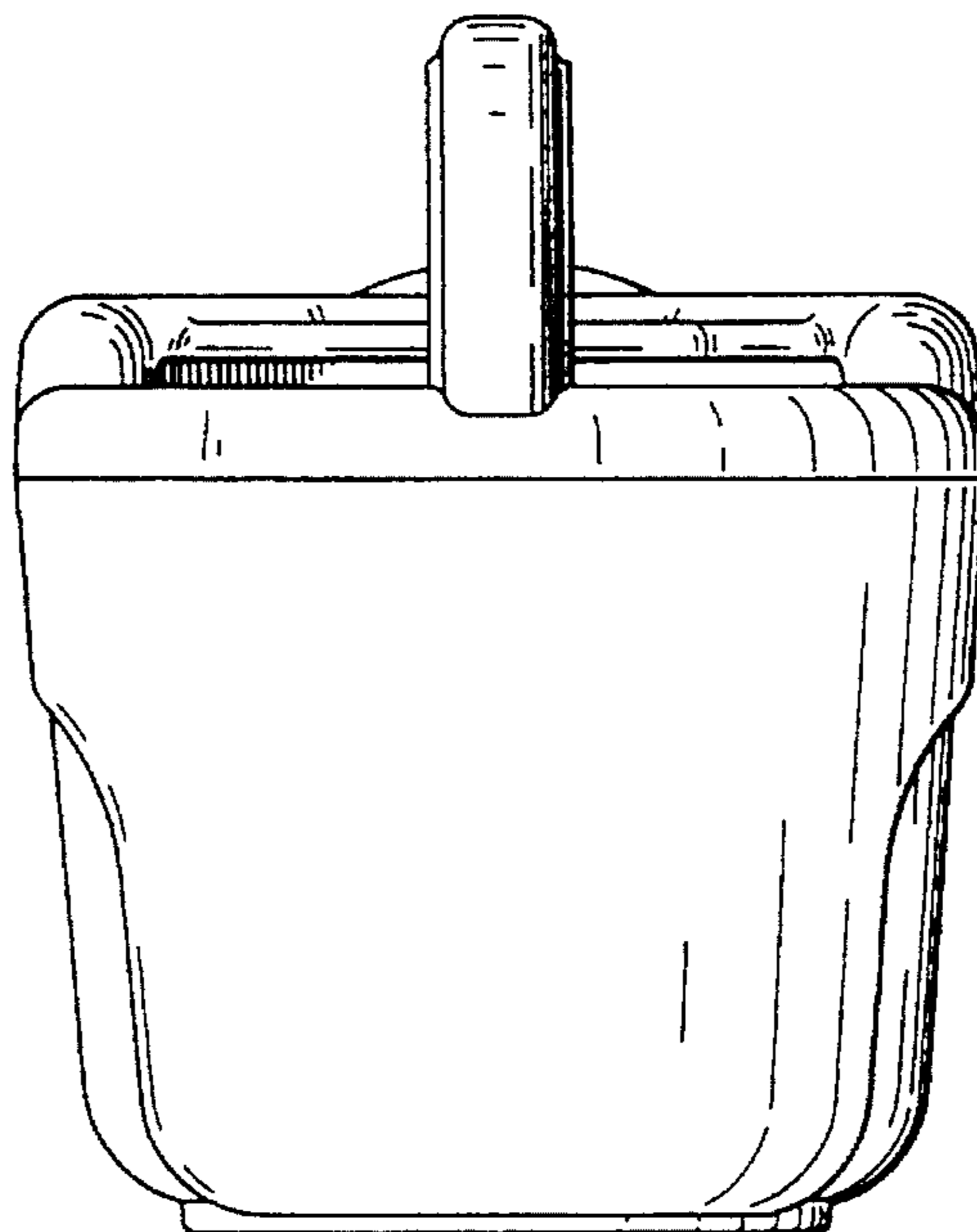
*Fig. 1*



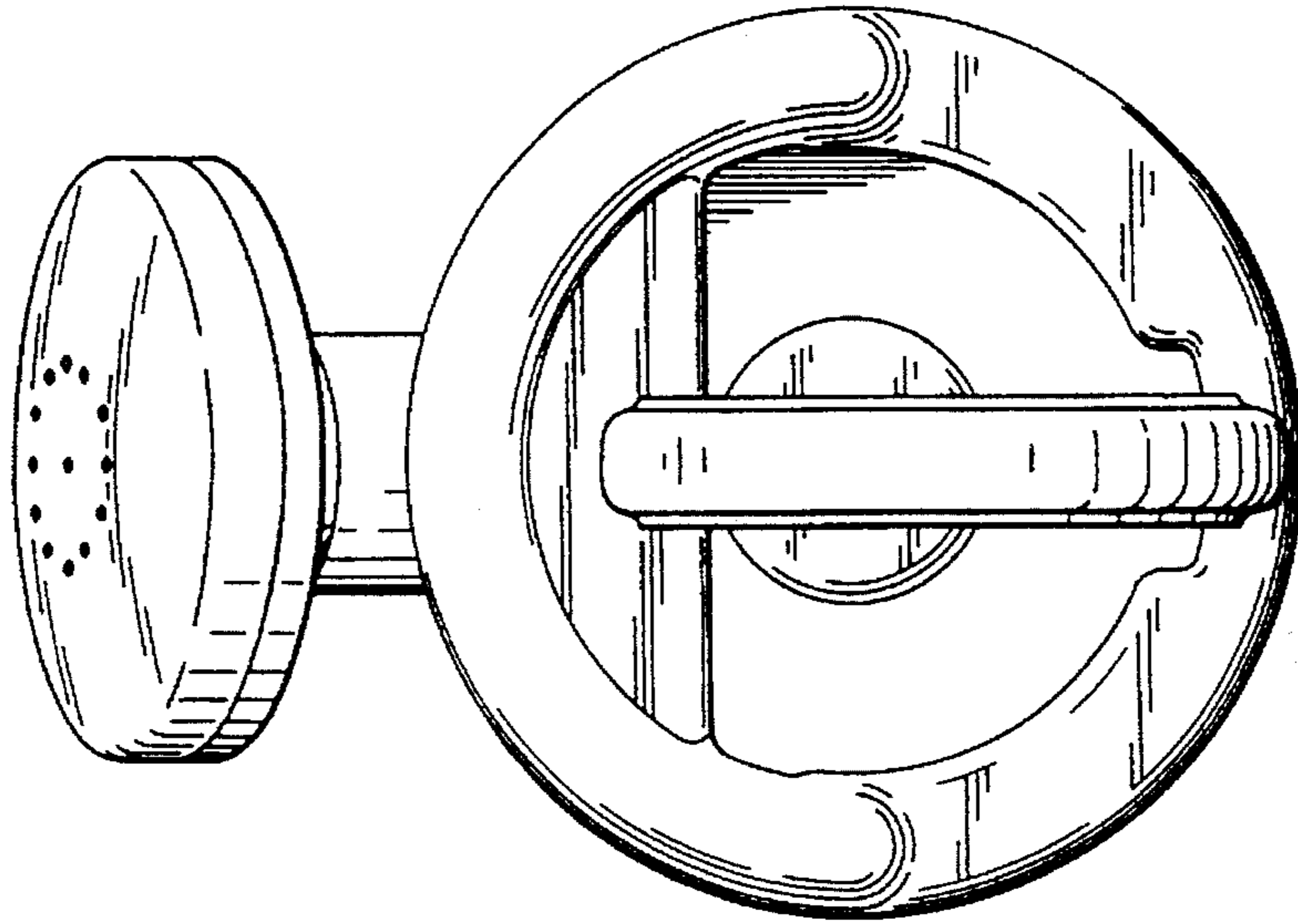
*Fig. 2*



*Fig. 3*



*Fig. 4*



*Fig. 5*

