



US00D363745S

**United States Patent** [19]  
**McNett**

[11] **Patent Number: Des. 363,745**  
[45] **Date of Patent: \*\*Oct. 31, 1995**

[54] **ROCKING MOTORCYCLE TOY**  
[76] Inventor: **Mark M. McNett**, 301 Heizer, Great Bend, Kans. 67530  
[\*\*] Term: **14 Years**  
[21] Appl. No.: **32,218**  
[22] Filed: **Feb. 2, 1995**  
[52] U.S. Cl. .... **D21/68; D21/66**  
[58] Field of Search ..... **D21/66, 68; D6/344, D6/345; 472/95, 102**

*Attorney, Agent, or Firm*—John R. Flanagan

[57] **CLAIM**

The ornamental design for a rocking motorcycle toy, as shown and described.

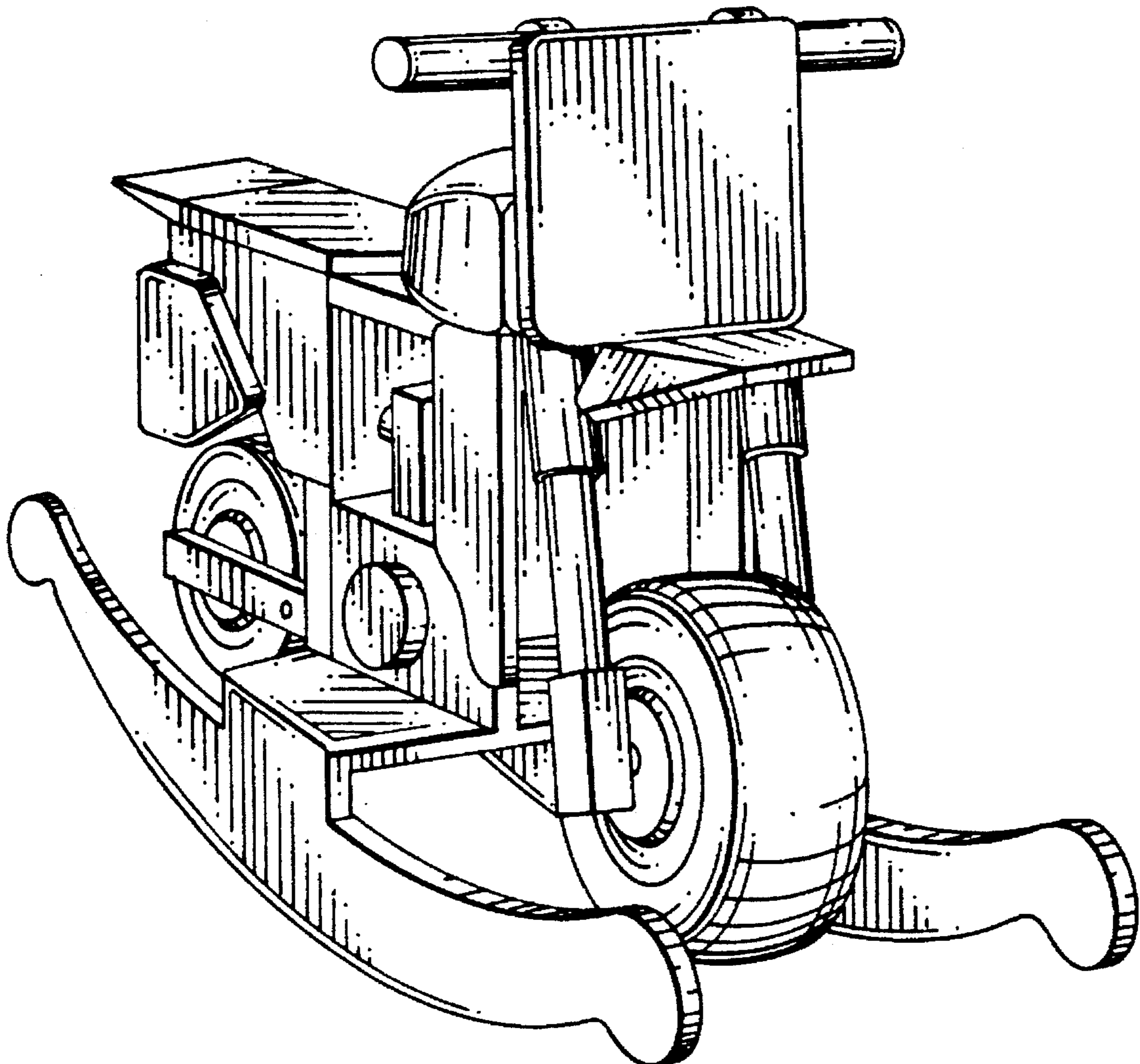
**DESCRIPTION**

FIG. 1 is a perspective view of a rocking motorcycle toy showing my new design;  
FIG. 2 is a right side elevational view of the rocking motorcycle, the left side being a mirror image;  
FIG. 3 is a top plan view of the rocking motorcycle toy;  
FIG. 4 is a bottom plan view of the rocking motorcycle toy;  
FIG. 5 is a front elevational view of the rocking motorcycle toy; and,  
FIG. 6 is a rear elevational view of the rocking motorcycle toy.

[56] **References Cited**  
**U.S. PATENT DOCUMENTS**  
D. 44,345 7/1913 Newton ..... D21/68  
D. 254,561 3/1980 Alley et al. .... D21/68  
D. 315,929 4/1991 Bush ..... D21/68

*Primary Examiner*—Dominic Simone

**1 Claim, 1 Drawing Sheet**



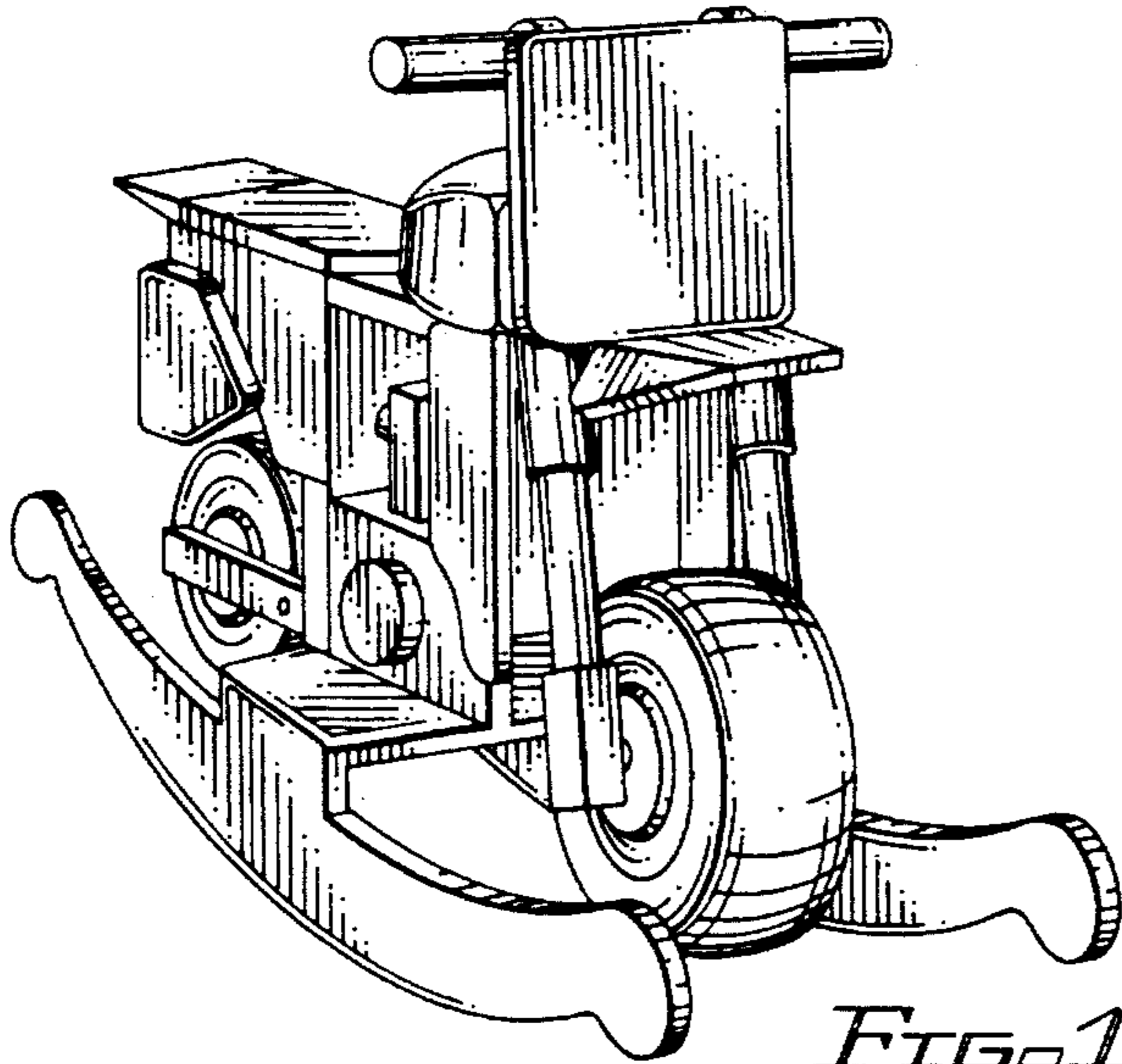


FIG. 1

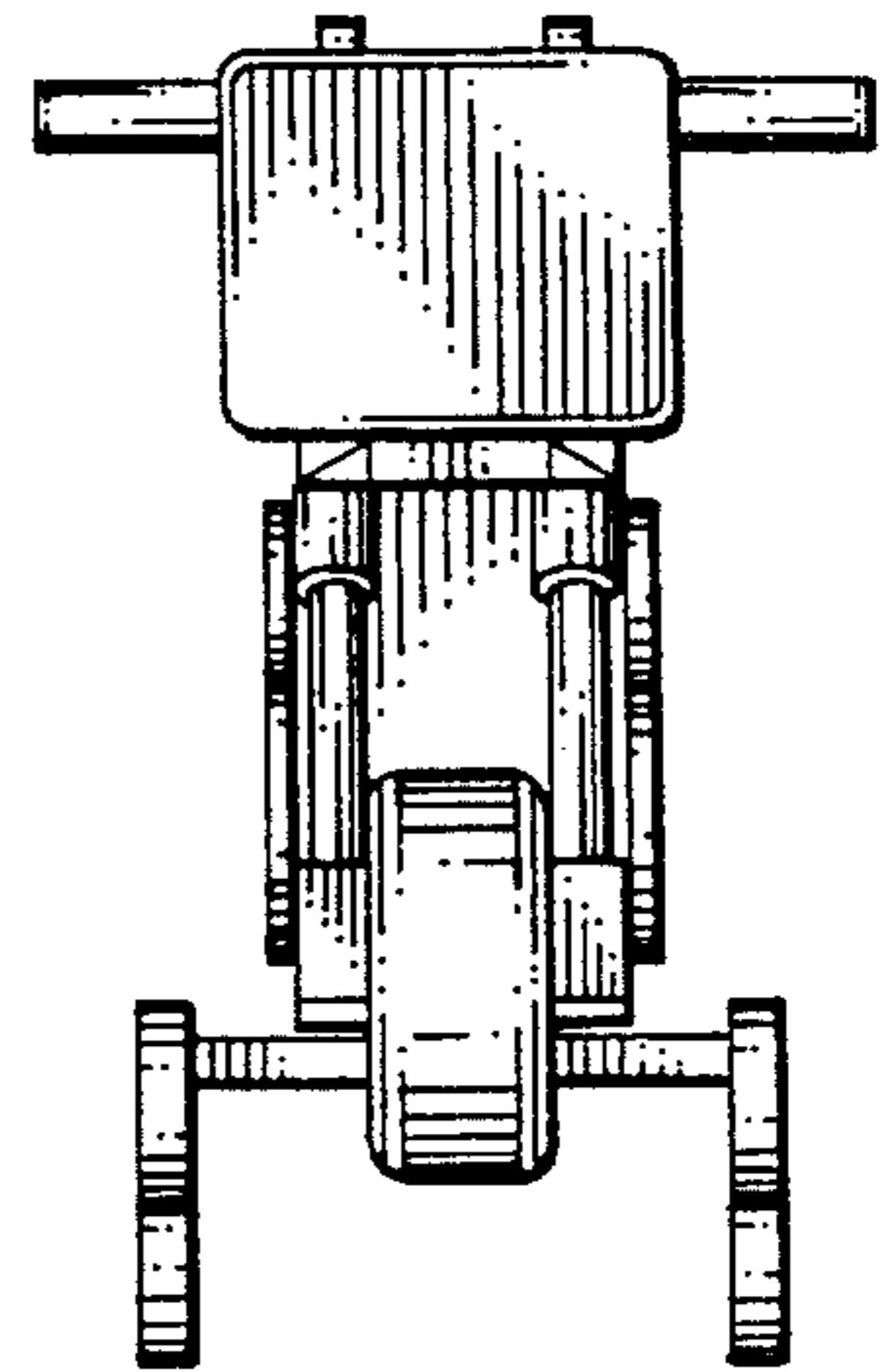


FIG. 5

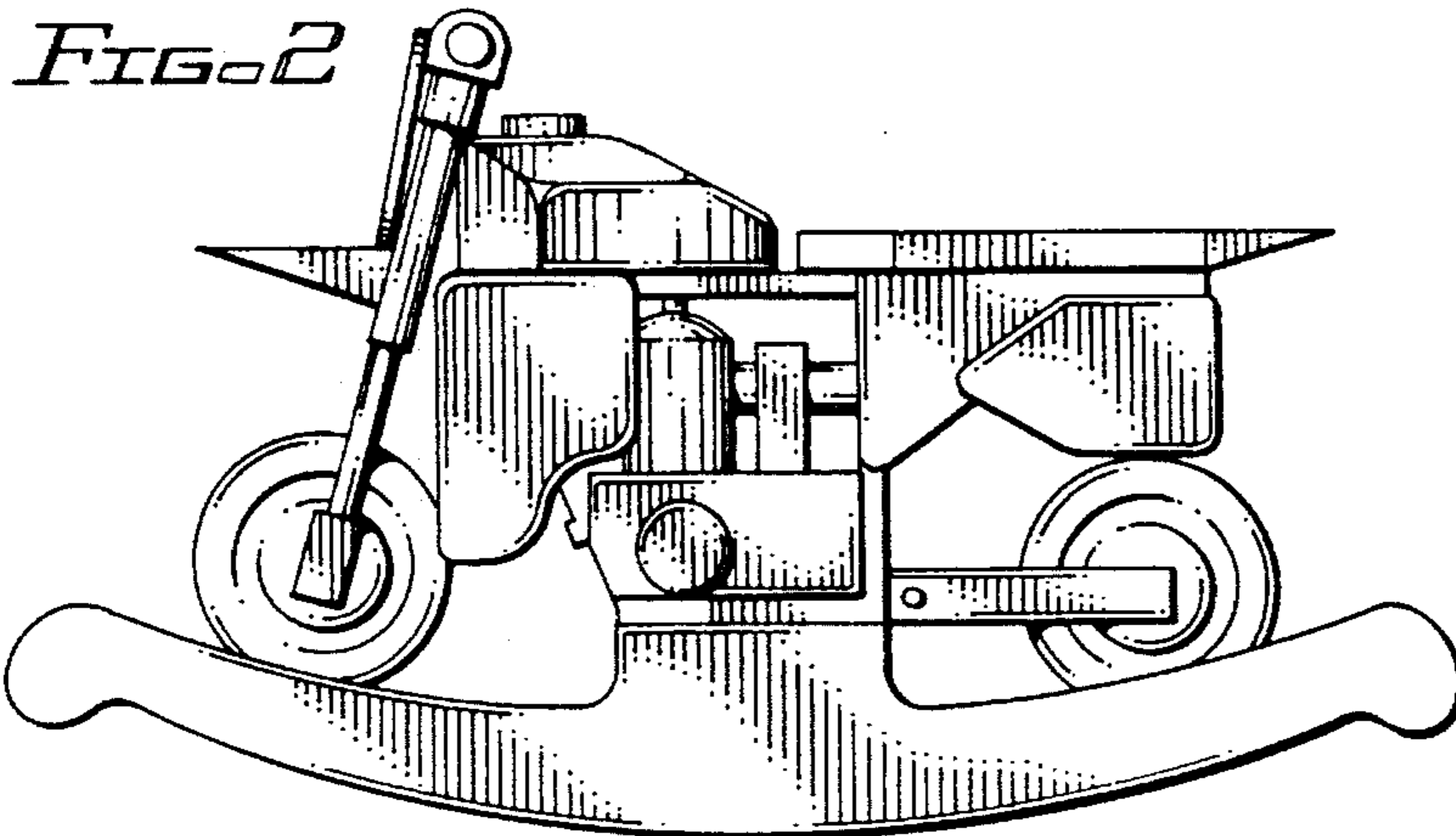


FIG. 2

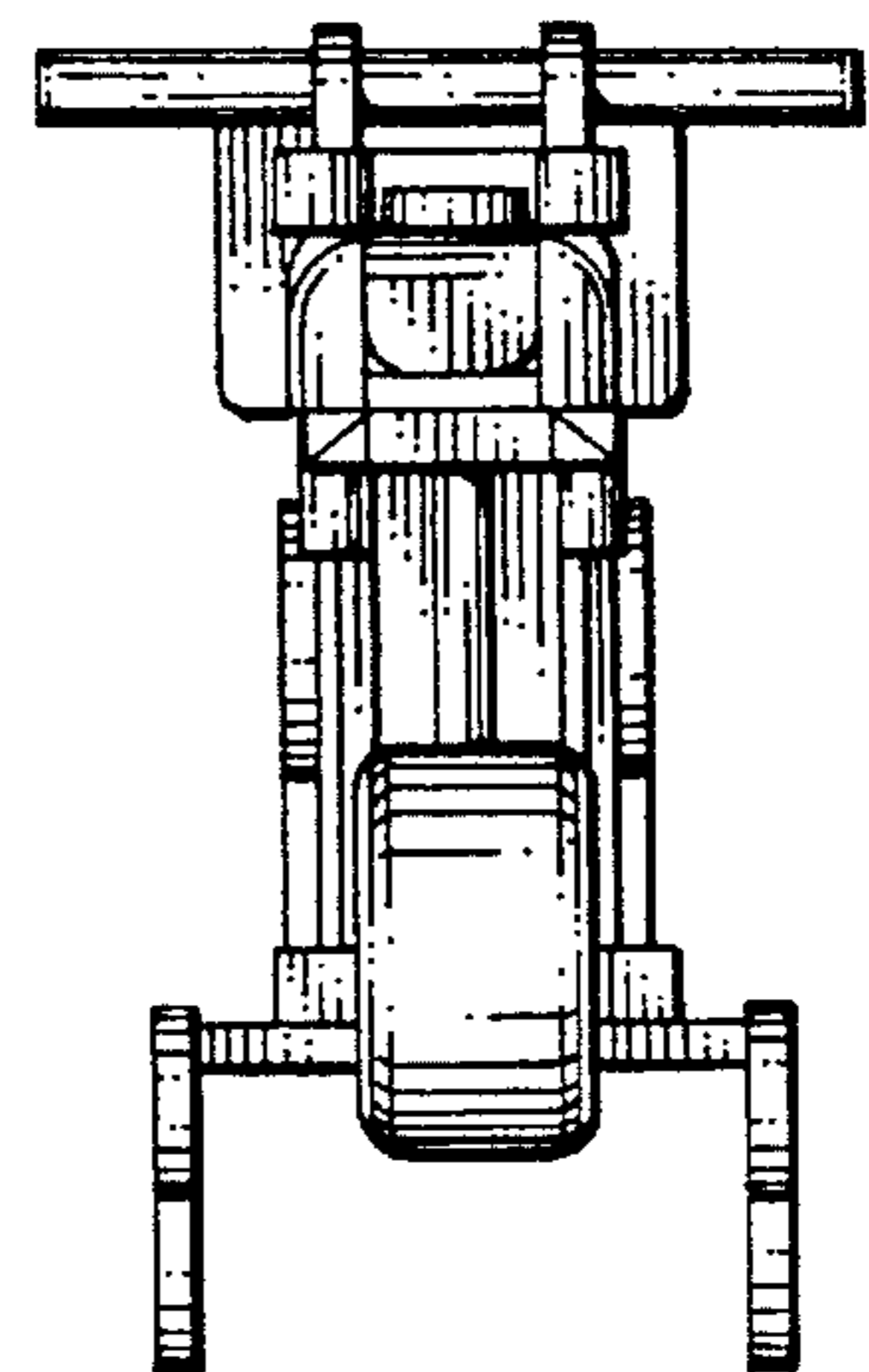


FIG. 6

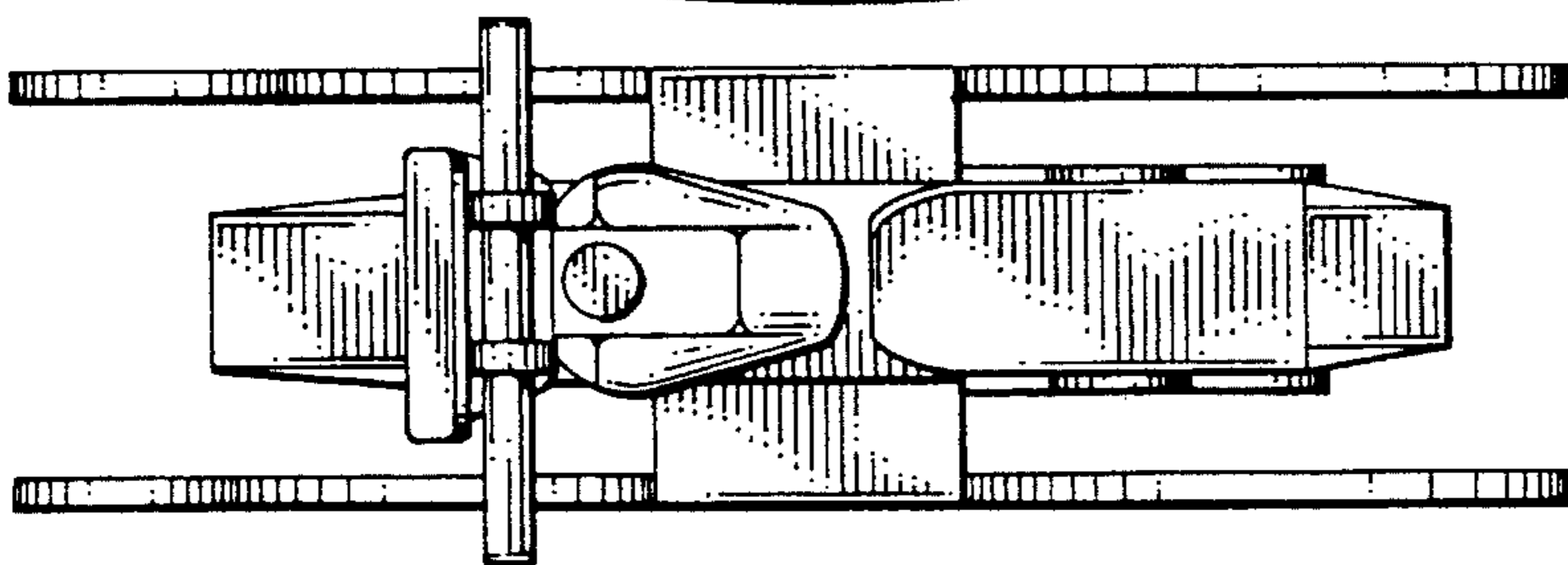


FIG. 3

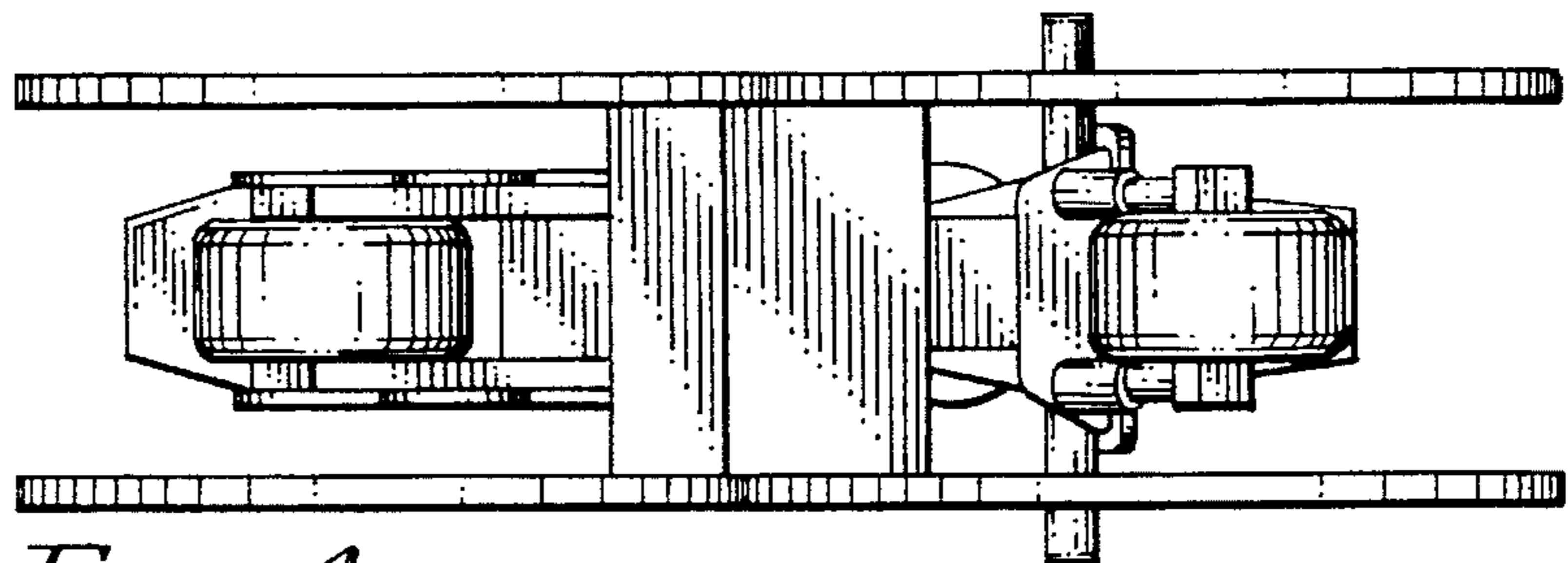


FIG. 4