



US00D363742S

United States Patent [19]

Fitzsimmons

[11] Patent Number: **Des. 363,742**

[45] Date of Patent: ****Oct. 31, 1995**

[54] **TAPE DISPENSER**

[75] Inventor: **W. Tyler Fitzsimmons**, South Portland, Me.

[73] Assignee: **Microplas, Inc.**, Clinton, Mass.

[**] Term: **14 Years**

[21] Appl. No.: **24,969**

[22] Filed: **Jun. 24, 1994**

[52] U.S. Cl. **D19/69; D19/67**

[58] Field of Search **D19/35, 36, 65, D19/67, 68, 69, 95, 99, 100; 225/6, 7, 13, 19, 24, 25, 34, 45, 56, 65, 77, 89; 156/523, 527**

[56] **References Cited**

U.S. PATENT DOCUMENTS

D. 141,219	5/1945	Preble, Jr.	D19/69
D. 207,468	4/1967	Addis	D19/69
D. 249,650	9/1978	Schoenfeld	D10/6
D. 273,874	5/1984	Sato .	
D. 328,471	8/1992	Halm .	
D. 331,354	12/1992	Stern et al. .	
2,102,431	12/1937	McNamara	D19/69 X

2,671,917 3/1954 Martin et al. D19/69 X
4,884,734 12/1989 Kahl, Jr. et al. .

FOREIGN PATENT DOCUMENTS

8200796 3/1982 WIPO .

Primary Examiner—Martie Thompson
Attorney, Agent, or Firm—James Creighton Wray

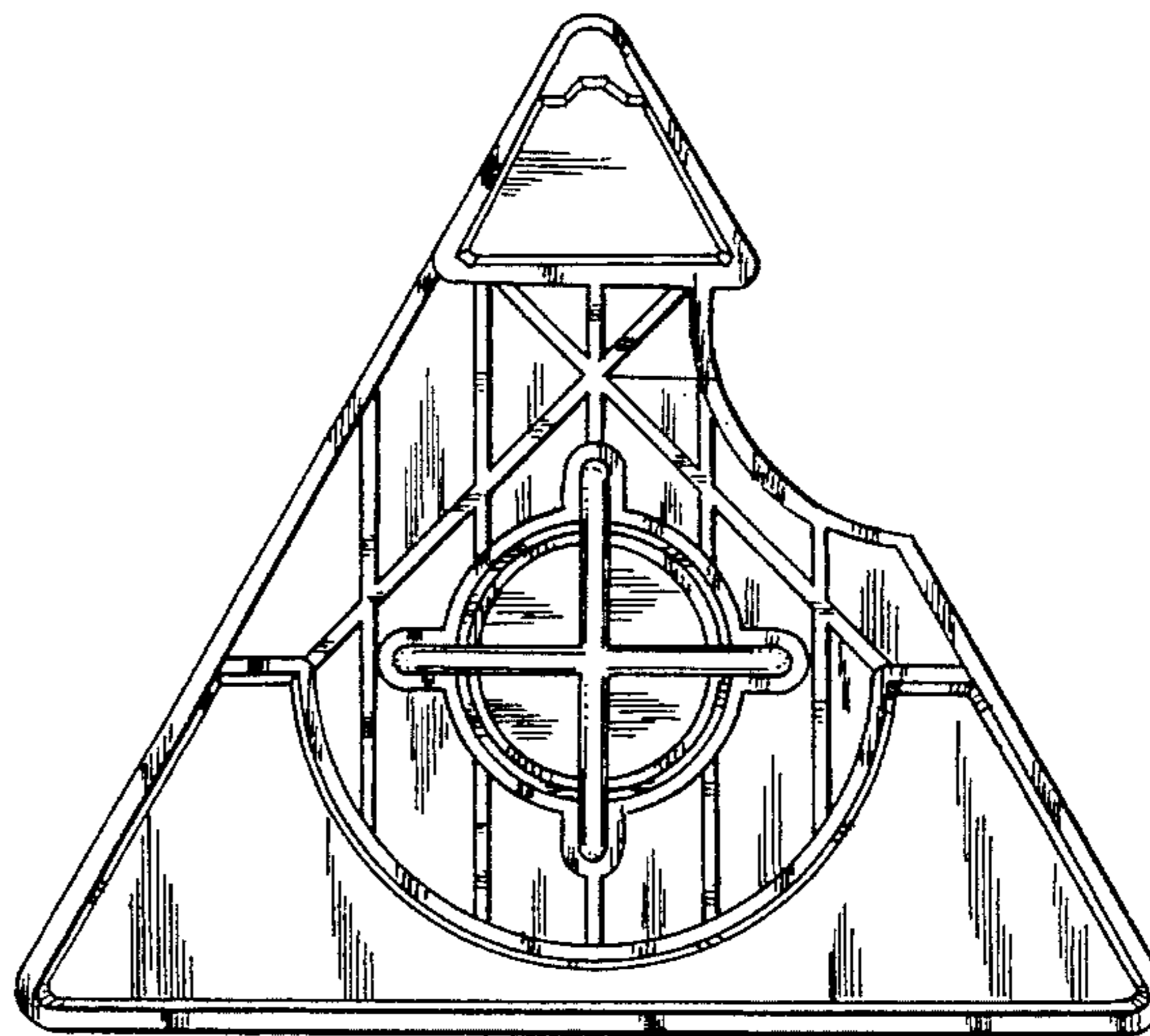
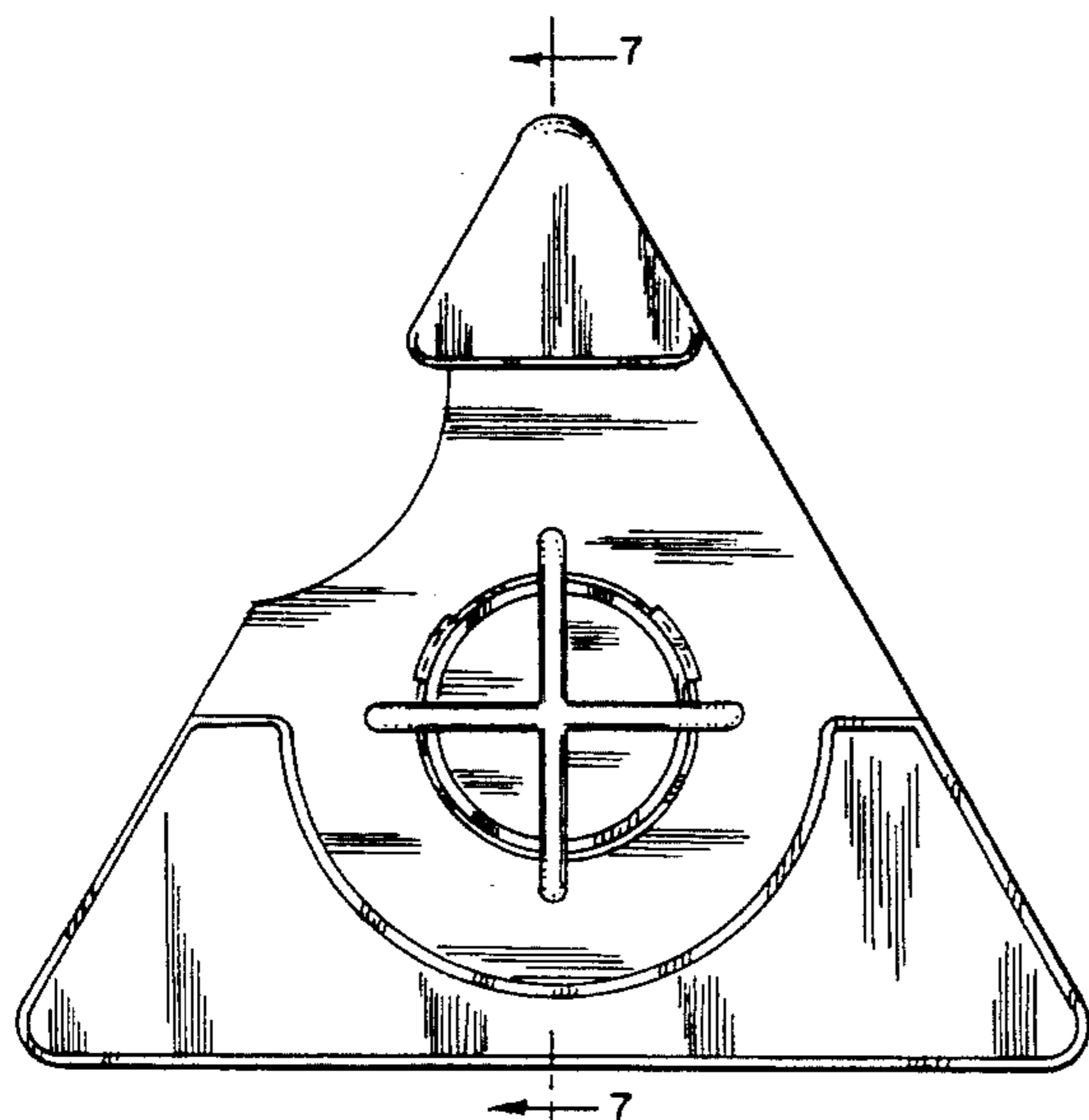
[57] **CLAIM**

The ornamental design for a tape dispenser, as shown and described.

DESCRIPTION

FIG. 1 is a front elevation of the tape dispenser of the present invention;
FIG. 2 is a rear elevation of the tape dispenser of the present invention;
FIG. 3 is a top plan view of the present invention;
FIG. 4 is a bottom view of the tape dispenser shown in FIG. 1-3;
FIG. 5 is a left side elevation;
FIG. 6 is a right side elevation; and,
FIG. 7 is a cross-sectional view taken in the direction of arrows 7-7 in FIG. 1.

1 Claim, 2 Drawing Sheets



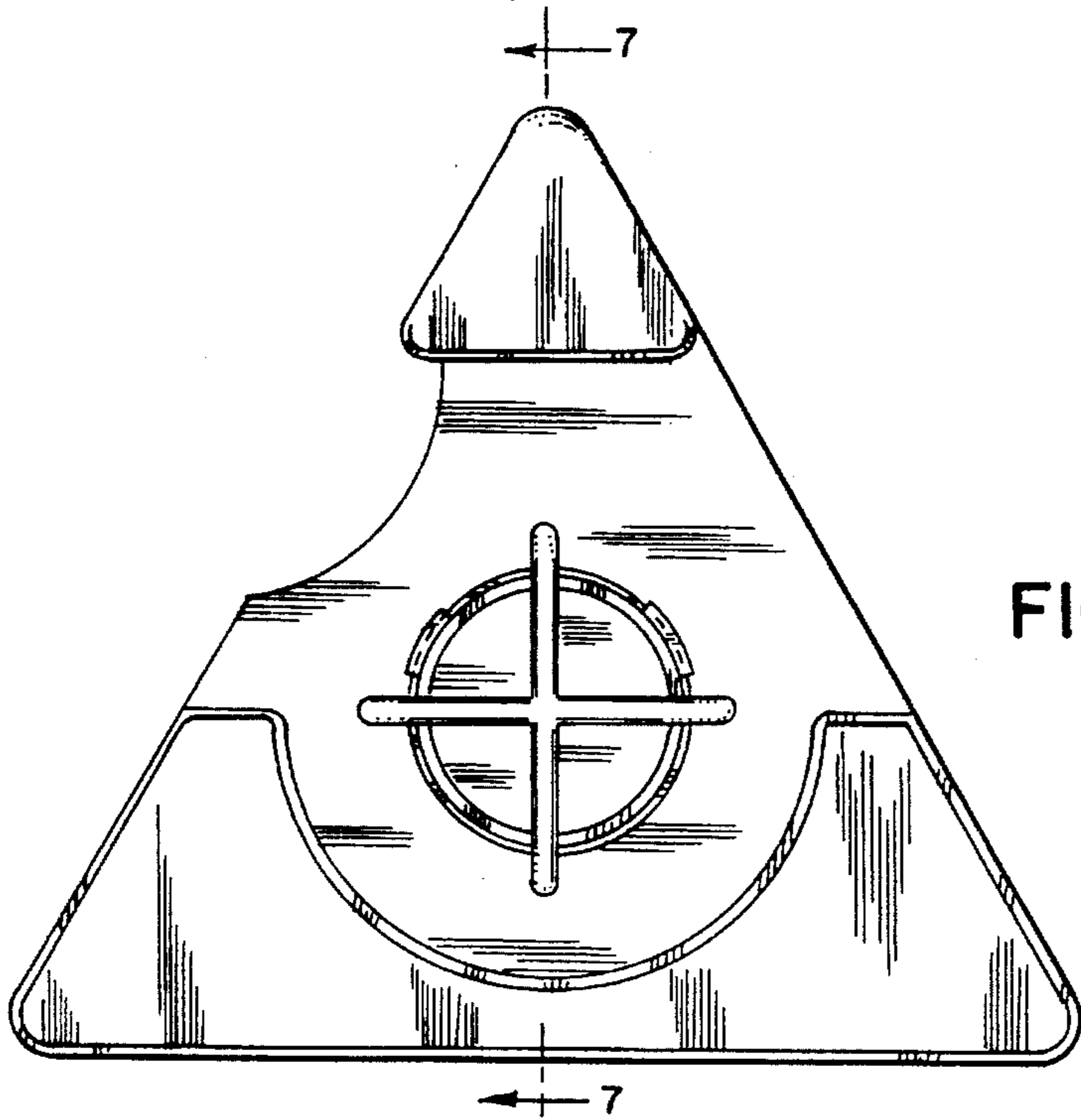


FIG. 1

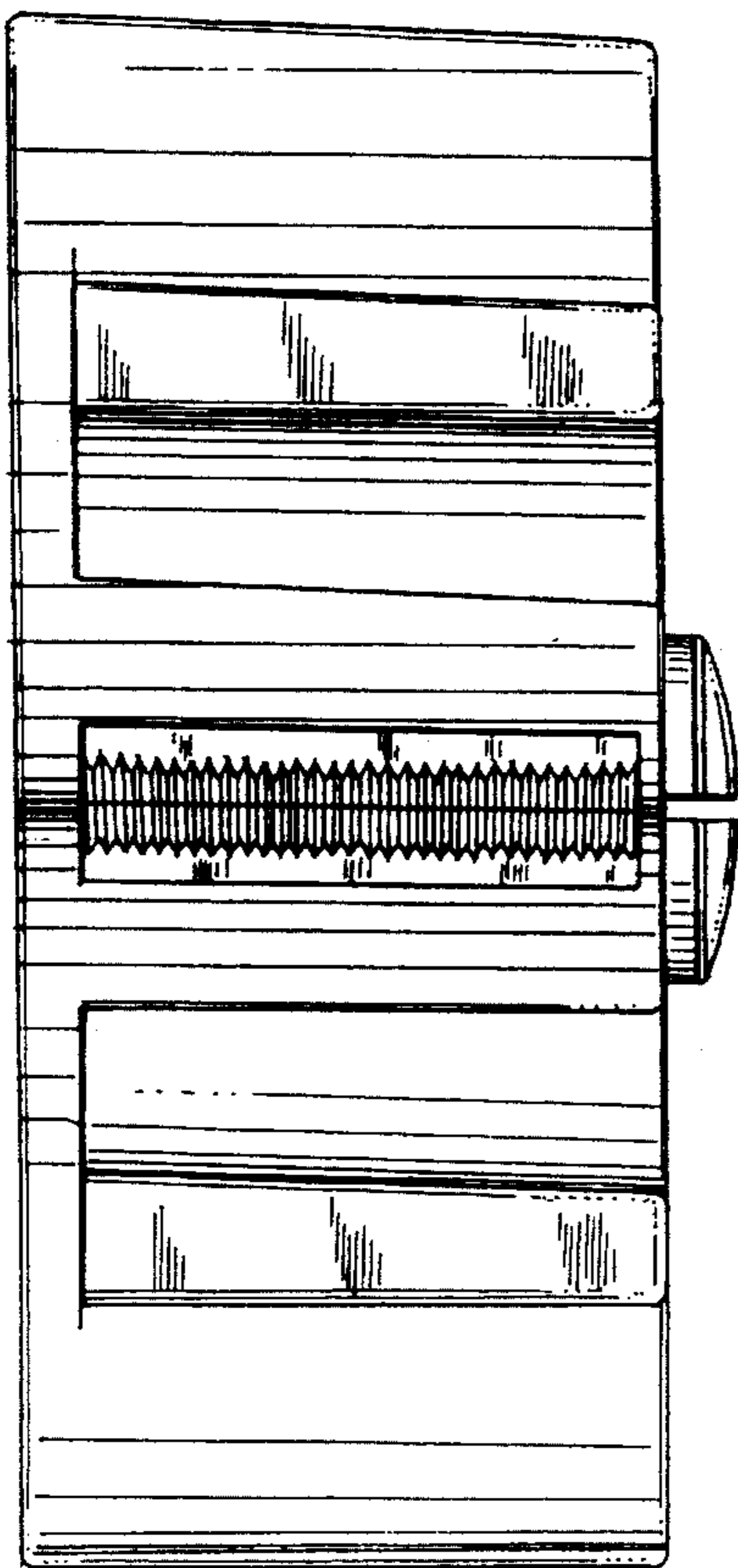


FIG. 3

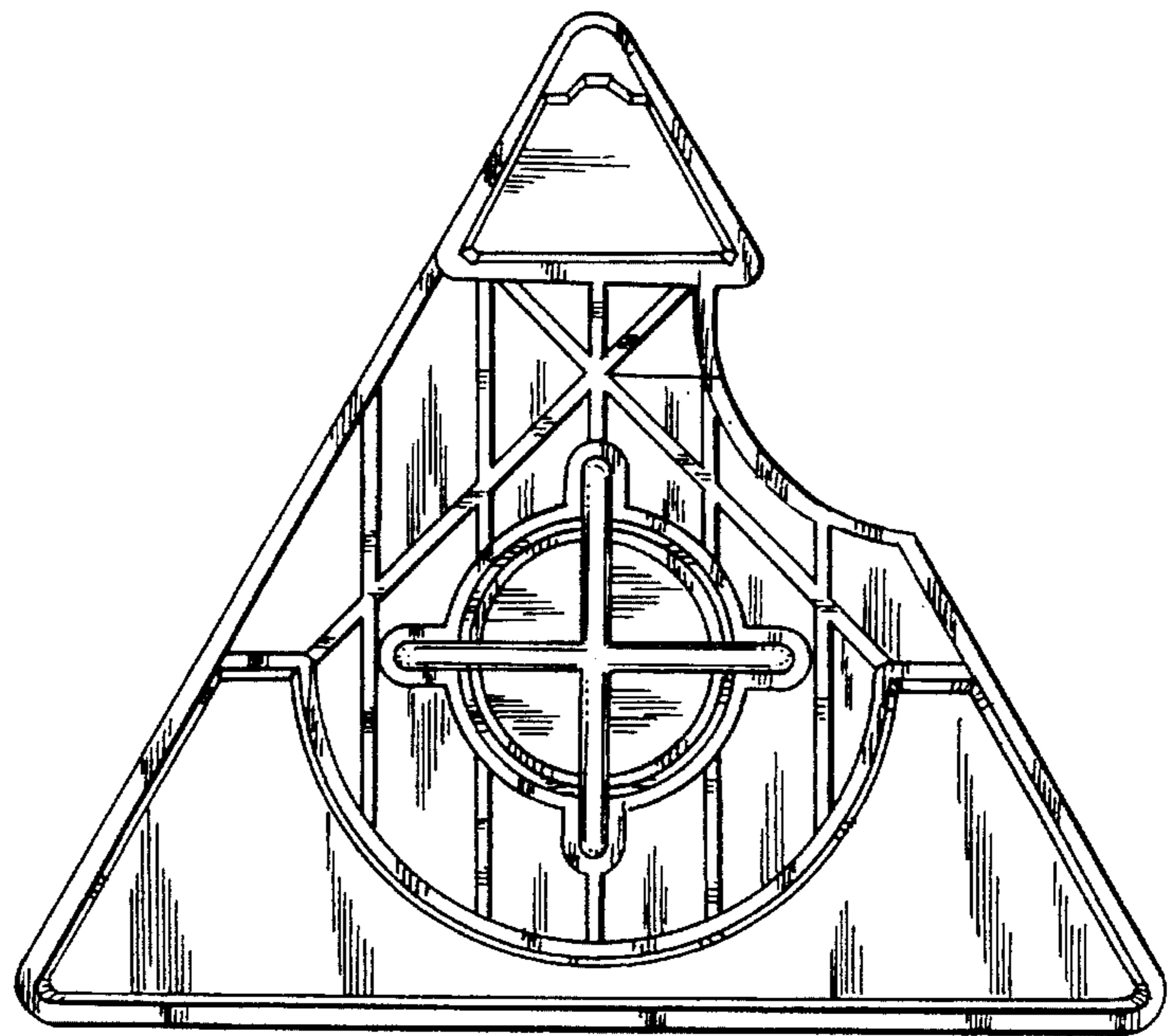


FIG. 2

FIG. 4

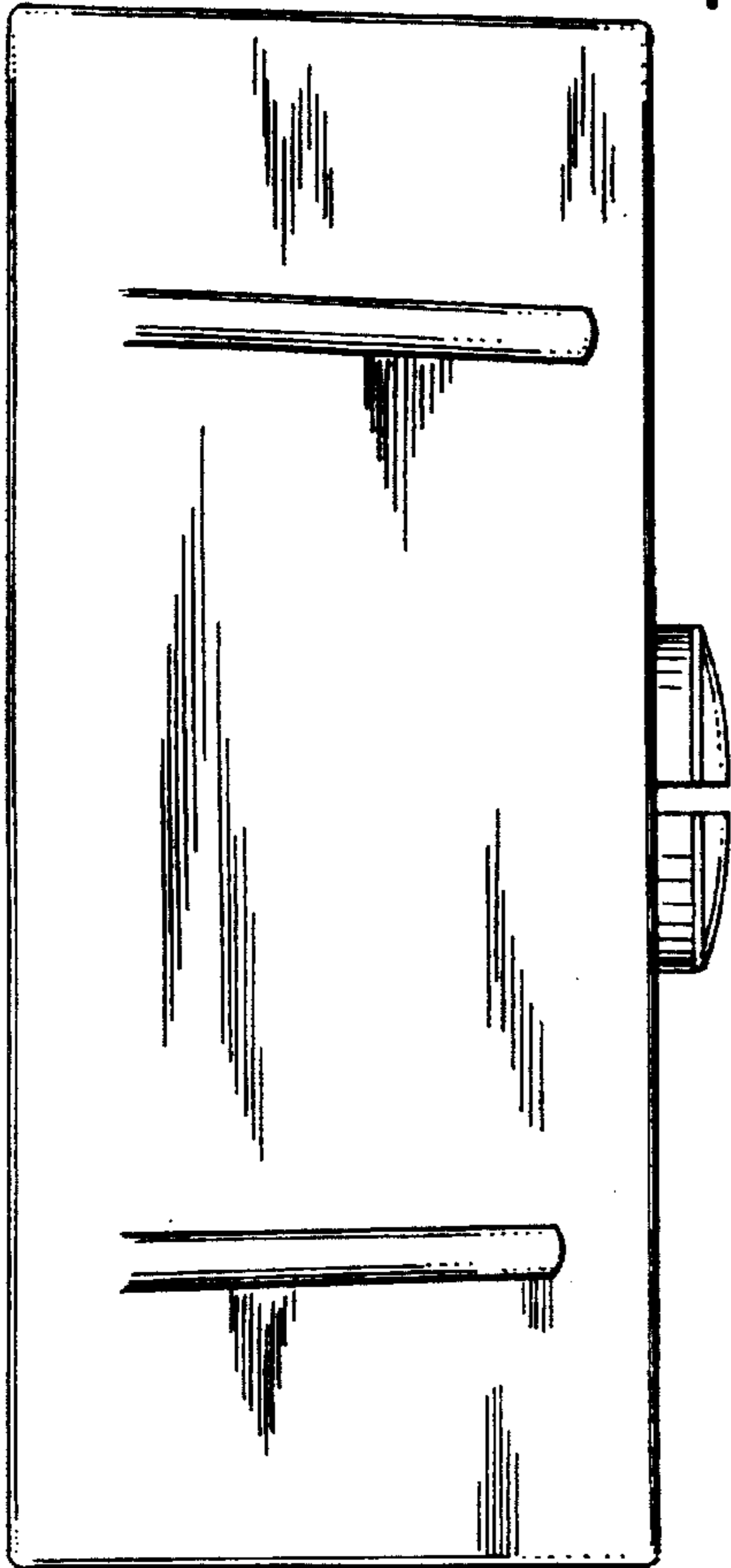


FIG. 5

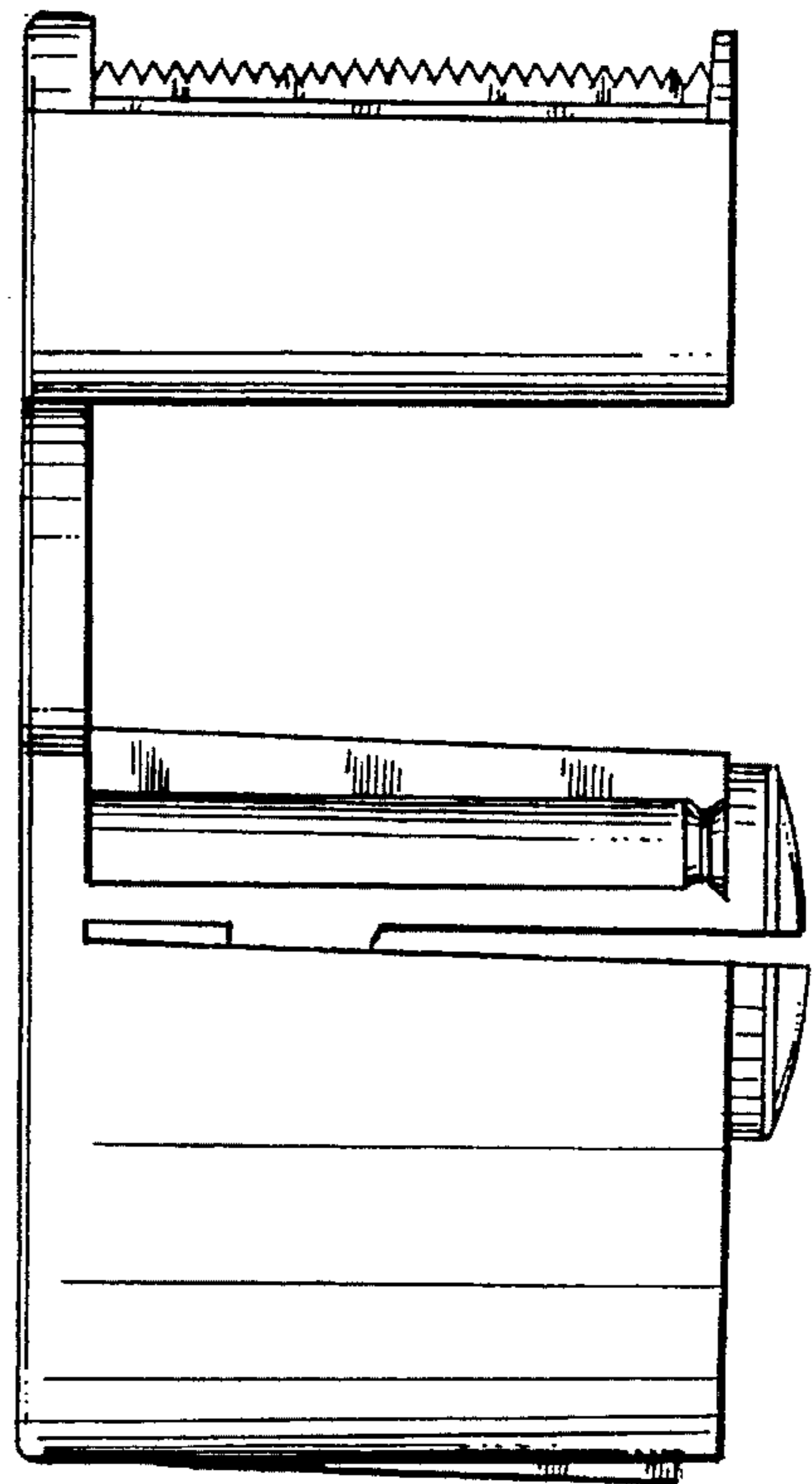


FIG. 7

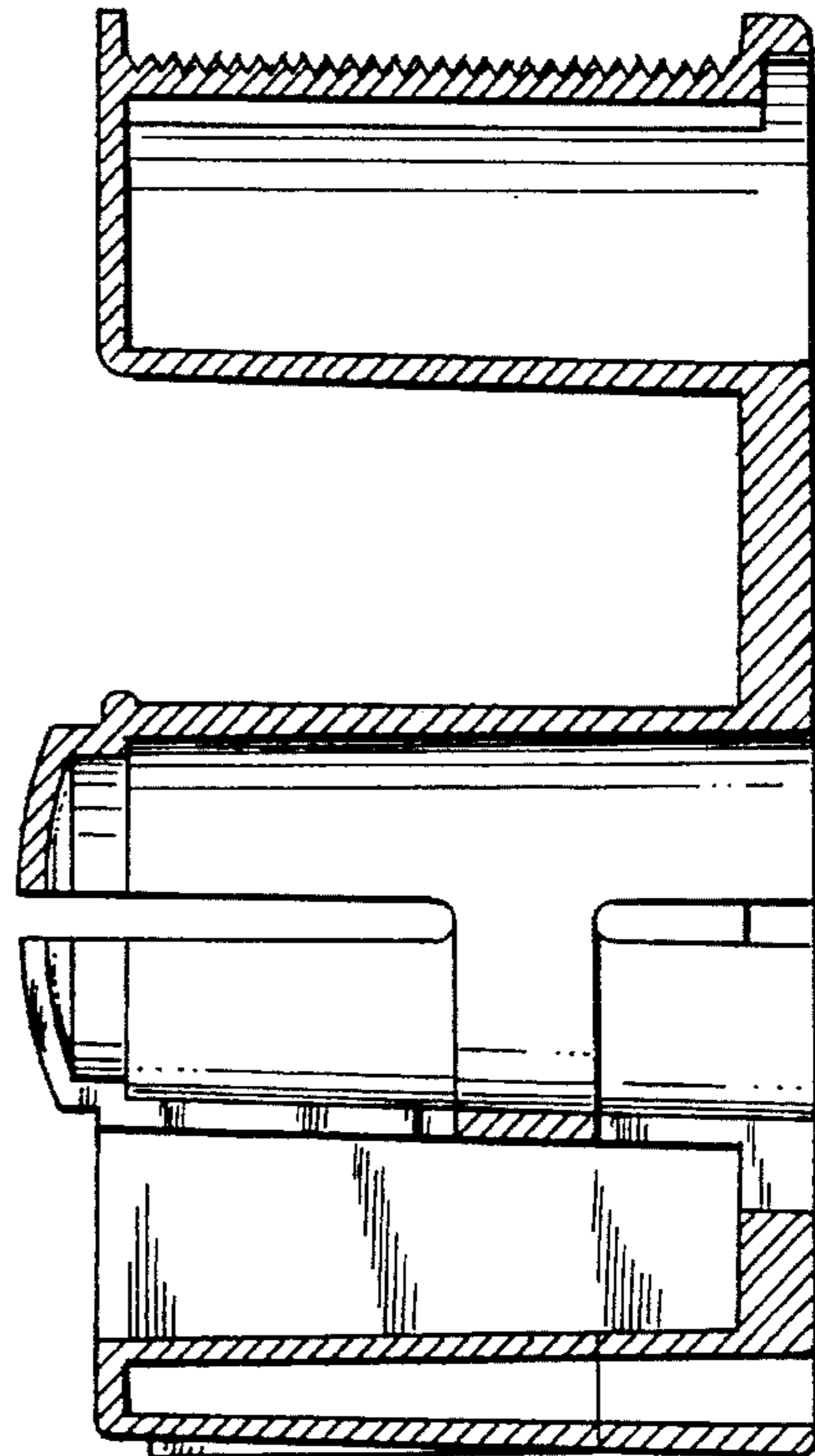


FIG. 6

