



US00D363737S

United States Patent [19]

[11] Patent Number: **Des. 363,737**

Snow

[45] Date of Patent: ****Oct. 31, 1995**

[54] COMBINED SANDPAPER AND EMERY PAPER PORTFOLIO

[76] Inventor: **Shelby D. Snow**, 35 Sunny Hills Dr., #18, San Anselmo, Calif. 94960

[**] Term: **14 Years**

[21] Appl. No.: **6,521**

[22] Filed: **Mar. 29, 1993**

[52] U.S. Cl. **D19/27**

[58] Field of Search D19/1, 2, 3, 26, D19/27; 281/15.1, 46, 21.1, 29.31, 70, 71; 402/79, 73, 80 R; 462/71; 434/339; 206/425, 472

[56] References Cited

U.S. PATENT DOCUMENTS

D. 330,115	10/1992	O'Brien	D19/27	X
3,141,213	2/1964	Rinaldi	281/46	
3,284,104	11/1966	Stein	462/71	
4,577,889	3/1986	Schulz	402/79	X
4,720,012	1/1988	Dufour	D19/274	
4,832,369	5/1989	Johnson	281/15.1	X
4,889,232	12/1989	Abelson	206/425	
4,986,572	1/1991	Knykendall	281/15.1	
5,042,841	8/1991	Friedman	402/79	X

Primary Examiner—A. Hugo Word

Assistant Examiner—Pamela Burgess

[57] CLAIM

The ornamental design for a combined sandpaper and emery paper portfolio, as shown and described.

DESCRIPTION

FIG. 1 is a perspective view of a combined sandpaper and emery paper portfolio showing my new design therefor. The portfolio is shown with a front cover in a partially open

position to better illustrate the design of the interior of the portfolio. The portfolio contains two each of the first, second and third envelope designs;

FIG. 2 is a front elevational view with the front cover in a full open position;

FIG. 3 is a right side elevational view;

FIG. 4 is a top plan view;

FIG. 5 is a rear elevational view;

FIG. 6 is a bottom plan view of FIG. 5;

FIG. 7 is a left side elevational view;

FIG. 8 is a perspective view of a first envelope design in the portfolio shown separately from the portfolio in order to better show the design of the first envelope having a left side oriented fastener means;

FIG. 9 is a front elevational view of the first envelope;

FIG. 10 is a right side elevational view of the first envelope;

FIG. 11 is a rear elevational view of the first envelope;

FIG. 12 is a top plan view of the first envelope;

FIG. 13 is a bottom plan view of the first envelope;

FIG. 14 is a perspective view of a second envelope design in the portfolio shown separately from the portfolio in order to better show the design of the second envelope having a centrally oriented fastener means;

FIG. 15 is a front elevational view of the second envelope;

FIG. 16 is a right side elevational view of the second envelope;

FIG. 17 is a rear elevational view of the second envelope;

FIG. 18 is a top plan view of the second envelope;

FIG. 19 is a bottom plan view of the second envelope;

FIG. 20 is a perspective view of a third envelope design in the portfolio shown separately from the portfolio in order to better show the design of the third envelope having a right side oriented fastener means;

FIG. 21 is a front elevational view of the third envelope;

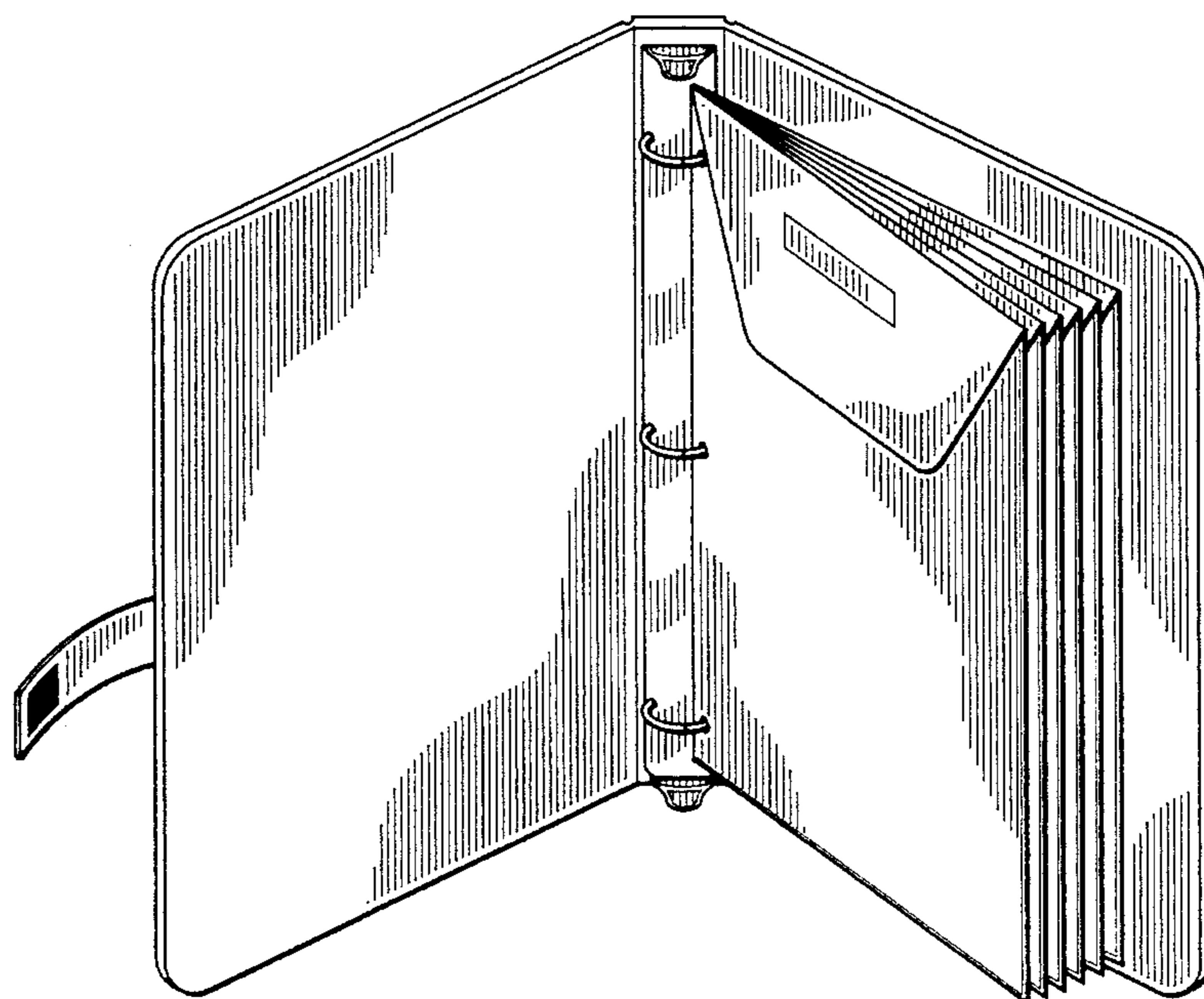
FIG. 22 is a right side elevational view of the third envelope;

FIG. 23 is a rear elevational view of the third envelope;

FIG. 24 is a top plan view of the third envelope; and,

FIG. 25 is a bottom plan view of the third envelope.

1 Claim, 6 Drawing Sheets



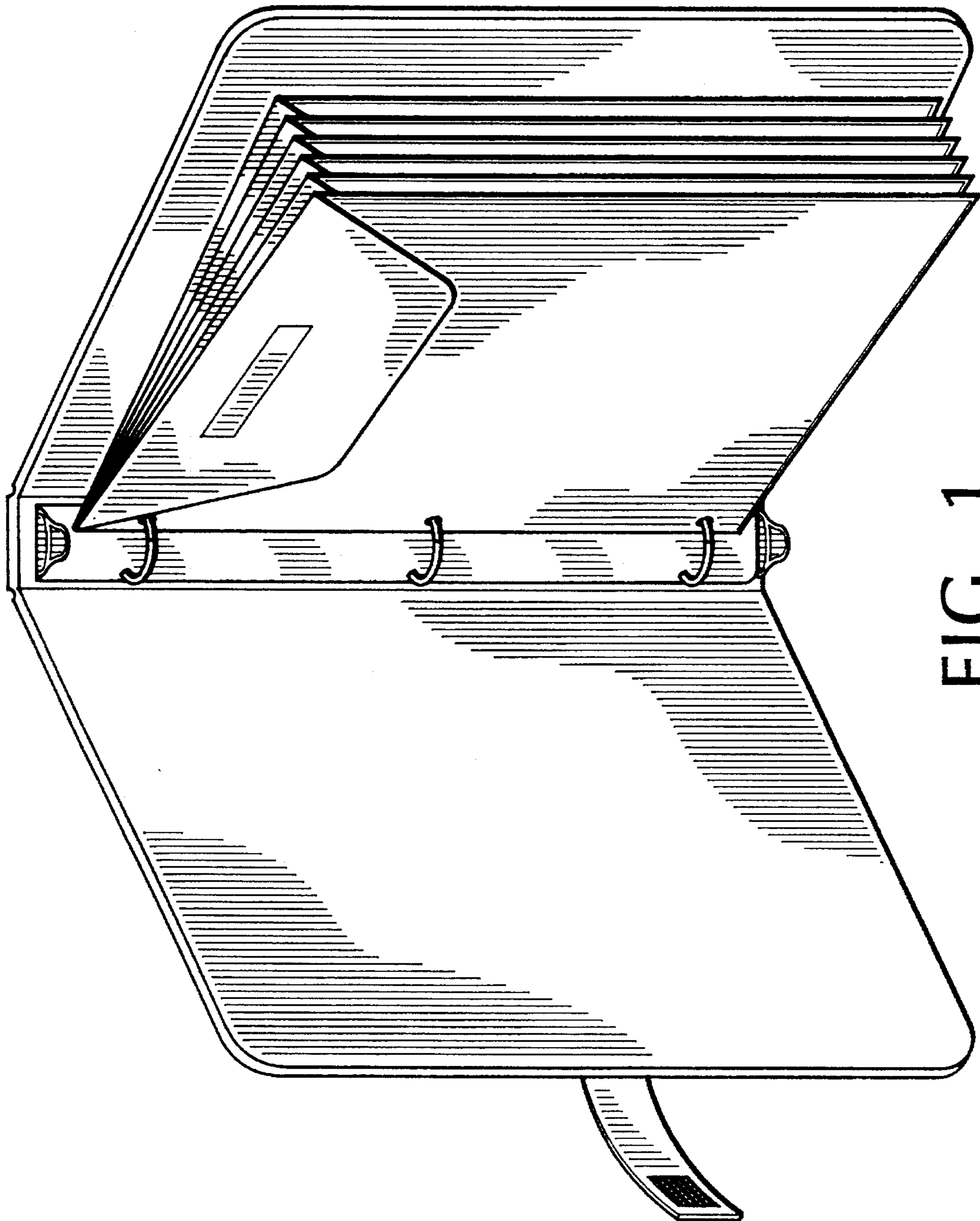


FIG. 1

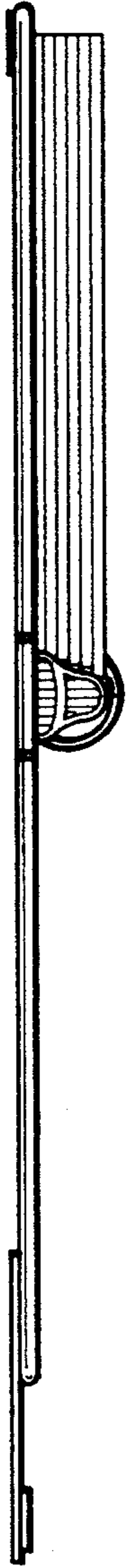


FIG. 4

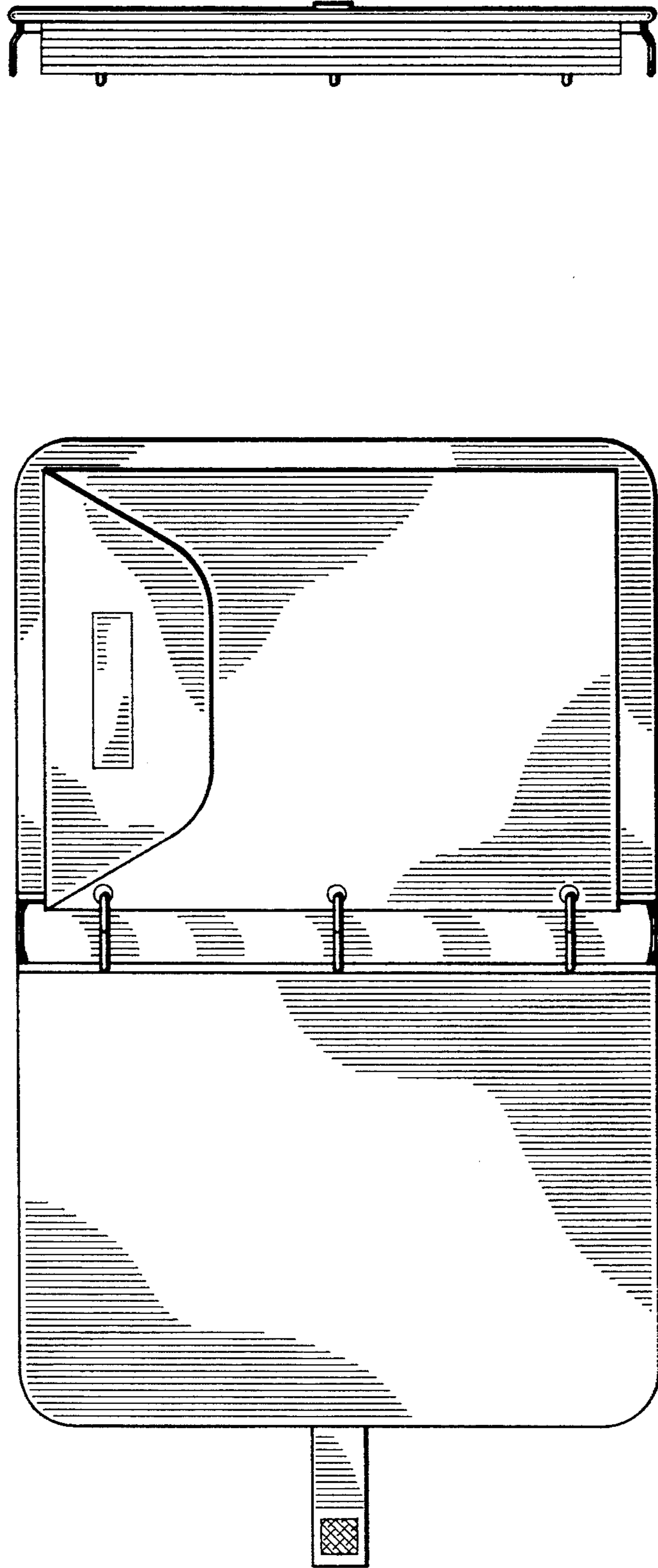


FIG. 2

FIG. 3

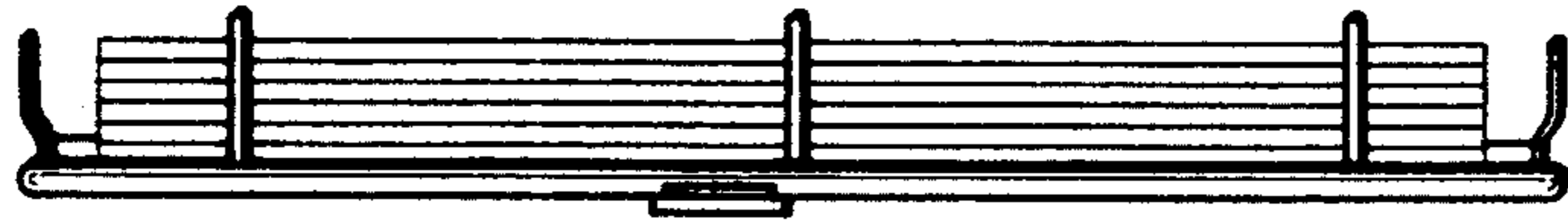


FIG. 7

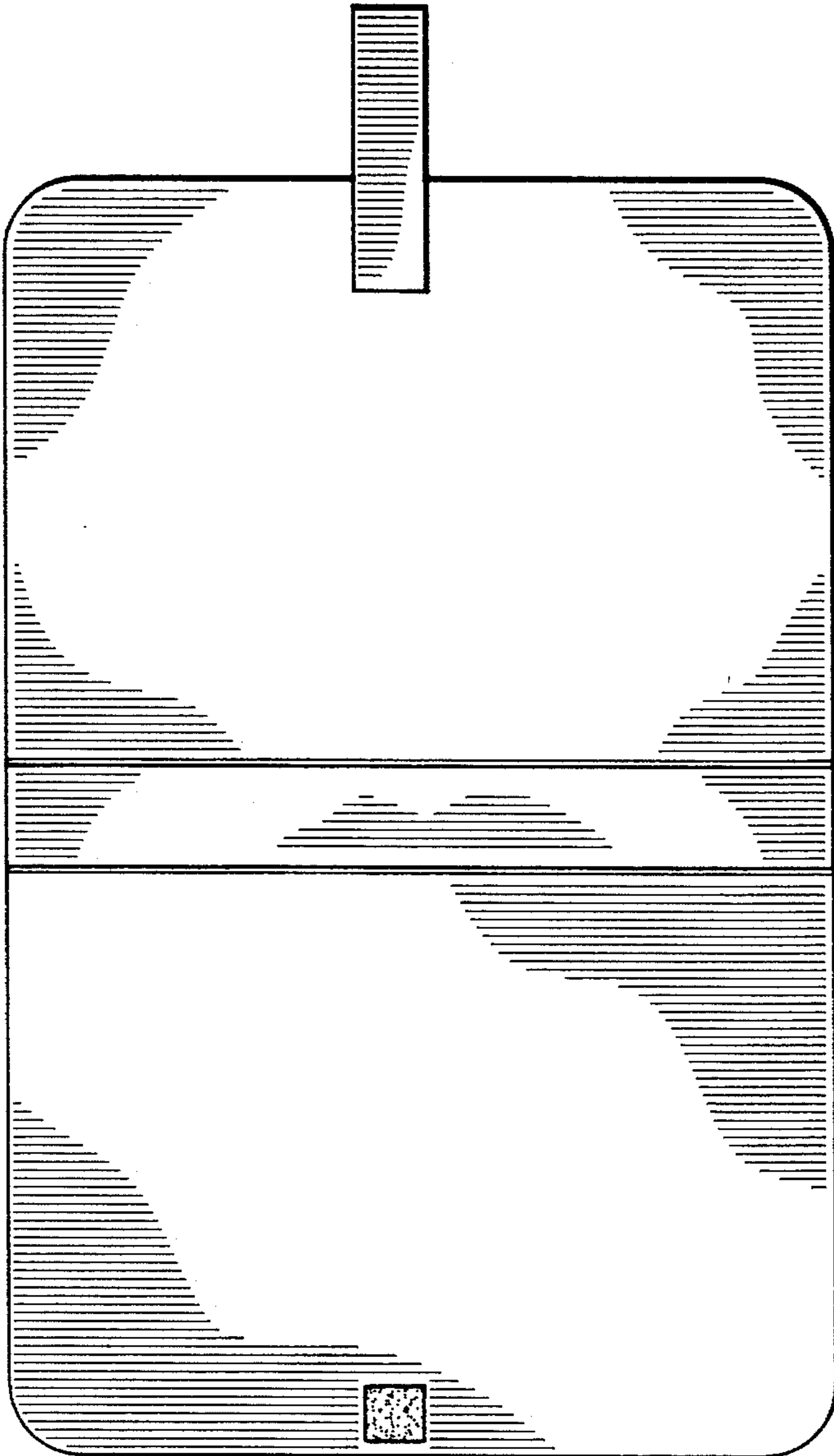


FIG. 5



FIG. 6

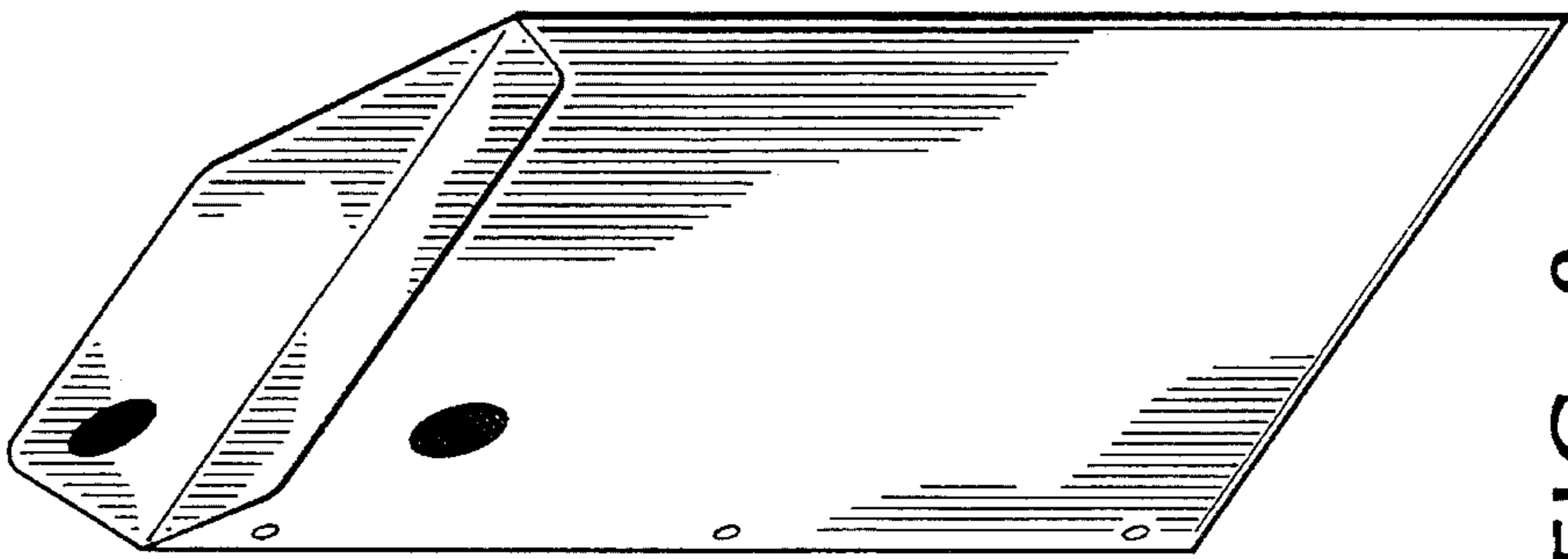


FIG. 8



FIG. 12

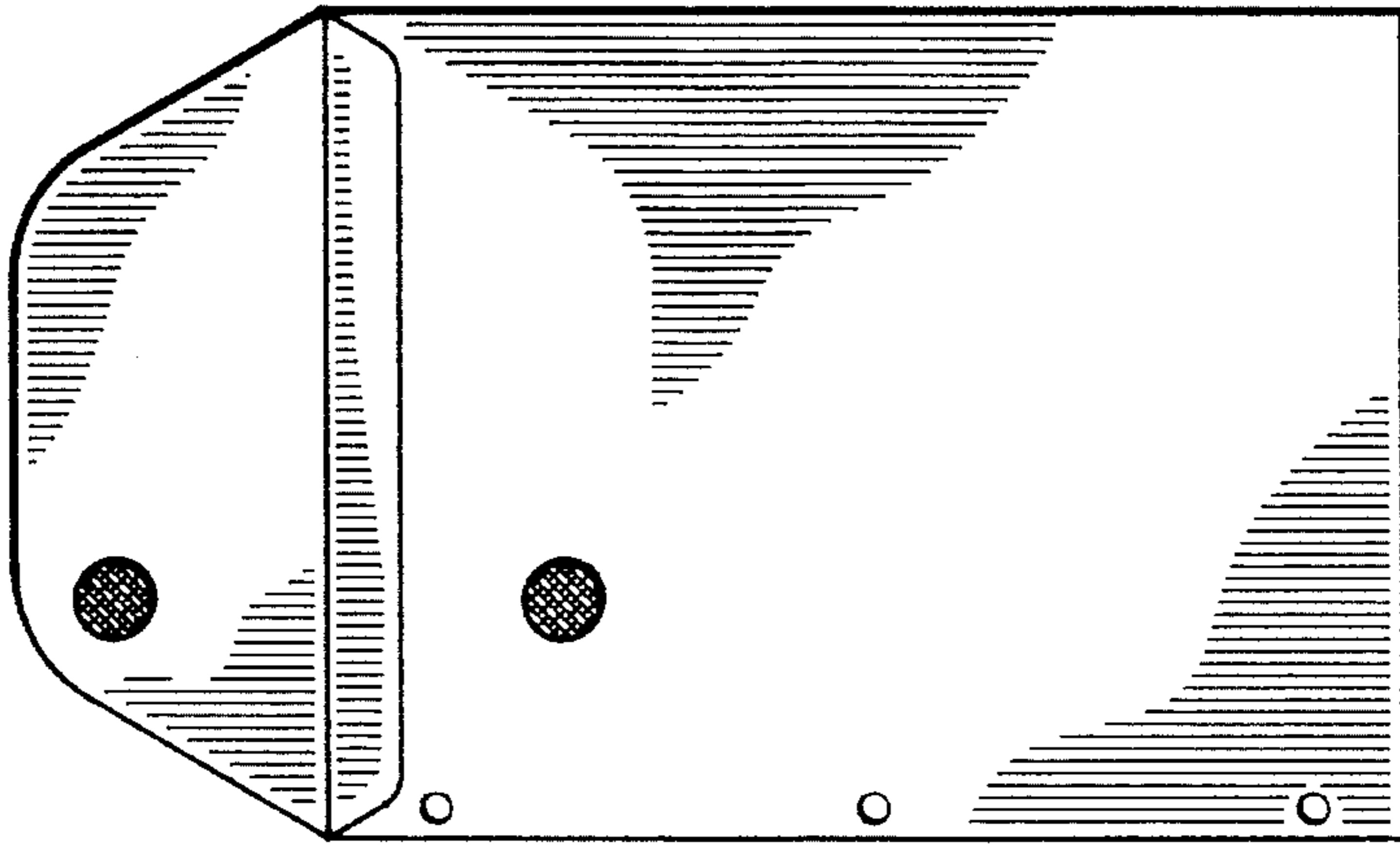


FIG. 9



FIG. 10

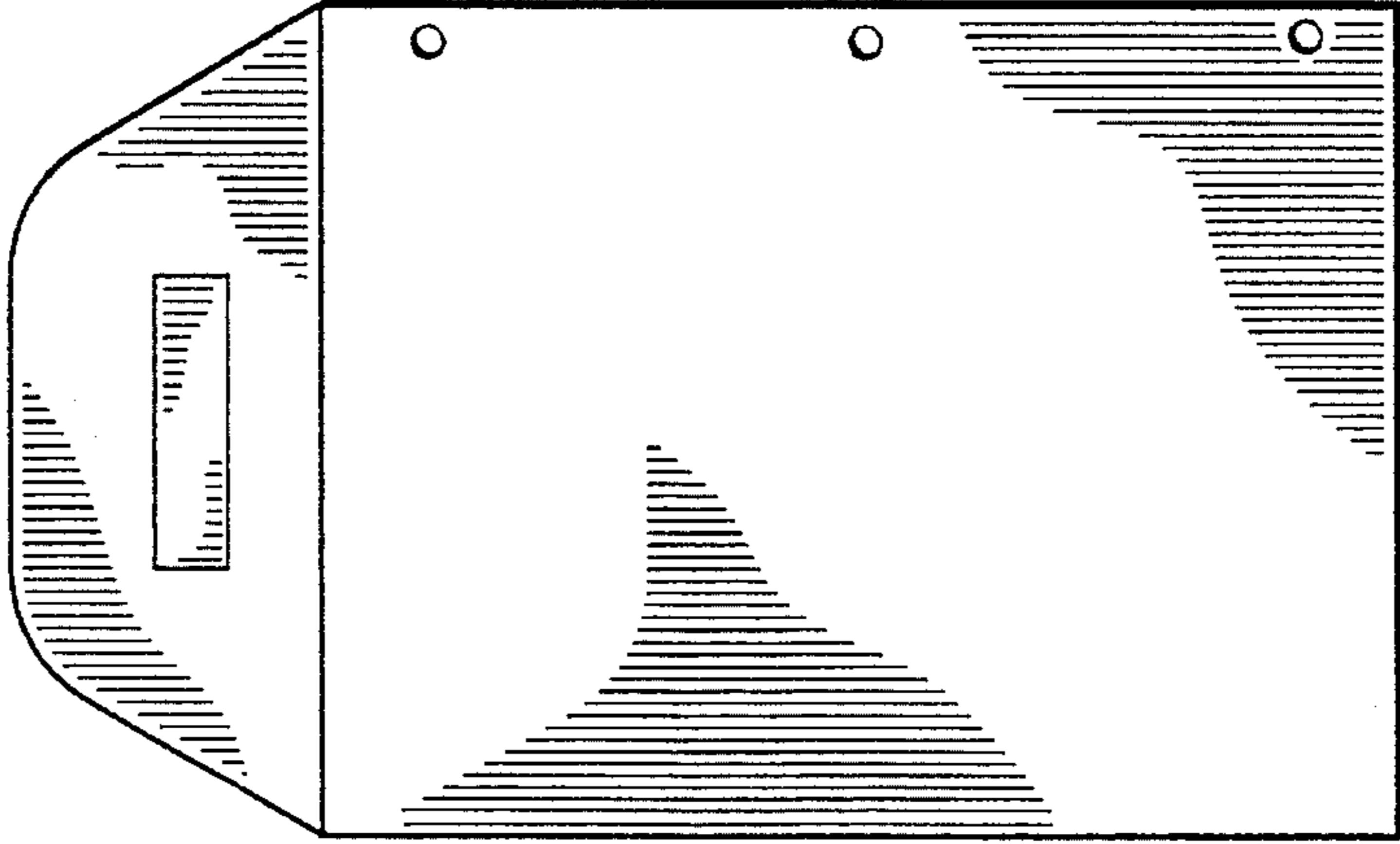


FIG. 11



FIG. 13

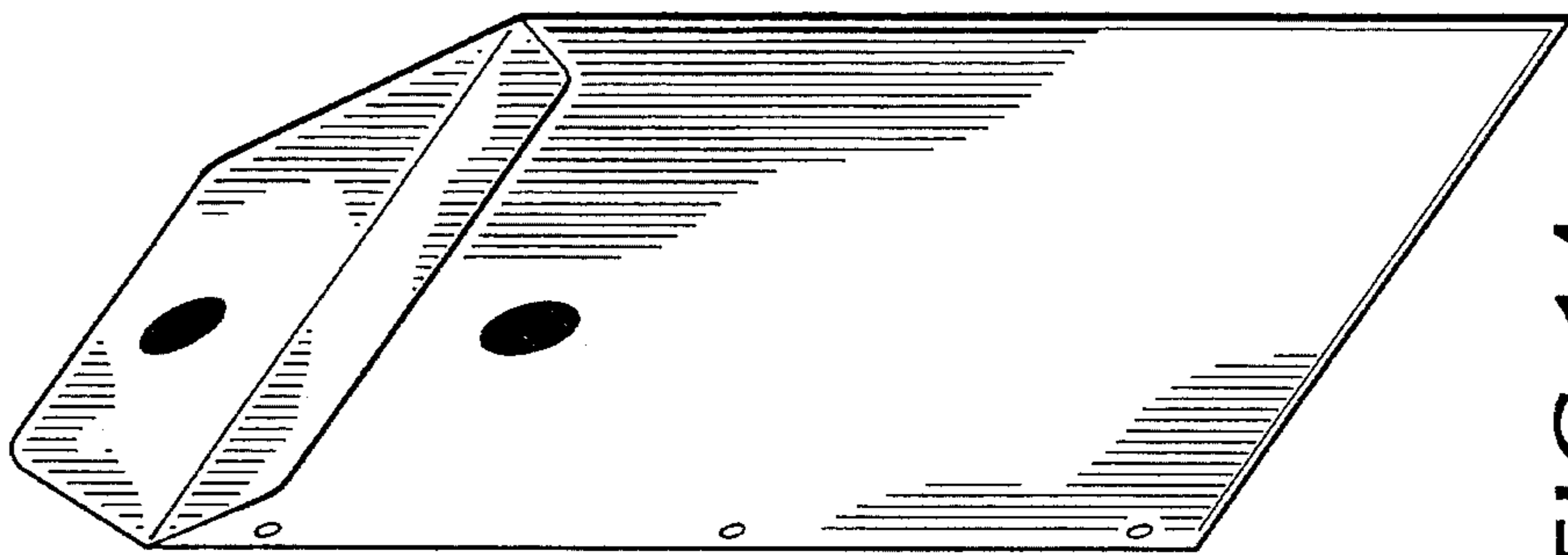


FIG. 14



FIG. 18

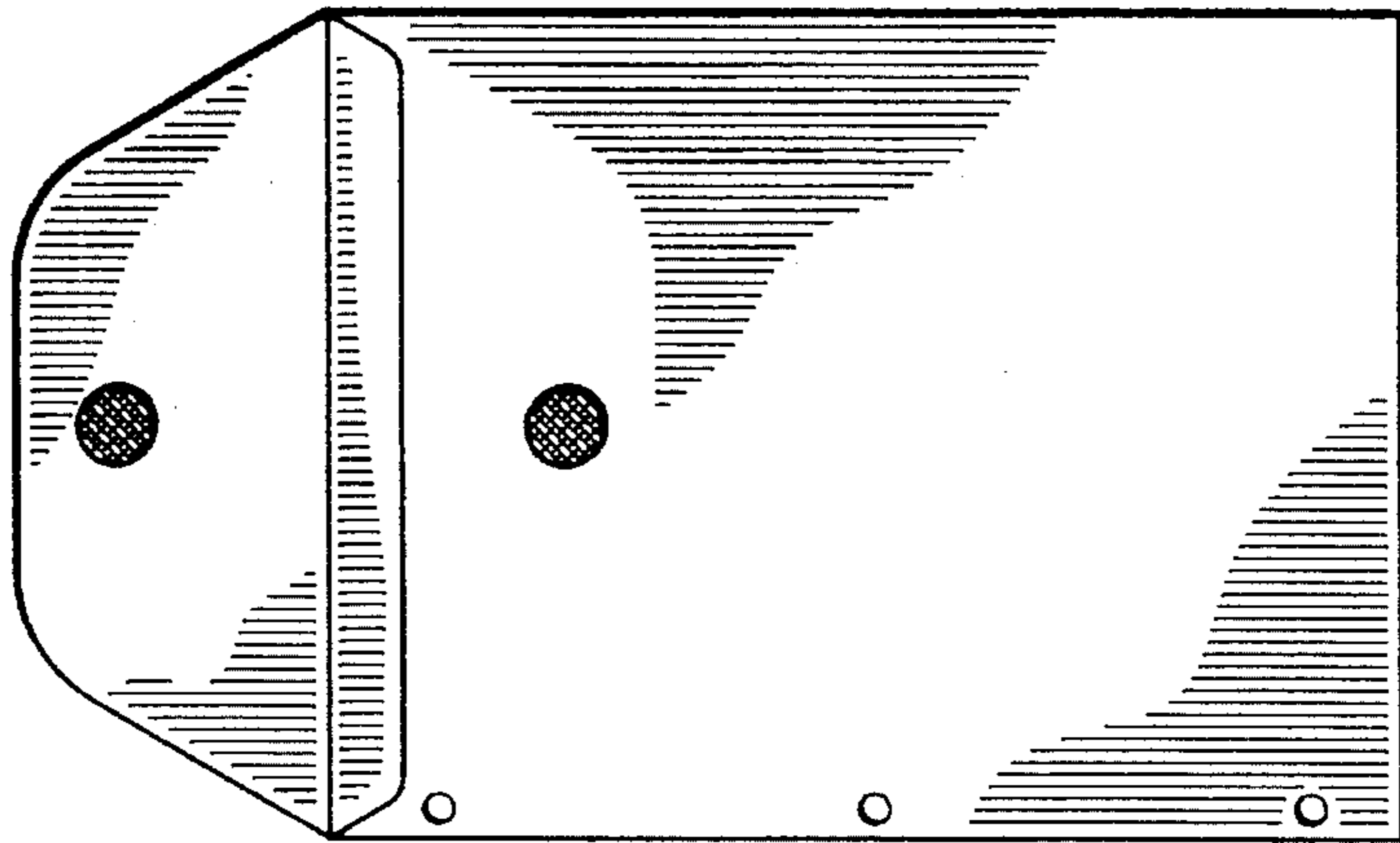


FIG. 15



FIG. 16

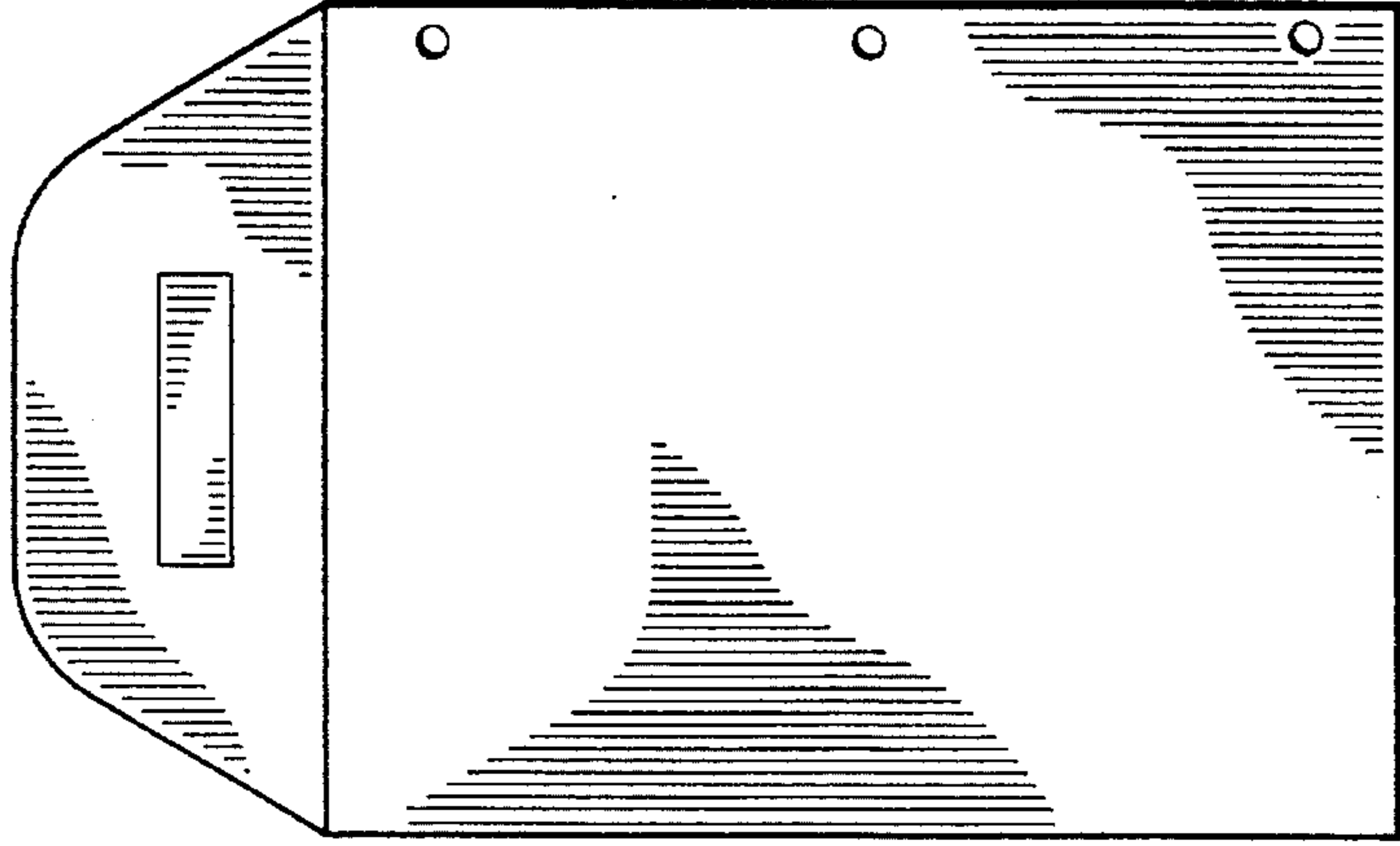


FIG. 17



FIG. 19

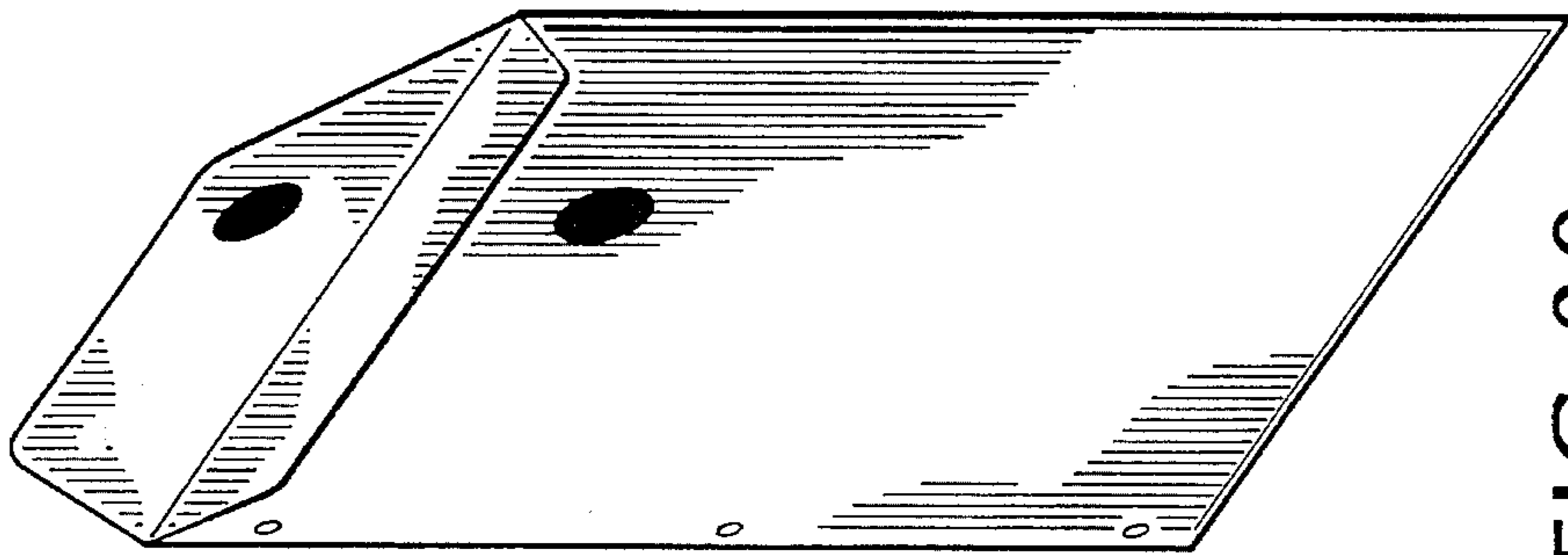


FIG. 20



FIG. 24

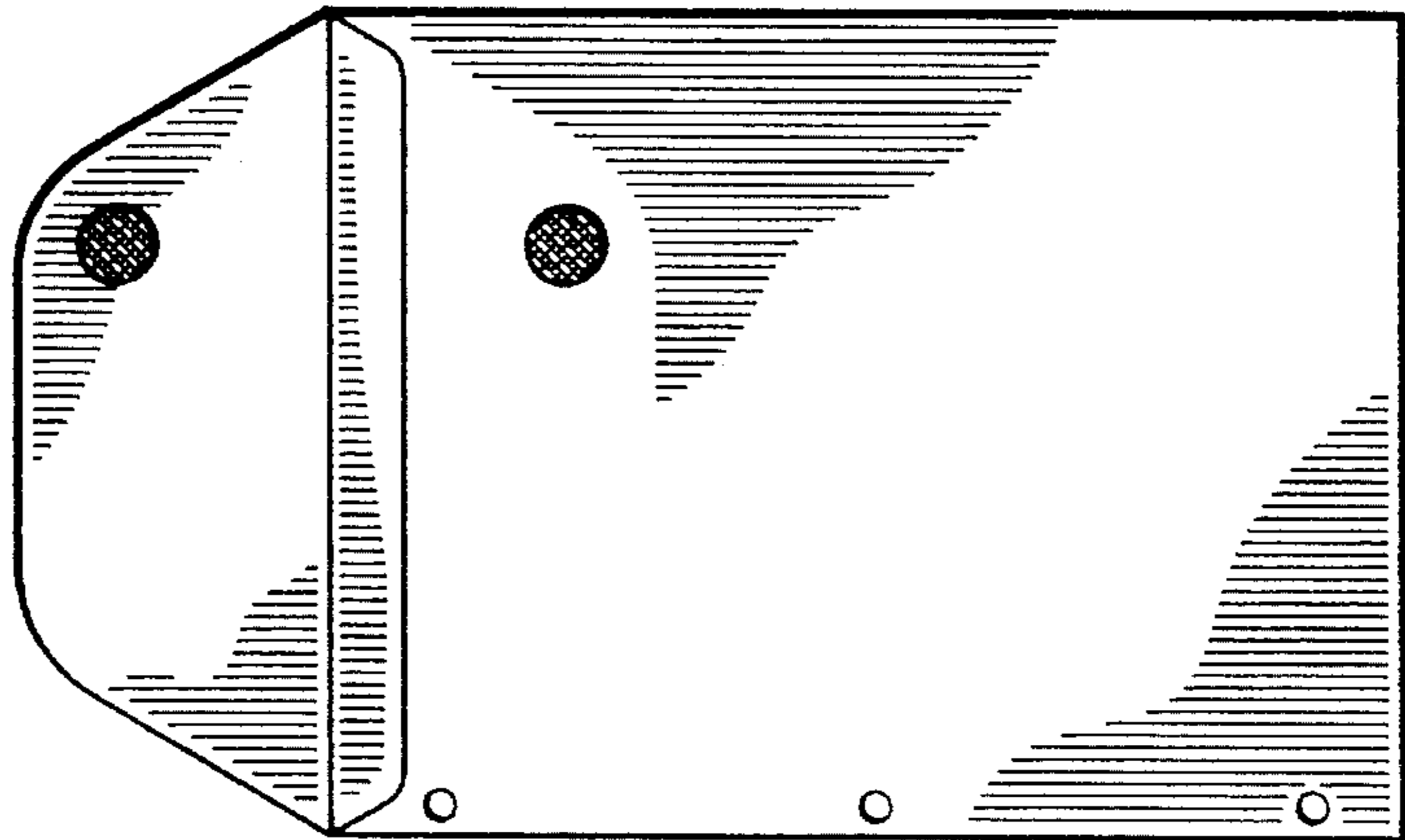


FIG. 21

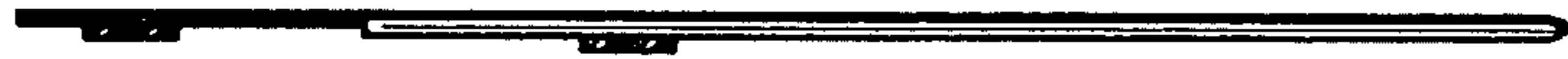


FIG. 22

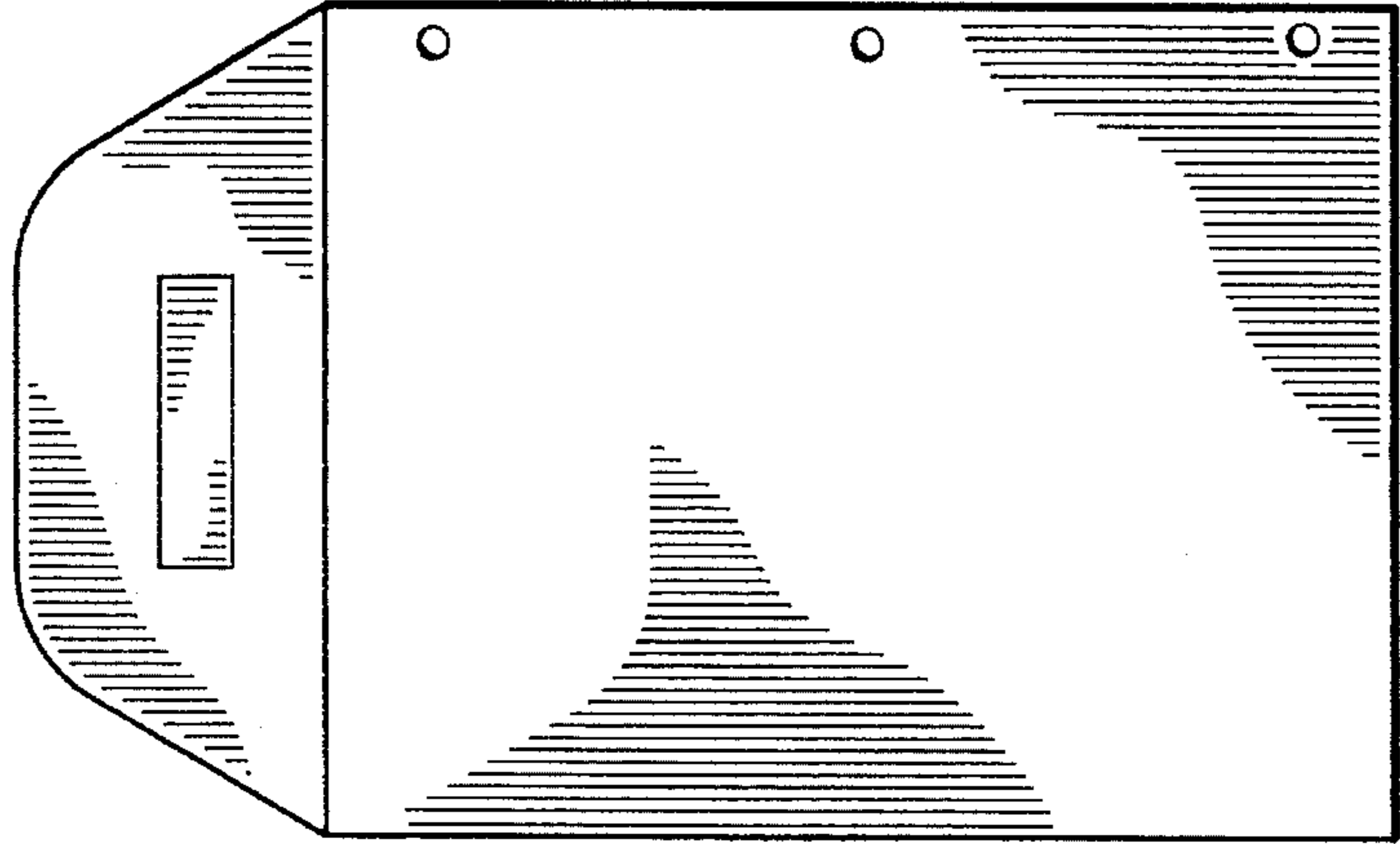


FIG. 23



FIG. 25