



US00D363736S

United States Patent [19]

Ujita et al.

[11] Patent Number: **Des. 363,736**

[45] Date of Patent: ***** Oct. 31, 1995**

[54] **INK CARTRIDGE FOR PRINTER**

[75] Inventors: **Toshihiko Ujita**, Yamato; **Keiichiro Tsukuda**; **Kayomi Sato**, both of Kawasaki; **Masanori Takenouchi**, Yokohama, all of Japan

[73] Assignee: **Canon Kabushiki Kaisha**, Tokyo, Japan

[*] Notice: The portion of the term of this patent subsequent to Jul. 5, 2008, has been disclaimed.

[**] Term: **14 Years**

[21] Appl. No.: **17,549**

[22] Filed: **Jan. 18, 1994**

[30] **Foreign Application Priority Data**

Jul. 20, 1993	[JP]	Japan	5-22150
[52]	U.S. Cl.	D18/56 ;	347/86
[58]	Field of Search	D18/56;	347/86-87,
				347/71

[56] **References Cited**

U.S. PATENT DOCUMENTS

D. 331,939 12/1992 Ujita D18/12

D. 338,224	8/1993	Ujita	D18/56
D. 338,232	8/1993	Kotaki et al.	D18/56
D. 341,619	11/1993	Ujita et al.	D18/56
D. 341,620	11/1993	Ujita et al.	D18/56

Primary Examiner—Cathy Anne MacCormac
Attorney, Agent, or Firm—Fitzpatrick, Cella, Harper & Scinto

[57] **CLAIM**

The ornamental design for an ink cartridge for printer, as shown and described.

DESCRIPTION

FIG. 1 is a front elevational view of an ink cartridge for printer showing our new design;

FIG. 2 is a rear elevational view thereof;

FIG. 3 is a top plan view thereof;

FIG. 4 is a bottom plan view thereof;

FIG. 5 is a left side elevational view thereof;

FIG. 6 is a right side elevational view thereof; and,

FIG. 7 is a perspective view thereof.

1 Claim, 2 Drawing Sheets

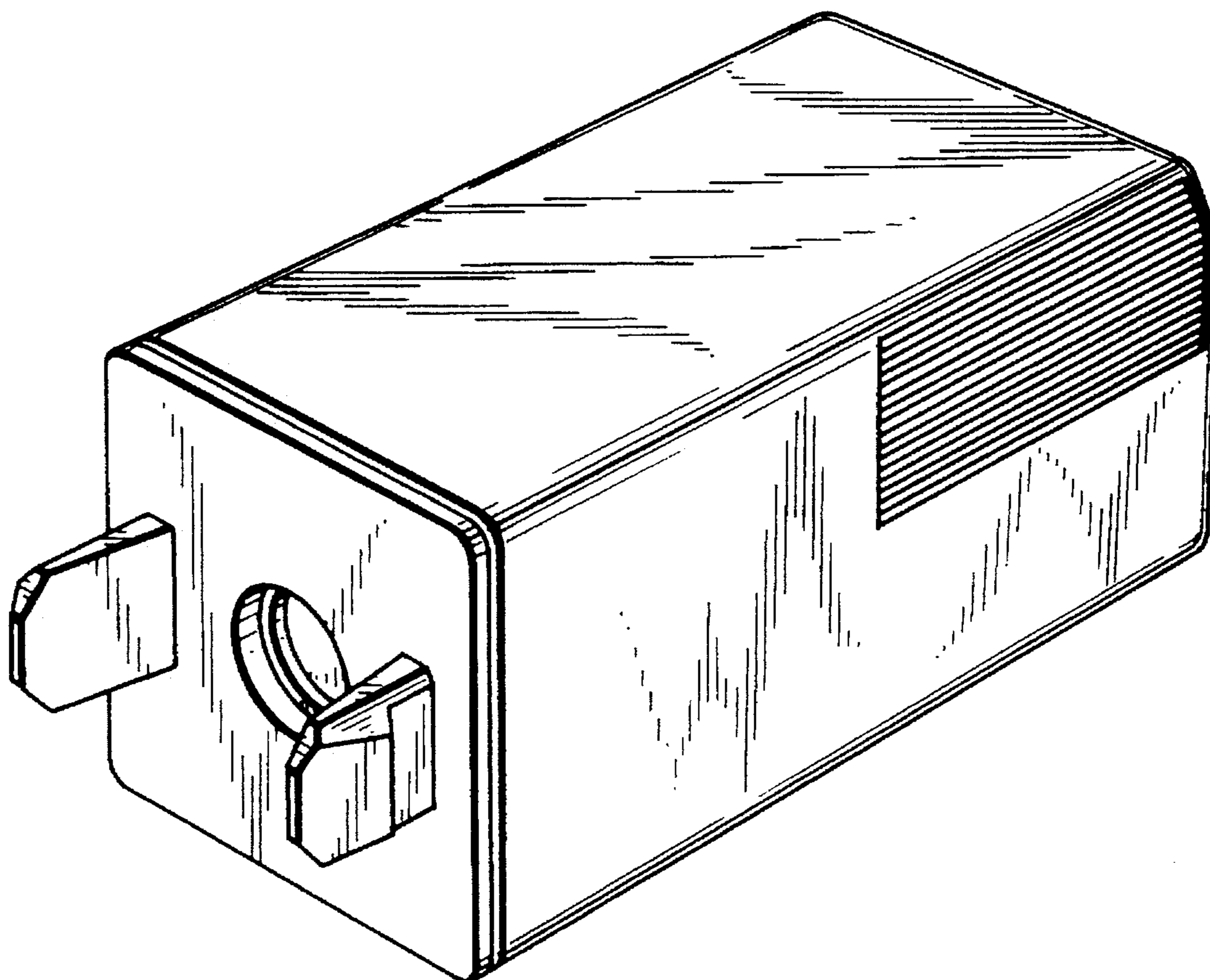


FIG. 1

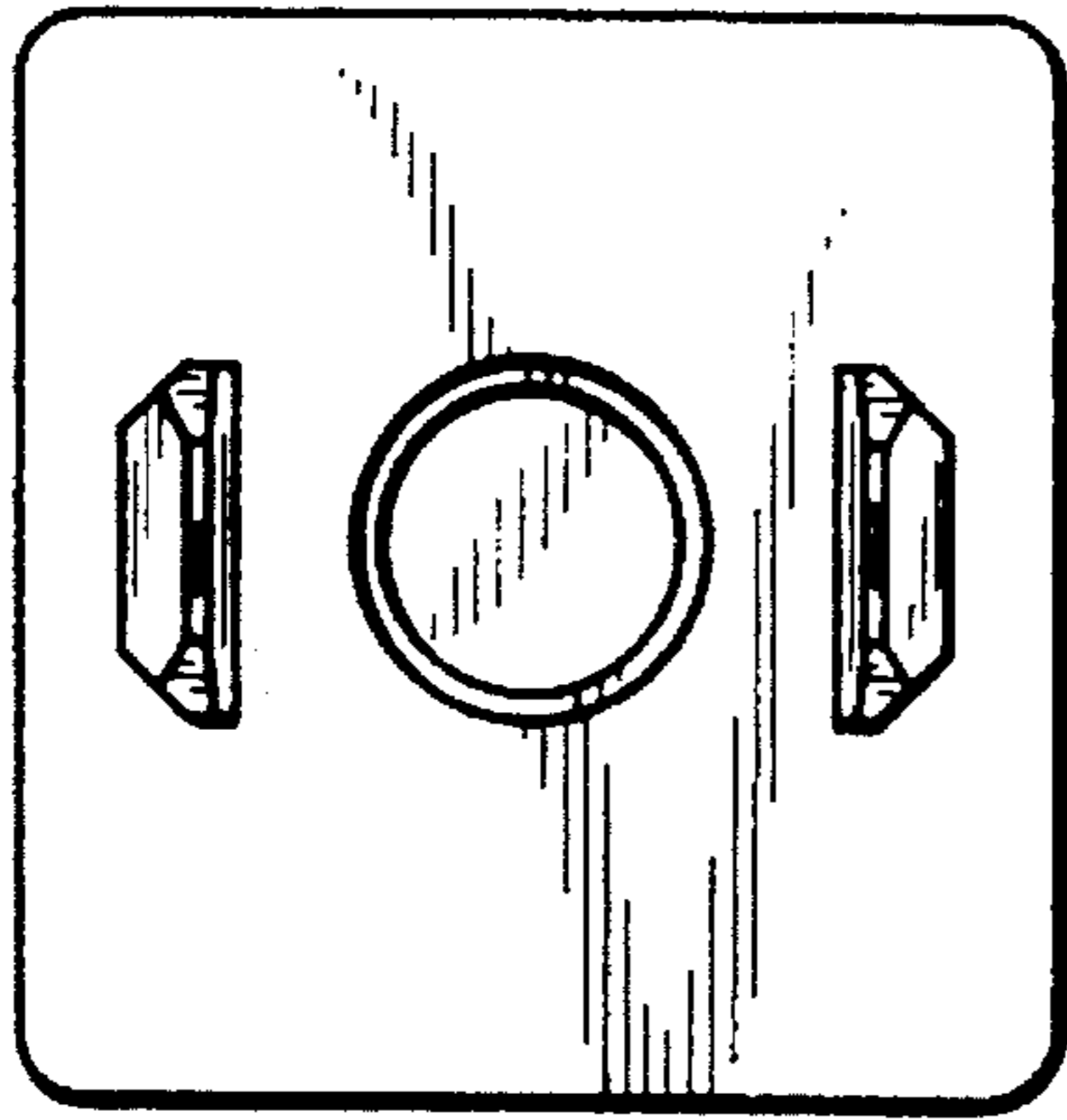


FIG. 2

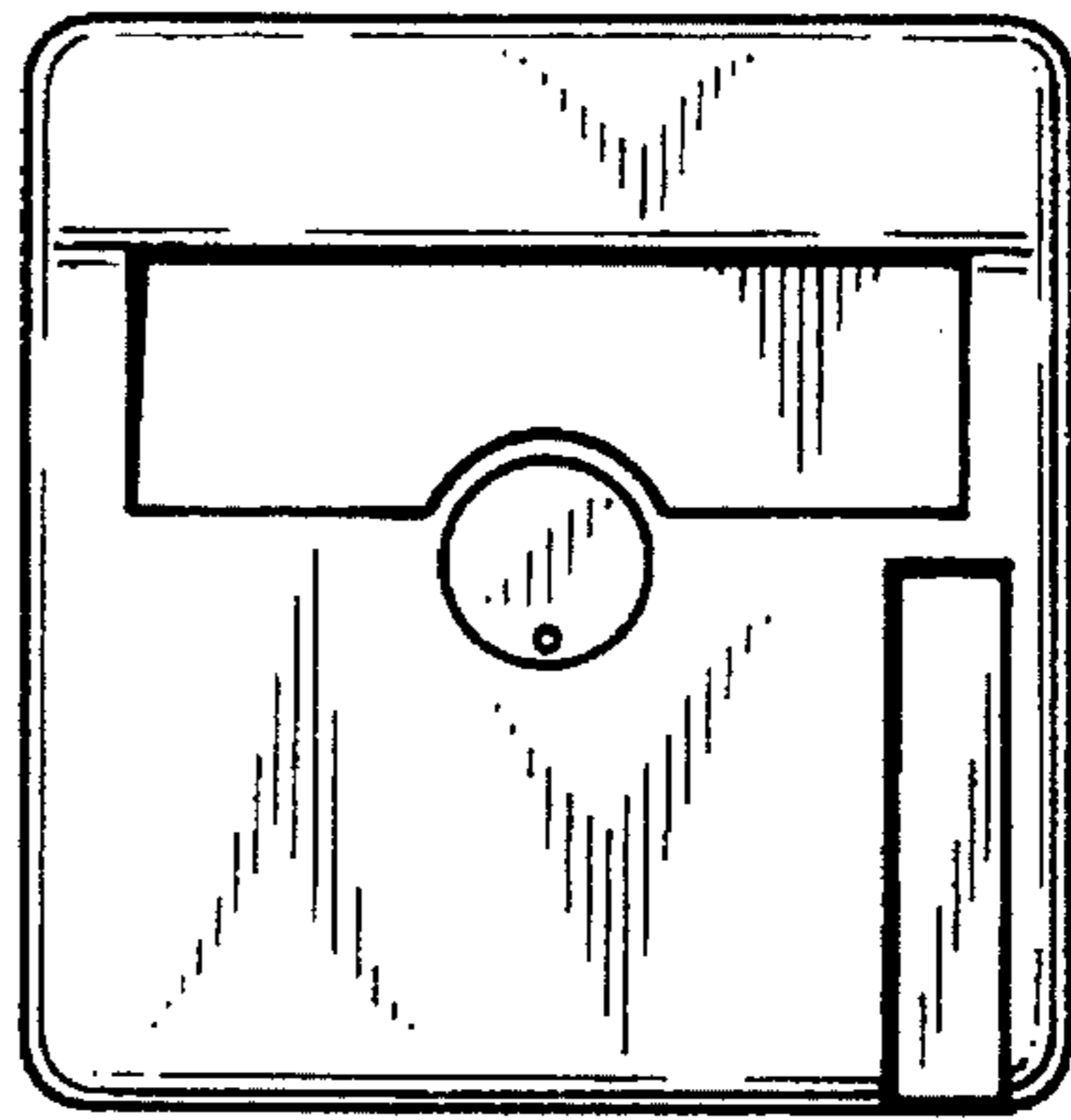


FIG. 3

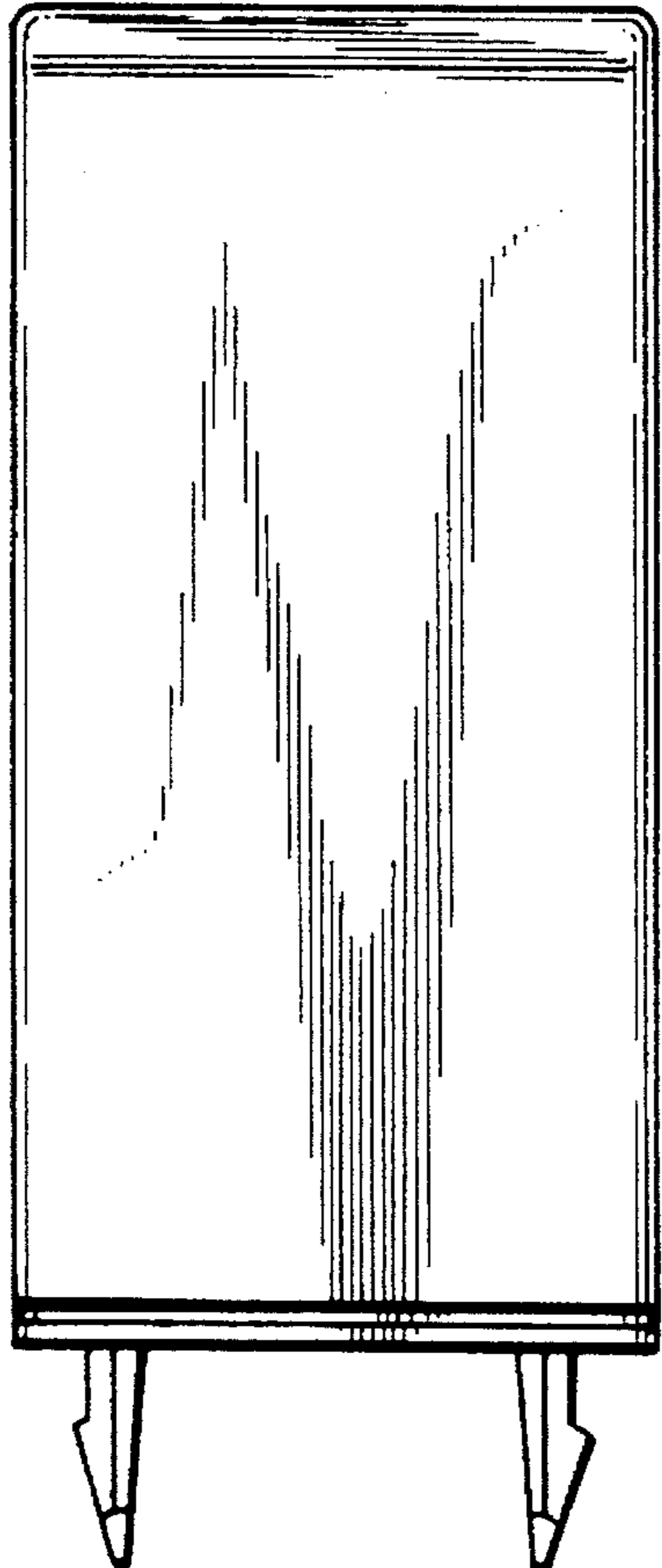


FIG. 4

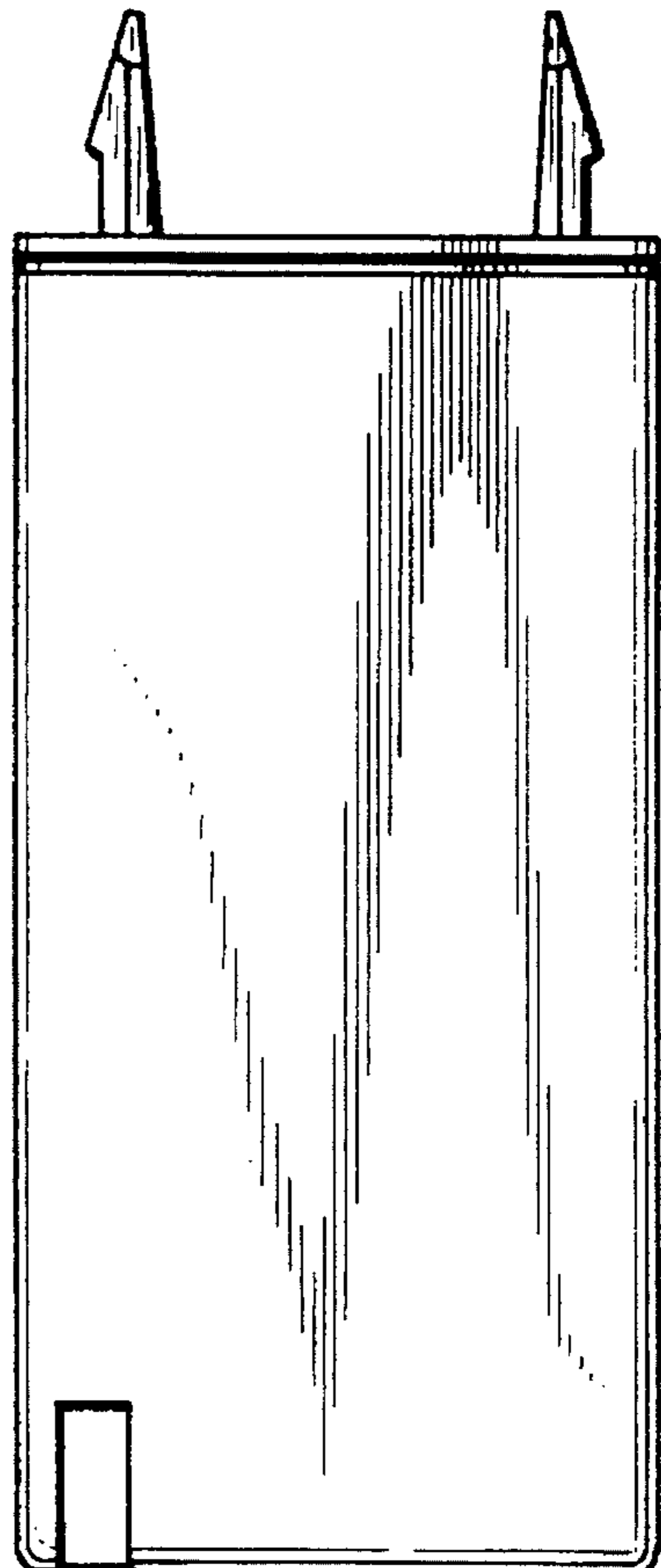


FIG. 5

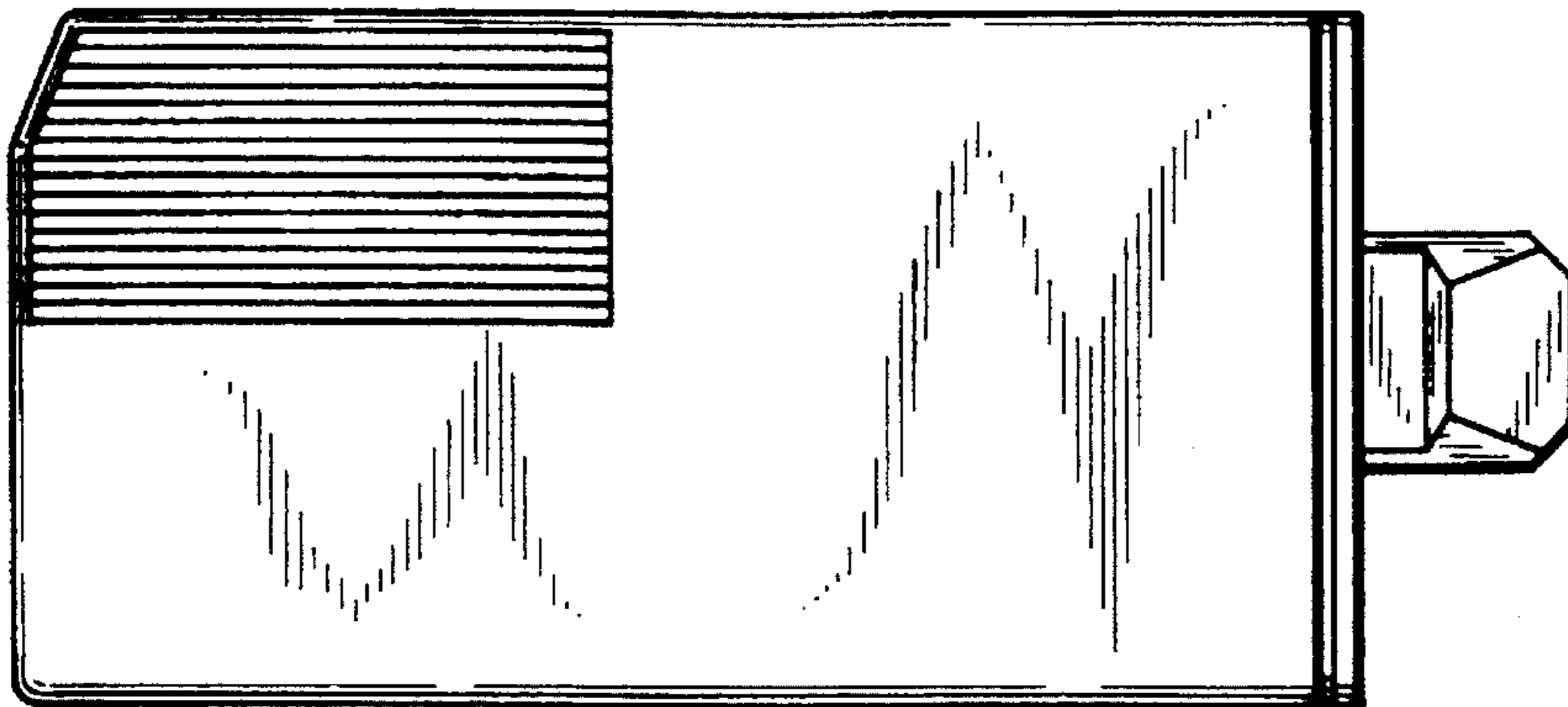


FIG. 6

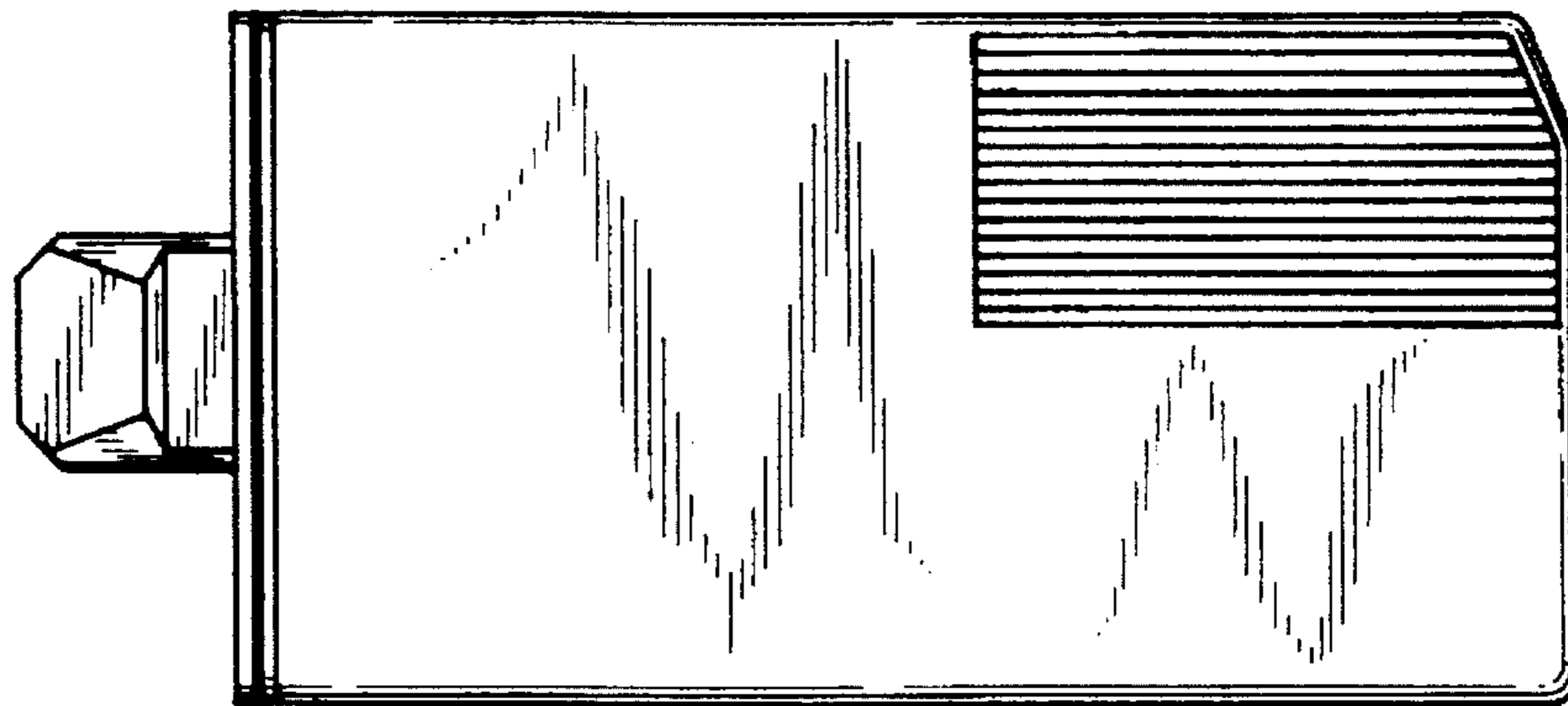
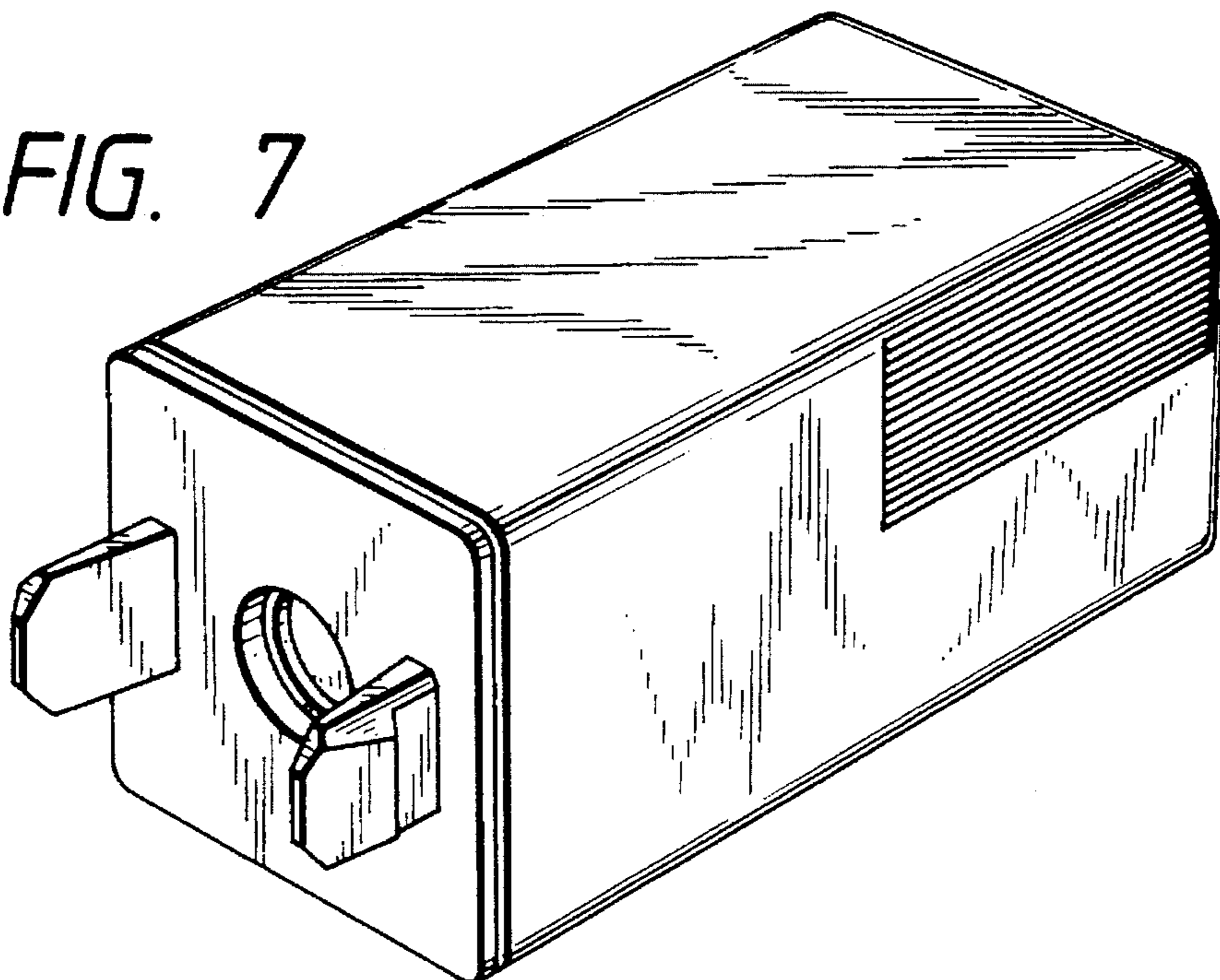


FIG. 7



UNITED STATES PATENT AND TRADEMARK OFFICE
CERTIFICATE OF CORRECTION

PATENT NO. : Des. 363,736

DATED : October 31, 1995

INVENTOR(S) : Ujita et al.

It is certified that error appears in the above-identified patent and that said Letters Patent is hereby corrected as shown below:

On the title page, item
[56] REFERENCES CITED

Cover Page, Column 2, after "D. 341,620 11/1993
Ujita et al. D/1856" insert
--D. 348,479 7/1994 Ujita et al. D18/56
D. 348,480 7/1994 Ujita et al. D18/56
D. 351,855 10/1994 Kubata et al. D18/56
D. 352,060 11/1994 Kubata et al. D18/56
4,131,899 12/1978 Christon 347/71
4,992,802 2/1991 Dion et al. 347/87
5,162,817 11/1992 Tajika et al. 347/86--.

Cover Page, Column 2, after "5,162,817 11/1992 Tajika
et al. 347/86" insert

--FOREIGN PATENT DOCUMENTS

27237 2/1986 Japan 400/208--.

Signed and Sealed this

Twenty-eighth Day of May, 1996



BRUCE LEHMAN

Attest:

Attesting Officer

Commissioner of Patents and Trademarks