



US00D363735S

# United States Patent [19]

Karafuji et al.

[11] Patent Number: **Des. 363,735**

[45] Date of Patent: **\*\*Oct. 31, 1995**

[54] **PRINTING MACHINE**

[75] Inventors: **Nobuhiko Karafuji**, Tokyo; **Takahiko Shinmoto**, Hiroshima, both of Japan

[73] Assignee: **Ryobi, Ltd.**, Hiroshima, Japan

[\*\*] Term: **14 Years**

[21] Appl. No.: **19,280**

[22] Filed: **Feb. 28, 1994**

### [30] Foreign Application Priority Data

Sep. 6, 1993 [JP] Japan ..... 5-27108

[52] U.S. Cl. .... **D18/53**

[58] Field of Search ..... D18/36-39, 50, D18/53; 400/691, 693; 355/200, 210, 202; 101/76, 217; 346/263, 170; D14/107, 102; 347/29, 145

### [56] References Cited

#### U.S. PATENT DOCUMENTS

D. 203,776	2/1966	Abend et al. ....	D18/38
D. 312,267	11/1990	Biggs et al. ....	D18/39
D. 318,479	7/1991	Nishiseko et al. ....	D18/39
D. 353,618	12/1994	Hiraishi et al. ....	D18/53
D. 355,438	2/1995	Sugimoto ....	D18/53
3,611,431	10/1971	Rosmanith ....	346/145
4,014,490	3/1977	Joyce ....	101/76
4,636,868	1/1987	Malyon ....	D18/39

4,905,597	3/1990	Van den Bergh .....	101/217
4,936,214	6/1990	Overholser .....	101/76
5,049,929	9/1991	Anderson et al. ....	D18/39

#### FOREIGN PATENT DOCUMENTS

6241107 12/1991 Japan .

#### OTHER PUBLICATIONS

Lanier World, Inc. advertisement in the Guide To FOSE Expo; 7100 Duplicator. Lithoweek; Oct. 28, 1987; p. 2; Ryobi 3302 M.

*Primary Examiner*—Cathy Anne MacCormac  
*Attorney, Agent, or Firm*—Sughrue, Mion, Zinn, Macpeak & Seas

### [57] CLAIM

The ornamental design for a printing machine, as shown.

#### DESCRIPTION

FIG. 1 is a perspective view of the top, front and left end of a printing machine showing our new design; FIG. 2 is a front elevational view thereof; FIG. 3 is a rear elevational view thereof; FIG. 4 is an end elevational view of the left end thereof; FIG. 5 is an end elevational view of the right end thereof; and, FIG. 6 is a top plan view thereof.

1 Claim, 6 Drawing Sheets

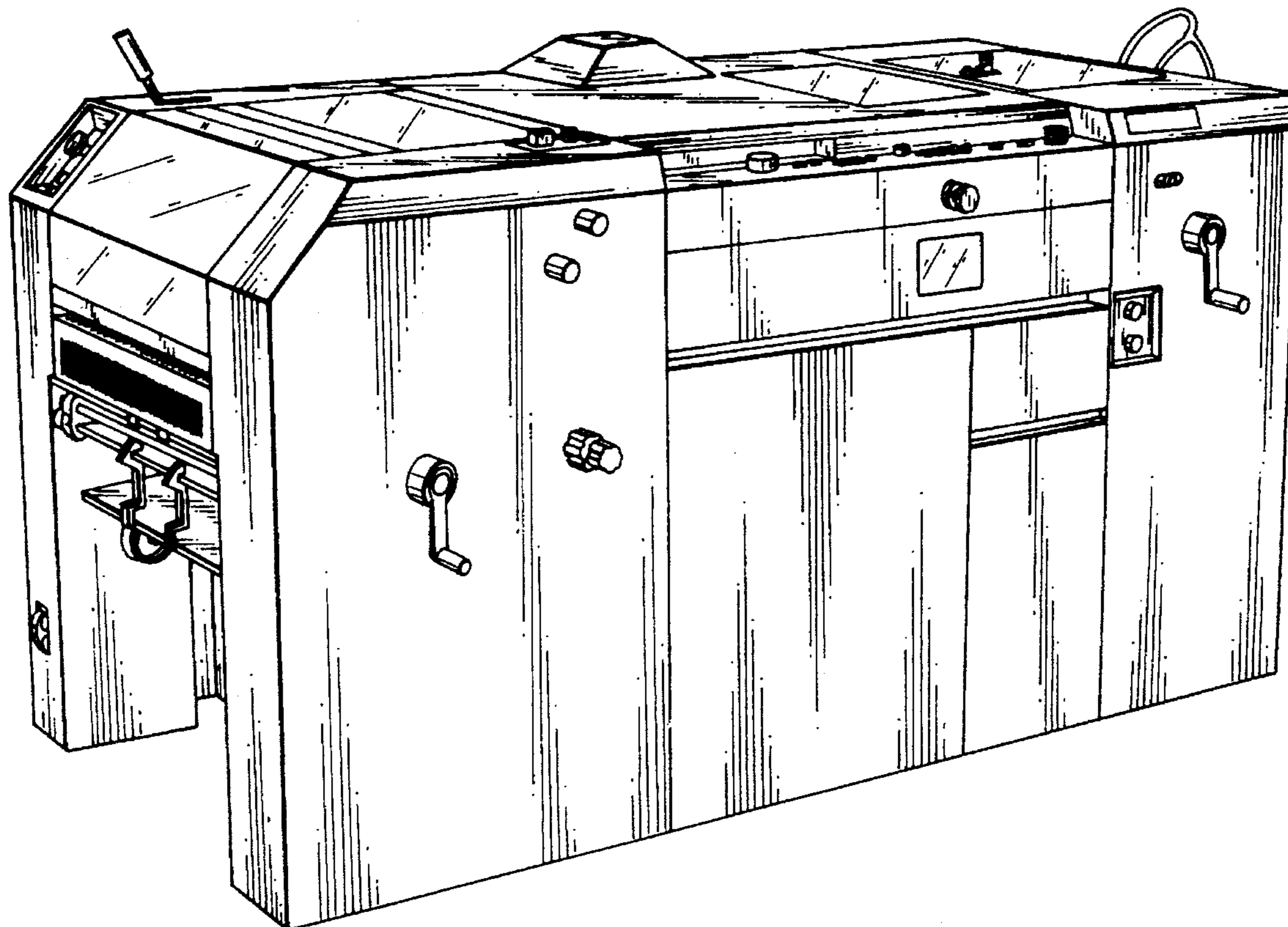


Fig. 1

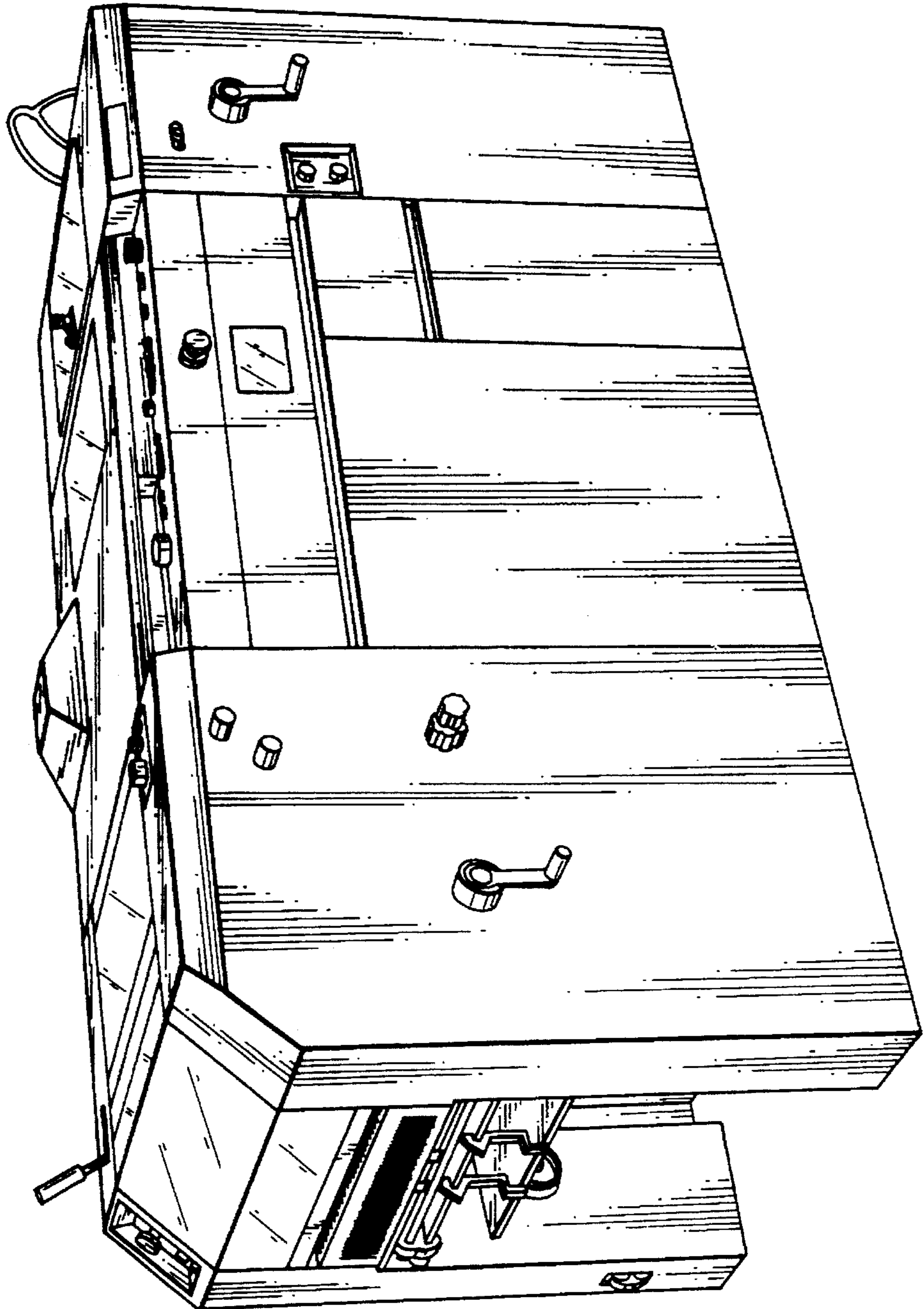


Fig. 2

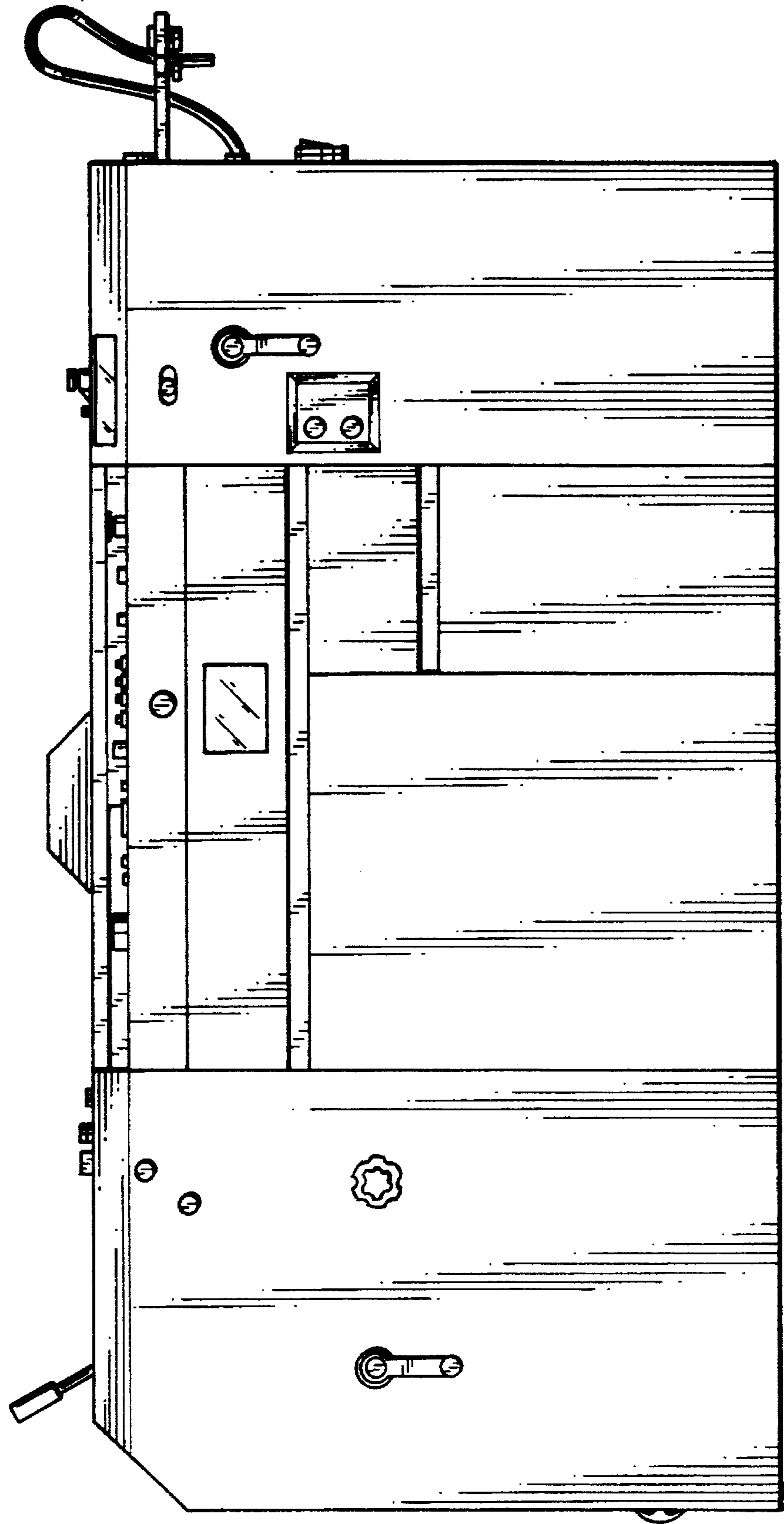
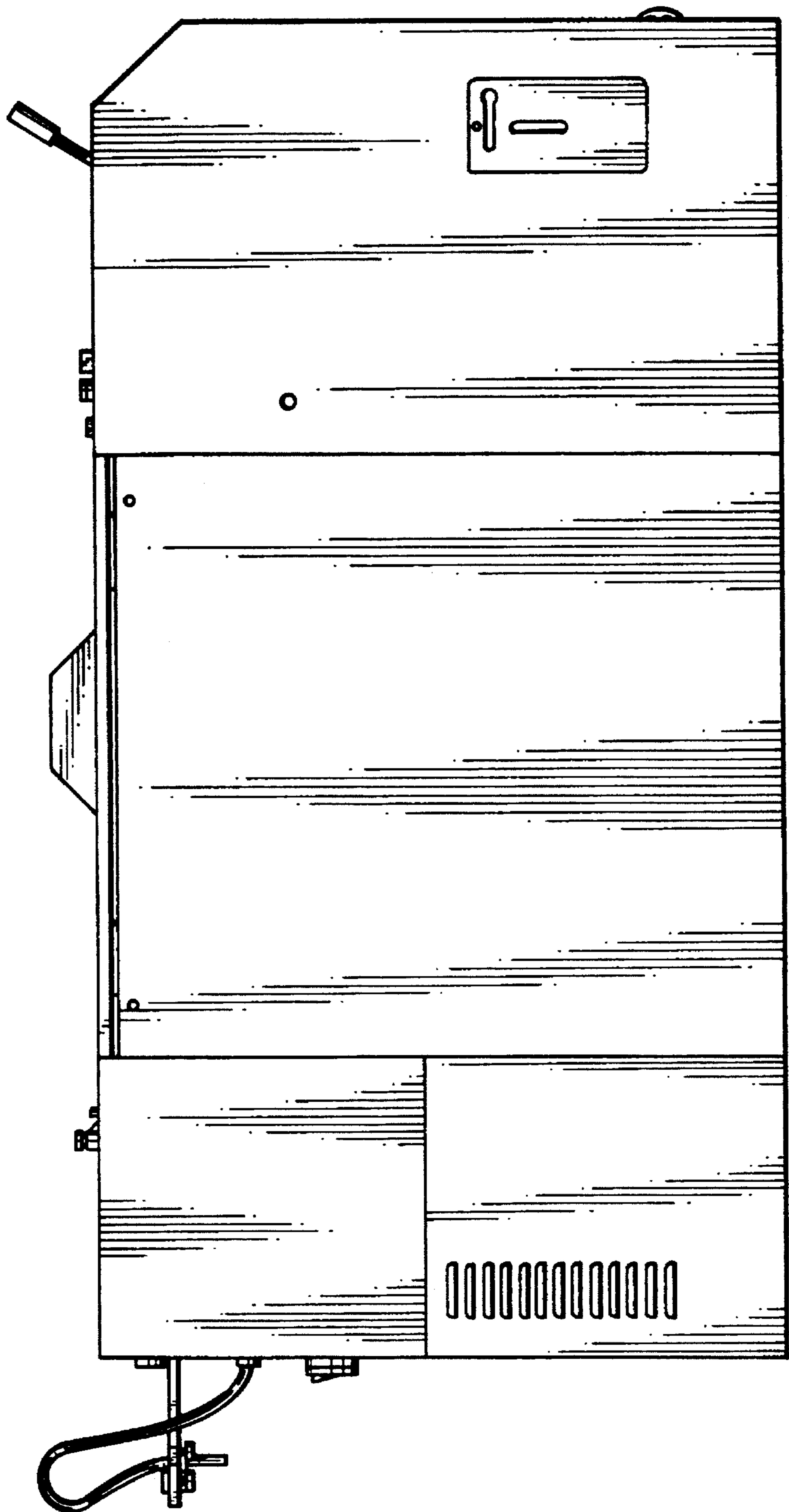
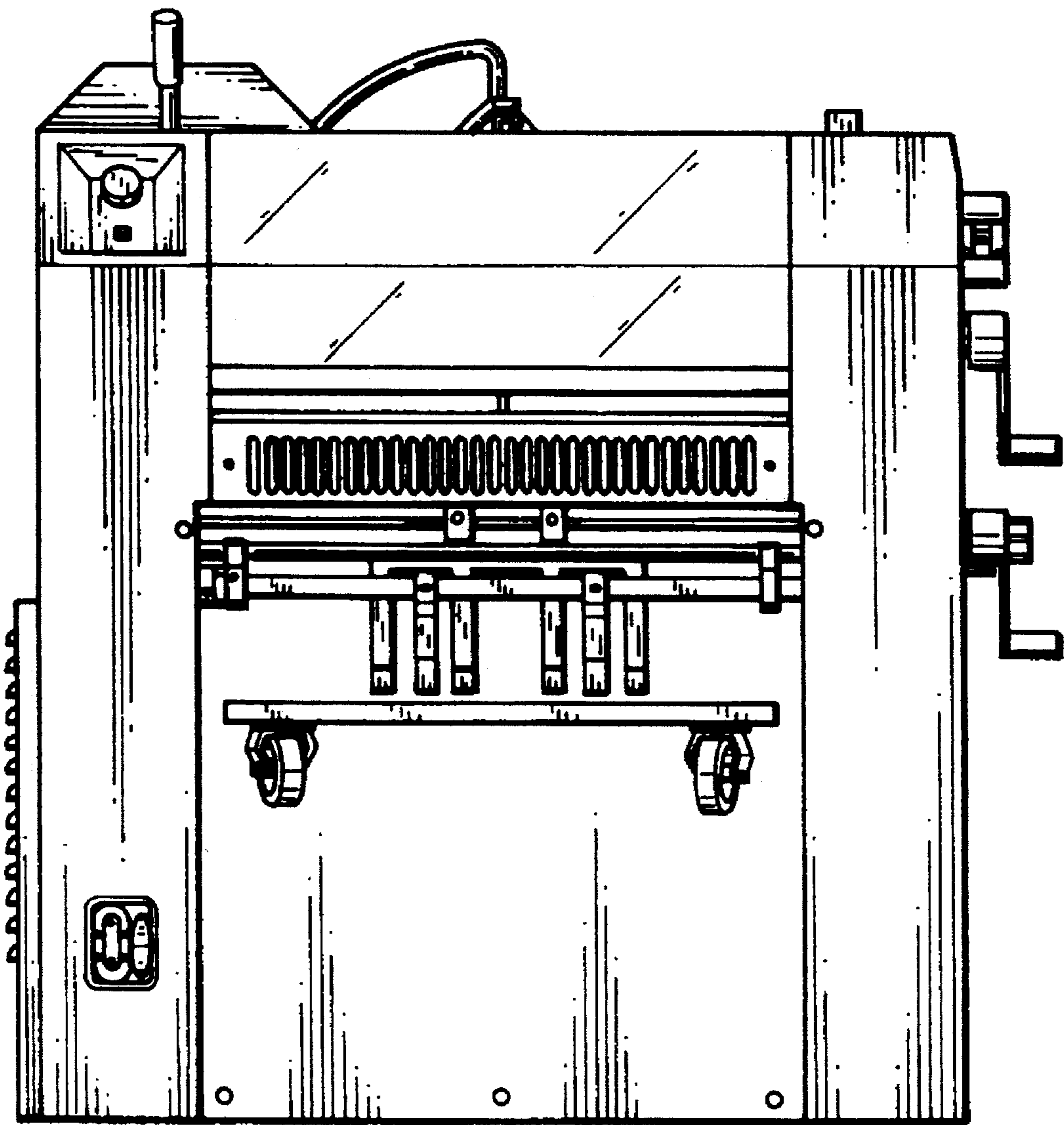


Fig. 3



*Fig. 4*



*Fig. 5*

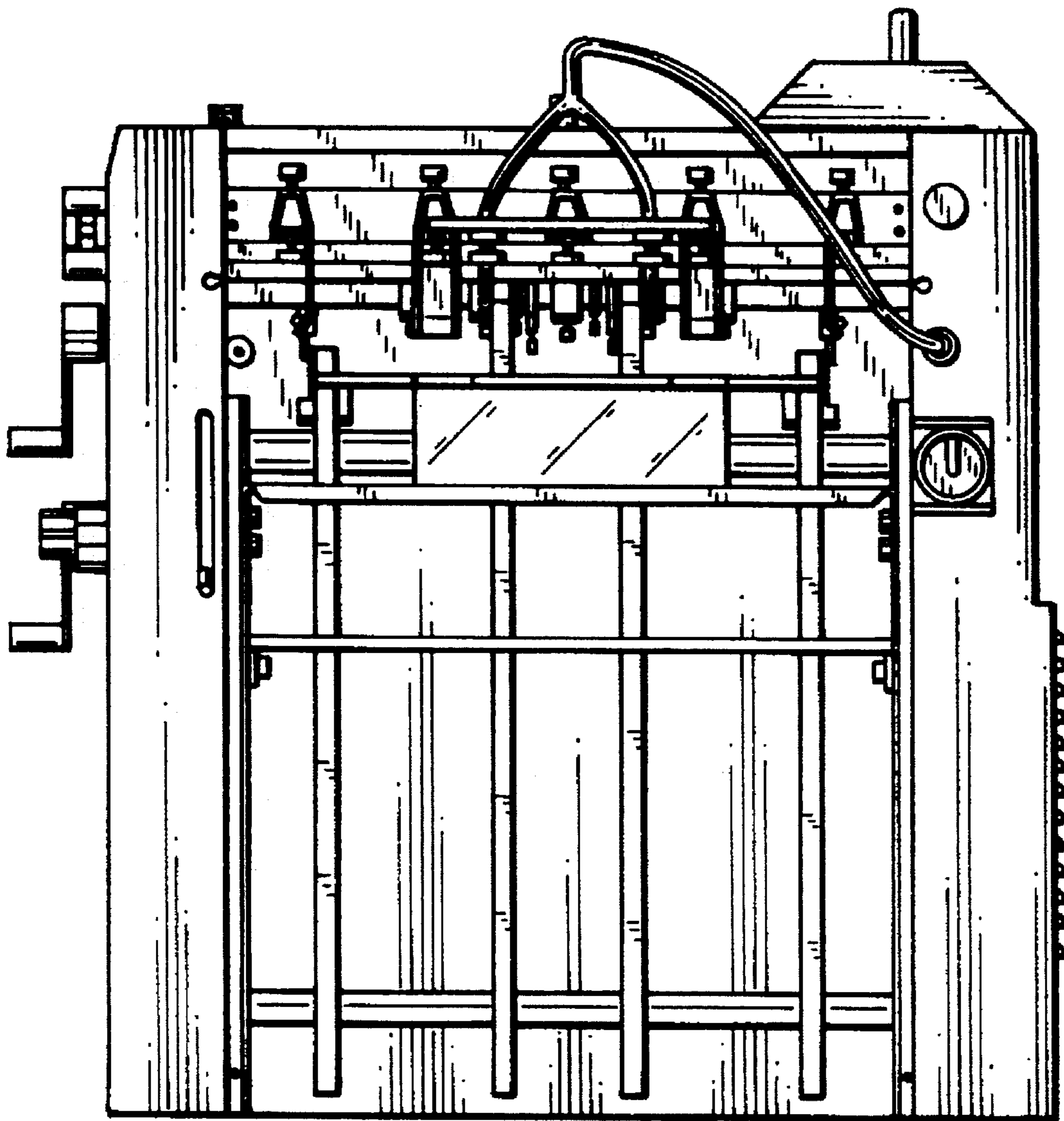


Fig. 6

