



US00D363726S

United States Patent [19] Chang

[11] Patent Number: **Des. 363,726**

[45] Date of Patent: ****Oct. 31, 1995**

[54] **ELECTRIC SAW**

D. 348,889 7/1994 Chang D15/133
D. 352,948 11/1994 Chang D15/133

[75] Inventor: **Chiu-Tsun Chang**, Taichung, Taiwan

Primary Examiner—Antoine Duval Davis
Attorney, Agent, or Firm—Hoffmann & Baron

[73] Assignee: **P&F Brother Industrial Corporation**,
Taichung, Taiwan

[57] CLAIM

[**] Term: **14 Years**

The ornamental design for electric saw, as shown and described.

[21] Appl. No.: **26,775**

DESCRIPTION

[22] Filed: **Aug. 5, 1994**

[52] U.S. Cl. **D15/133**

FIG. 1 is a perspective view of an electric saw showing my new design;

[58] Field of Search D15/133; 83/471.1,
83/471.2, 471.3, 471.4, 477, 581

FIG. 2 is a front elevational view thereof;

FIG. 3 is a rear elevational view thereof;

FIG. 4 is a left side elevational view thereof;

FIG. 5 is a right side elevational view thereof; and,

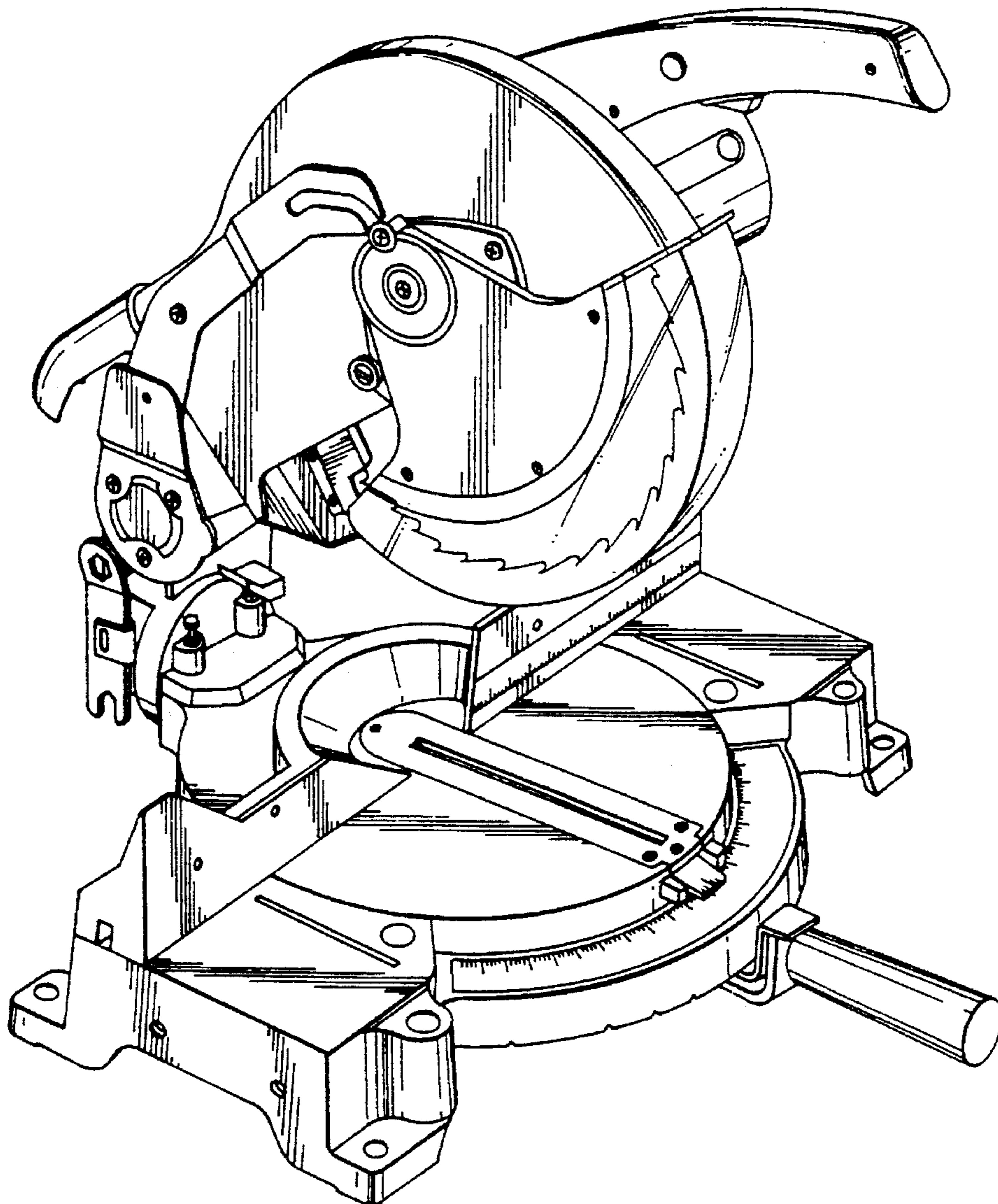
FIG. 6 is a top plan view thereof.

[56] References Cited

U.S. PATENT DOCUMENTS

D. 287,694 1/1987 Miyamoto D15/133
D. 326,668 6/1992 Archart et al. D15/133
D. 334,756 4/1993 Sakamoto et al. D15/133

1 Claim, 4 Drawing Sheets



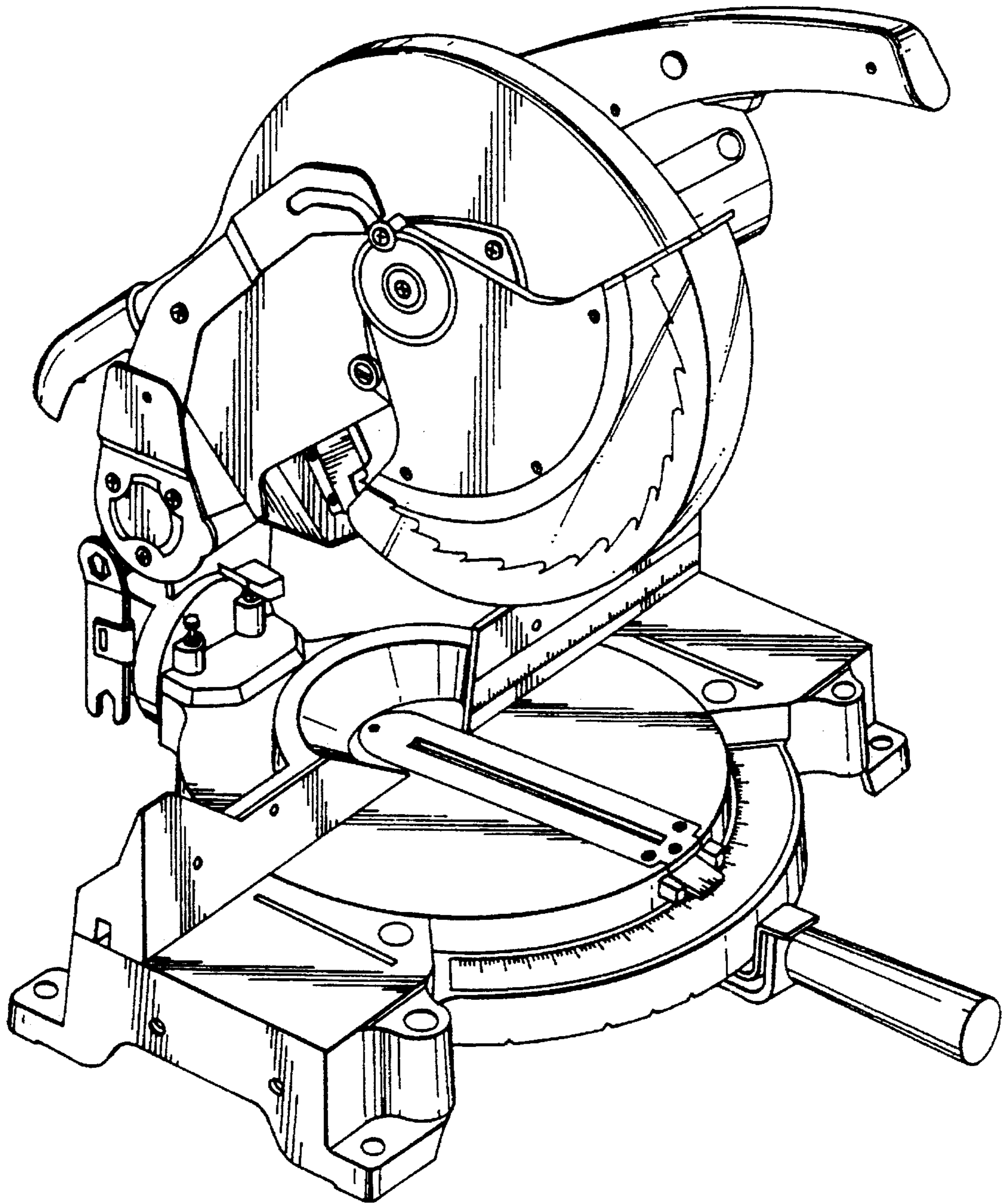


FIG. 1

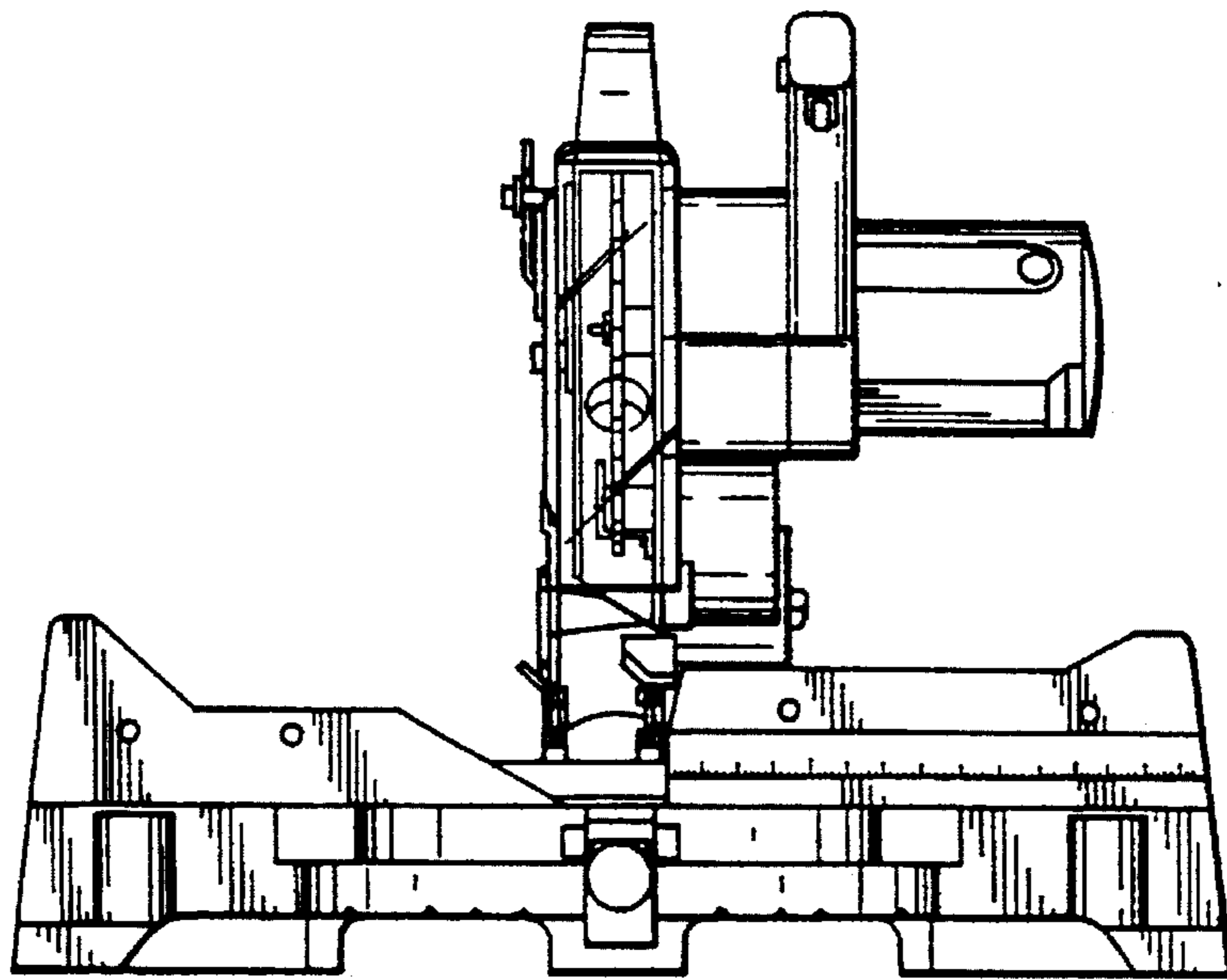


FIG. 2

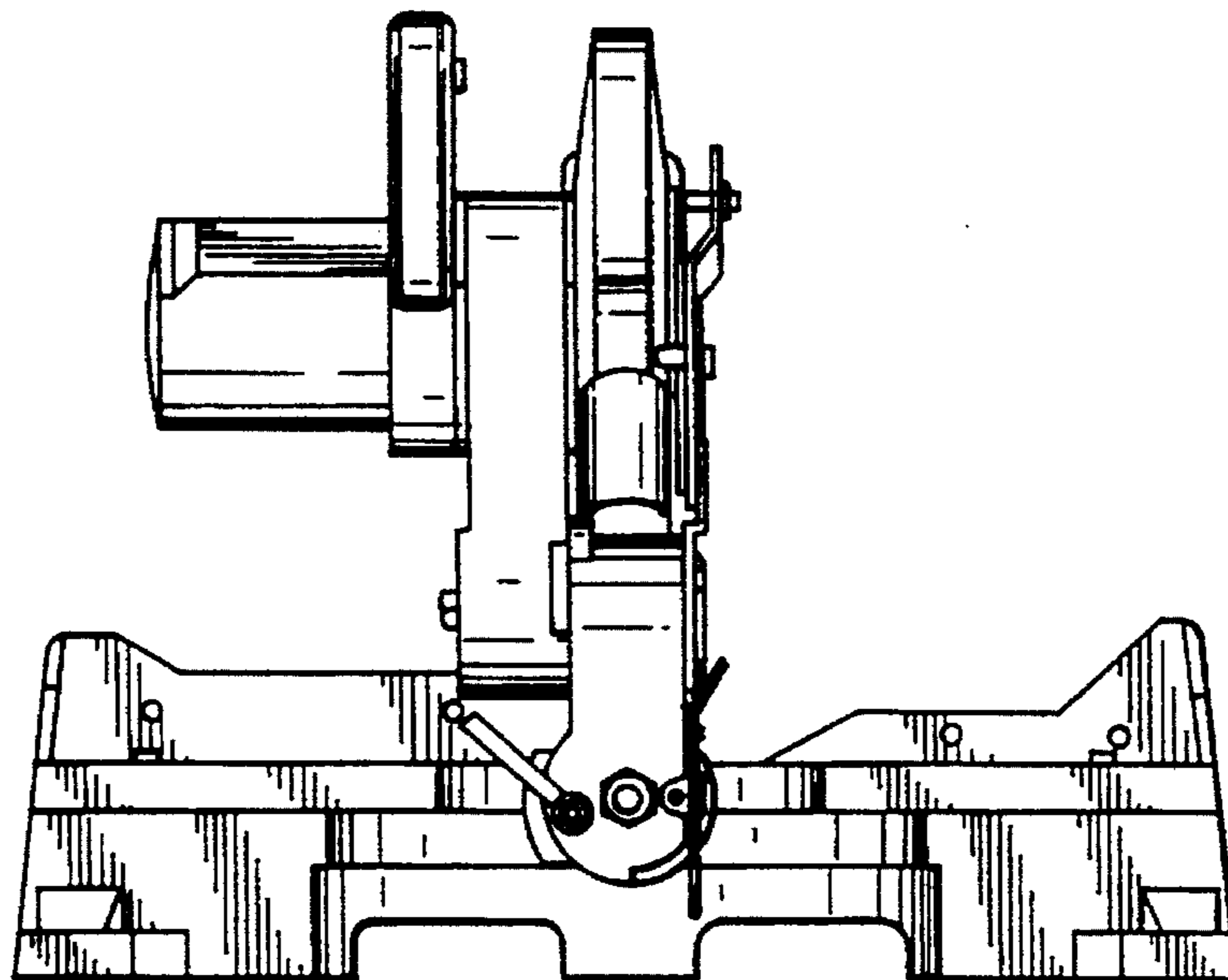


FIG. 3

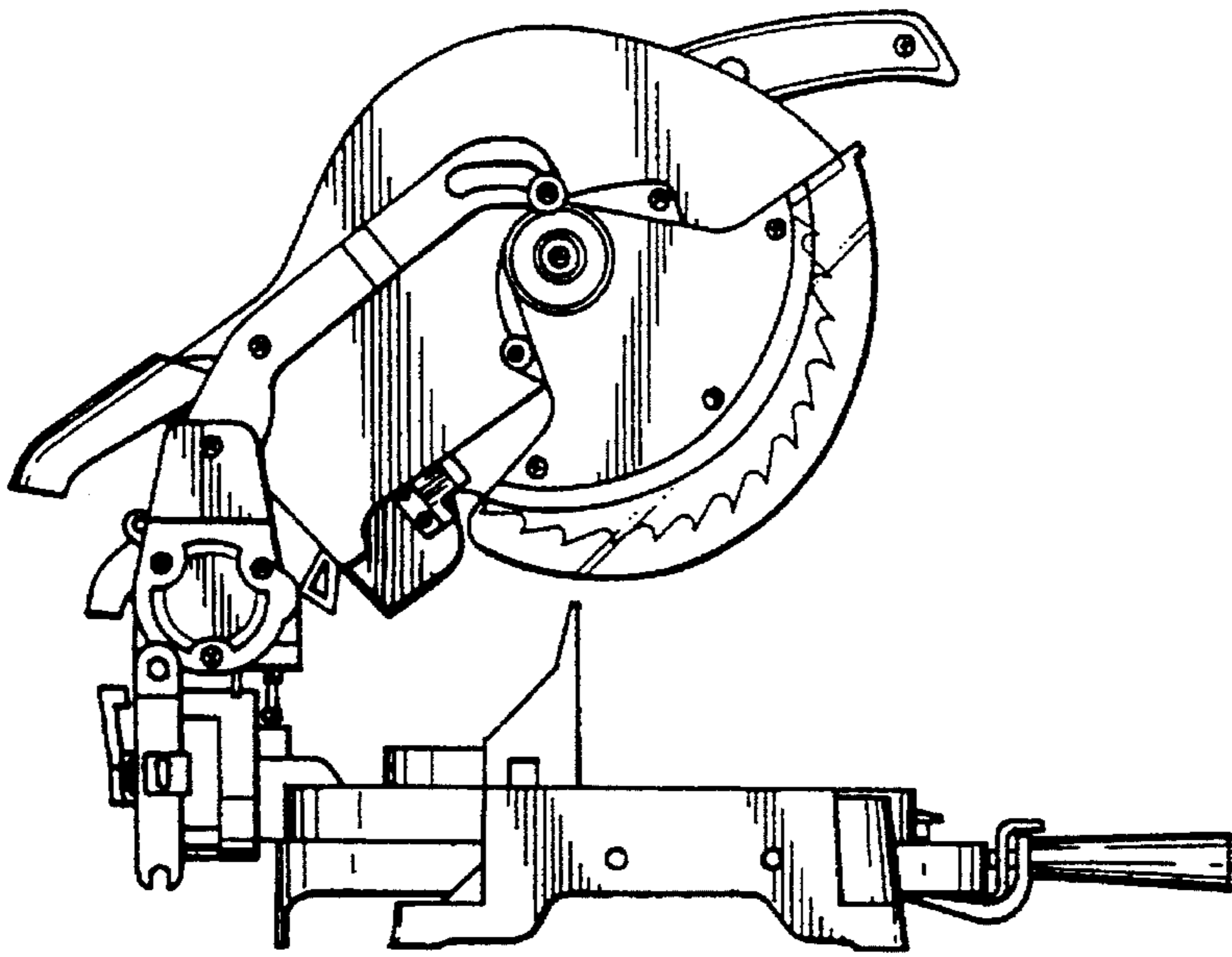


FIG. 4

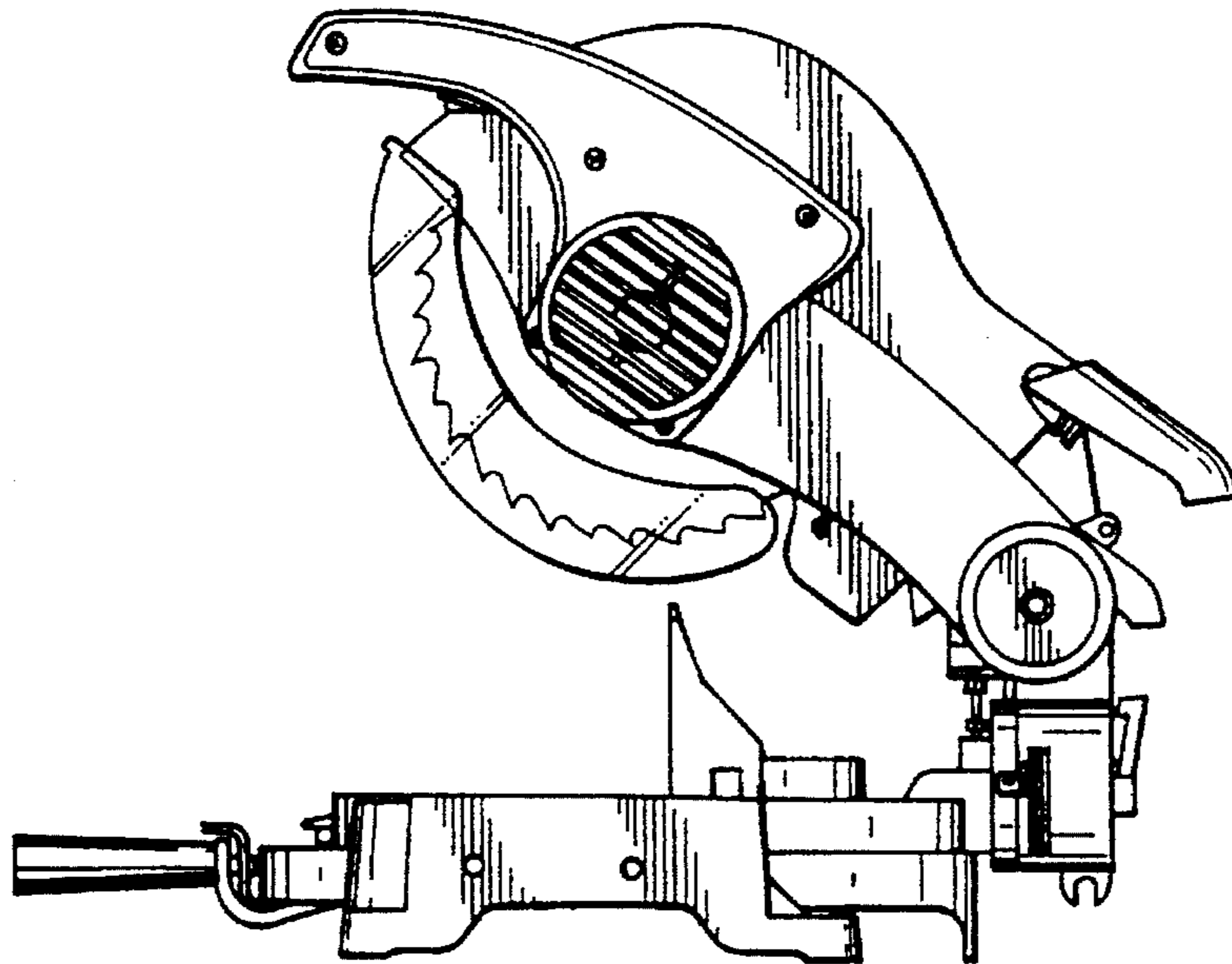


FIG. 5

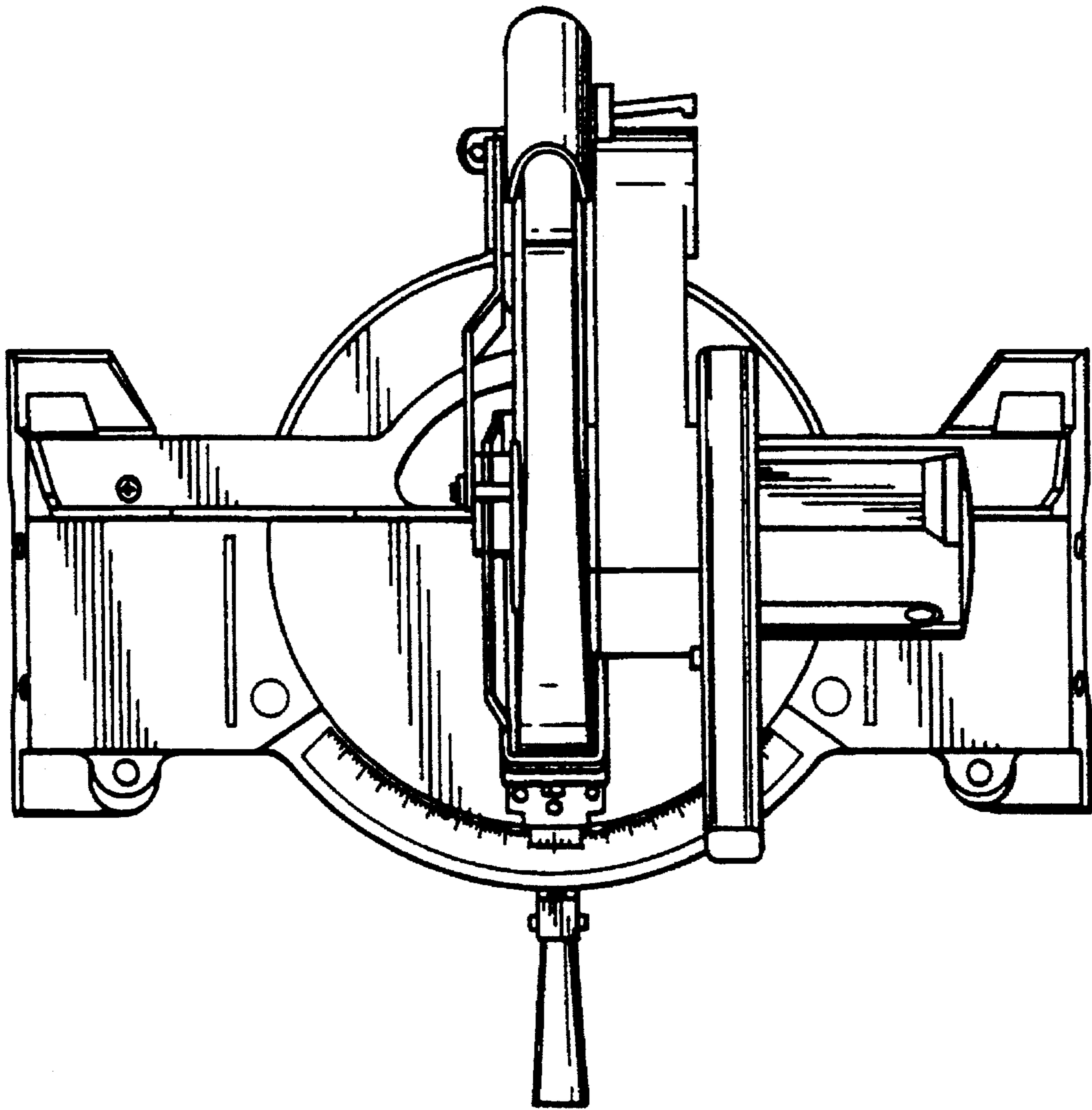


FIG. 6