



US00D363724S

United States Patent [19]

Jue et al.

[11] Patent Number: **Des. 363,724**

[45] Date of Patent: ****Oct. 31, 1995**

[54] **FRONT PANEL FOR AN AMATEUR RADIO CODE KEYS**

[75] Inventors: **Martin F. Jue**, Starkville; **Stephen D. Jue**, Mississippi State, both of Miss.

[73] Assignee: **MFJ Enterprises, Inc.**, Starkville, Miss.

[**] Term: **14 Years**

[21] Appl. No.: **5,763**

[22] Filed: **Mar. 11, 1993**

[52] U.S. Cl. **D14/257**

[58] **Field of Search** D14/155-157, D14/160-163, 170-172, 188, 189, 192, 195, 257; 455/344-347, 350, 351

[56] **References Cited**

U.S. PATENT DOCUMENTS

D. 184,776 3/1959 Solomon D14/155

D. 248,301 6/1978 Gleaton D14/257
D. 249,493 3/1988 Staley D14/257
D. 305,122 12/1989 Swartz D14/257
D. 311,920 11/1990 Fuller et al. D14/257

Primary Examiner—Dominic Simone
Attorney, Agent, or Firm—Kilpatrick & Cody; James L. Ewing, IV

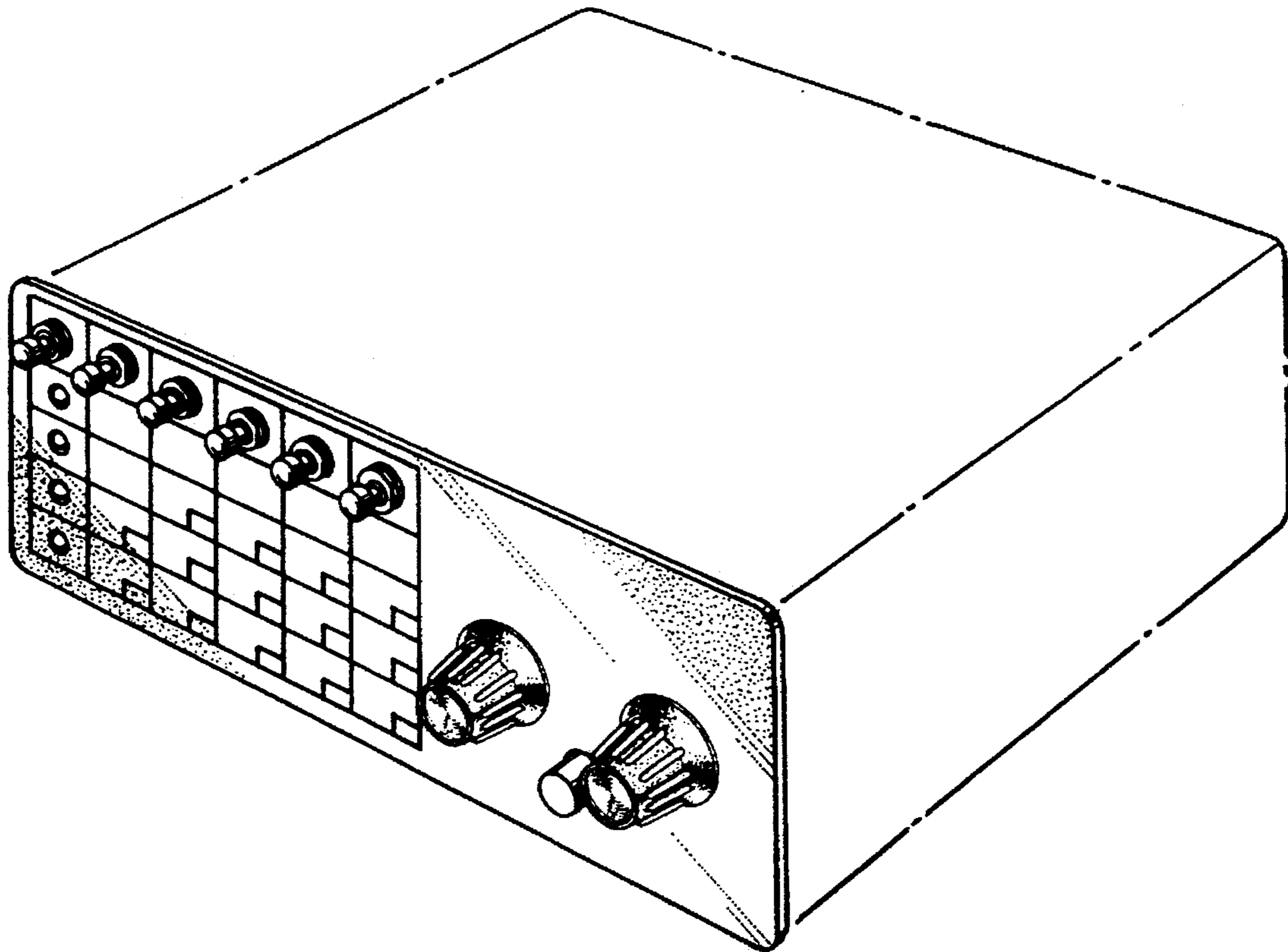
[57] **CLAIM**

The ornamental design for front panel for an amateur radio code keyer, as shown and described.

DESCRIPTION

FIG. 1 is a perspective view of a front panel for an amateur radio code keyer showing our new design; FIG. 2 is a front elevational view thereof; FIG. 3 is a right side elevational view thereof; FIG. 4 is a top plan view thereof; FIG. 5 is a left side elevational view thereof; and, FIG. 6 is a bottom plan view thereof.

1 Claim, 1 Drawing Sheet



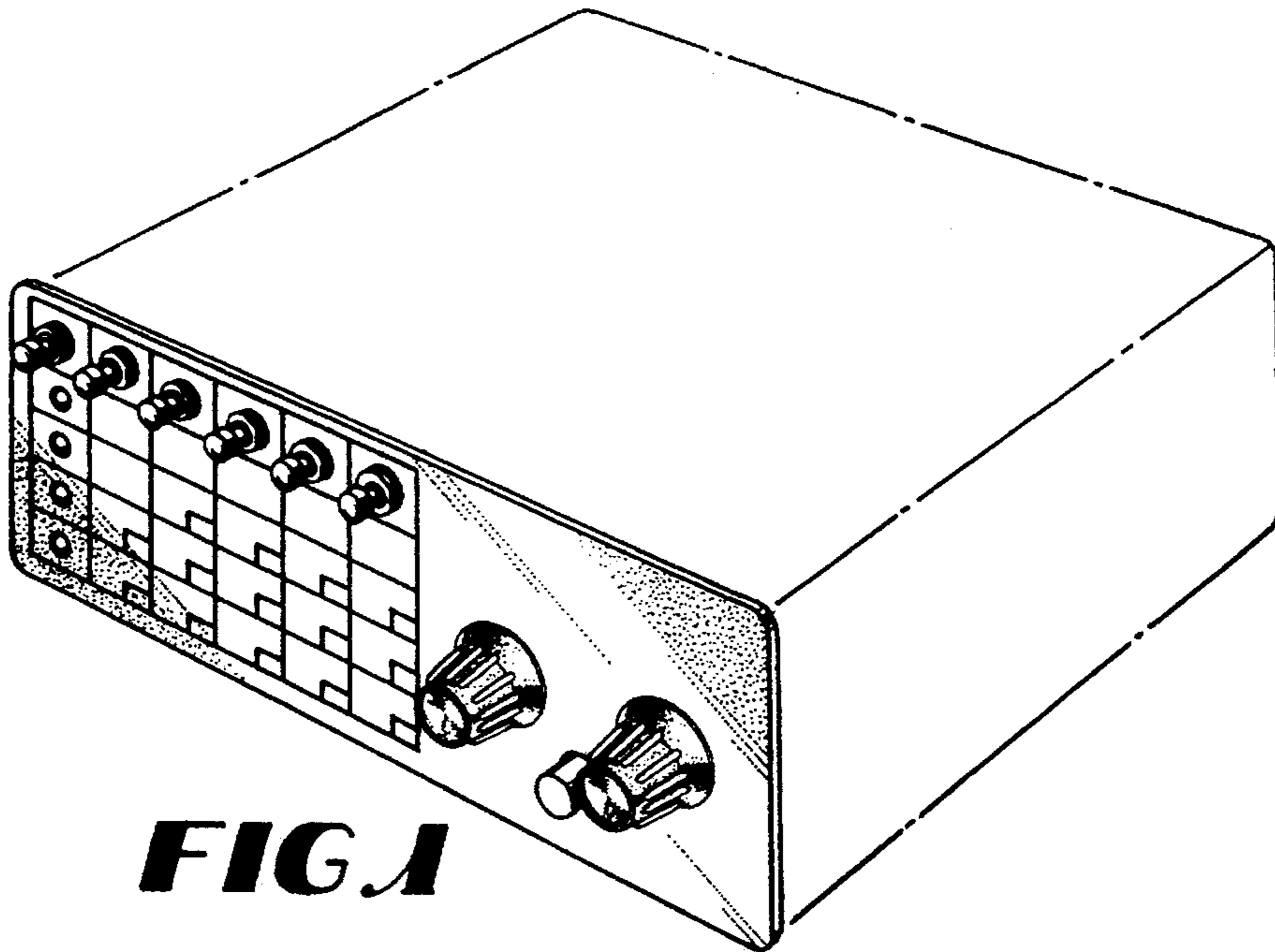


FIG 1

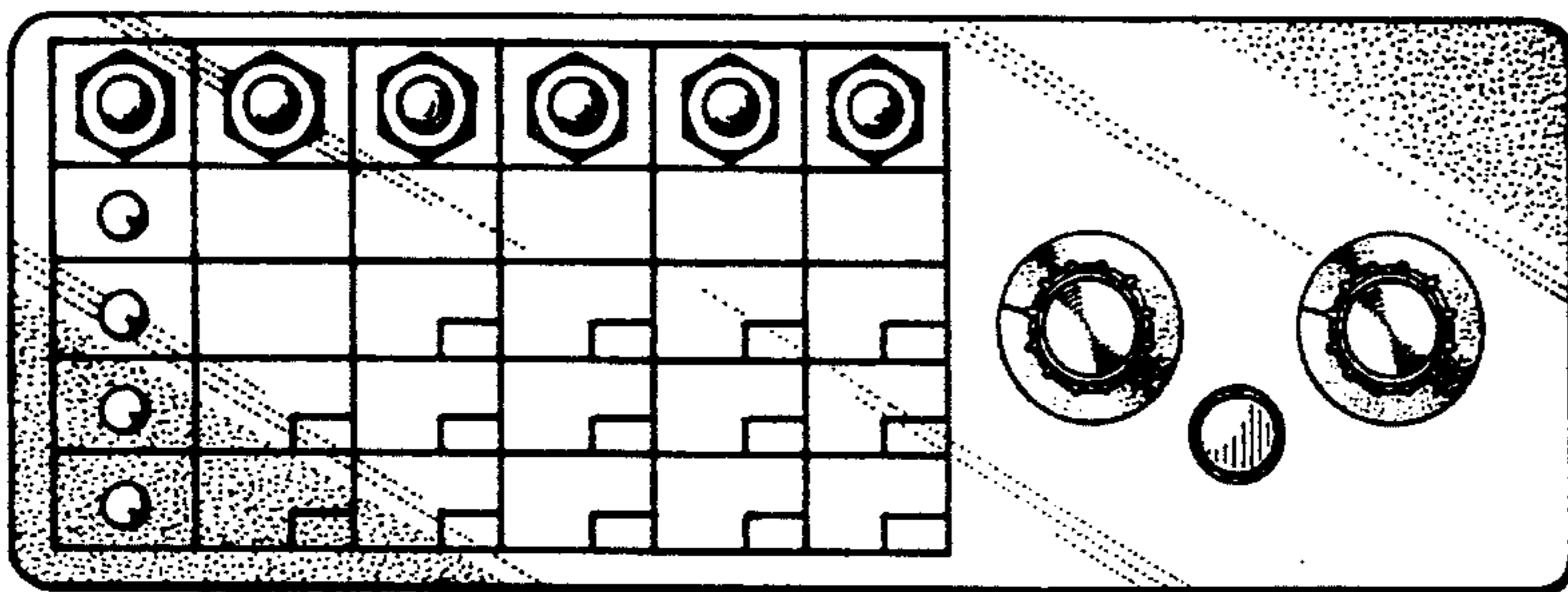


FIG 2

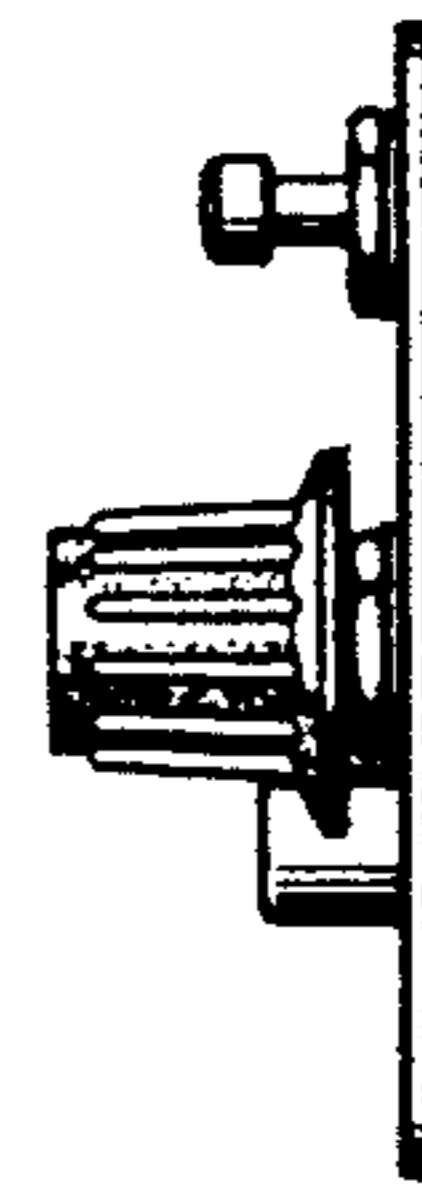


FIG 3

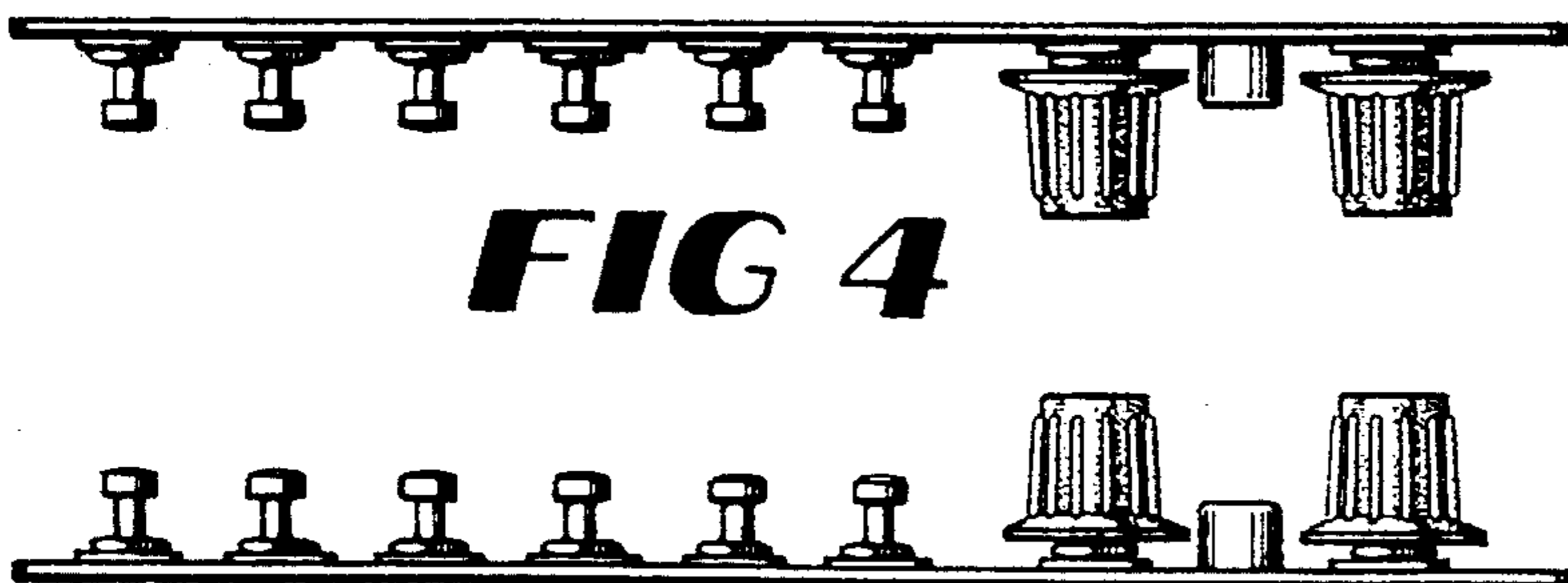


FIG 4

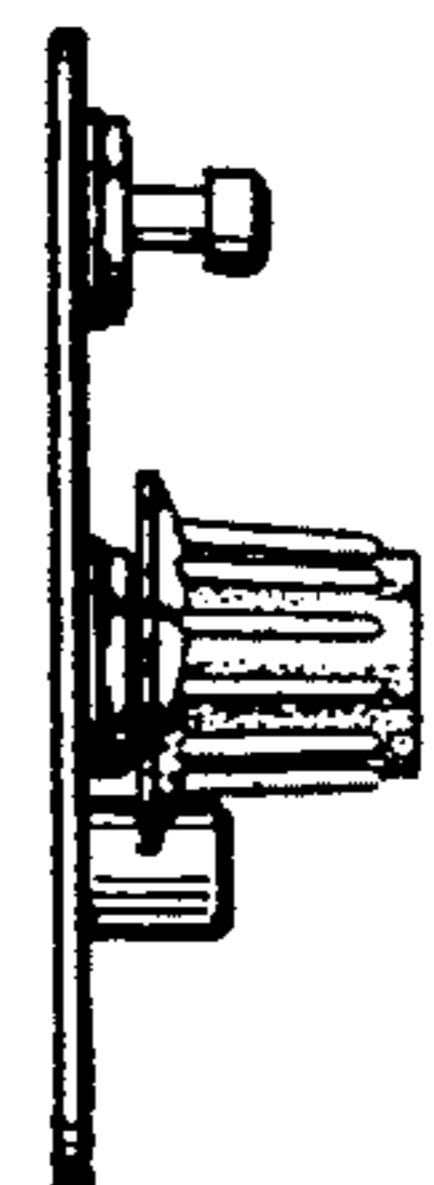


FIG 5

FIG 6