



US00D363721S

United States Patent [19]

Lum et al.

[11] Patent Number: **Des. 363,721**

[45] Date of Patent: ****Oct. 31, 1995**

[54] **COMBINED SPEAKER AND MICROPHONE PERIPHERAL UNIT**

[75] Inventors: **Michael W. Lum**, Tustin, Calif.;
Jeffrey P. McAteer, Fishers, Ind.;
Robert B. Wills, Redondo Beach, Calif.

[73] Assignee: **AT&T IPM Corp.**, Coral Gables, Fla.

[**] Term: **14 Years**

[21] Appl. No.: **28,536**

[22] Filed: **Sep. 19, 1994**

[52] U.S. Cl. **D14/226**; D14/214

[58] Field of Search D14/127, 204-206,
D14/209-216, 221-222, 225-229, 299;
181/158, 198, 199; 379/430, 431, 444;
381/24, 88, 90-91, 159, 168-169

[56] **References Cited**

U.S. PATENT DOCUMENTS

D. 244,696	6/1977	Ripple	D14/213
D. 248,854	8/1978	Ripple	D14/213
D. 322,608	1/1993	Masagaki	D14/226

D. 343,676	1/1994	Lim	D14/214 X
4,580,653	4/1986	Owens	181/145 X
5,291,559	3/1994	Freadman	D14/204 X

Primary Examiner—Ted Shooman
Assistant Examiner—Nanda Bondade
Attorney, Agent, or Firm—Thomas Stafford

[57] **CLAIM**

The ornamental design of a combined speaker and microphone peripheral unit, as shown and described.

DESCRIPTION

FIG. 1 is a front, top and right perspective view of a combined speaker and microphone peripheral unit showing our new design;
FIG. 2 is a rear, top and left perspective view thereof;
FIG. 3 is a top plan view thereof;
FIG. 4 is a bottom plan view thereof;
FIG. 5 is a front elevation view thereof;
FIG. 6 is a rear elevation view thereof;
FIG. 7 is a right side elevation view thereof; and,
FIG. 8 is a left side elevation view thereof.

1 Claim, 4 Drawing Sheets

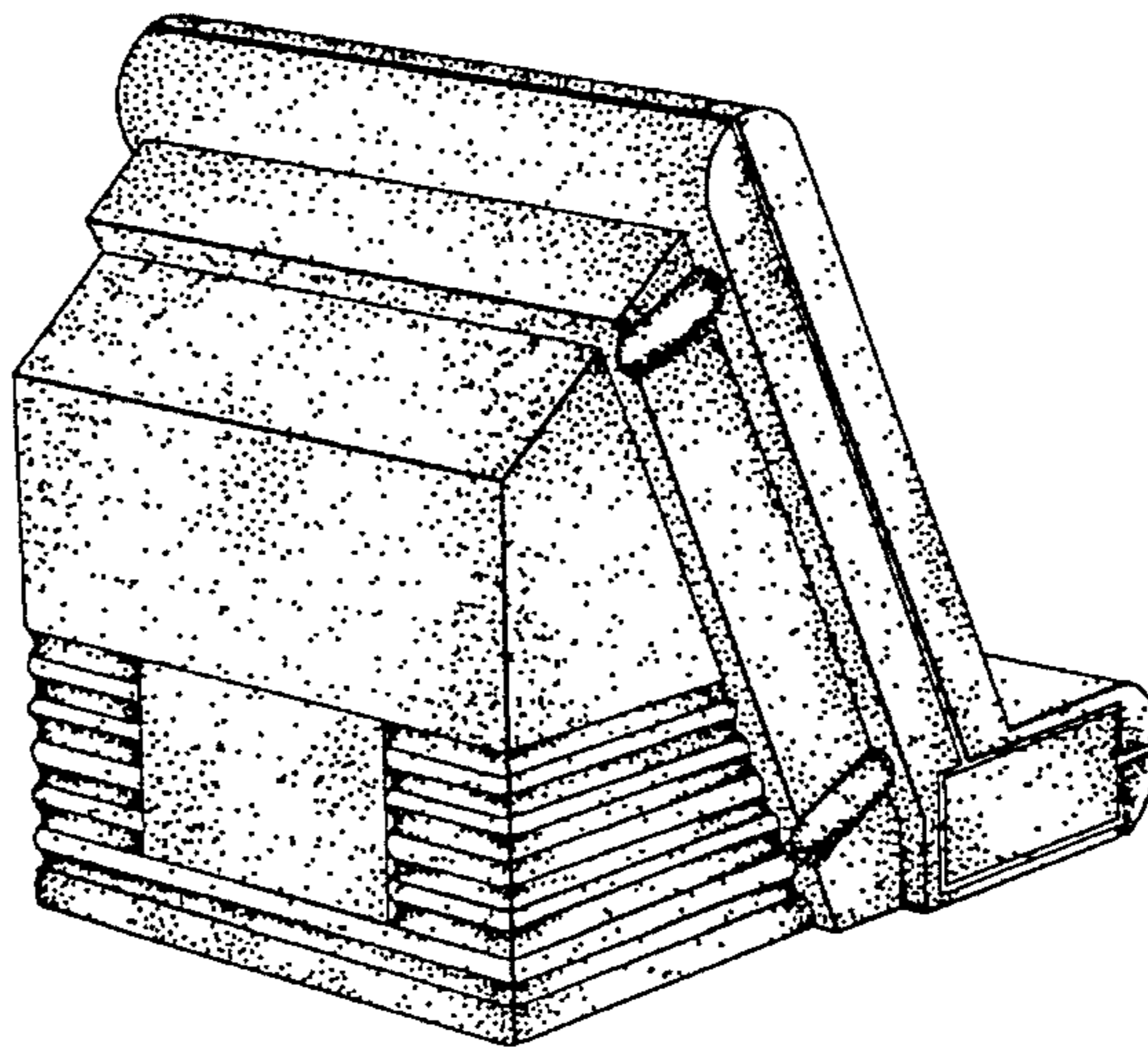
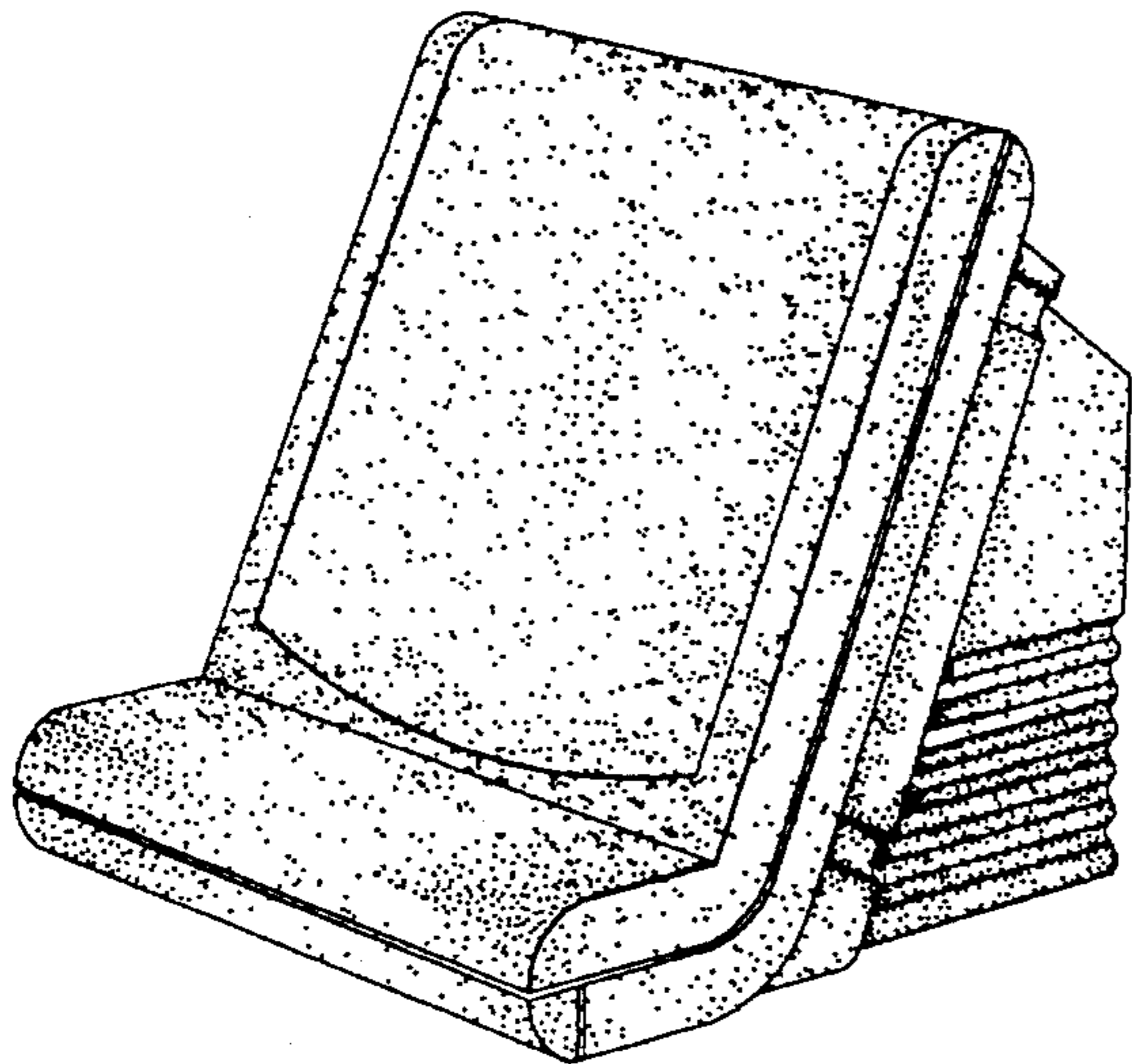


FIG. 1

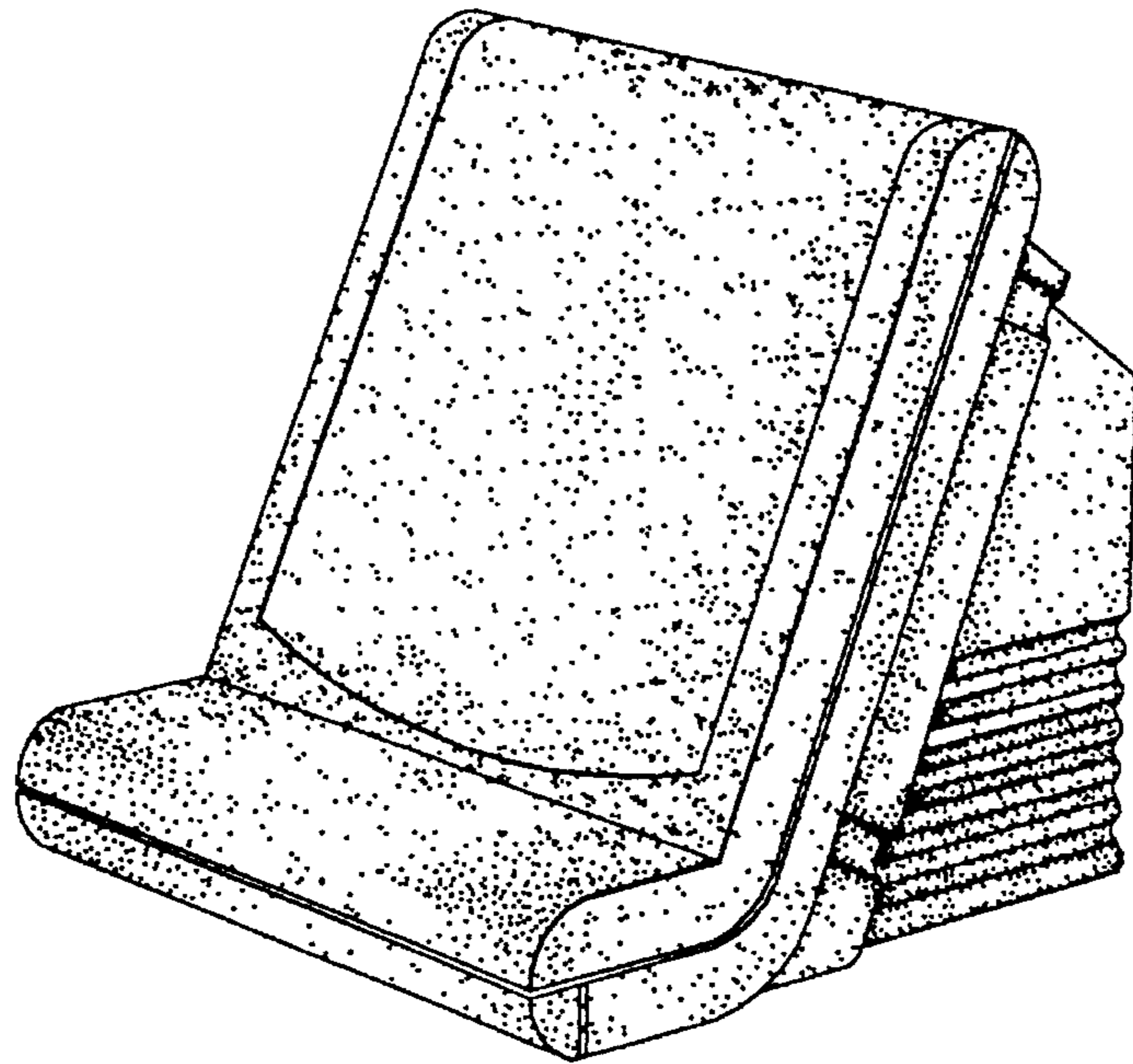


FIG. 2

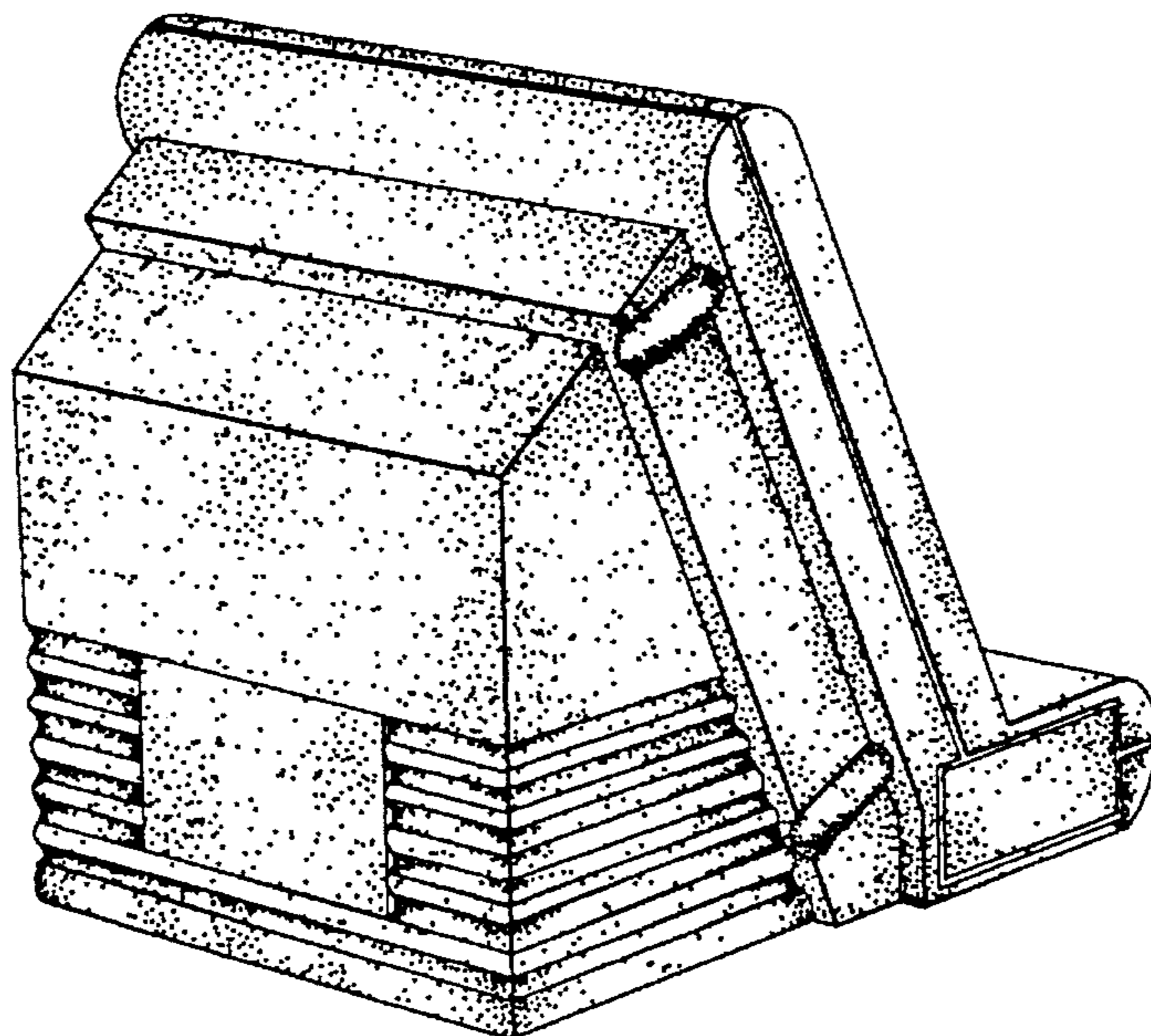


FIG. 3

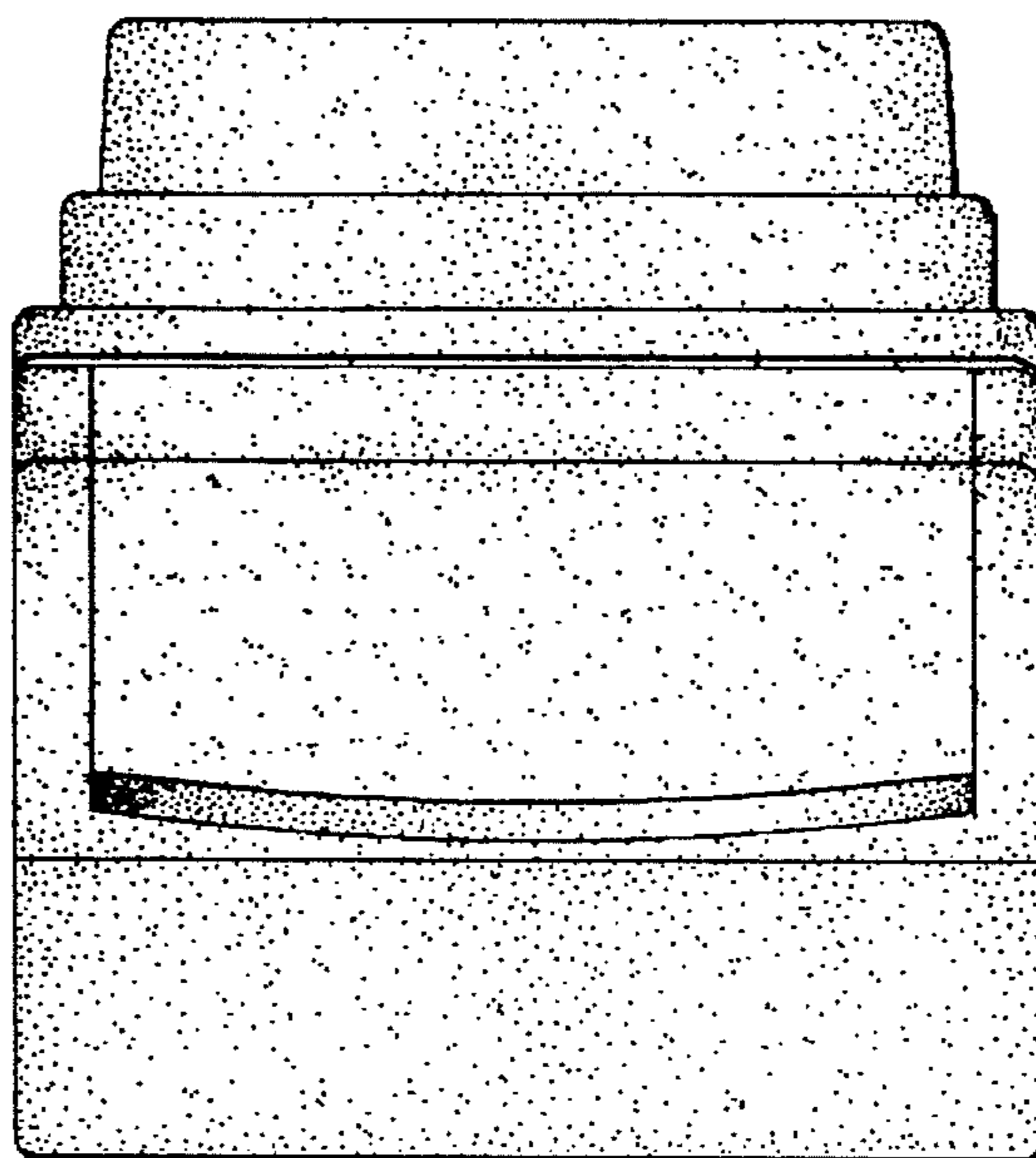


FIG. 4

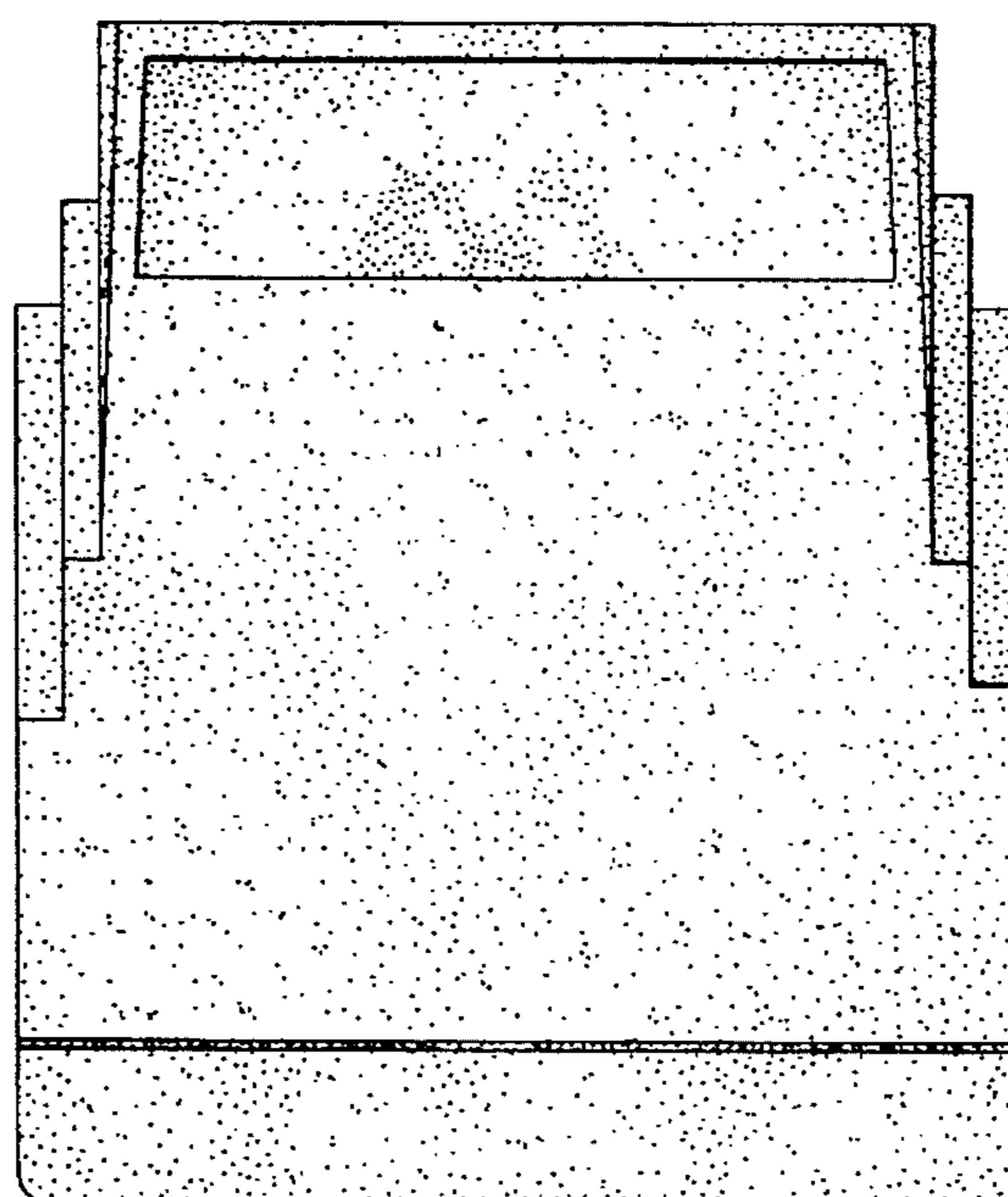


FIG. 5

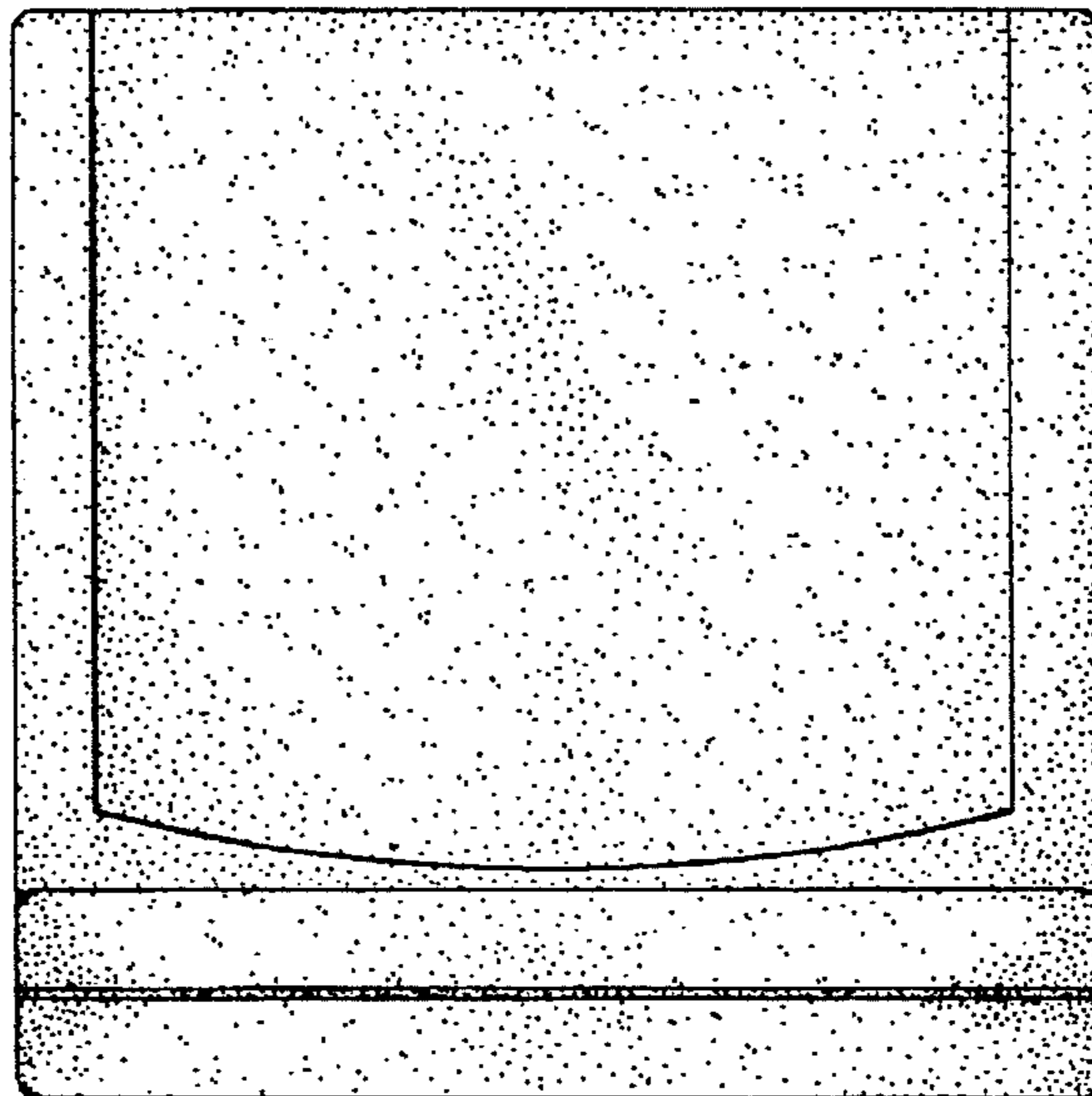


FIG. 6

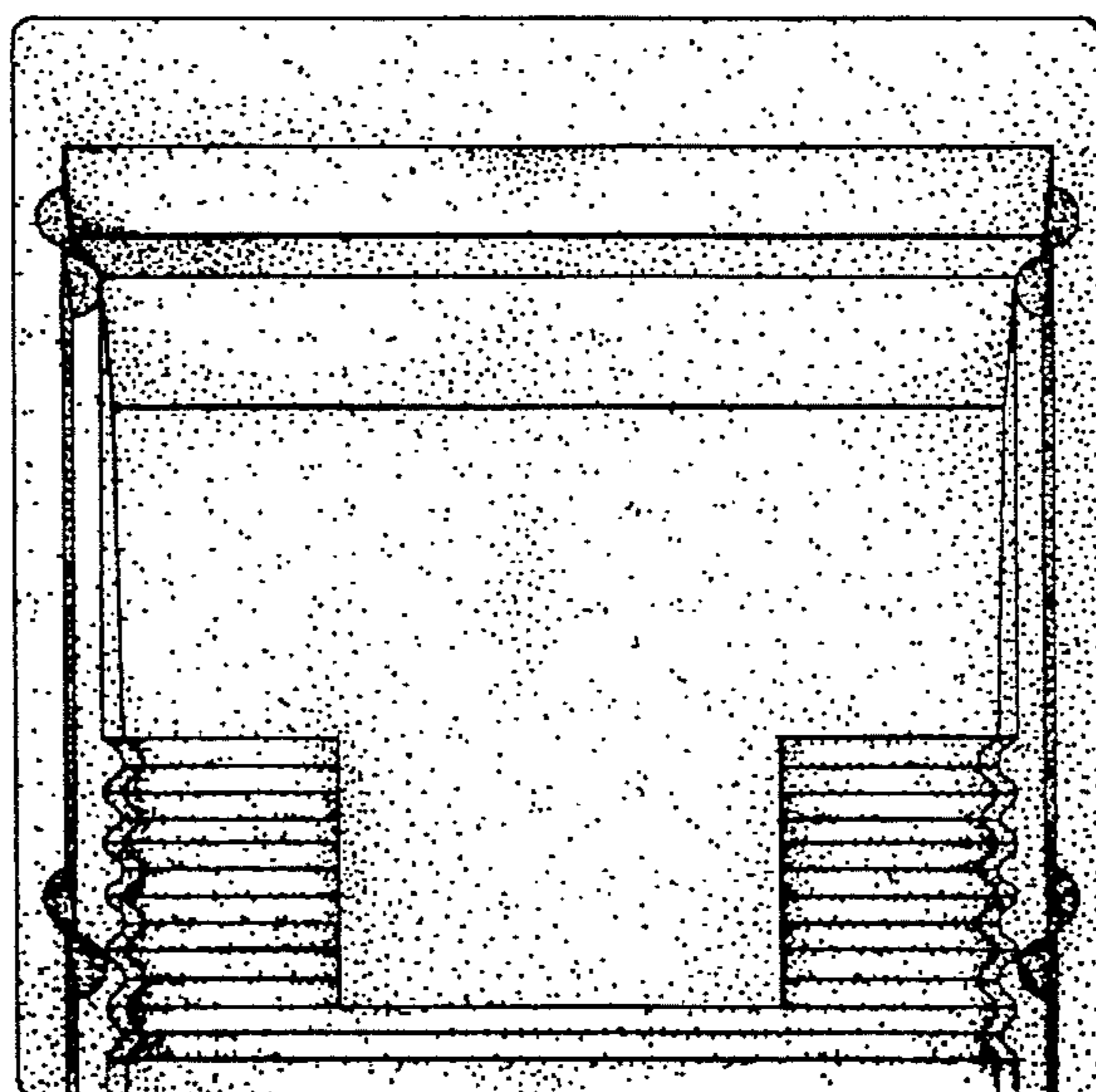


FIG. 7

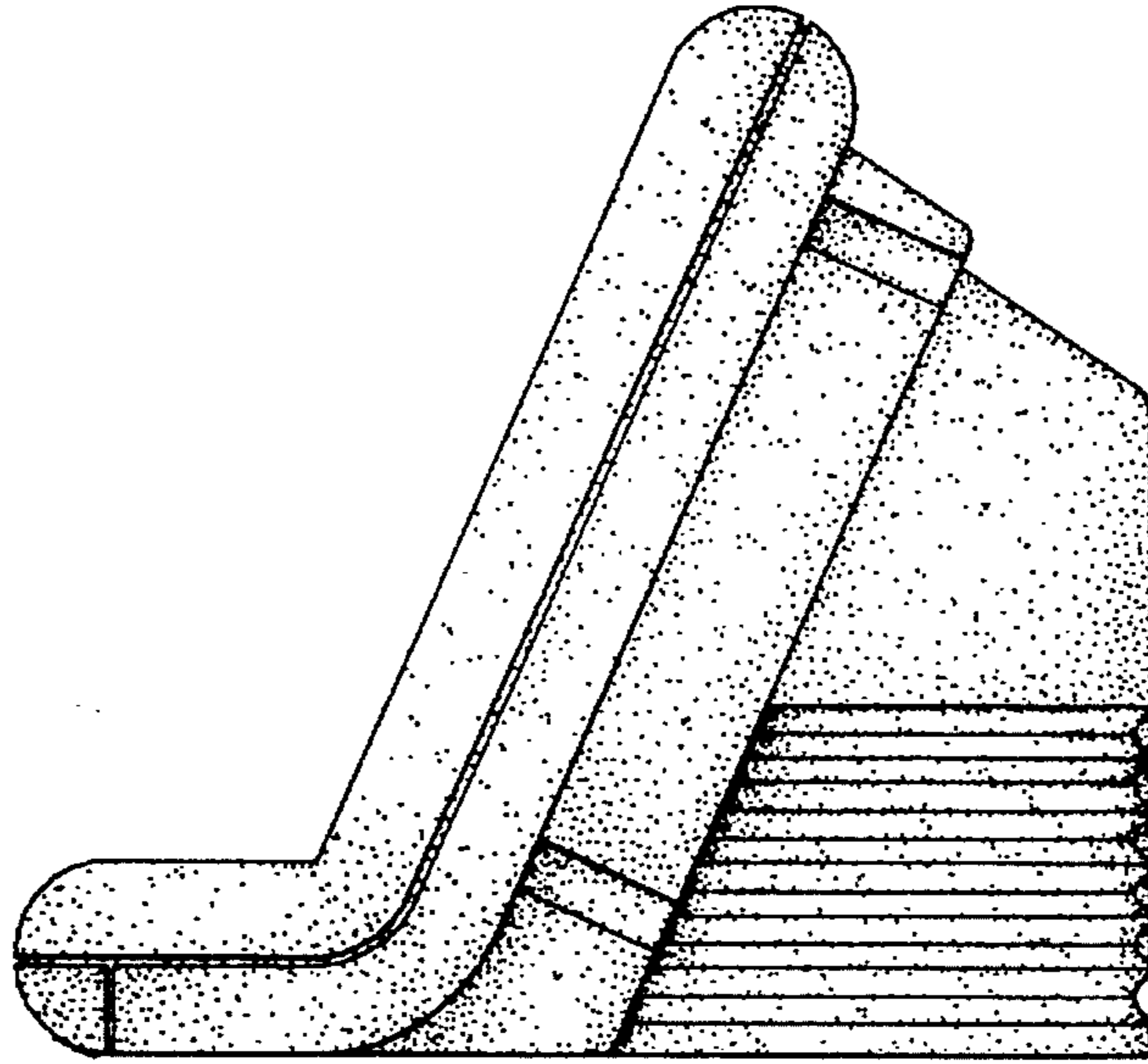


FIG. 8

