



US00D363713S

United States Patent [19]

Kanari et al.

[11] Patent Number: **Des. 363,713**

[45] Date of Patent: ****Oct. 31, 1995**

[54] **FACSIMILE MACHINE**

[75] Inventors: **Masumi Kanari; Takeshi Kodera,**
both of Nara, Japan

[73] Assignee: **Sharp Kabushiki Kaisha,** Osaka, Japan

[**] Term: **14 Years**

[21] Appl. No.: **31,256**

[22] Filed: **Nov. 21, 1994**

[30] **Foreign Application Priority Data**

May 19, 1994 [JP] Japan 6-14574

[52] **U.S. Cl.** **D14/118**

[58] **Field of Search** D14/118, 124,
D14/299; 358/400, 401

- D. 355,177 2/1995 Sawada et al. D14/118
- D. 355,178 2/1995 Sawada et al. D14/118
- D. 355,179 2/1995 Sawada et al. D14/118
- D. 355,905 2/1995 Takeuchi D14/118
- D. 355,906 2/1995 Yoshihara et al. D14/118

OTHER PUBLICATIONS

Soft Warehouse, 1989-1990, Item #UX-350.
Radio Shack, 1990, p. 4.
Sharp, Jul. 1990, Model FO-5210.

Primary Examiner—Prabhakar G. Deshmukh
Attorney, Agent, or Firm—Nixon & Vanderhye

[57] **CLAIM**

The ornamental design for a facsimile machine, as shown and described.

DESCRIPTION

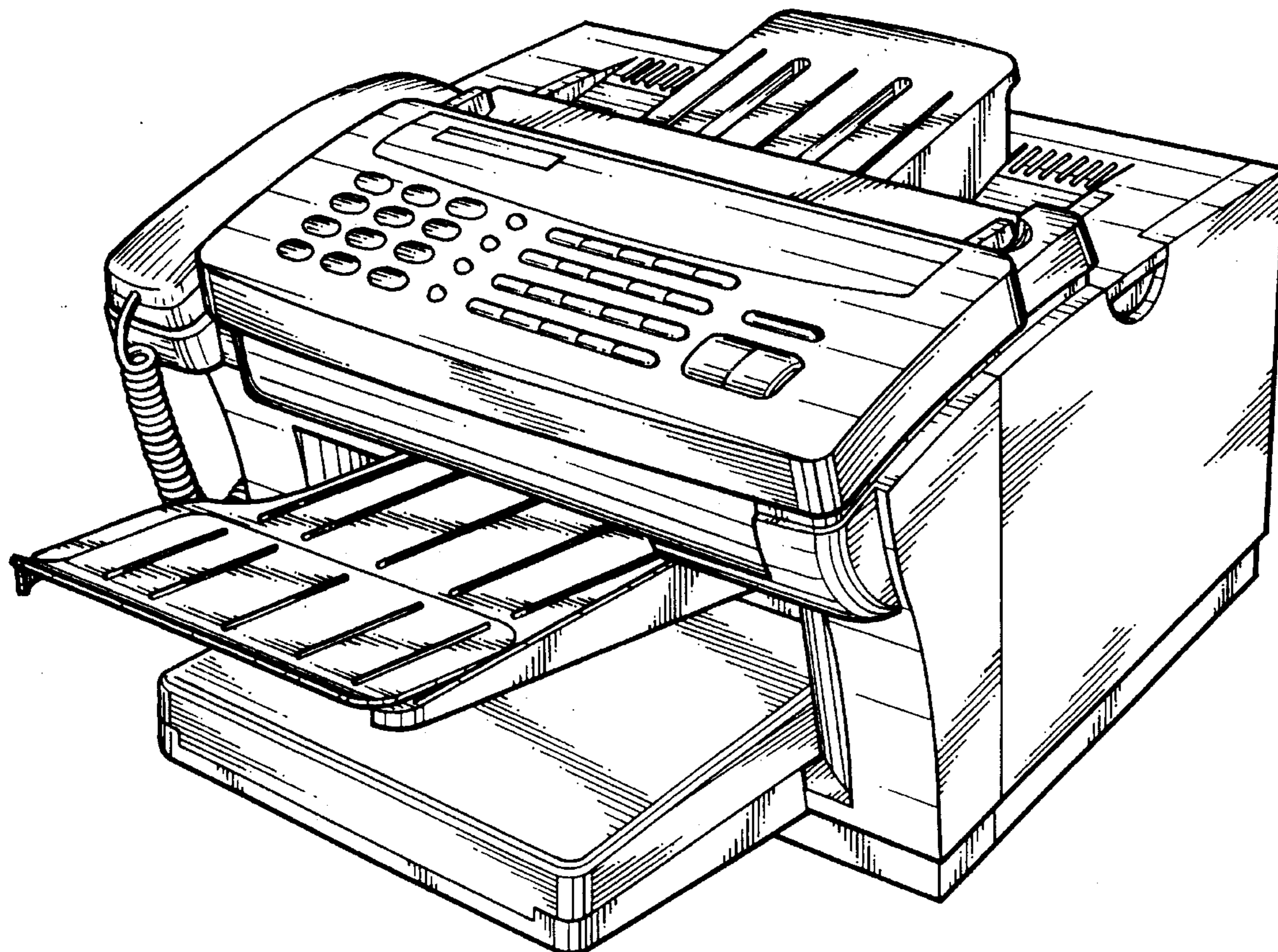
FIG. 1 is a top, front and right side perspective view of a facsimile machine according to our design;
FIG. 2 is a top plan view thereof;
FIG. 3 is a front elevational view thereof;
FIG. 4 is a rear elevational view thereof;
FIG. 5 is a right side elevational view thereof;
FIG. 6 is a left side elevational view thereof; and,
FIG. 7 is a bottom plan view thereof.

1 Claim, 5 Drawing Sheets

[56] **References Cited**

U.S. PATENT DOCUMENTS

- D. 331,756 12/1992 Sawada et al. D14/118
- D. 331,923 12/1992 Hiroki et al. D14/118
- D. 331,924 12/1992 Sawada et al. D14/118
- D. 331,925 12/1992 Sawada et al. D14/118
- D. 332,094 12/1992 Sawada et al. D14/118
- D. 332,606 1/1993 Tanizawa et al. D14/118
- D. 334,923 4/1993 Dodge et al. D14/118
- D. 339,333 9/1993 Sawada et al. D14/118
- D. 345,153 3/1994 Hiroki et al. D14/118



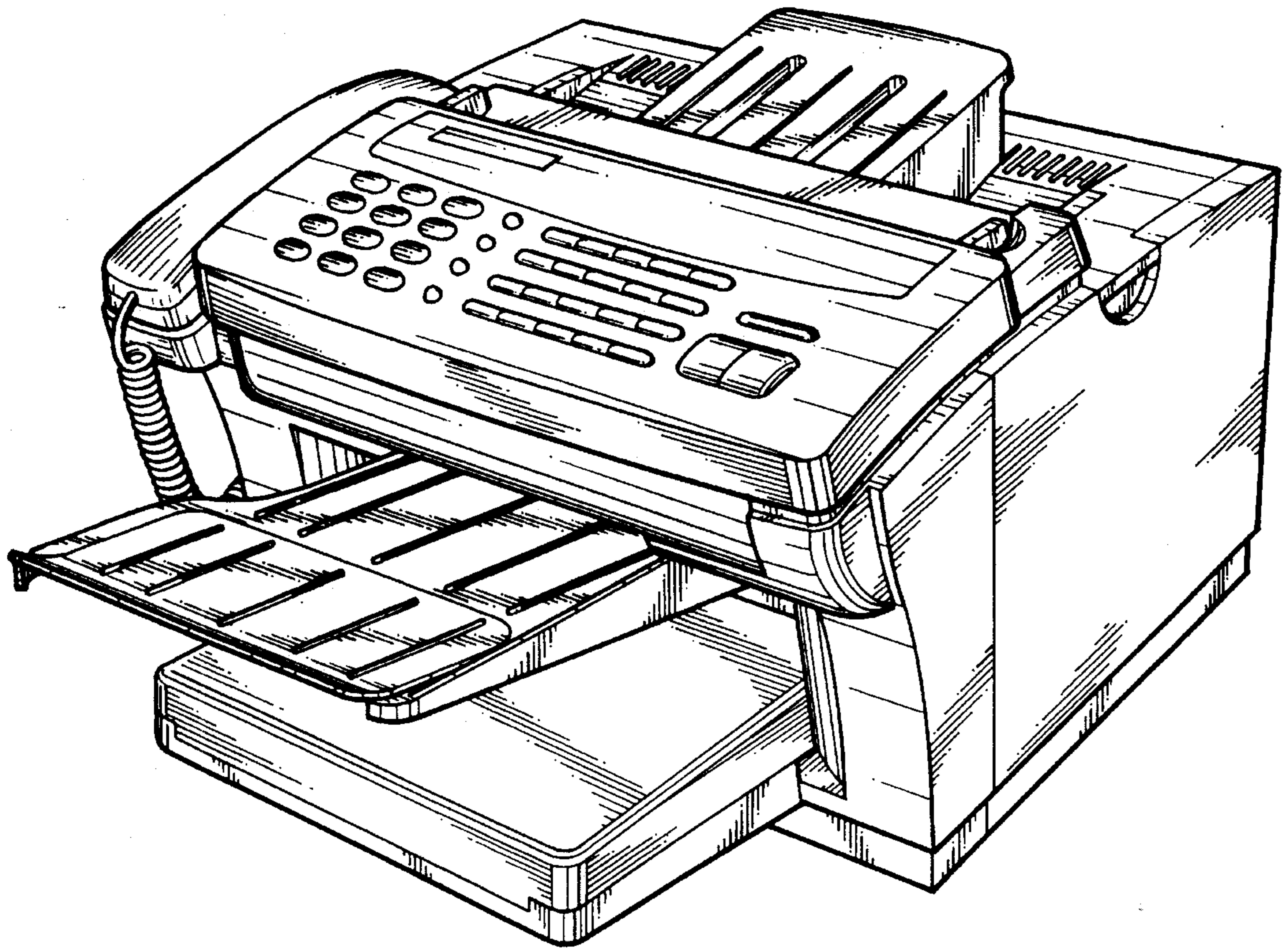


FIG. 1

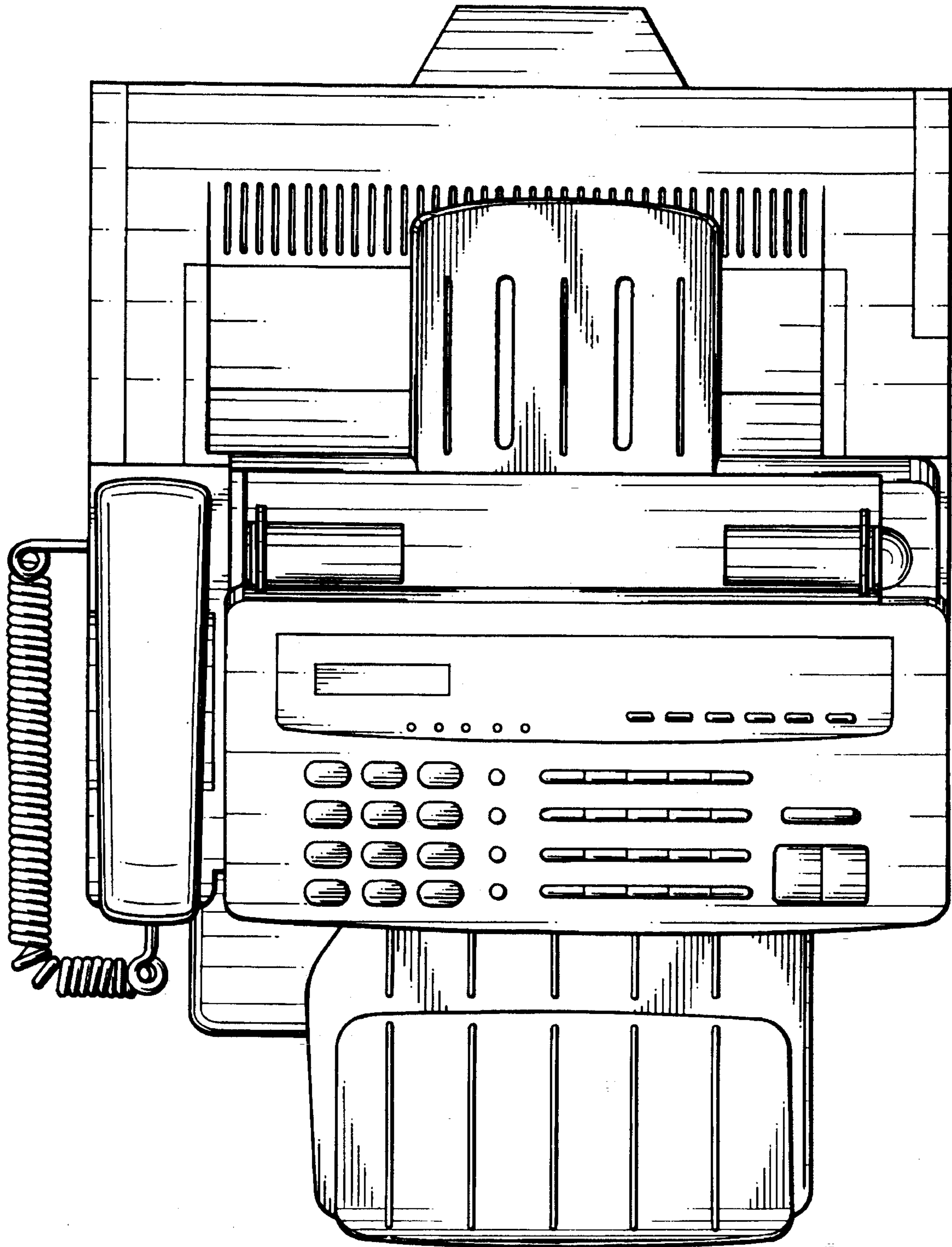


FIG. 2

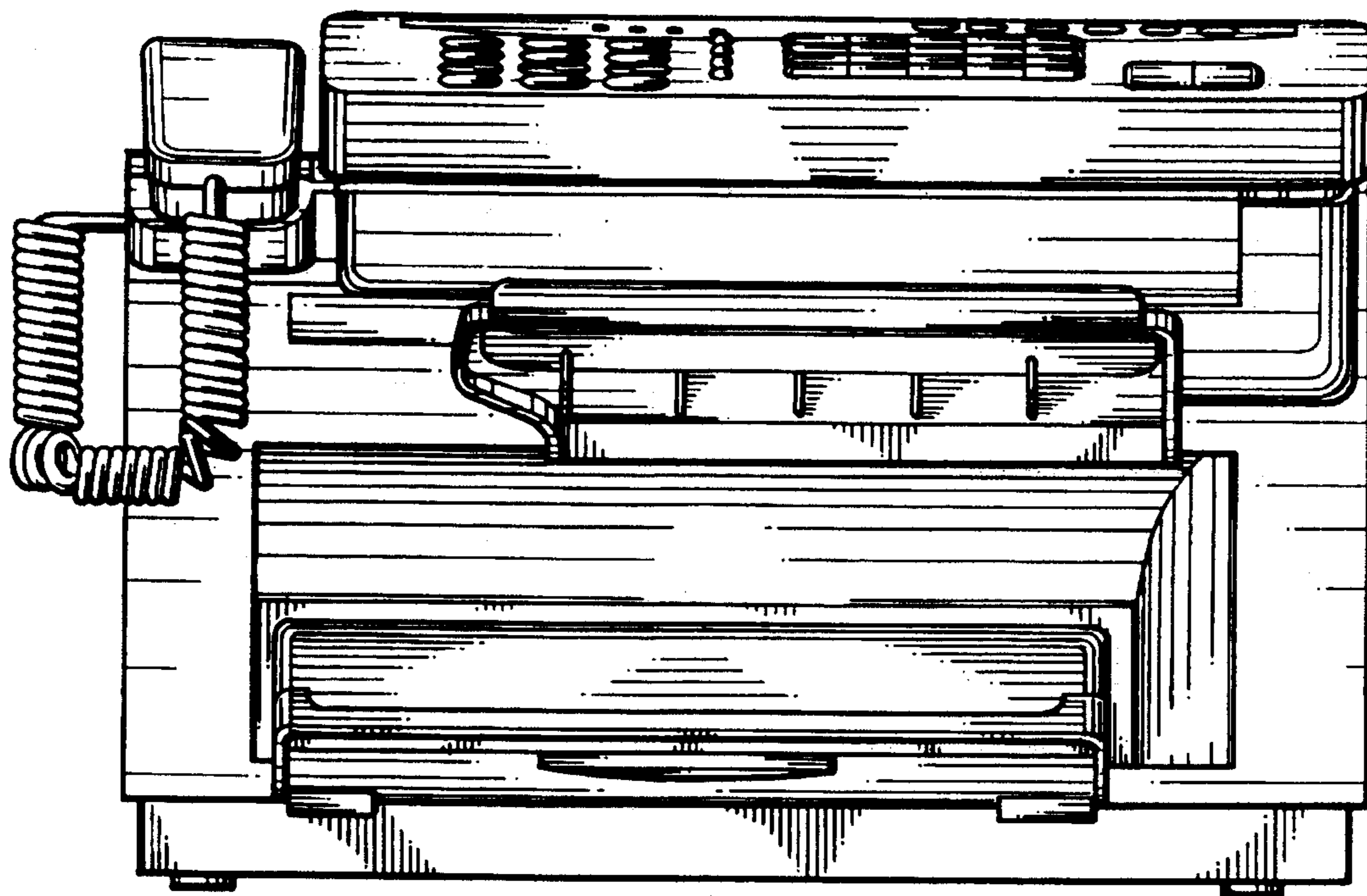


FIG. 3

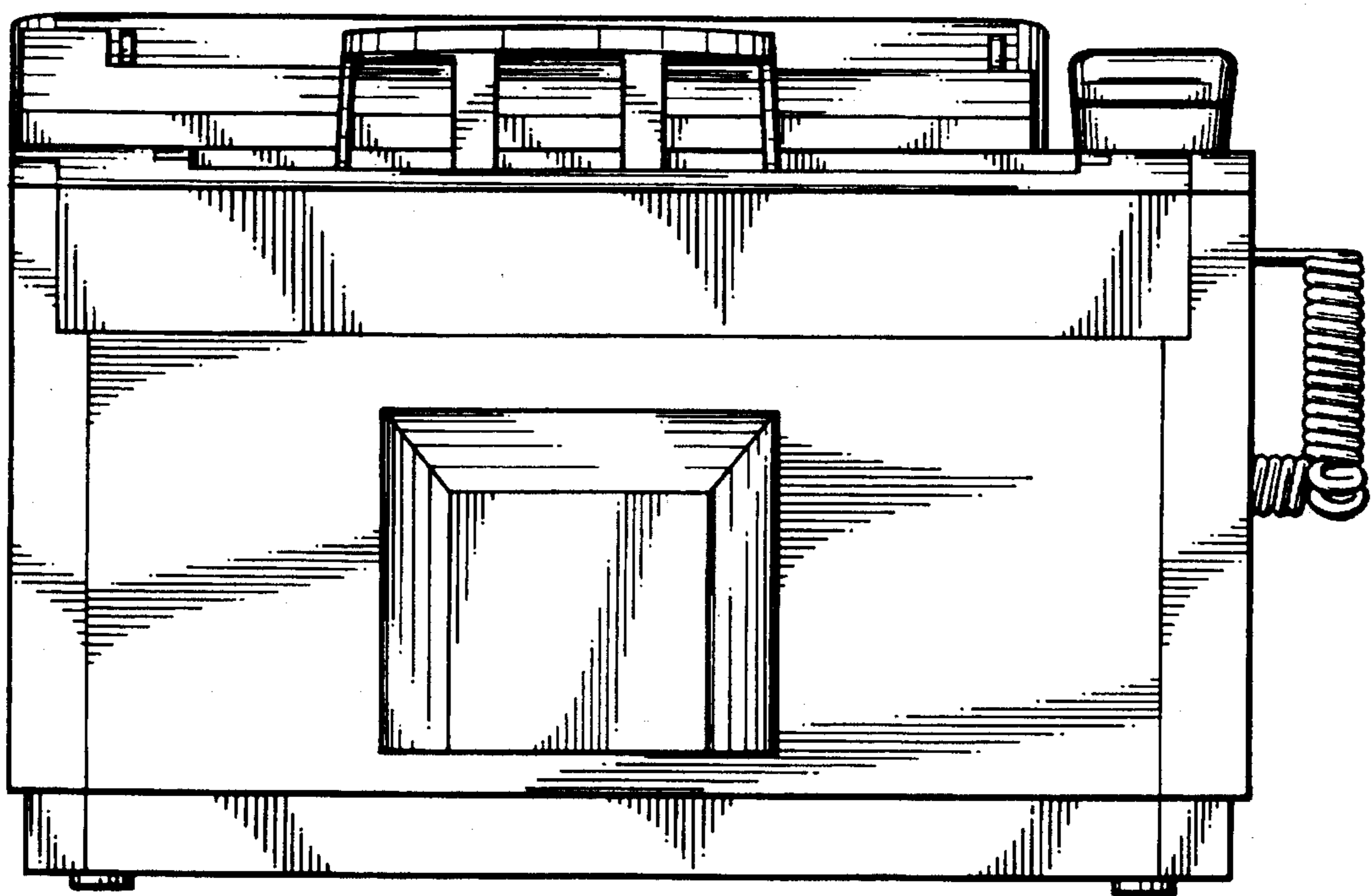


FIG. 4

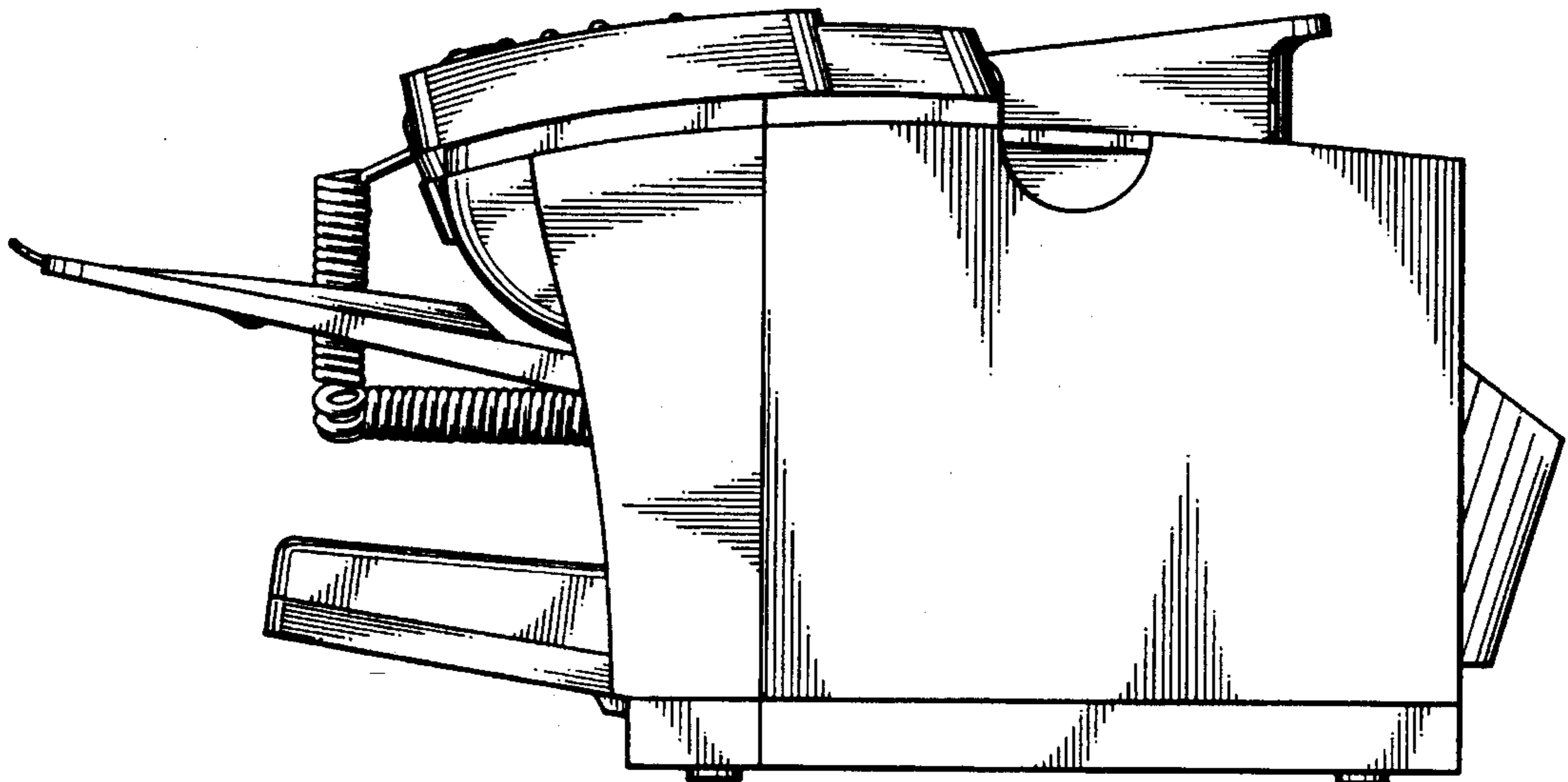


FIG. 5

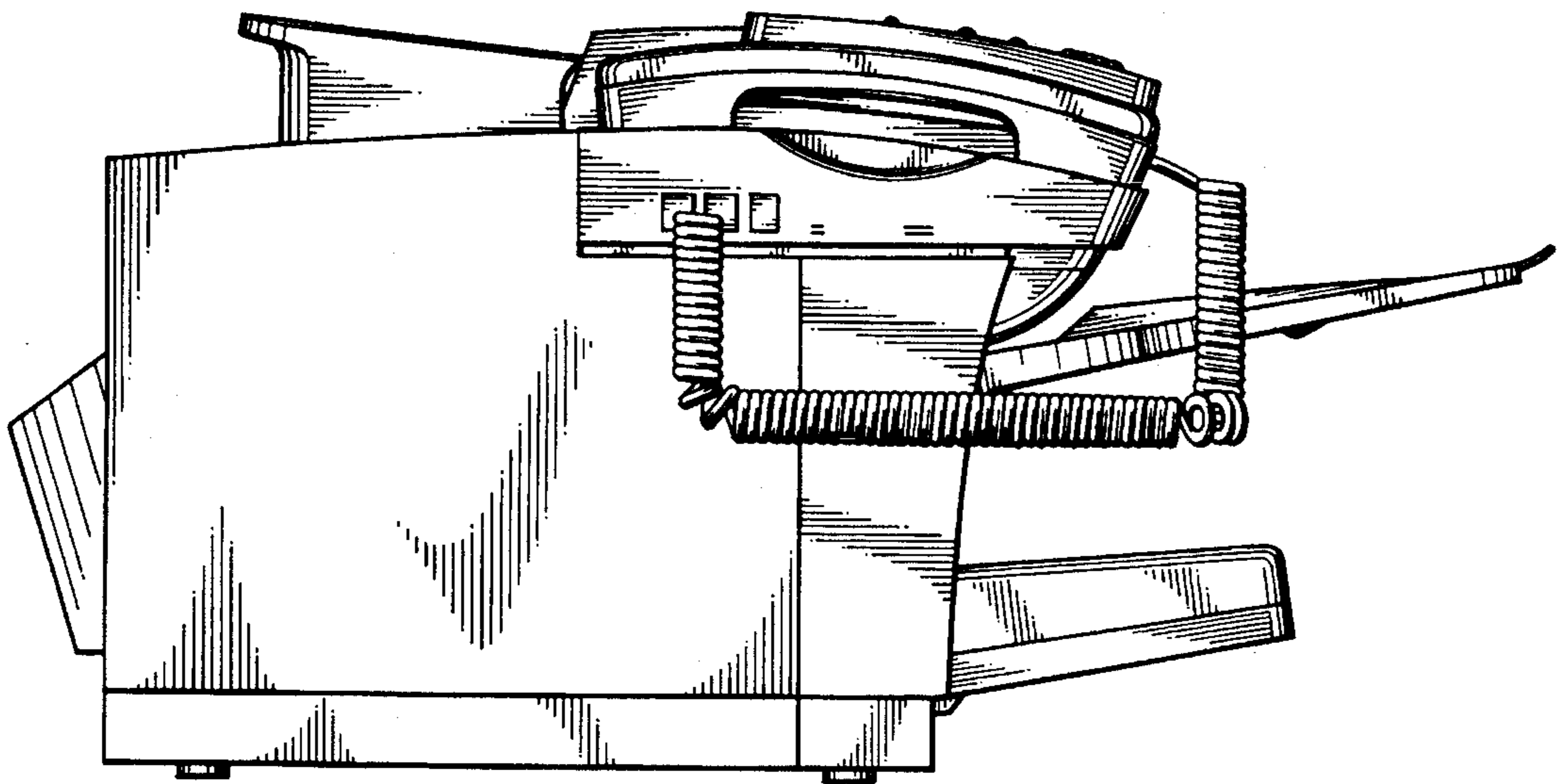


FIG. 6

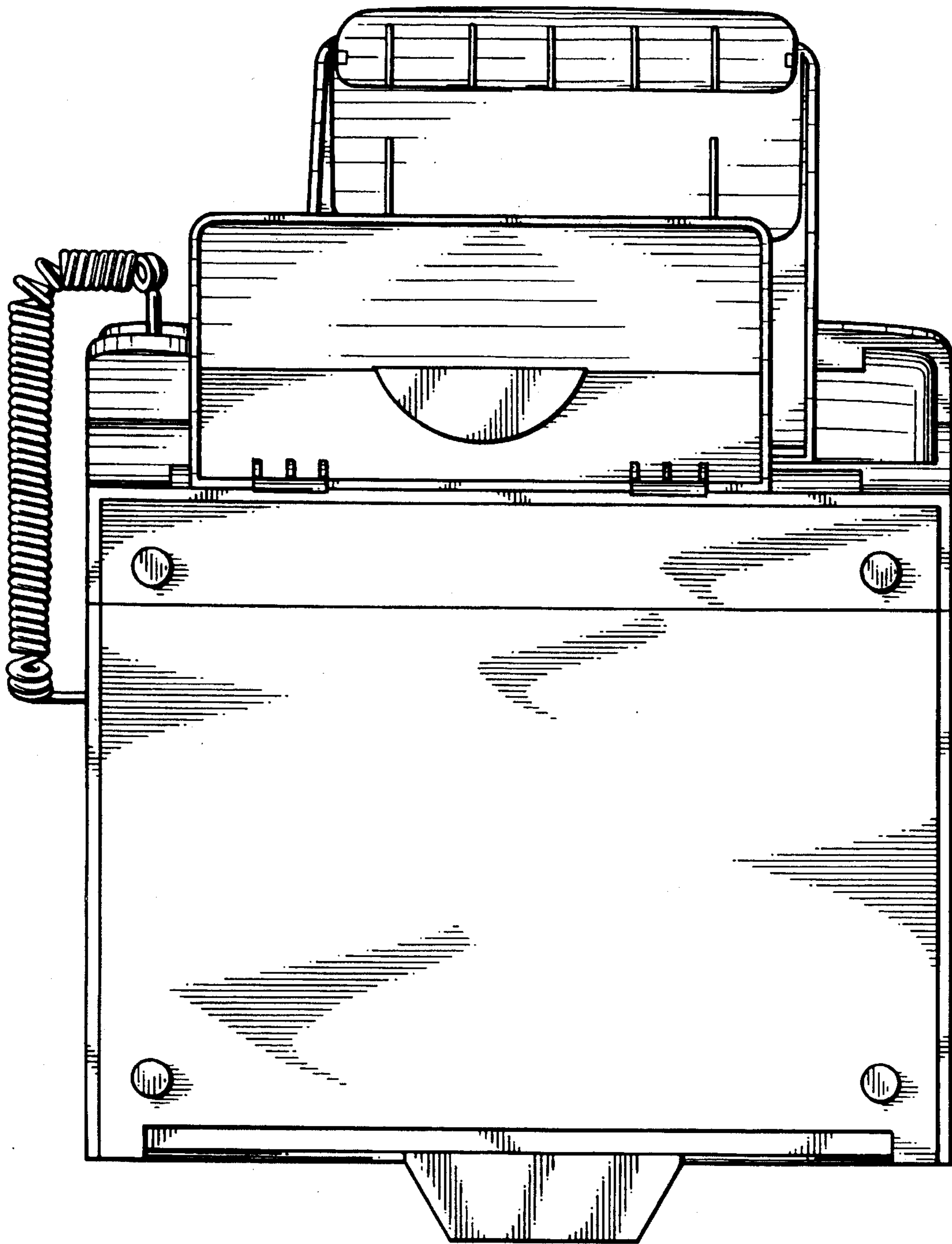


FIG. 7