



US00D363711S

# United States Patent [19] Happo

[11] Patent Number: **Des. 363,711**  
[45] Date of Patent: **\*\*Oct. 31, 1995**

[54] **OPTICAL DISK CARTRIDGE**

D. 328,457 8/1992 Matsuzaka ..... D14/114  
D. 346,596 5/1994 Kajita et al. .... D14/114

[75] Inventor: **Masahiko Happo**, Tokyo, Japan

### FOREIGN PATENT DOCUMENTS

[73] Assignee: **Kabushiki Kaisha Toshiba**, Kawasaki, Japan

702660 4/1987 Japan .  
888649 1/1994 Japan .

[\*\*] Term: **14 Years**

*Primary Examiner*—Melanie H. Tung  
*Attorney, Agent, or Firm*—Oblon, Spivak, McClelland, Maier & Neustadt

[21] Appl. No.: **23,644**

[22] Filed: **May 27, 1994**

### [57] CLAIM

### [30] Foreign Application Priority Data

Nov. 30, 1993 [JP] Japan ..... 5-36147

The ornamental design for an optical disk cartridge, as shown and described.

[52] U.S. Cl. .... **D14/114**

### DESCRIPTION

[58] Field of Search ..... D6/626-627; D14/100, D14/107, 114; 360/60, 130, 132-133, 135, 97.01-99.12; 206/312, 444, 309-310, 45.23, 472; 369/291, 273, 77.2

FIG. 1 is a front, bottom and right side perspective view of an optical disk cartridge, showing my new design;  
FIG. 2 is a front elevational view thereof;  
FIG. 3 is a top plan view thereof;  
FIG. 4 is a left side elevational view thereof;  
FIG. 5 is a right side elevational view thereof;  
FIG. 6 is a rear elevational view thereof; and,  
FIG. 7 is a bottom plan view thereof.

### [56] References Cited

#### U.S. PATENT DOCUMENTS

D. 297,938 10/1988 Hara ..... D14/114  
D. 311,182 10/1990 Nash et al. .... D14/114  
D. 315,900 4/1991 Iwata ..... D14/114

**1 Claim, 2 Drawing Sheets**

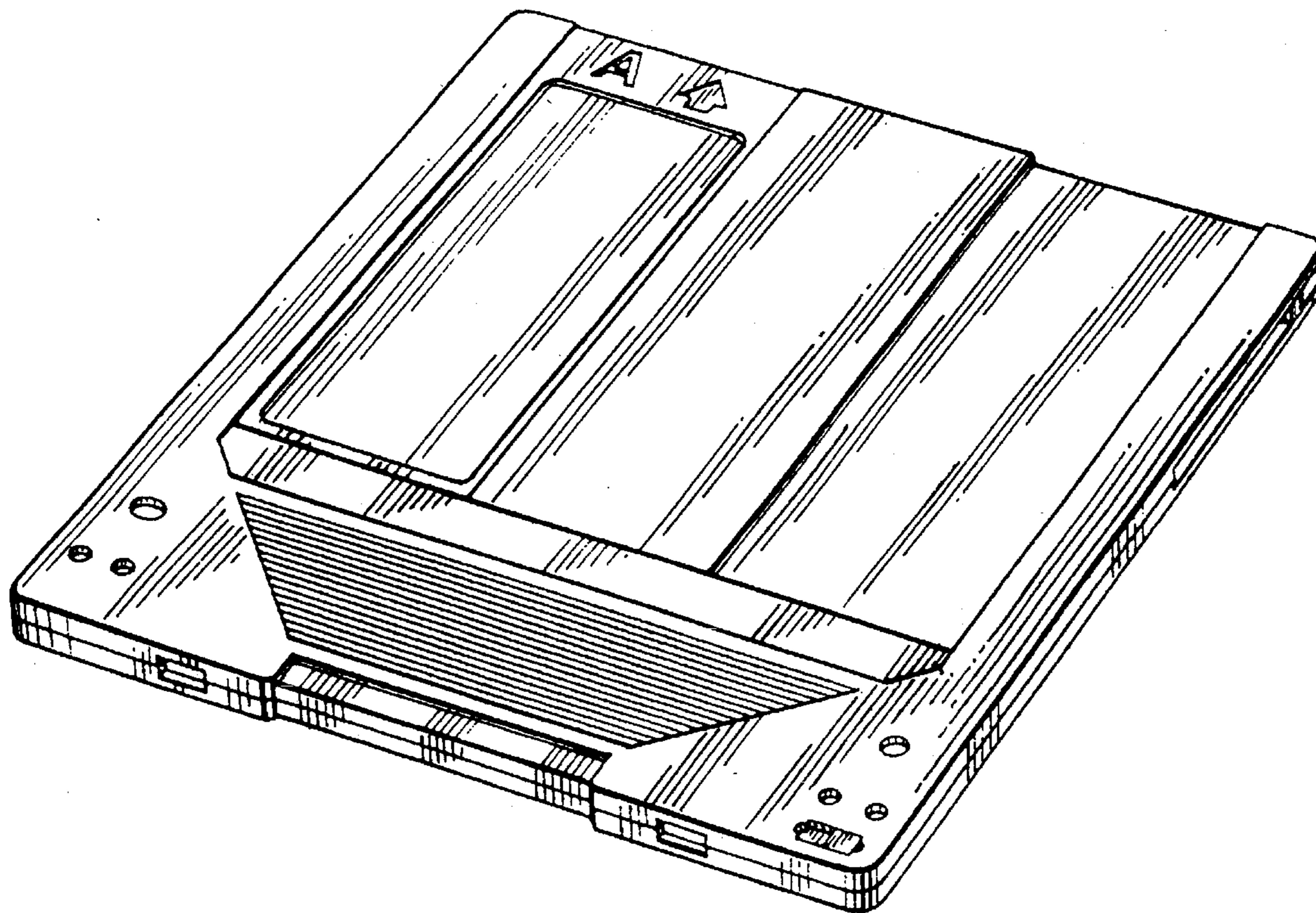


FIG. 1

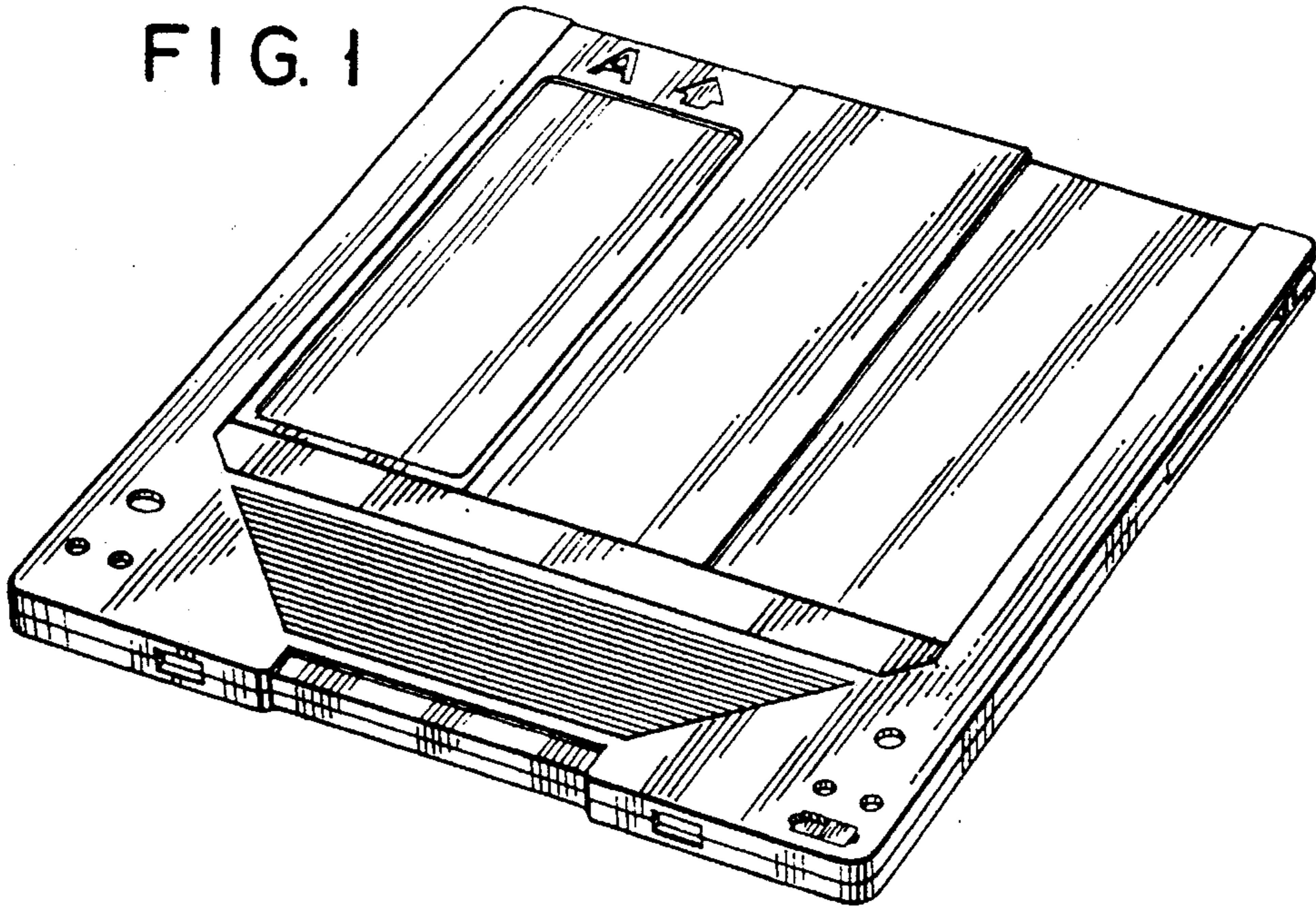


FIG. 3



FIG. 4



FIG. 2

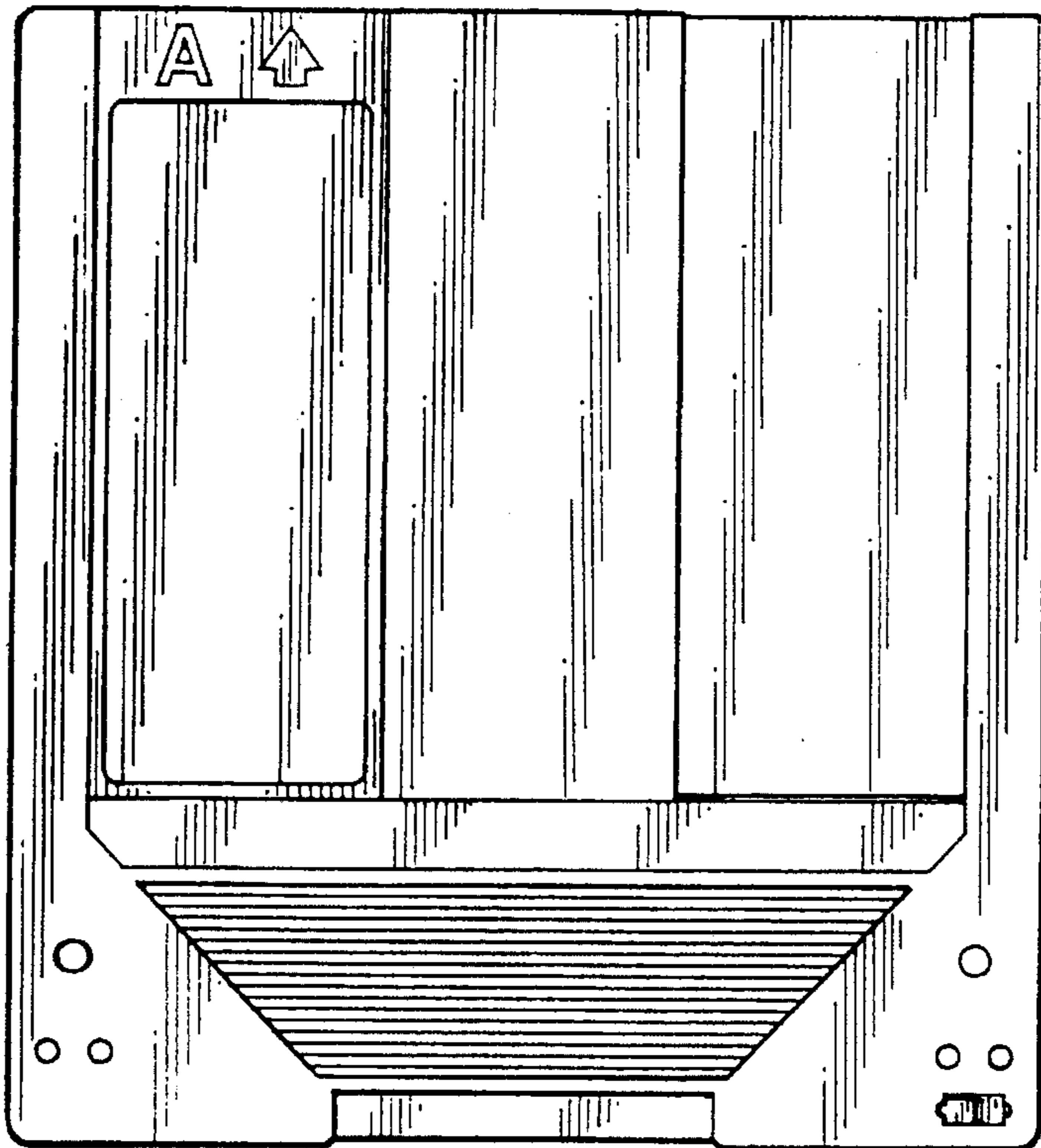


FIG. 5



FIG. 6

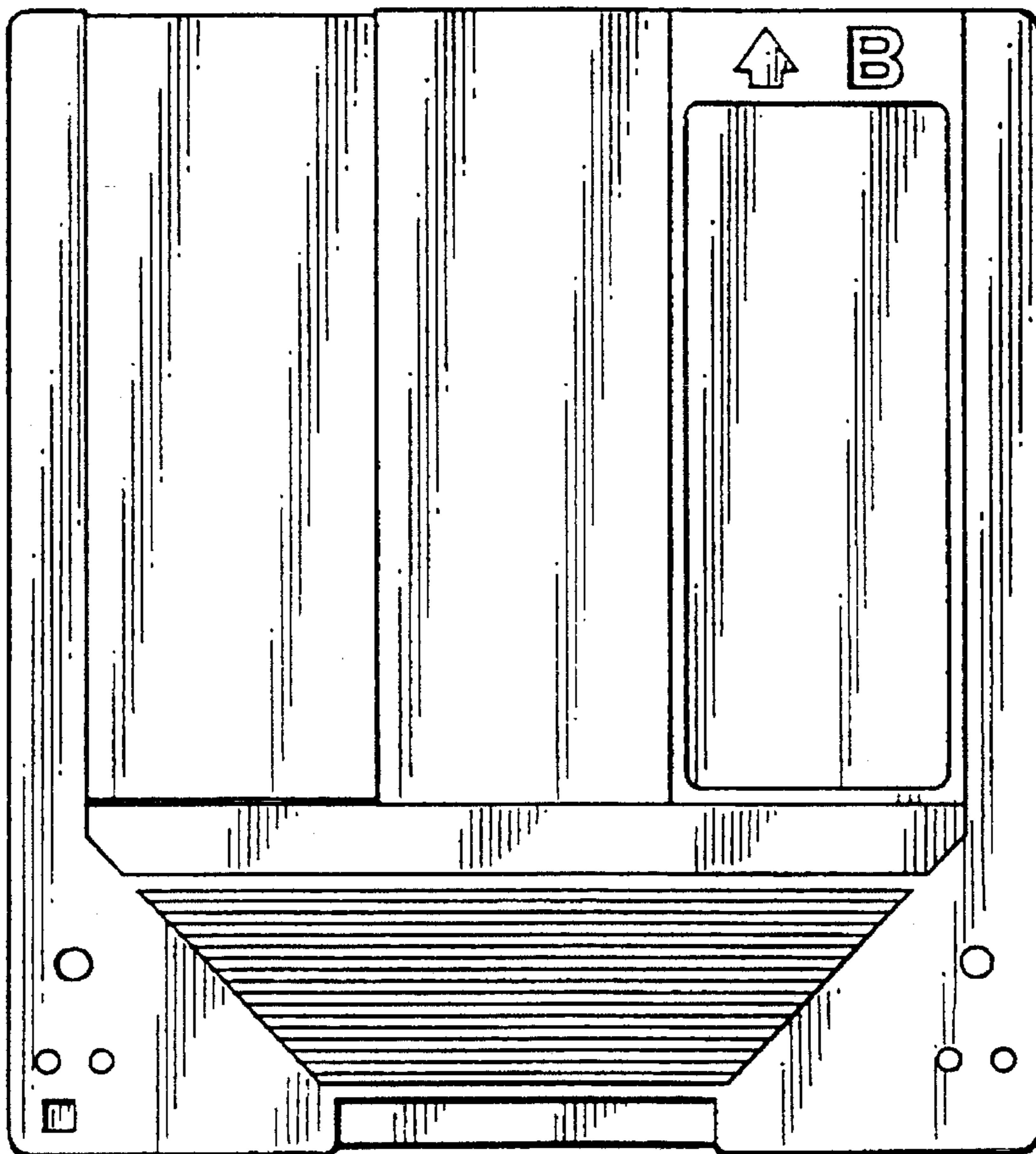


FIG. 7

