



US00D363709S

# United States Patent [19]

Matsumoto

[11] Patent Number: **Des. 363,709**

[45] Date of Patent: **\*\*Oct. 31, 1995**

[54] **DISPLAY FACE OF A LIQUID CRYSTAL DISPLAY MODULE**

D. 354,483	1/1995	Yamazaki	.....	D14/100 X
3,537,792	11/1970	Furniss et al.	.....	353/DIG. 5 X
3,709,590	1/1973	Bisberg	.....	353/DIG. 5 X
4,632,529	12/1986	Levin	.....	353/122

[75] Inventor: **Takumi Matsumoto**, Nara, Japan

[73] Assignee: **Sharp Kabushiki Kaisha**, Osaka, Japan

[\*\*] Term: **14 Years**

*Primary Examiner*—Freda Nunn  
*Attorney, Agent, or Firm*—Nixon & Vanderhye

[21] Appl. No.: **32,119**

[22] Filed: **Dec. 2, 1994**

### [57] CLAIM

The ornamental design for a display face of a liquid crystal display module, as shown and described.

### [30] Foreign Application Priority Data

Aug. 4, 1994 [JP] Japan ..... 6-23710

[52] U.S. Cl. .... **D14/113; D16/235**

[58] Field of Search ..... D14/100, 101,  
D14/106, 113, 124-129; D16/235; 178/18,  
19; 345/104, 133, 156, 168, 173, 87, 901-905;  
353/31, 122, DIG. 3, DIG. 5

### DESCRIPTION

FIG. 1 is a front elevational view of a display face of a liquid crystal display module according to our design; and,

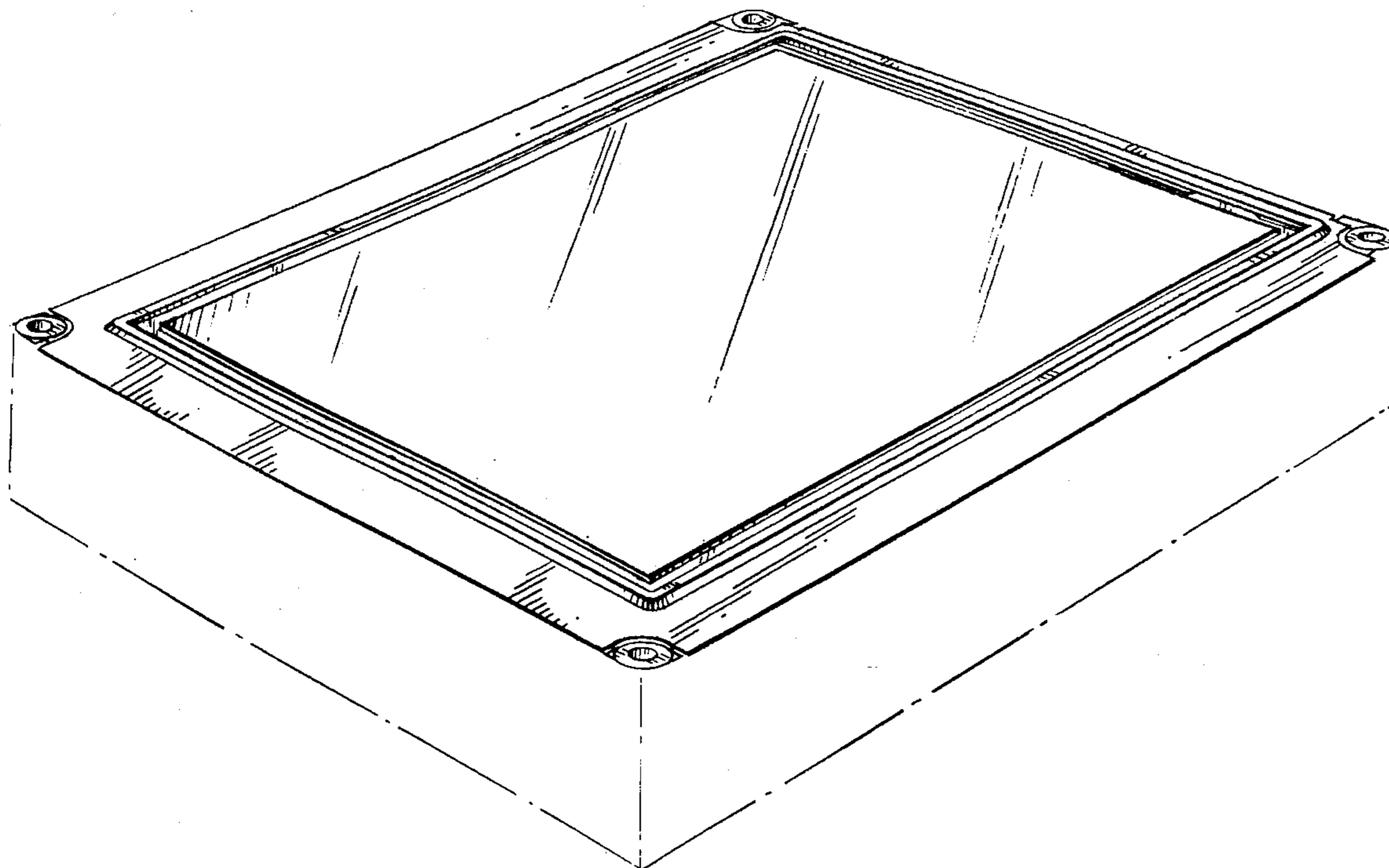
FIG. 2 is a perspective view thereof wherein the liquid crystal display module is shown in broken lines for illustrative purposes only and forms no part of the claimed design the edges and the rear are also not part of the design.

### [56] References Cited

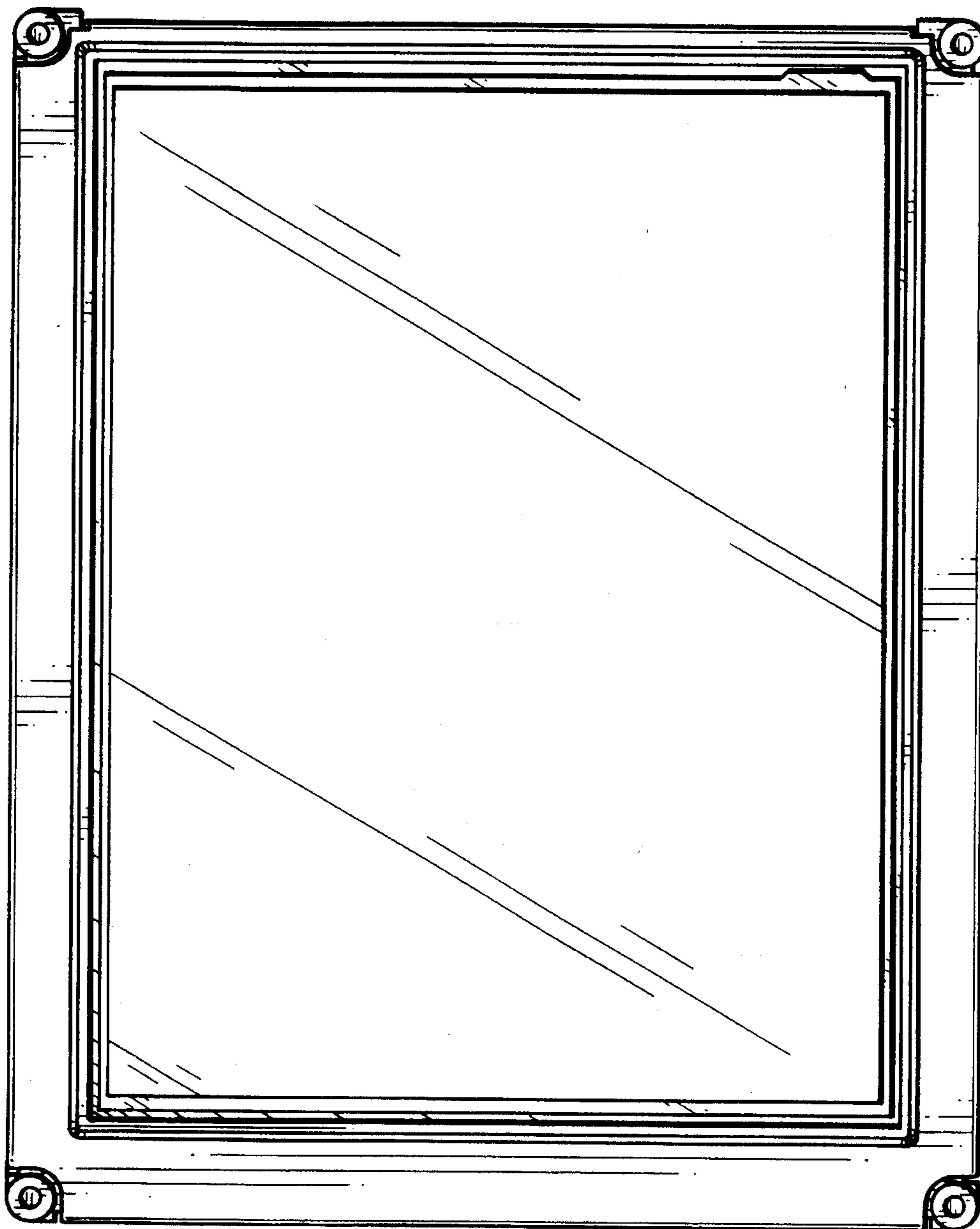
#### U.S. PATENT DOCUMENTS

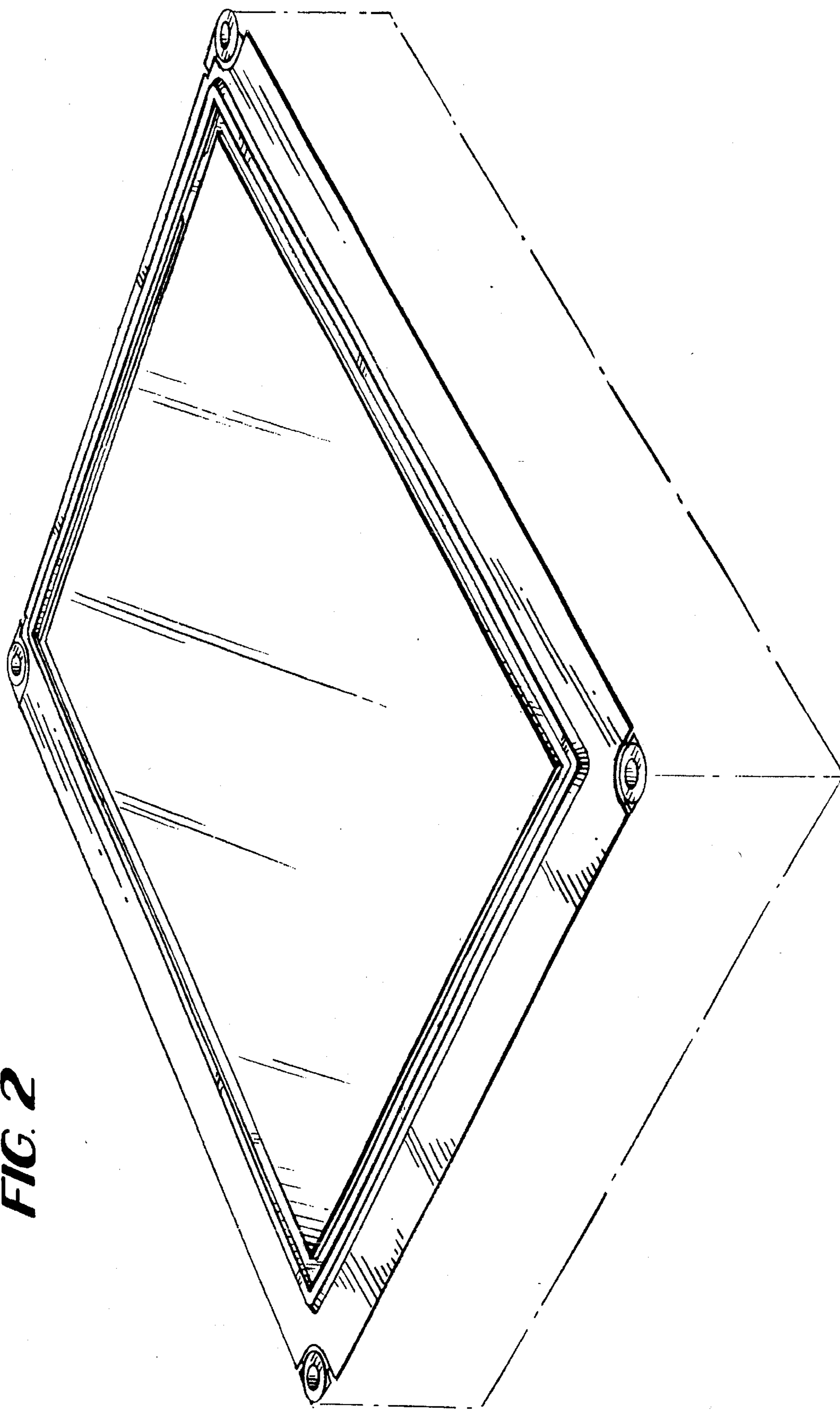
D. 339,574 9/1993 Althans et al. .... D14/113

**1 Claim, 2 Drawing Sheets**



**FIG. 1**





**FIG. 2**