



US00D363706S

United States Patent [19]

Yamazaki

[11] Patent Number: **Des. 363,706**

[45] Date of Patent: ****Oct. 31, 1995**

[54] **COMPUTER**

[75] Inventor: **Kazuhiko Yamazaki**, Hiratuka, Japan

[73] Assignee: **International Business Machines Corporation**, Armonk, N.Y.

[**] Term: **14 Years**

[21] Appl. No.: **30,843**

[22] Filed: **Nov. 9, 1994**

[30] **Foreign Application Priority Data**

May 20, 1994 [JP] Japan 6-14517

[52] U.S. Cl. **D14/100; D14/299; D14/239**

[58] Field of Search D14/100, 106,
D14/113, 114, 125, 239; 358/310, 311,
335, 191.1, 191.2

[56] **References Cited**

U.S. PATENT DOCUMENTS

D. 338,468 8/1993 Rowse D14/239

D. 347,631 6/1994 Terleski D14/125
D. 358,812 5/1995 Boyd D14/125
D. 359,042 6/1995 Tamura D14/239 X

Primary Examiner—Freda Nunn
Attorney, Agent, or Firm—Casimer K. Salys

[57] **CLAIM**

The ornamental design for the computer, as shown and described.

DESCRIPTION

FIG. 1 is a front elevational view of a computer showing my new design;

FIG. 2 is a top plan view thereof;

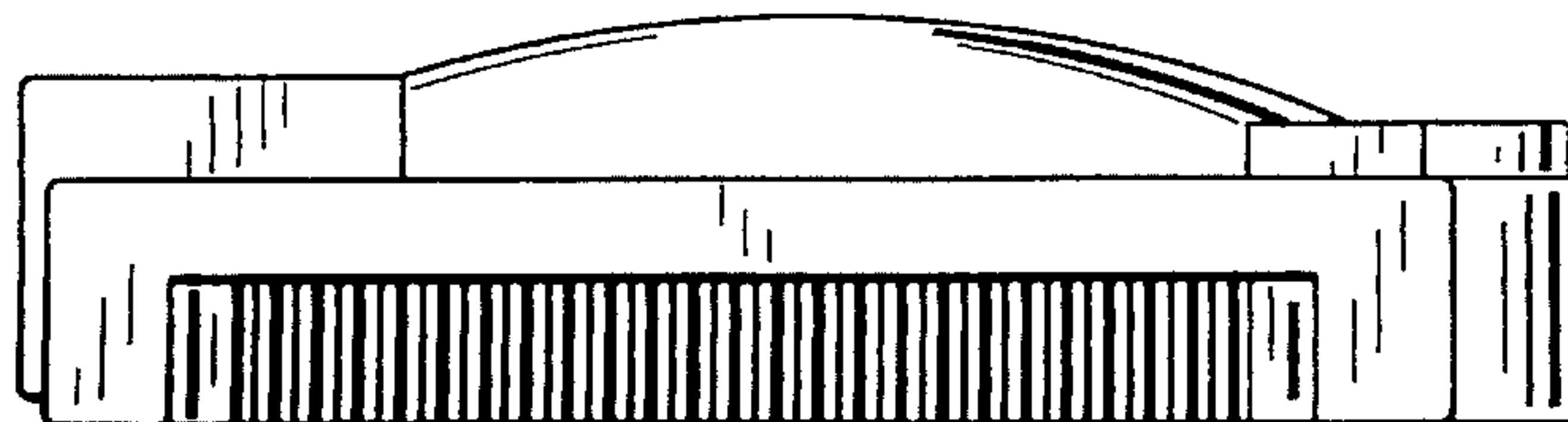
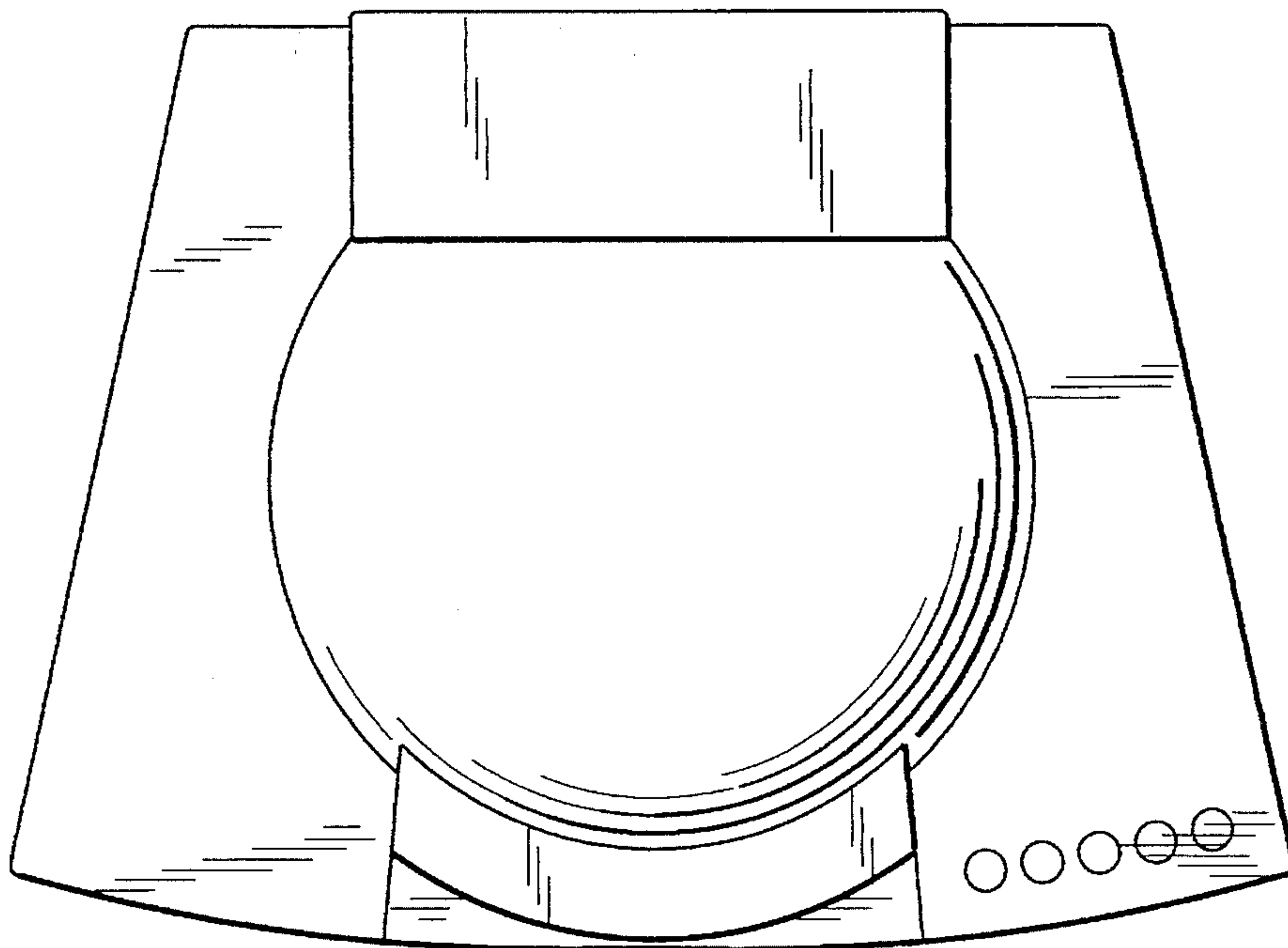
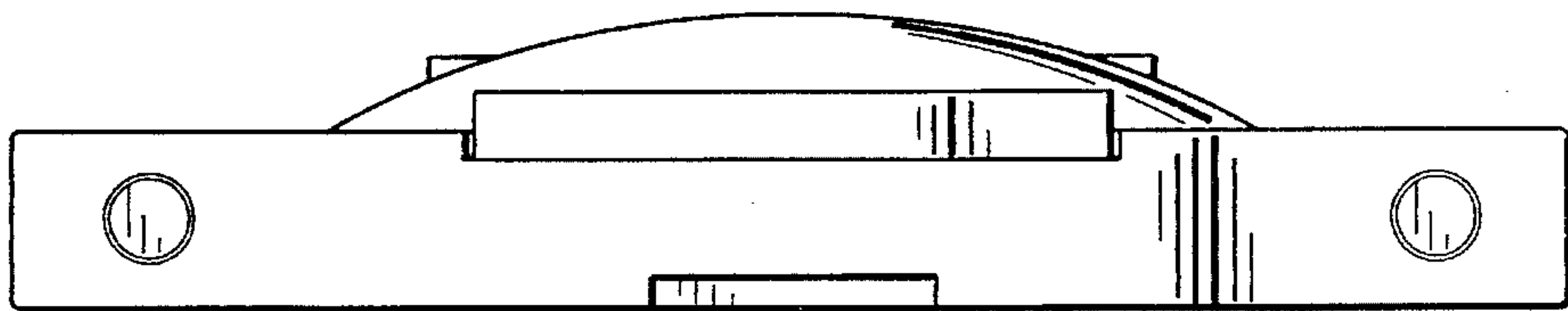
FIG. 3 is a rear elevational view thereof;

FIG. 4 is a bottom plan view thereof;

FIG. 5 is a right side elevational view thereof; and,

FIG. 6 is a left side elevational view thereof.

1 Claim, 3 Drawing Sheets



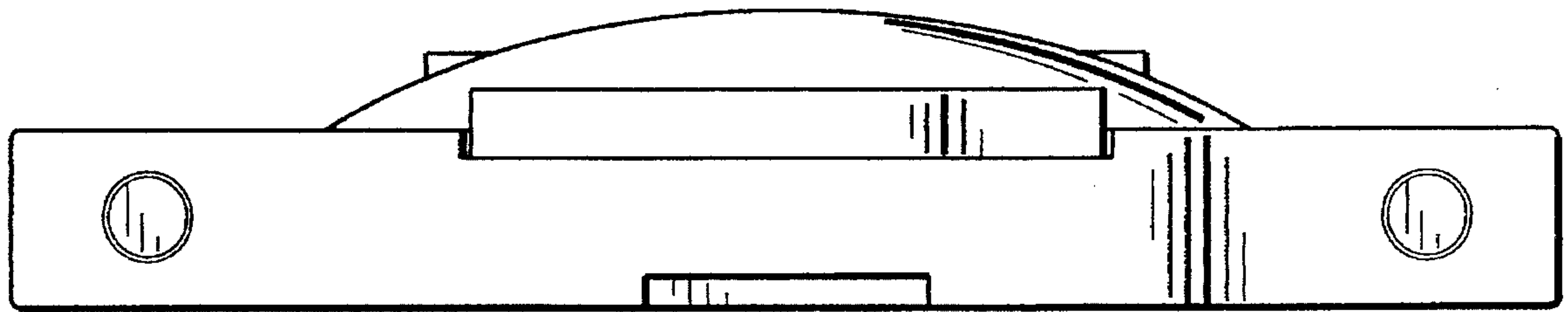


FIG. 1

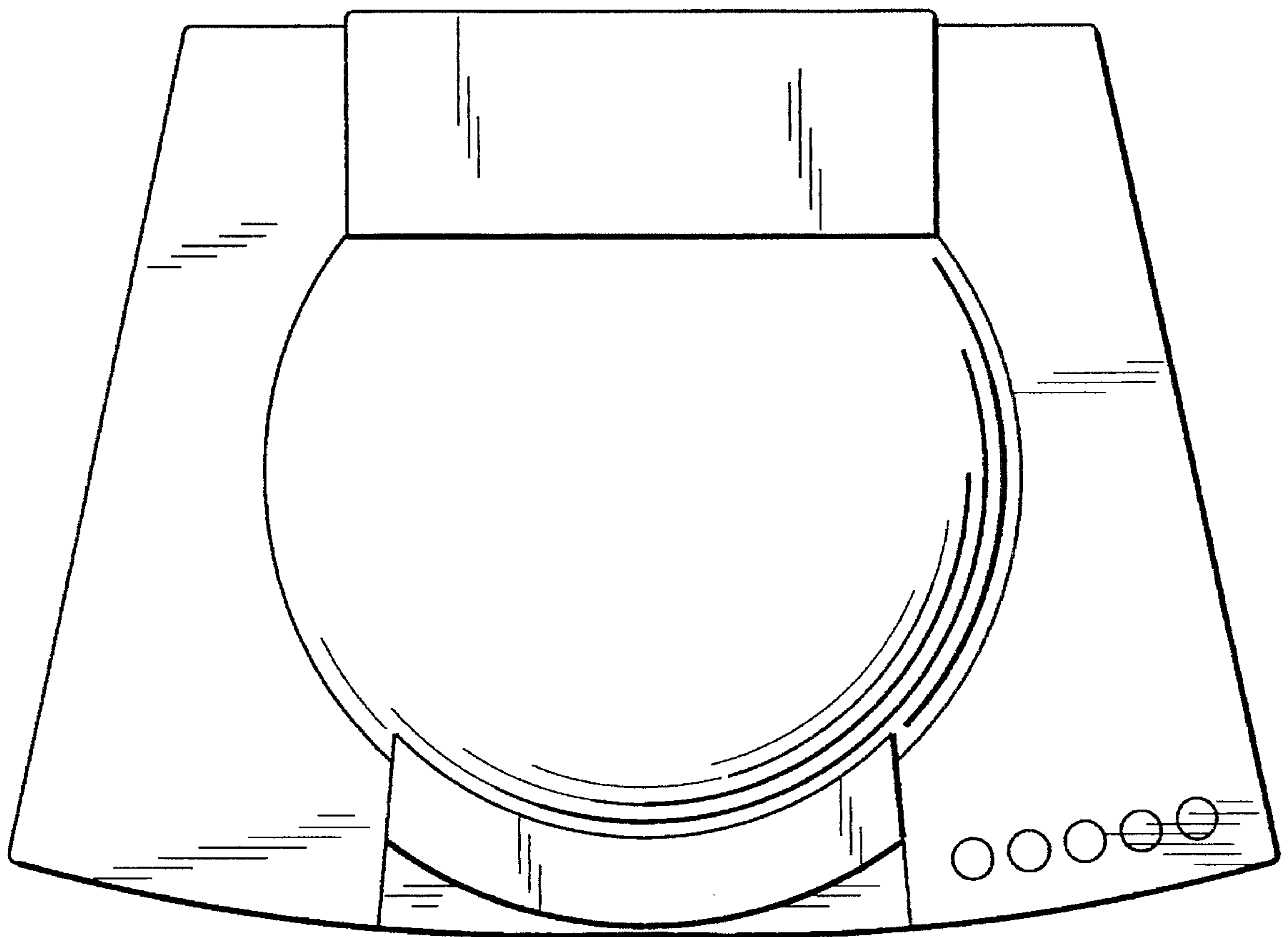


FIG. 2

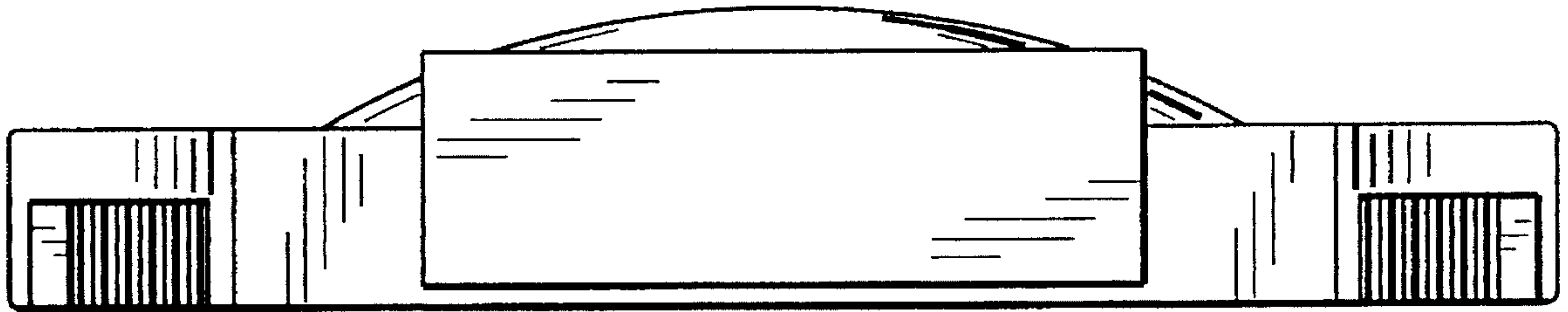


FIG. 3

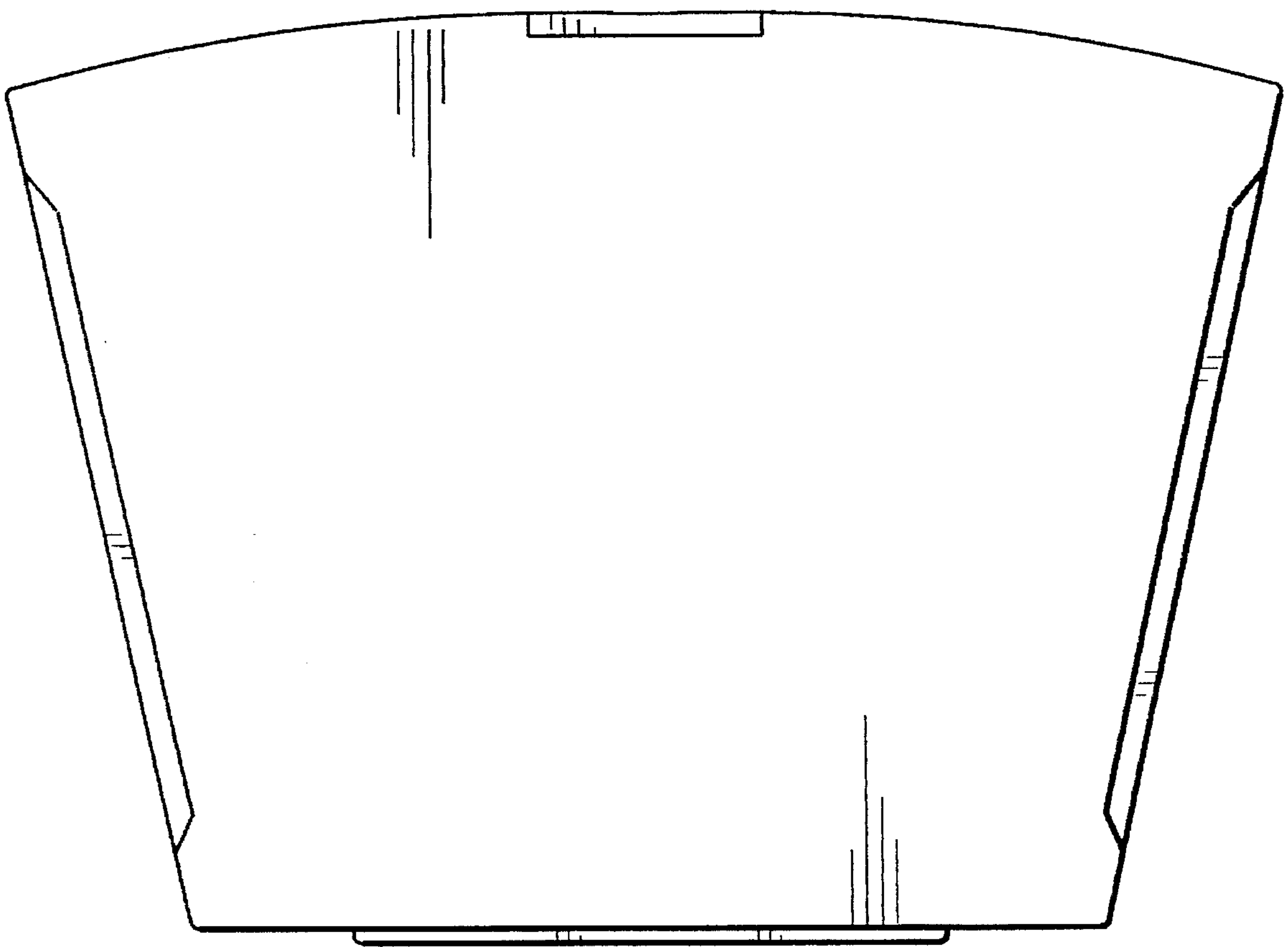


FIG. 4

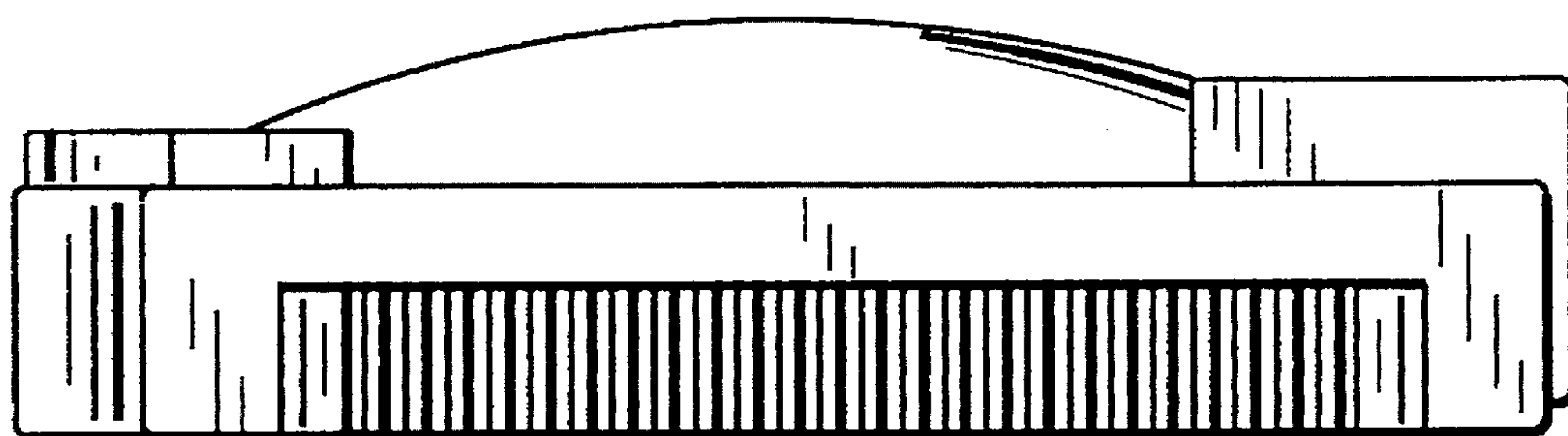


FIG. 5

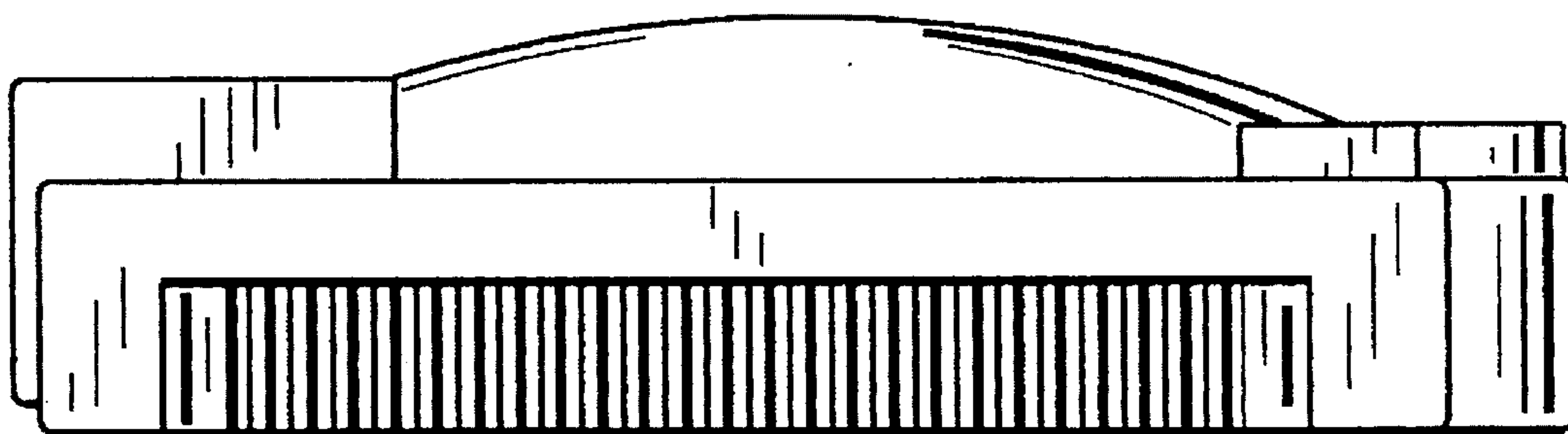


FIG. 6