



US00D363704S

United States Patent [19] Chang

[11] Patent Number: **Des. 363,704**

[45] Date of Patent: ****Oct. 31, 1995**

[54] **TOWER COMPUTER**

[75] Inventor: **Philip W. Chang**, Agoura Hills, Calif.

[73] Assignee: **Packard Bell Electronics, Inc.**,
Westlake Village, Calif.

[**] Term: **14 Years**

[21] Appl. No.: **27,463**

[22] Filed: **Aug. 22, 1994**

[52] U.S. Cl. **D14/100**; D14/109

[58] **Field of Search** D14/100, 102,
D14/107-109; D13/162, 184, 199; 312/208.1,
223.2, 223.3, 194; 360/97.01, 97.04, 98.01,
99.01, 99.12; 361/600, 622, 724-728

[56] **References Cited**

U.S. PATENT DOCUMENTS

D. 353,802 12/1994 Jasinski D14/100
5,248,193 9/1993 Schlemmer D14/100 X

OTHER PUBLICATIONS

Asian Sources Computer Products, Sunlan Electronics Corp.
Advertisement, Oct. 1993, p. 223.

Primary Examiner—Freda Nunn
Attorney, Agent, or Firm—Wilson, Sonsini, Goodrich &
Rosati

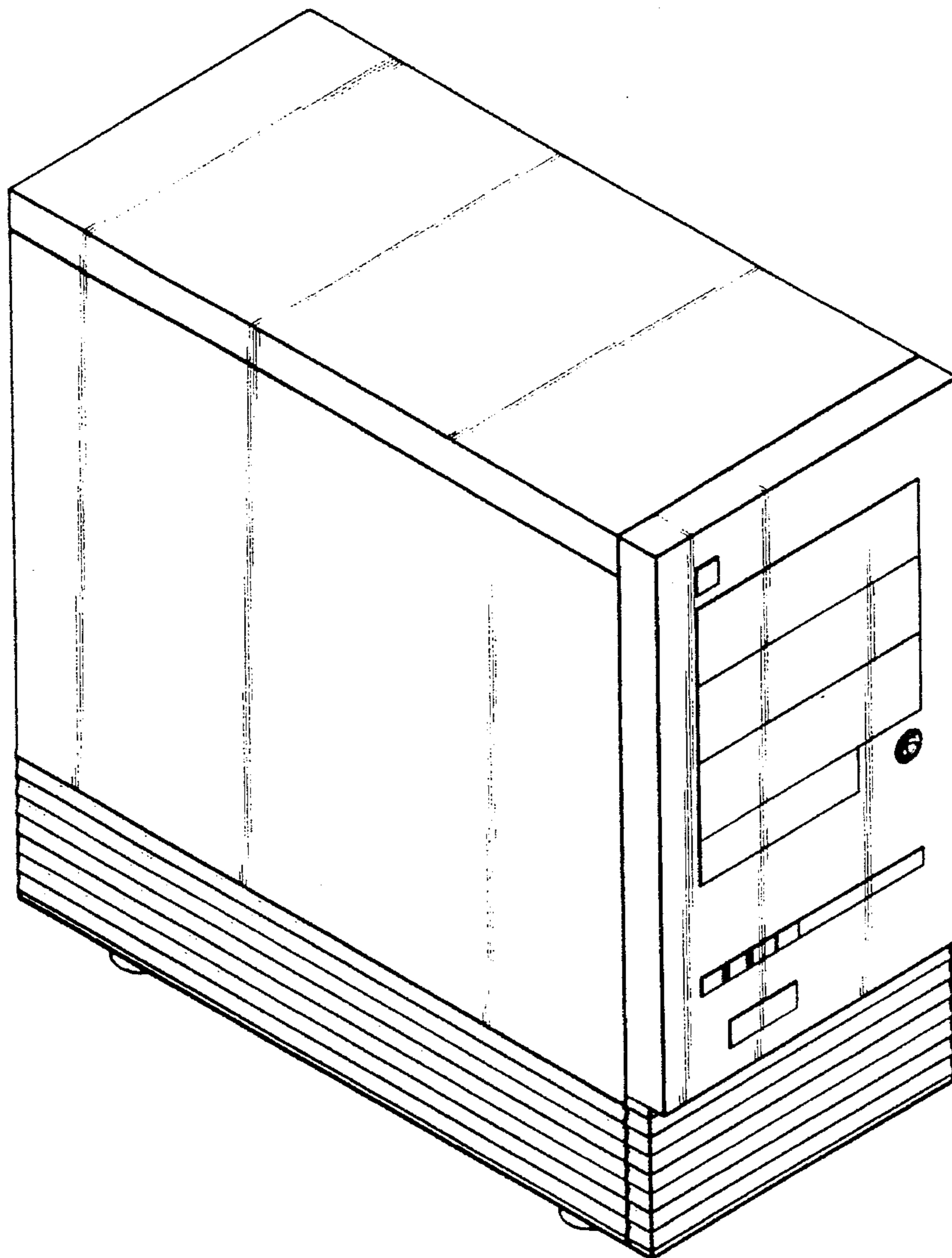
[57] **CLAIM**

The ornamental design for a tower computer, as shown and
described.

DESCRIPTION

FIG. 1 is a top, front, right perspective view of a tower
computer showing my new design;
FIG. 2 is a front elevation thereof;
FIG. 3 is a right side elevation thereof;
FIG. 4 is a left side elevation thereof;
FIG. 5 is a rear elevation thereof;
FIG. 6 is a bottom plan view thereof; and,
FIG. 7 is a top plan view thereof.

1 Claim, 7 Drawing Sheets



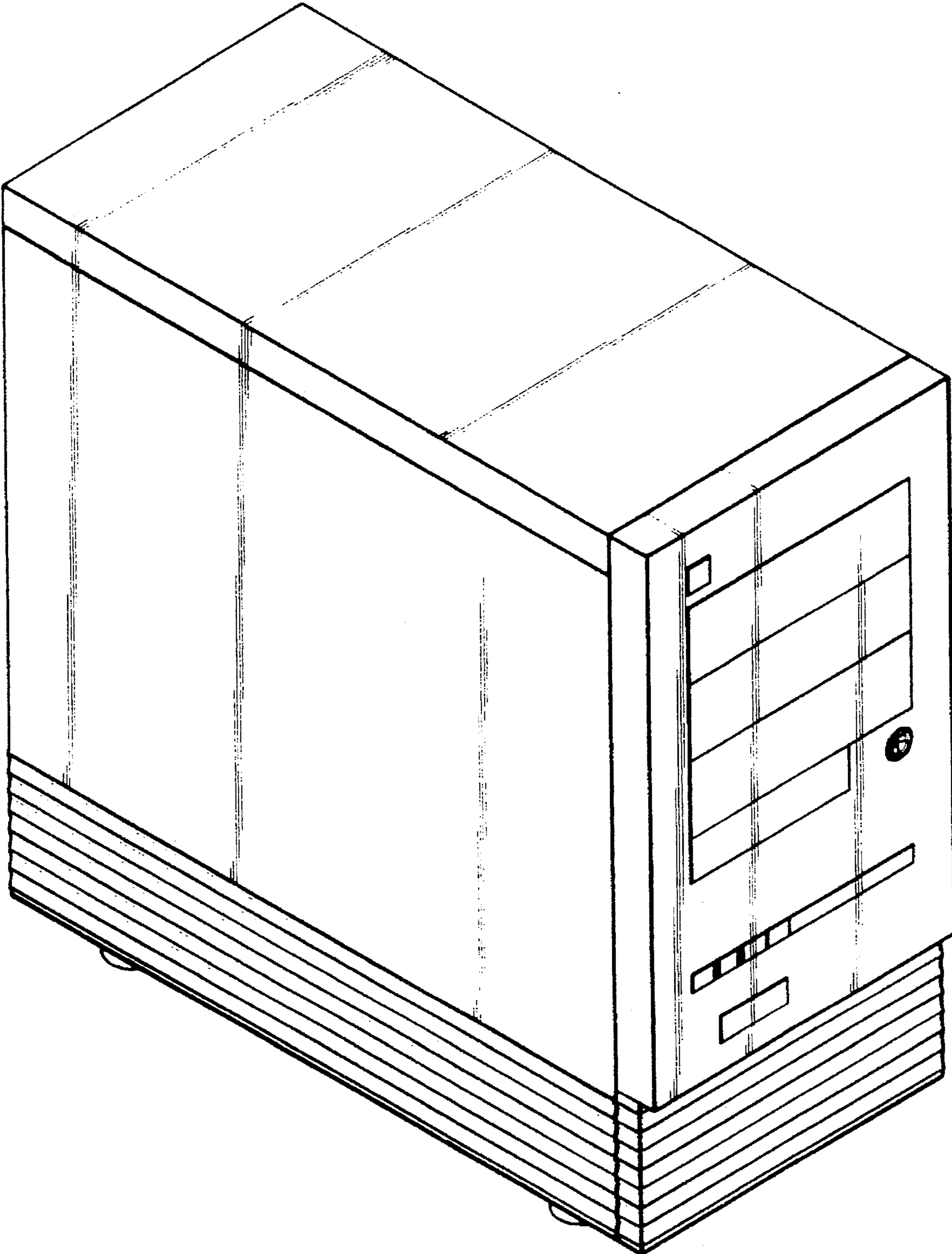


FIGURE 1

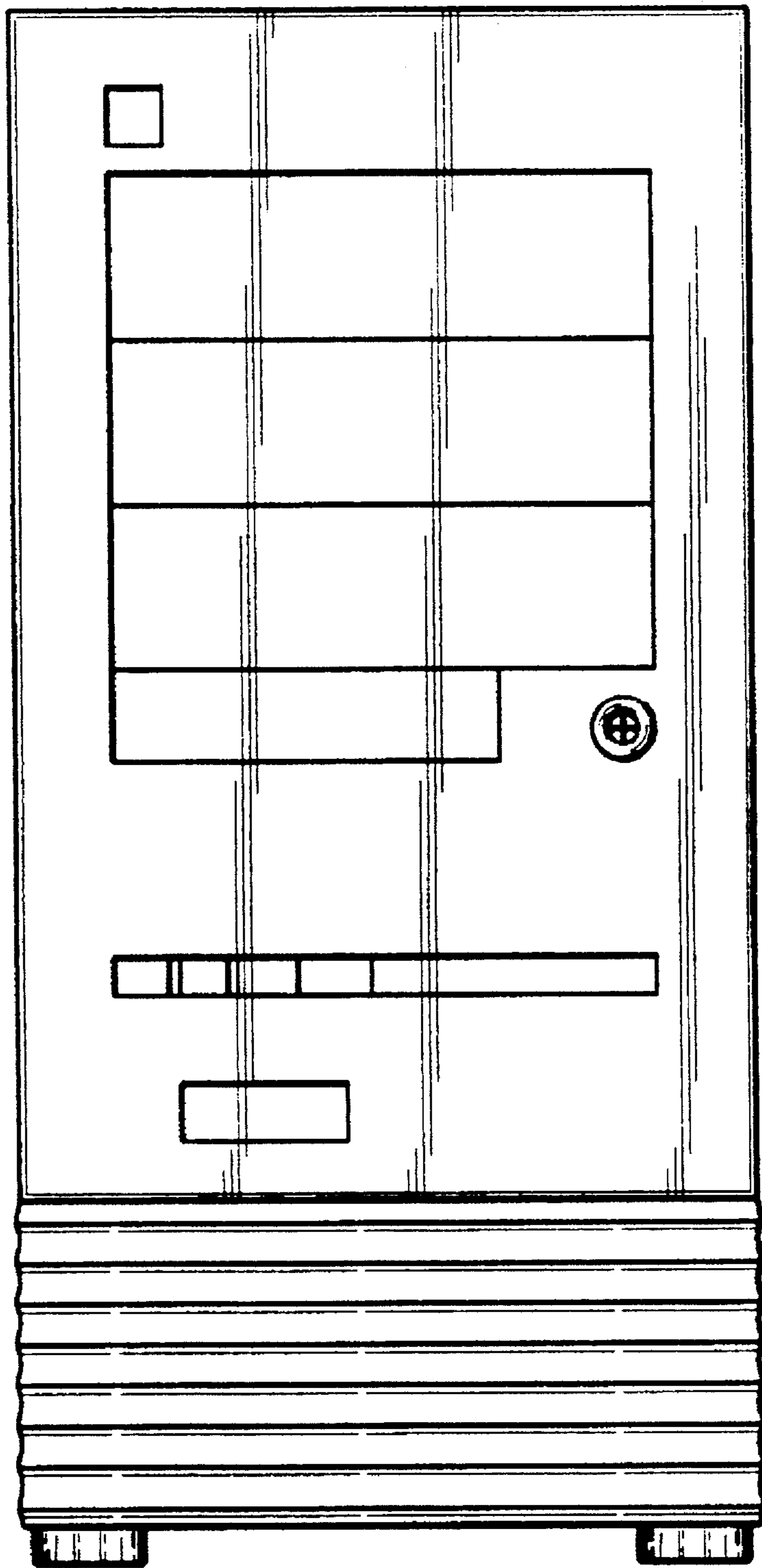


FIGURE 2

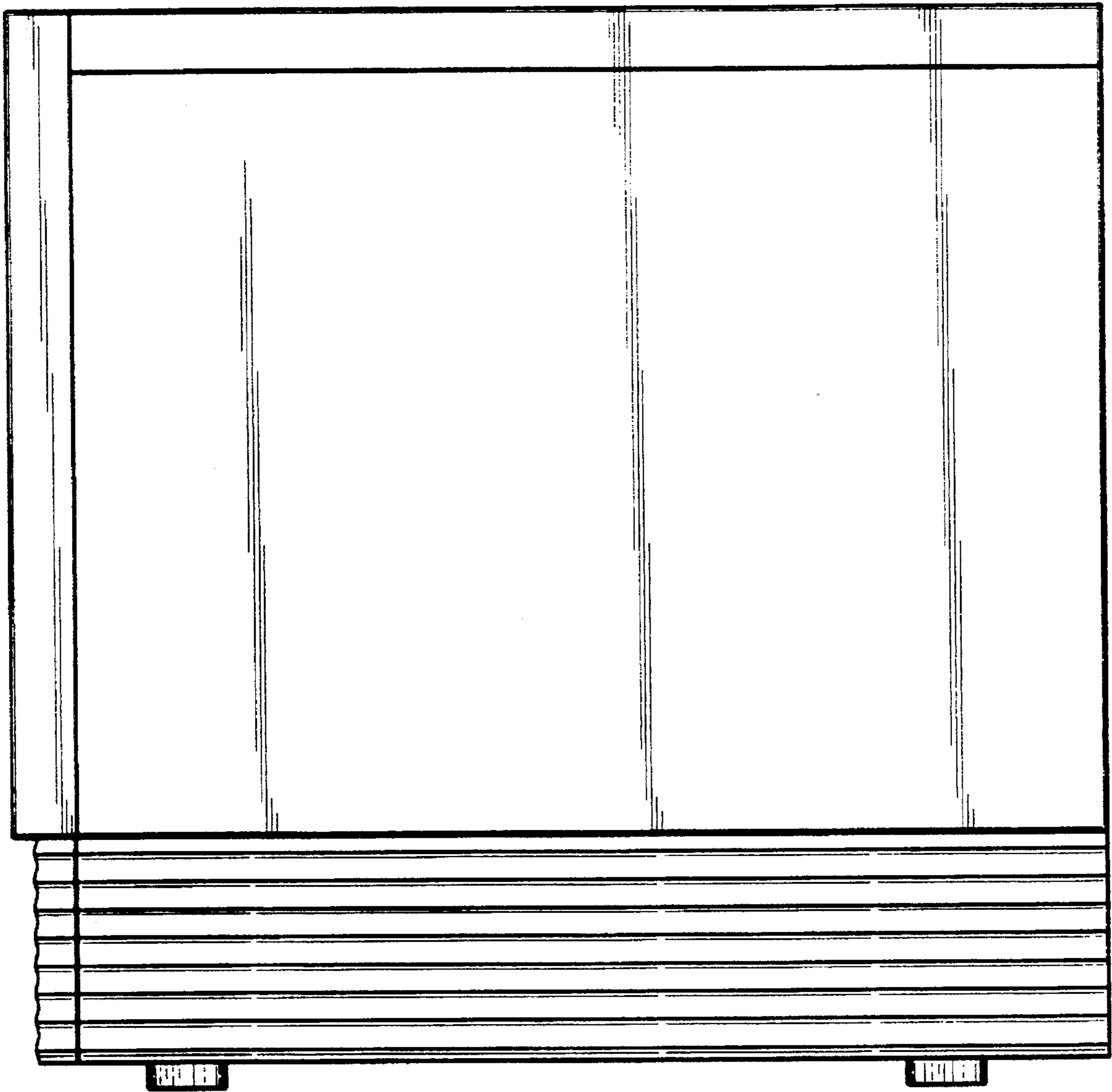


FIGURE 3

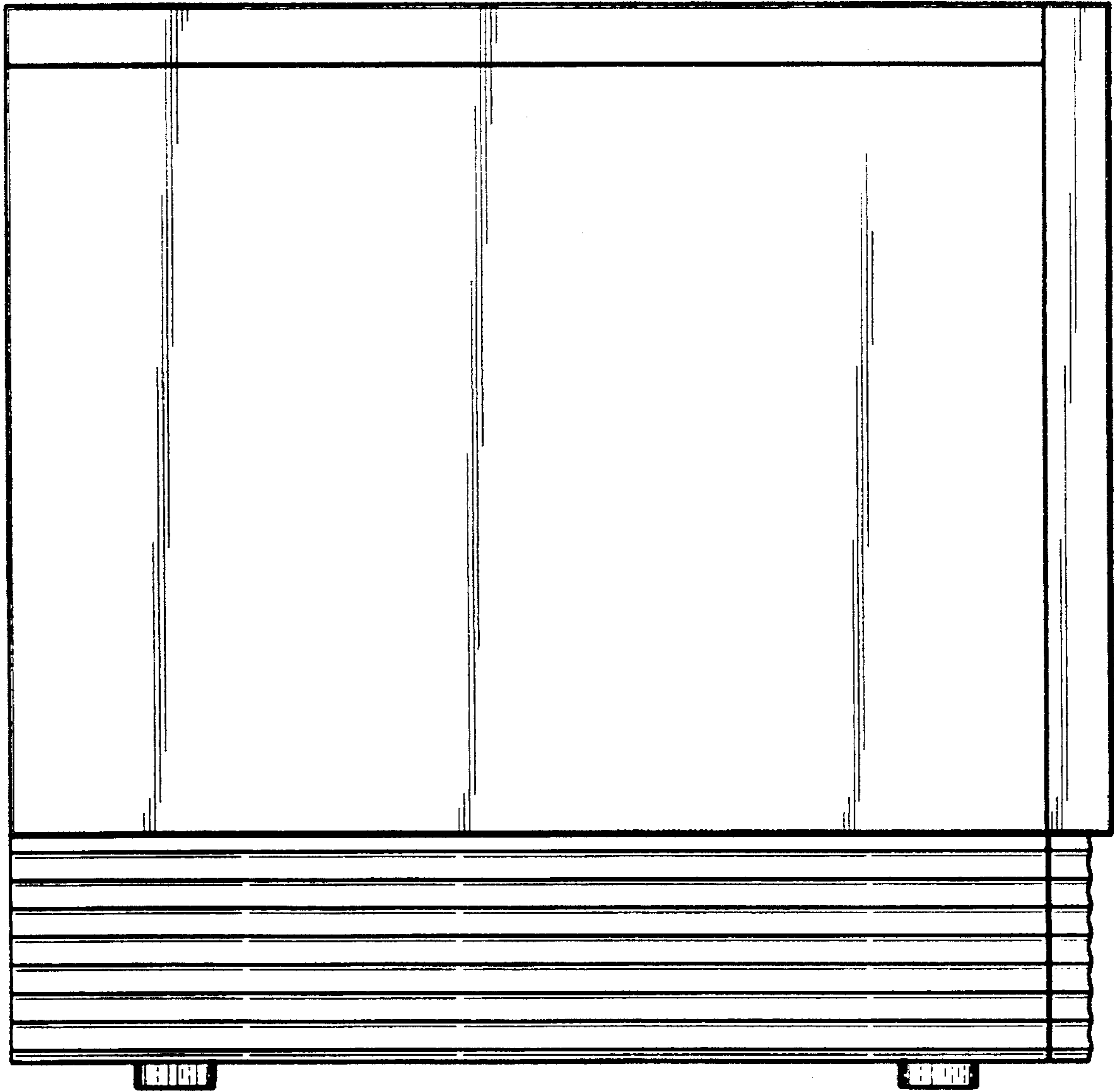


FIGURE 4

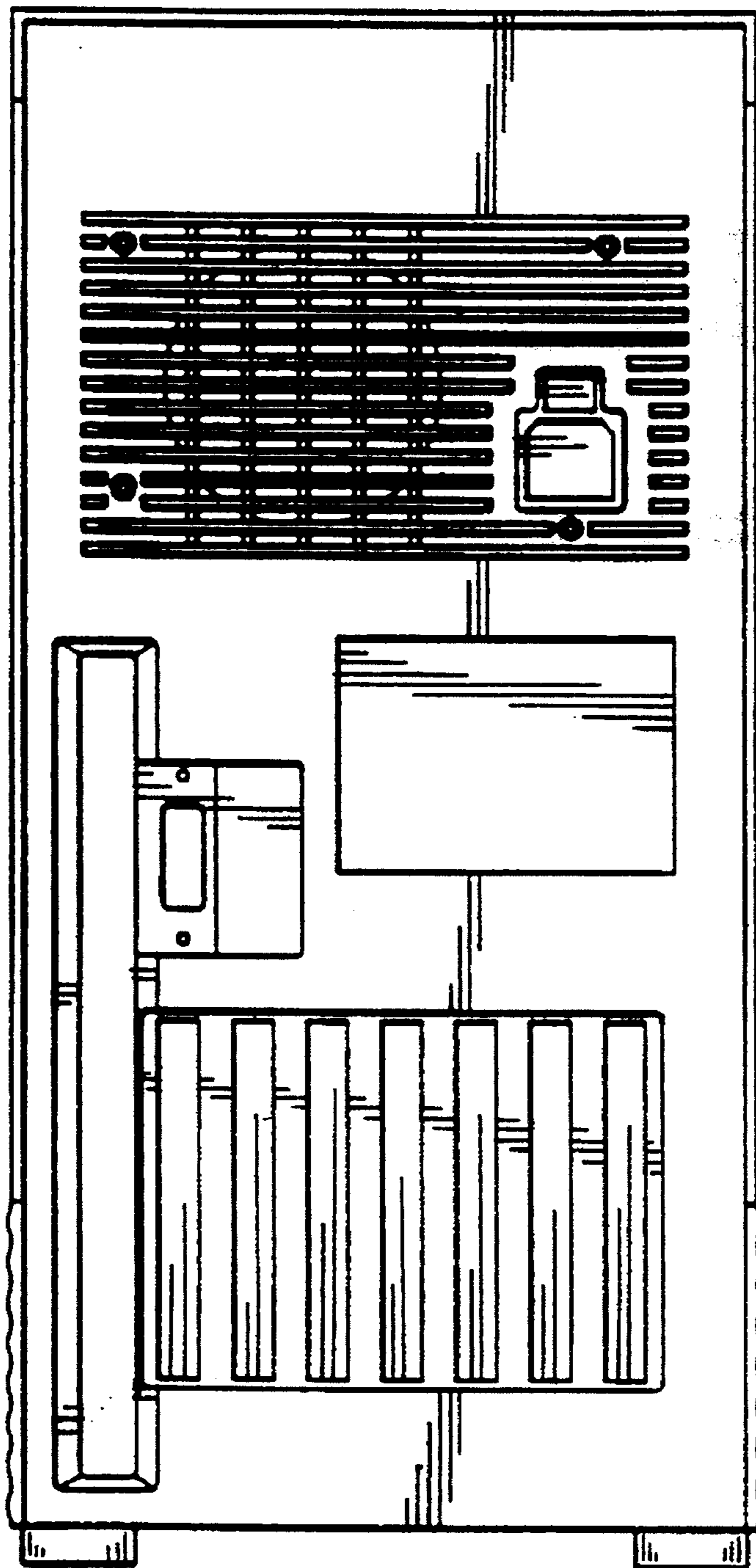


FIGURE 5

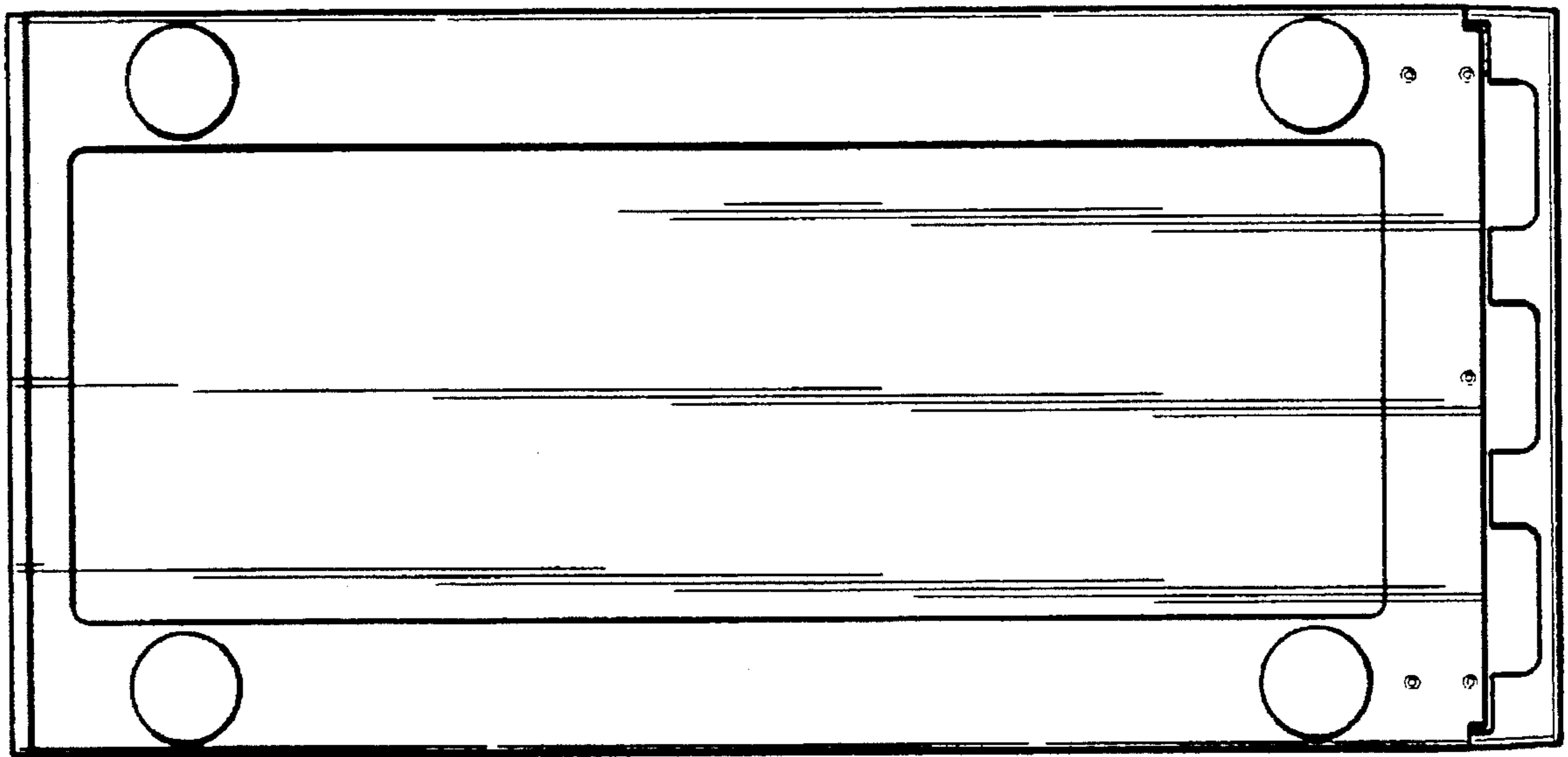


FIGURE 6

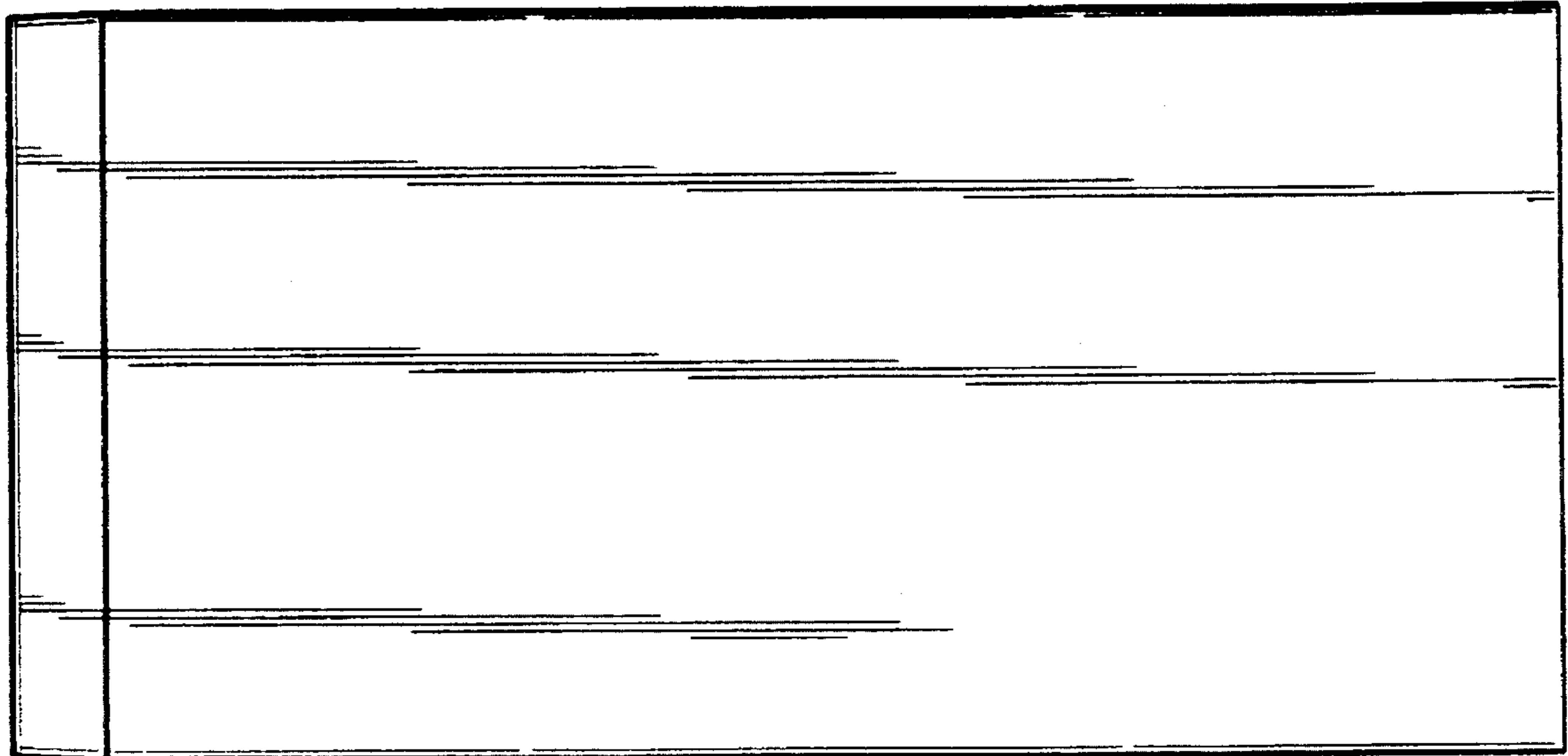


FIGURE 7