



US00D363702S

# United States Patent [19]

McFadden

[11] Patent Number: **Des. 363,702**

[45] Date of Patent: **\*\*Oct. 31, 1995**

[54] SOLENOID HOUSING AND CAP

4,871,989 10/1989 Gross ..... 335/255 X  
5,280,873 1/1994 Abrahamsen et al. .... 335/278 X

[76] Inventor: **Patrick A. McFadden**, 255 Woodside Dr., Pataskala, Ohio 43062

*Primary Examiner*—Joel Sincavage  
*Attorney, Agent, or Firm*—Mueller and Smith

[\*\*] Term: **14 Years**

[57] **CLAIM**

[21] Appl. No.: **18,865**

The ornamental design for solenoid housing and cap, as shown and described.

[22] Filed: **Feb. 16, 1994**

[52] U.S. Cl. .... **D13/183**

[58] Field of Search ..... D13/166, 183;  
335/251, 255, 278

**DESCRIPTION**

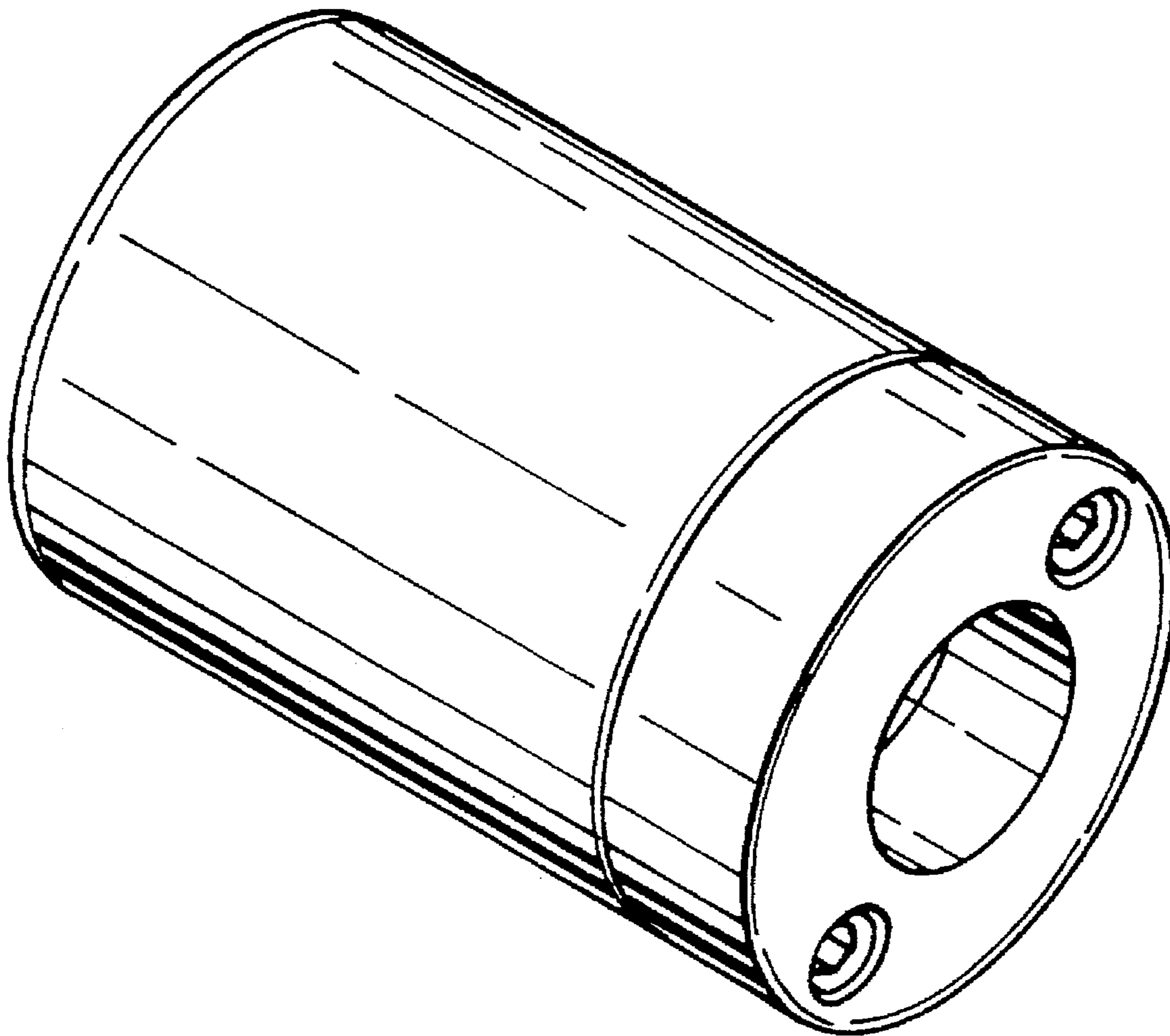
FIG. 1 is a perspective view of the solenoid housing and cap showing my new design;  
FIG. 2 is a rear elevational view of the housing;  
FIG. 3 is a front elevational view of the cap; and,  
FIG. 4 is a side elevational view of the housing and cap.

[56] **References Cited**

**U.S. PATENT DOCUMENTS**

3,932,826 1/1976 Read, Jr. .... 335/255 X  
4,647,890 3/1987 Riley, Jr. et al. .... 335/278

**1 Claim, 1 Drawing Sheet**



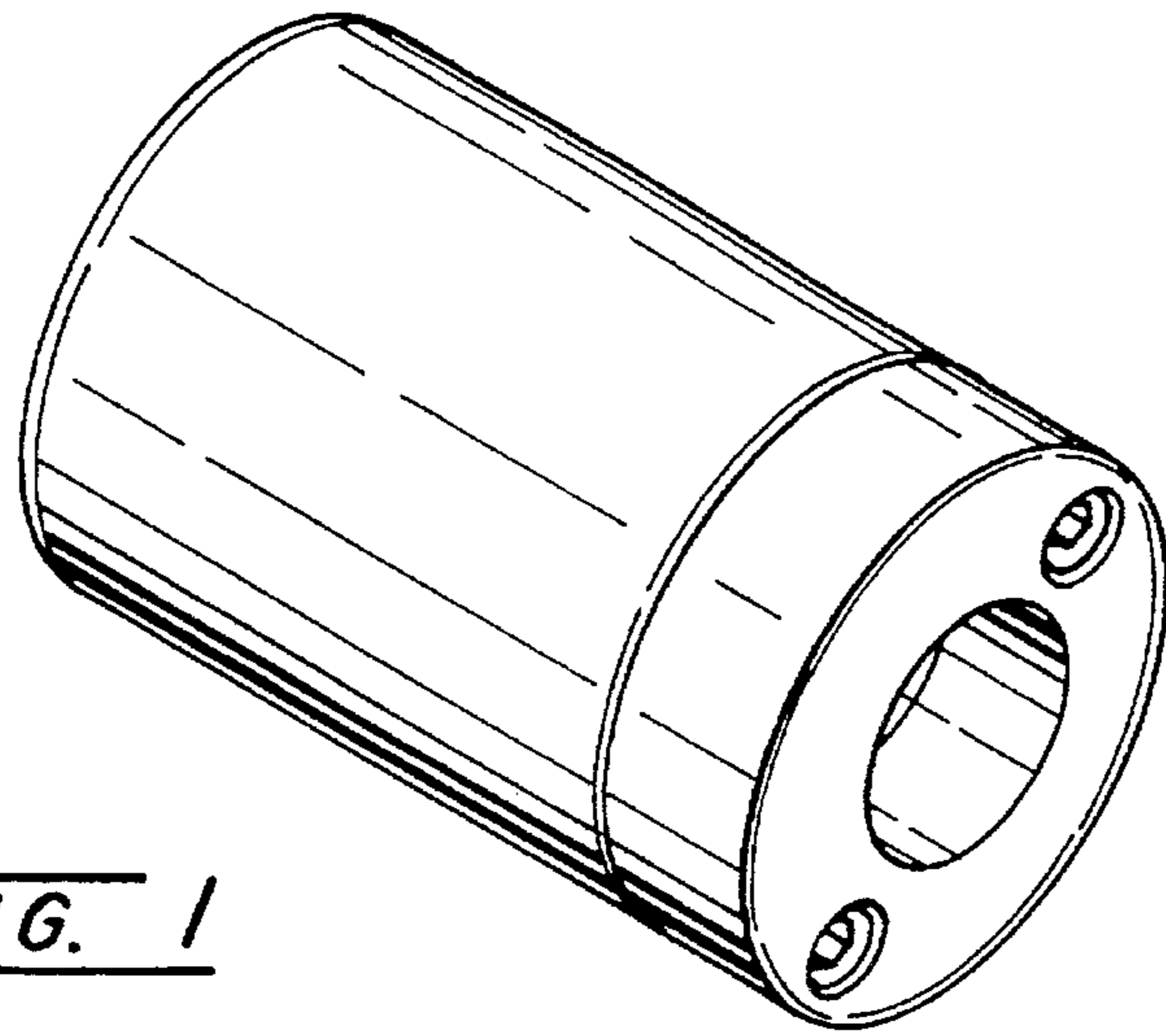


FIG. 1

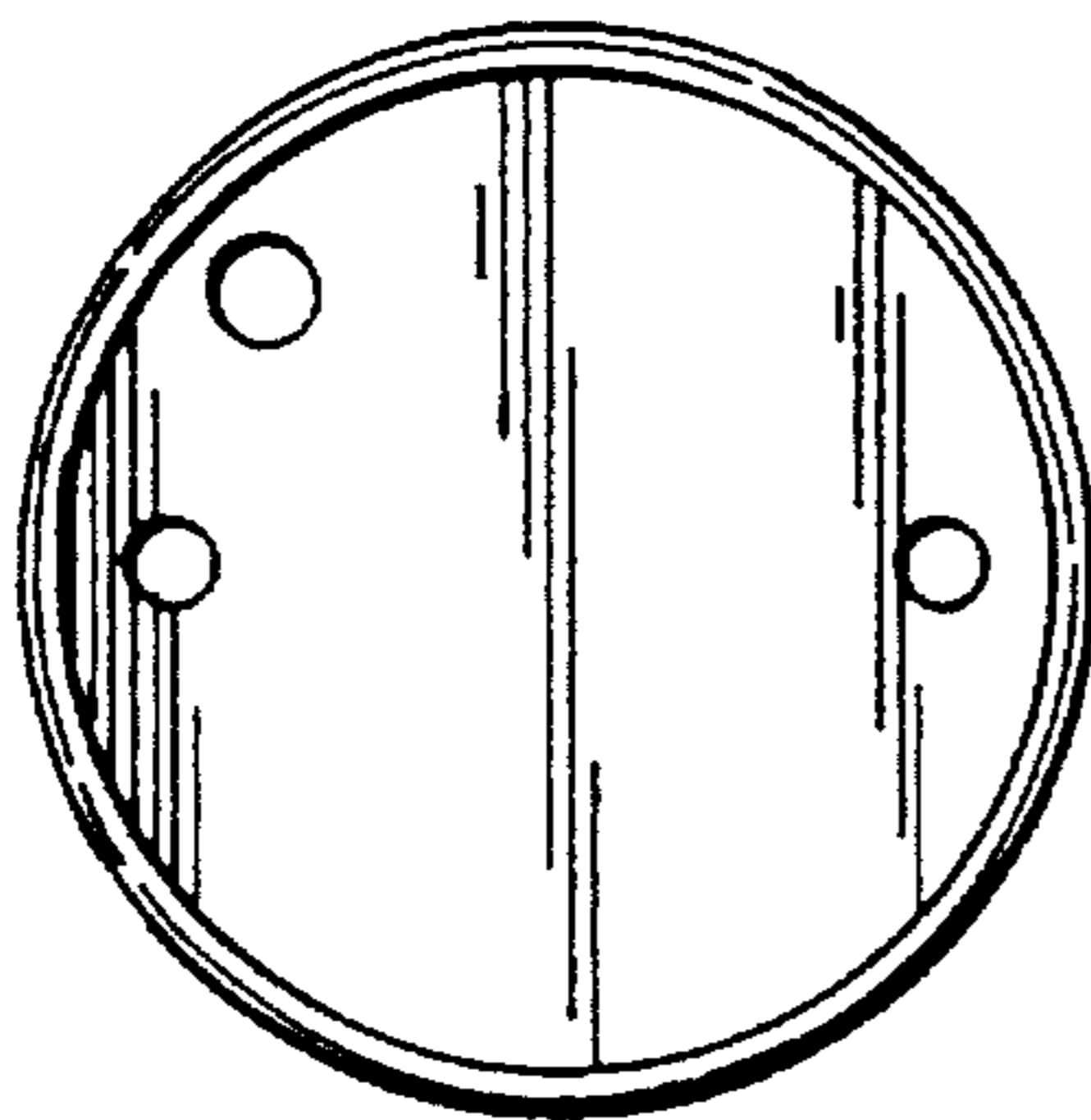


FIG. 2

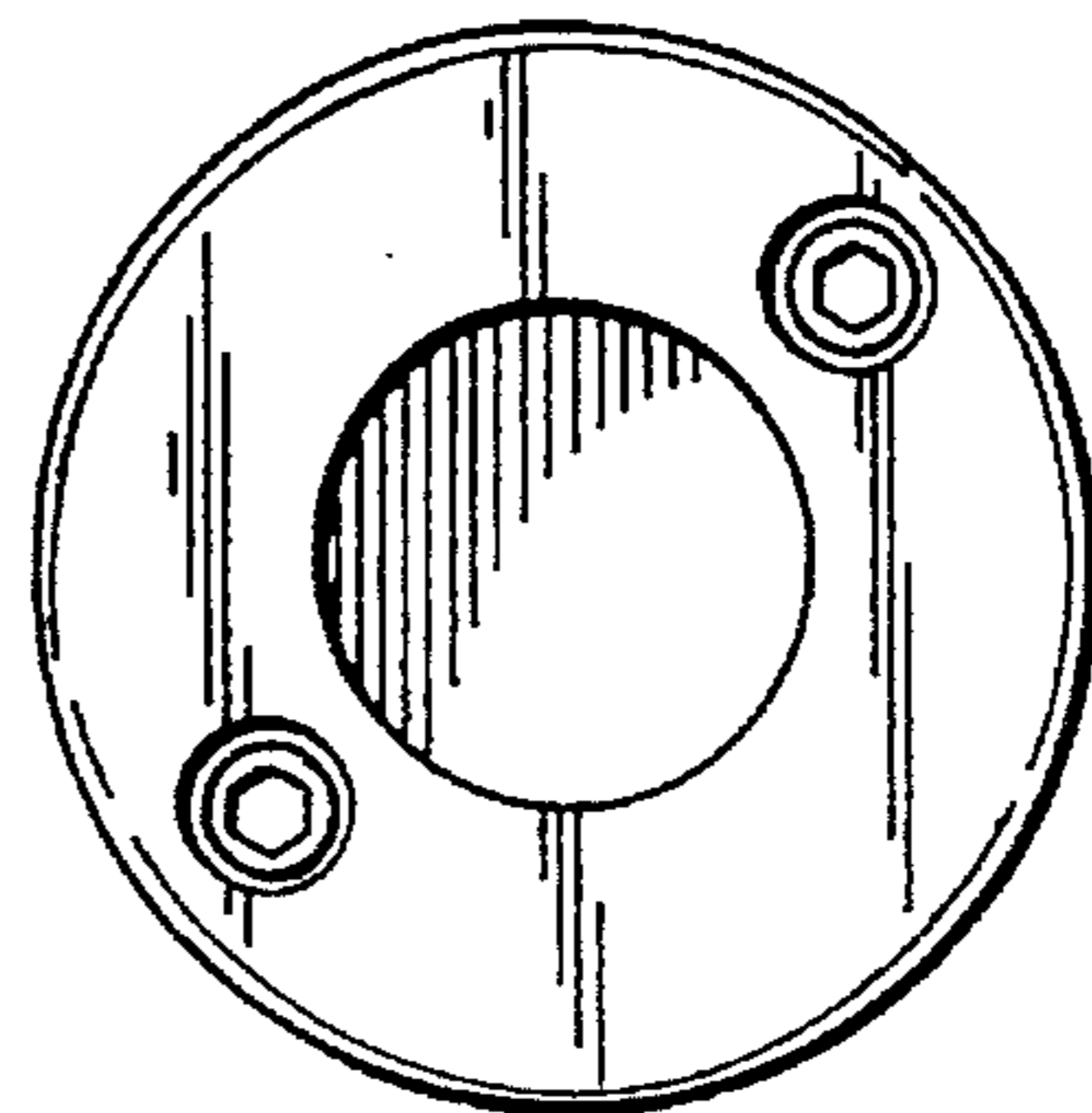


FIG. 3

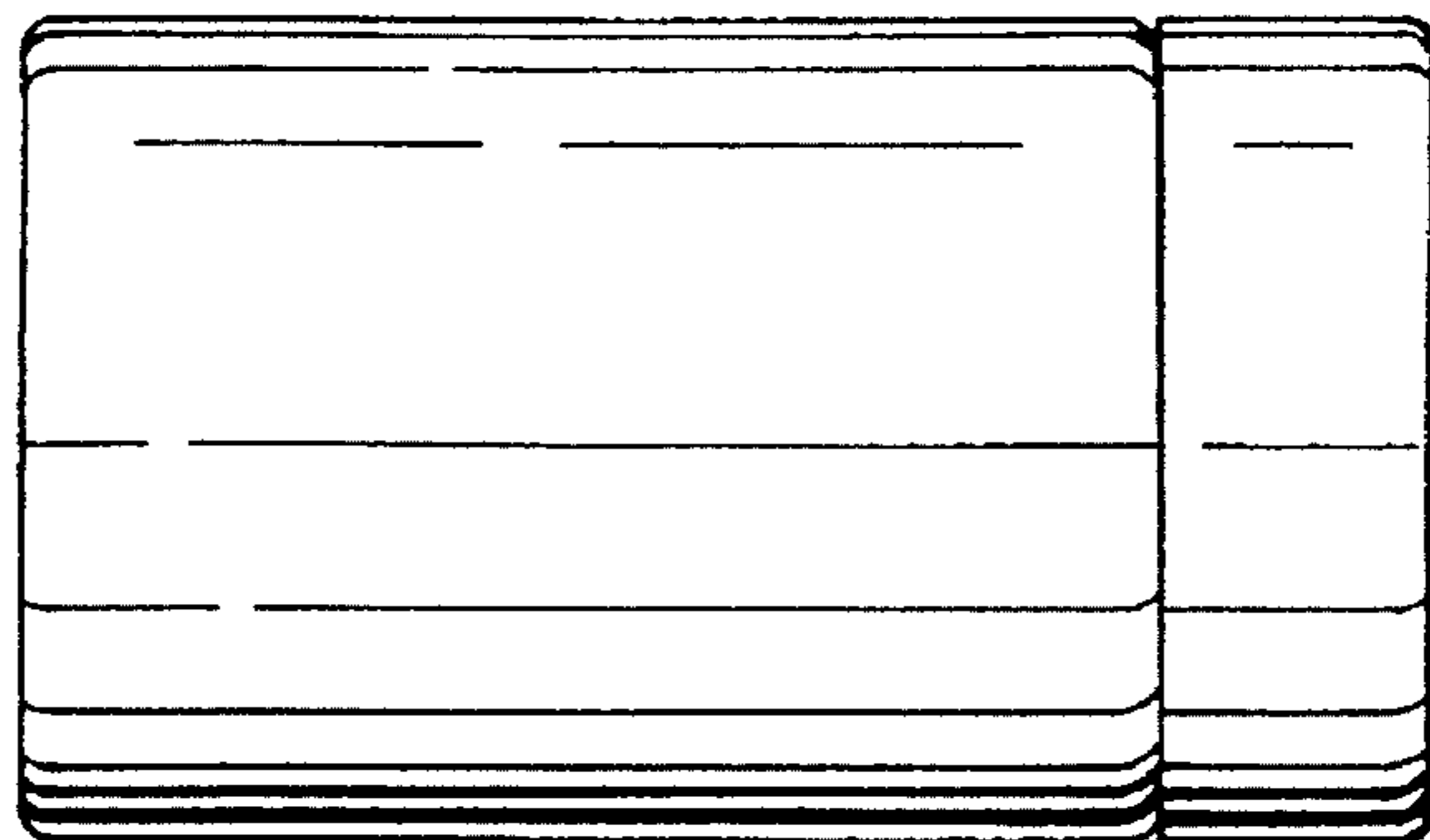


FIG. 4