



US00D363700S

United States Patent [19]

[11] Patent Number: **Des. 363,700**

Buongervino et al.

[45] Date of Patent: ****Oct. 31, 1995**

[54] CABLE ASSEMBLY

D. 357,257	4/1995	Kuo	D13/147 X
4,961,711	10/1990	Fujiura et al.	439/357
5,201,669	4/1993	Lin	439/350 X

[75] Inventors: **Nicholas Buongervino**, Hauppauge;
Ronald Edwards, Sayville; **Peter Musteric**, Hauppauge; **Patrick Mauro**, Lake Grove, all of N.Y.

OTHER PUBLICATIONS

D8AG data cord on p. 45 of *AT&T Premises Distribution Products Customer Catalog*, 1987.

[73] Assignee: **Symbol Technologies, Inc.**, Bohemia, N.Y.

Primary Examiner—Joel Sincavage

[**] Term: **14 Years**

[57] CLAIM

[21] Appl. No.: **36,647**

The ornamental design for a cable assembly, as shown and described.

[22] Filed: **Mar. 23, 1995**

DESCRIPTION

[52] U.S. Cl. **D13/147**

FIG. 1 is a top, front, left-side perspective view of a cable assembly showing our new design;

[58] Field of Search D13/146, 147;
D14/256; 439/11, 13, 344, 350, 357, 502,
638, 676

FIG. 2 is a top plan view thereof;

FIG. 3 is a front elevational view thereof;

FIG. 4 is a left-side elevational view thereof;

FIG. 5 is a right-side elevational view thereof;

FIG. 6 is a rear elevational view thereof; and,

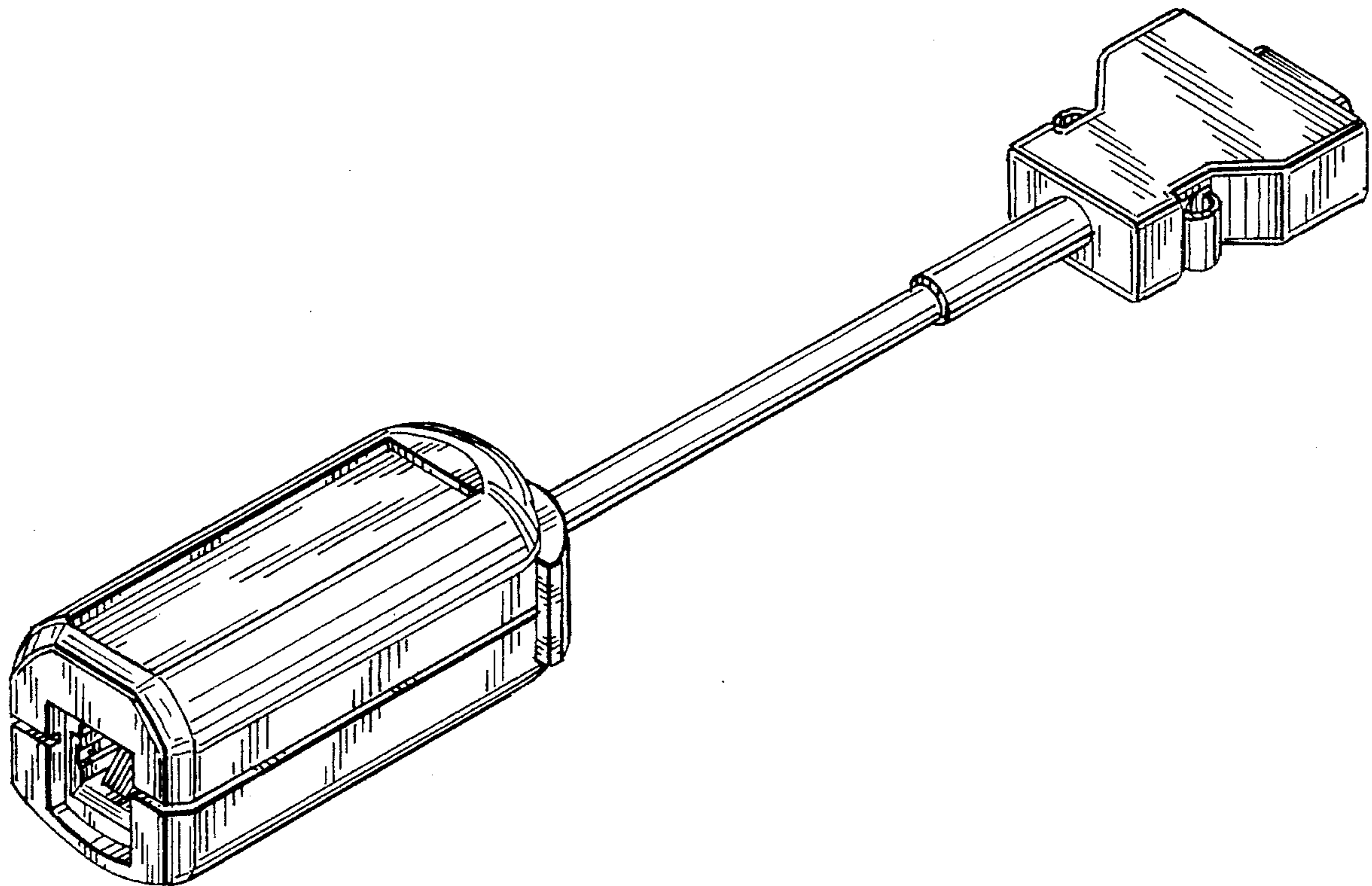
FIG. 7 is a bottom plan view thereof.

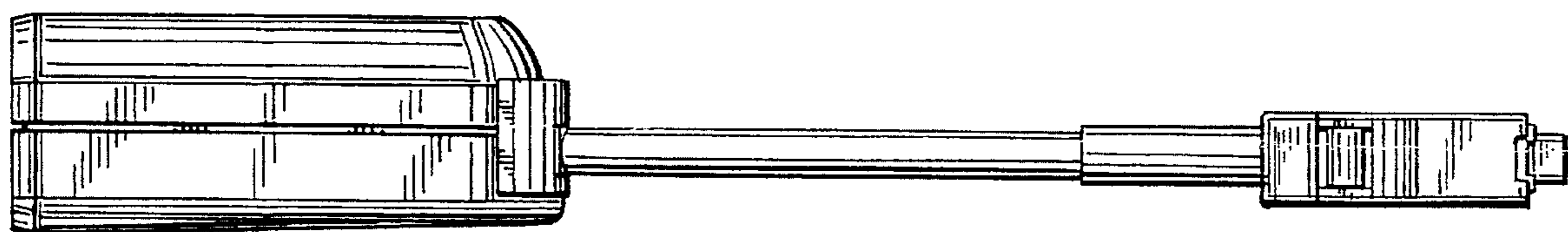
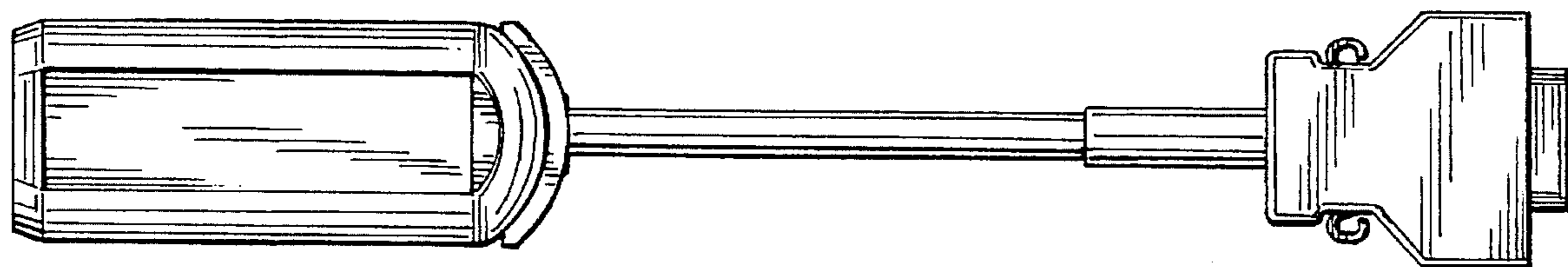
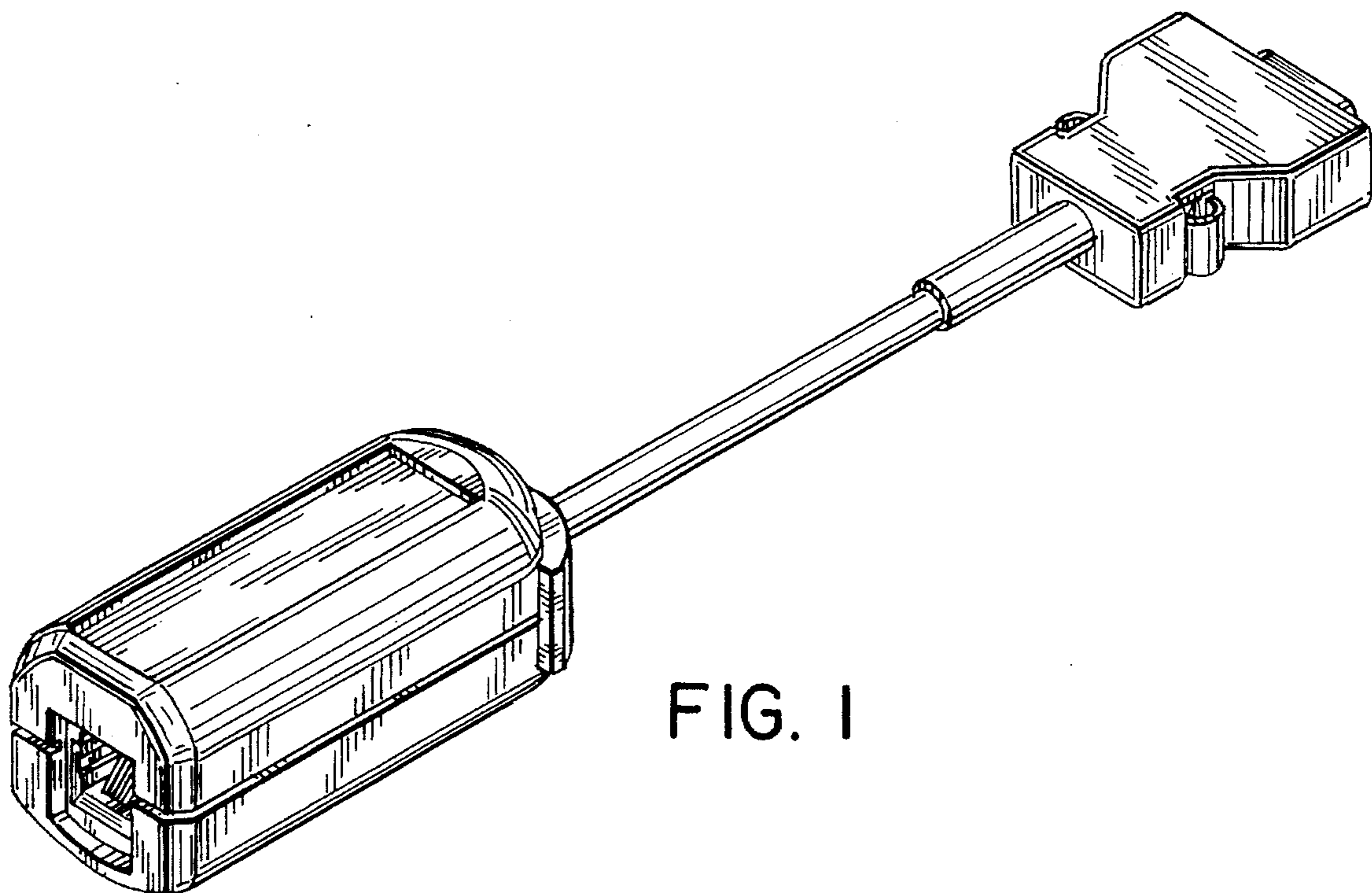
[56] References Cited

U.S. PATENT DOCUMENTS

D. 338,654	8/1993	Ditzig	D13/147
D. 355,891	2/1995	Ditzig et al.	D13/147

1 Claim, 2 Drawing Sheets





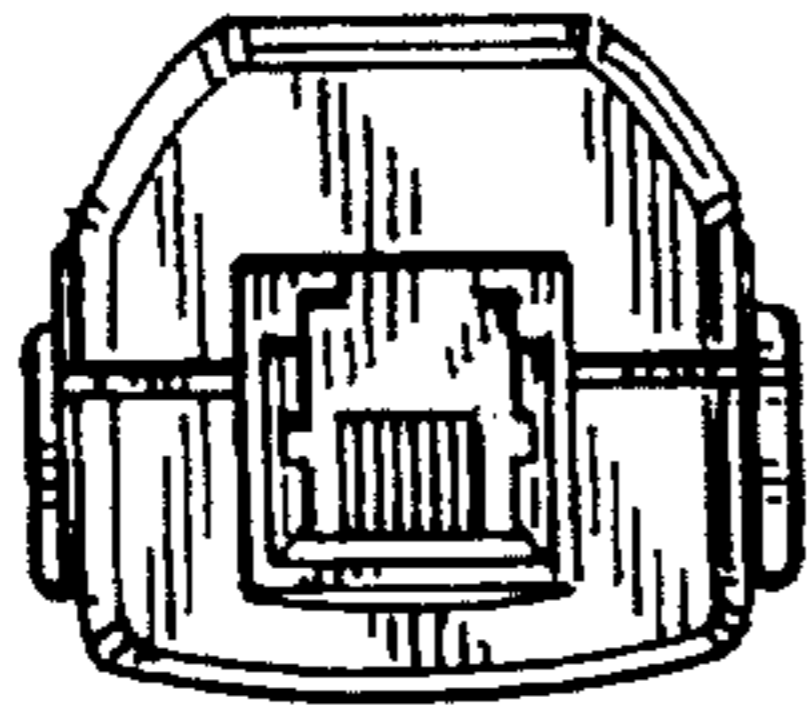


FIG. 4

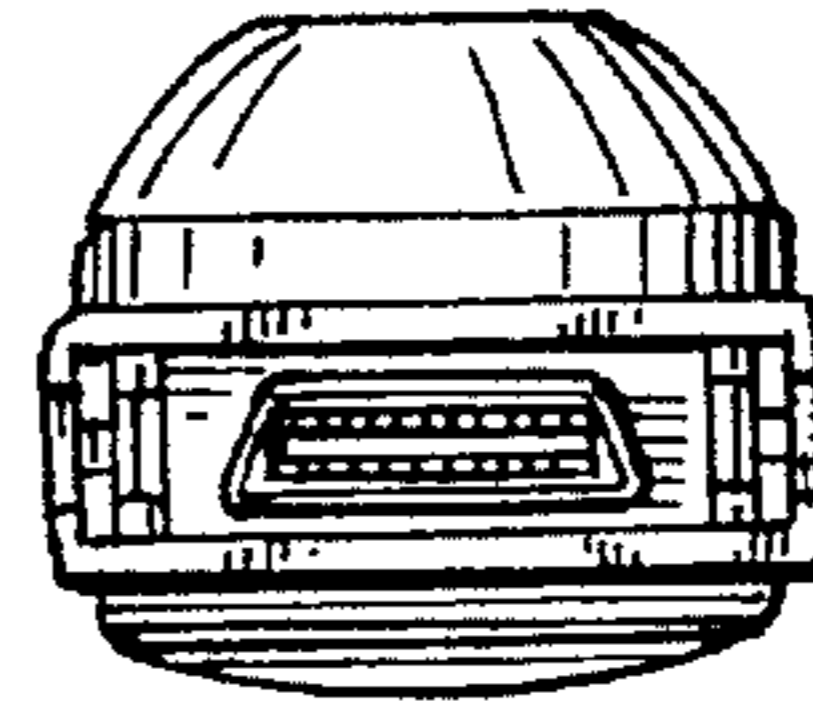


FIG. 5

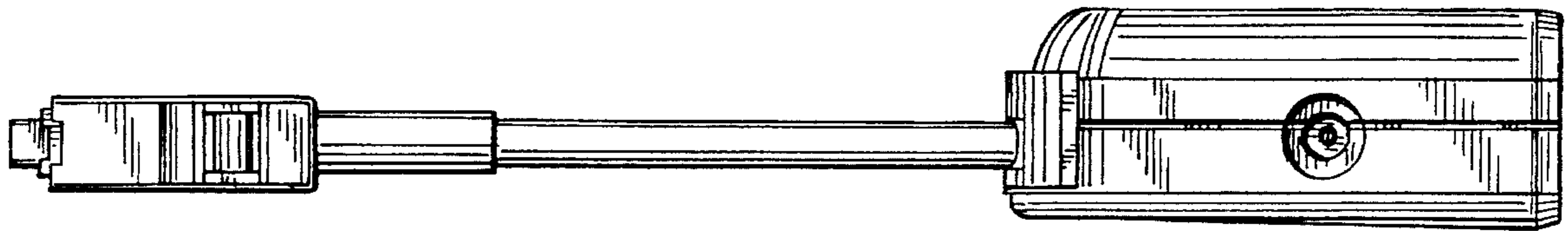


FIG. 6

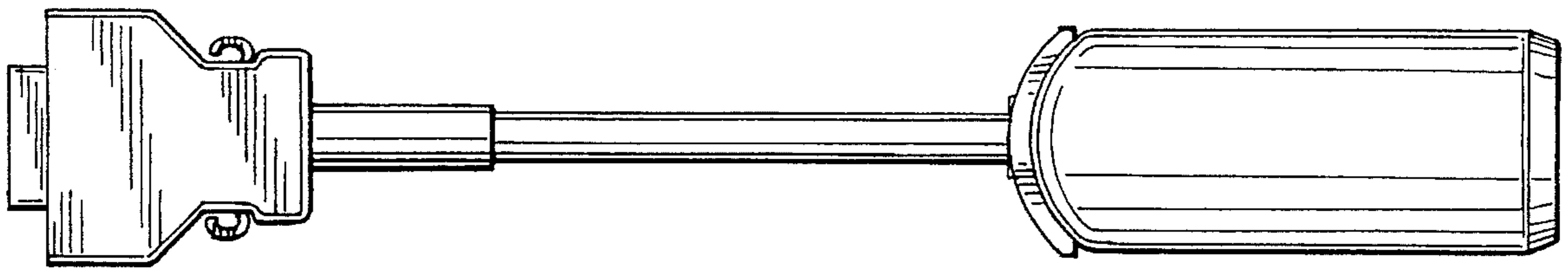


FIG. 7