



US00D363699S

United States Patent [19]
Mountfort

[11] **Patent Number: Des. 363,699**

[45] **Date of Patent: **Oct. 31, 1995**

[54] **BATTERY TERMINAL CLAMP**

5,254,020 10/1993 Obligar 439/755

[76] Inventor: **Stephen L. Mountfort**, P.O. Box 1631,
McCall, Id. 83638

Primary Examiner—Joel Sincavage
Attorney, Agent, or Firm—James A. Hudak

[**] Term: **14 Years**

[57] **CLAIM**

[21] Appl. No.: **28,589**

The ornamental design for a battery terminal clamp, as shown and described.

[22] Filed: **Sep. 26, 1994**

DESCRIPTION

[52] U.S. Cl. **D13/120**

[58] Field of Search D13/120; 439/755,
439/761, 772, 773

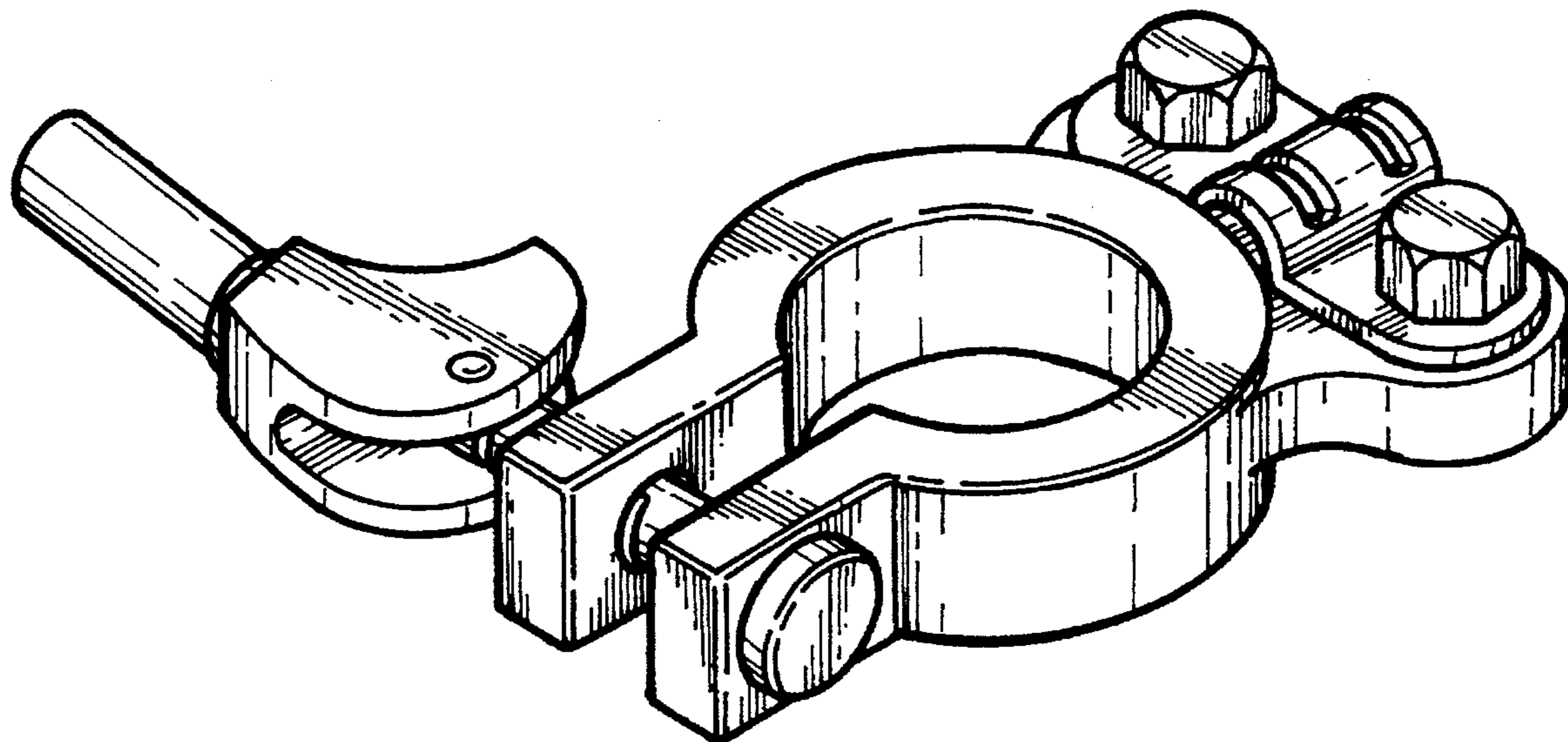
FIG. 1 is a perspective view of the battery terminal clamp showing my new design;
FIG. 2 is a front elevational view thereof;
FIG. 3 is a rear elevational view thereof;
FIG. 4 is a left side elevational view thereof;
FIG. 5 is a right side elevational view thereof;
FIG. 6 is a top plan view thereof; and,
FIG. 7 is a bottom plan view thereof.

[56] **References Cited**

U.S. PATENT DOCUMENTS

D. 345,544	3/1994	Walters	D13/120
1,814,156	7/1931	Hedges	439/773
1,977,179	10/1934	Fisch	439/761
3,529,281	9/1970	Martinez et al.	439/761 X

1 Claim, 4 Drawing Sheets



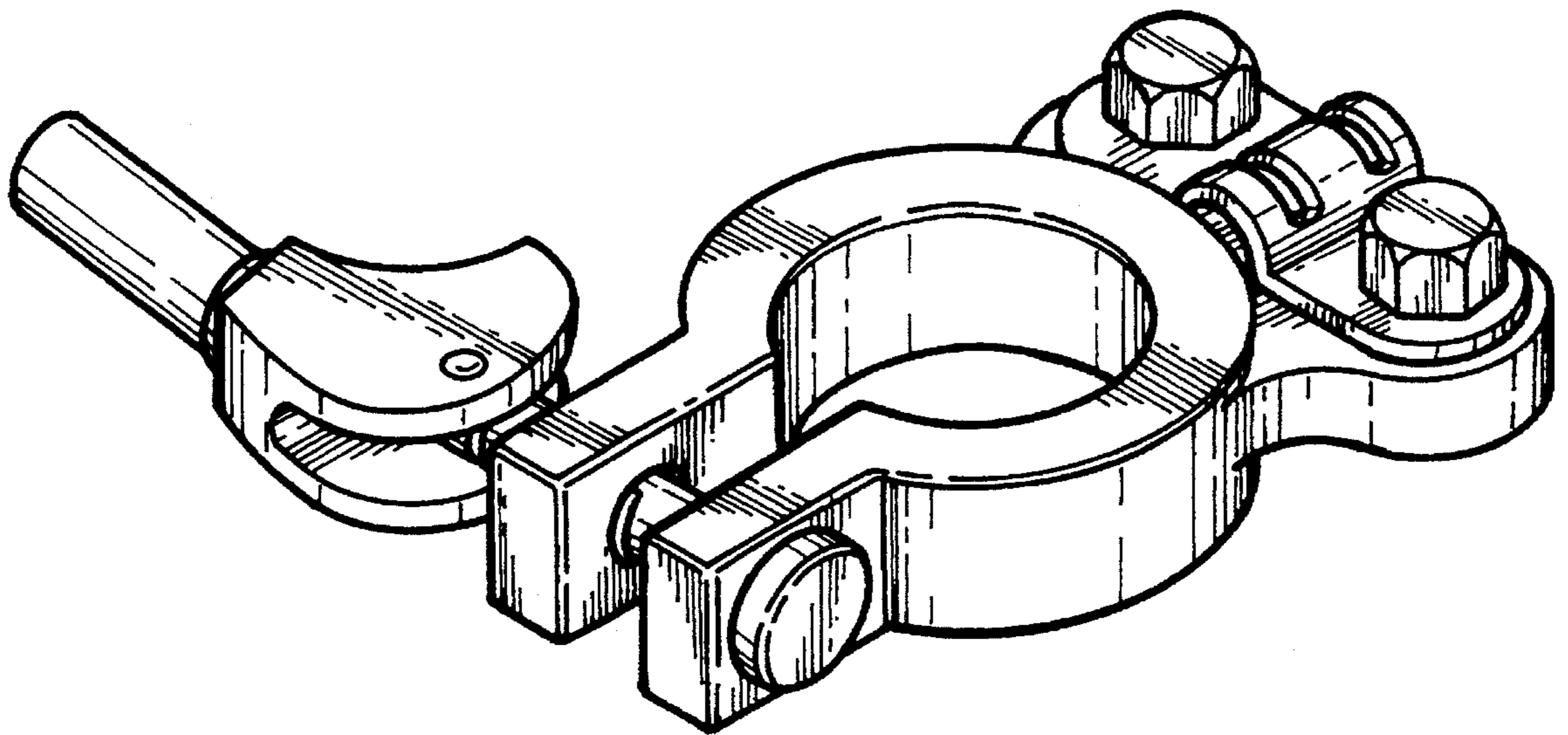


FIG. 1

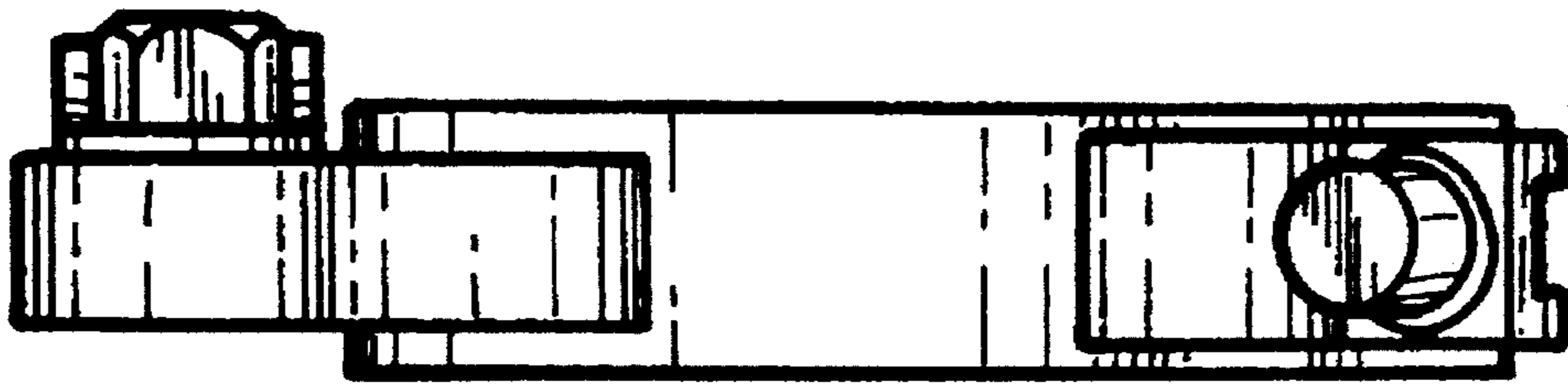


FIG. 3

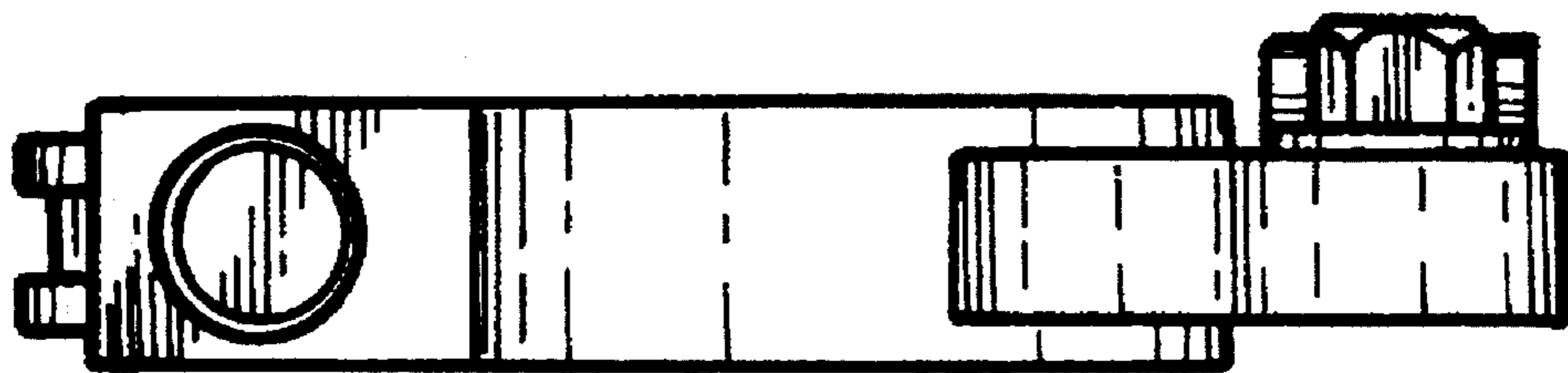


FIG. 2

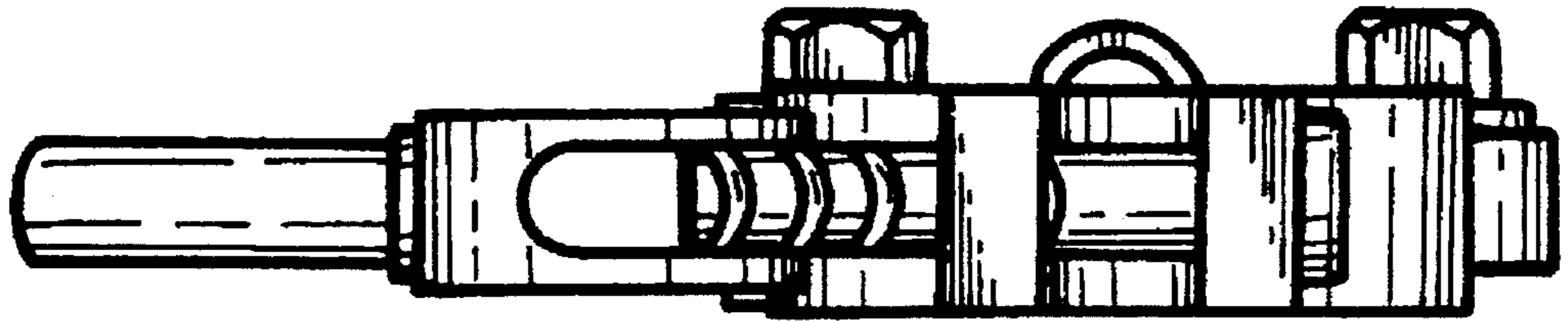


FIG. 4

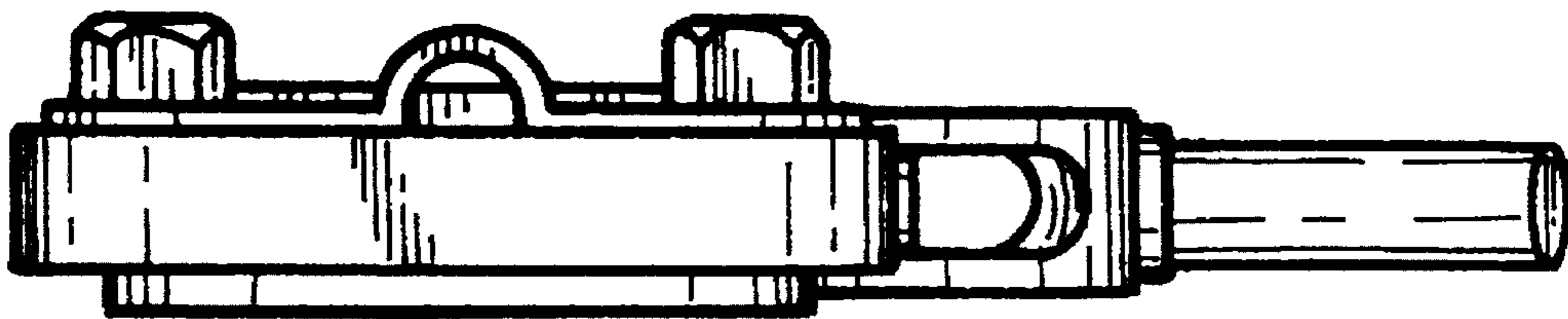


FIG. 5

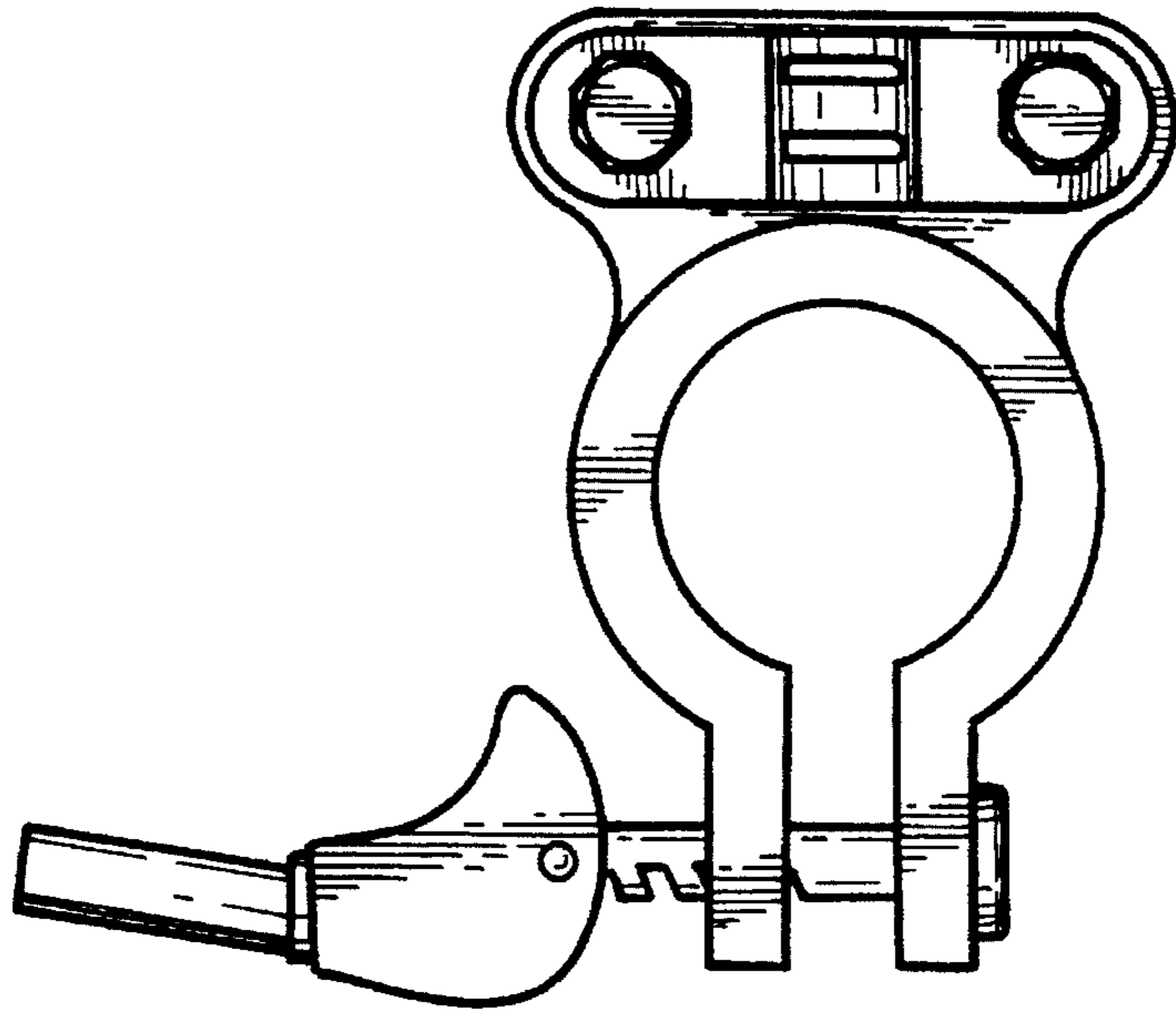


FIG. 6

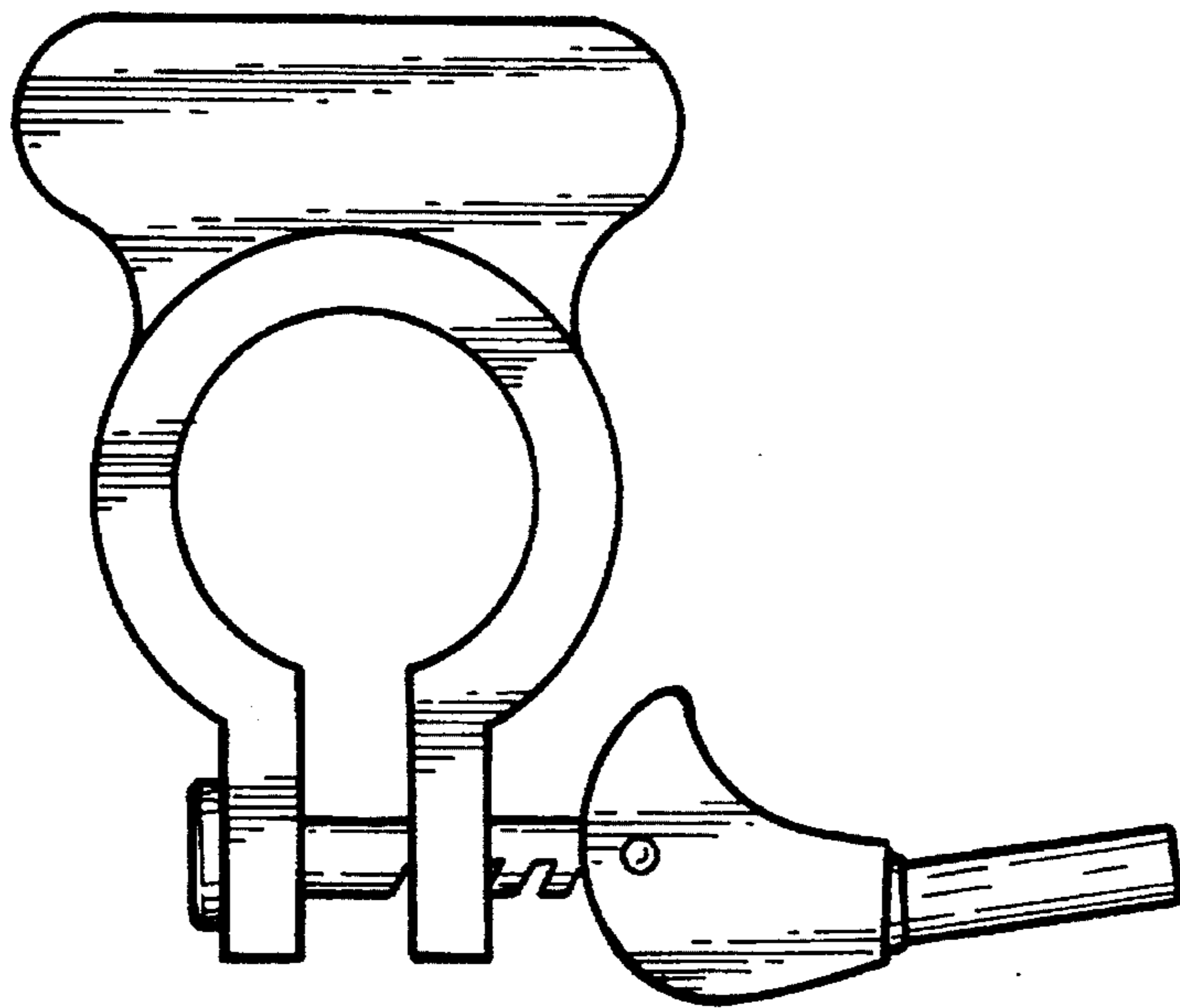


FIG. 7