



US00D363690S

United States Patent [19]
Gallon et al.

[11] **Patent Number: Des. 363,690**
[45] **Date of Patent: **Oct. 31, 1995**

[54] **BUCKLE FASTENER FOR SKI BOOTS**

5,383,258 1/1995 Nicoletti 24/70 SK
5,400,477 3/1995 Marega et al. 24/68 SK

[75] Inventors: **Denis Gallon**, Belluno; **Cristiano Benetti**, Paese, both of Italy

Primary Examiner—Ralf Seifert
Attorney, Agent, or Firm—Young & Thompson

[73] Assignee: **Lange International S.A.**, Fribourg, Switzerland

[57] **CLAIM**

[**] Term: **14 Years**

The ornamental design for a buckle fastener for ski boots, as shown.

[21] Appl. No.: **23,914**

DESCRIPTION

[22] Filed: **Jun. 2, 1994**

FIG. 1 is a perspective view of a buckle fastener for ski boots, showing our new design;
FIG. 2 is a top plan view thereof;
FIG. 3 is a side elevational view thereof from the right of FIG. 2;
FIG. 4 is a side elevational view thereof from the left of FIG. 2;
FIG. 5 is a bottom plan view thereof;
FIG. 6 is an end elevational view thereof from the top of FIG. 2; and,
FIG. 7 is an end elevational view thereof from the bottom of FIG. 2.

[30] **Foreign Application Priority Data**

Dec. 10, 1993 [XH] Hague Agreement DMA/002380

[52] **U.S. Cl.** **D11/216**

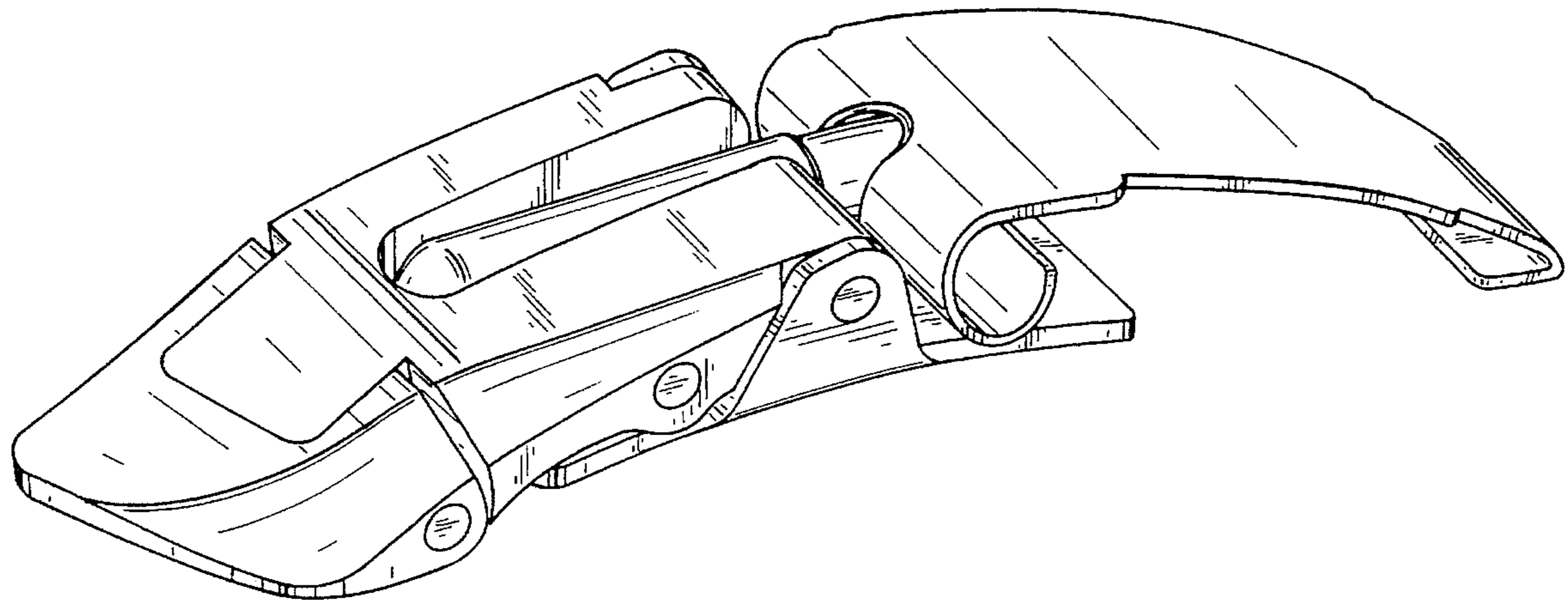
[58] **Field of Search** D11/200–218,
D11/220; 24/685, 68 SK, 70 SK, 68 R

[56] **References Cited**

U.S. PATENT DOCUMENTS

D. 284,900 8/1986 Chalmaro, II et al. D11/200
4,470,175 9/1984 Chiarella 24/70 SK
4,893,384 1/1990 Bidoia et al. 24/70 SK

1 Claim, 3 Drawing Sheets



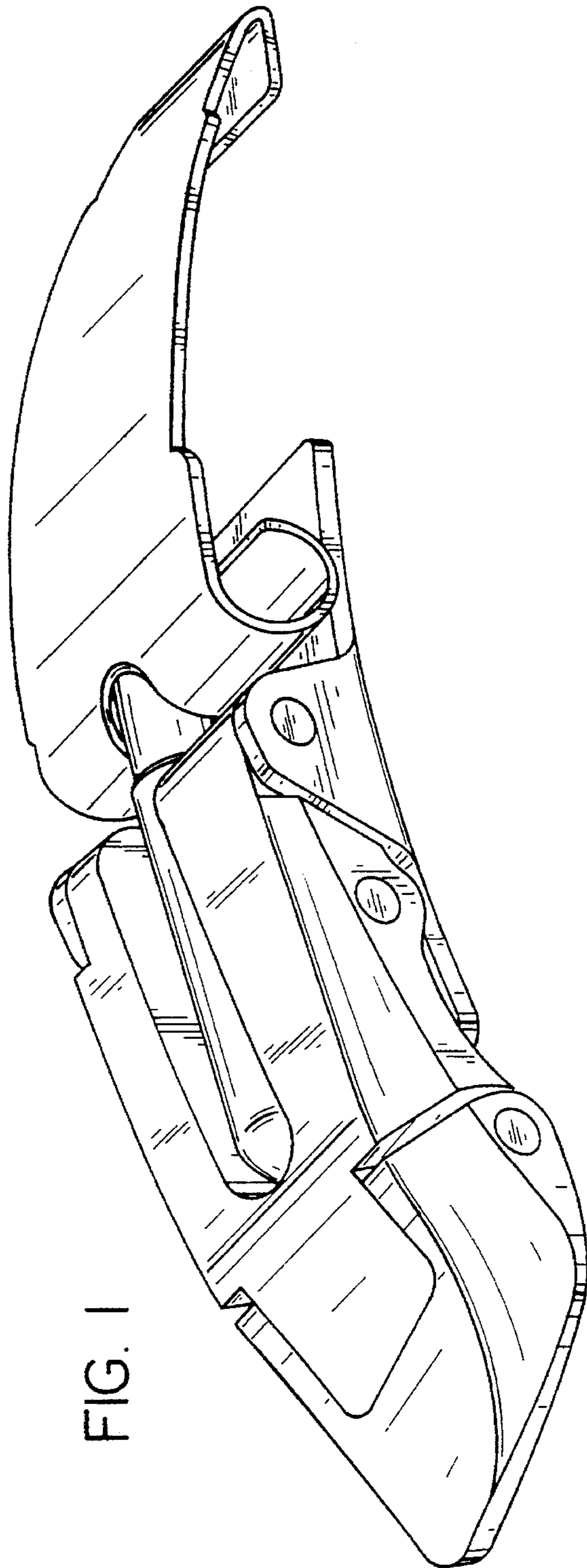
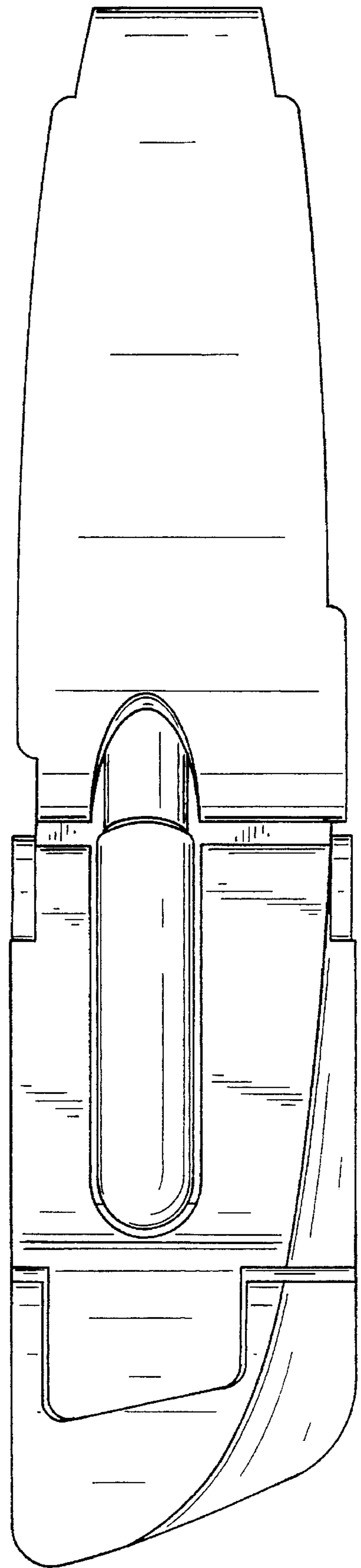


FIG. 1

FIG. 2



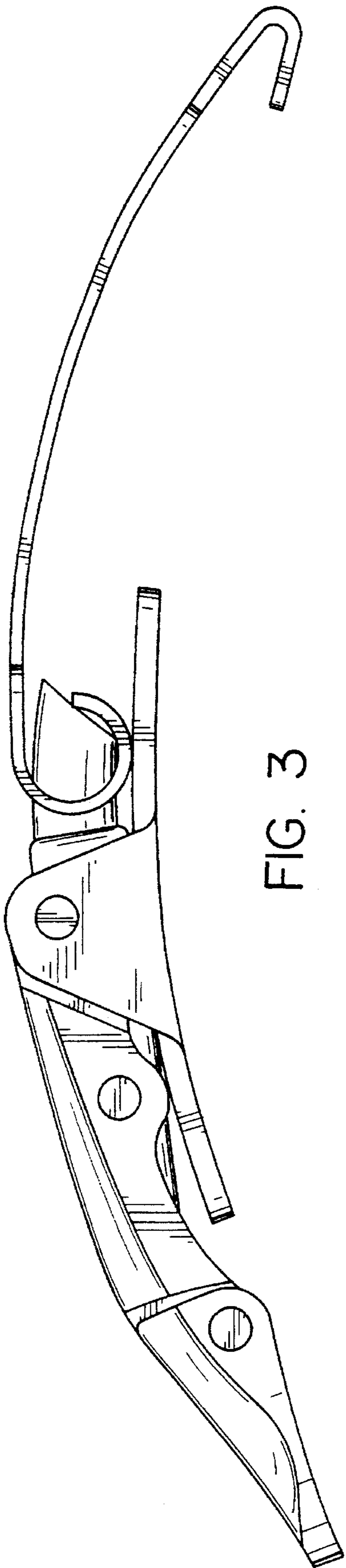


FIG. 3

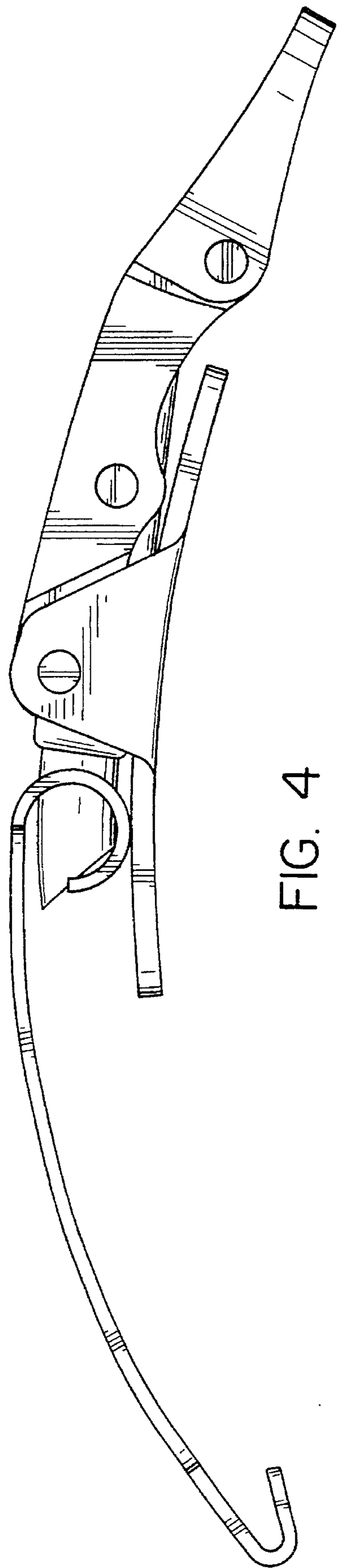


FIG. 4

FIG. 5

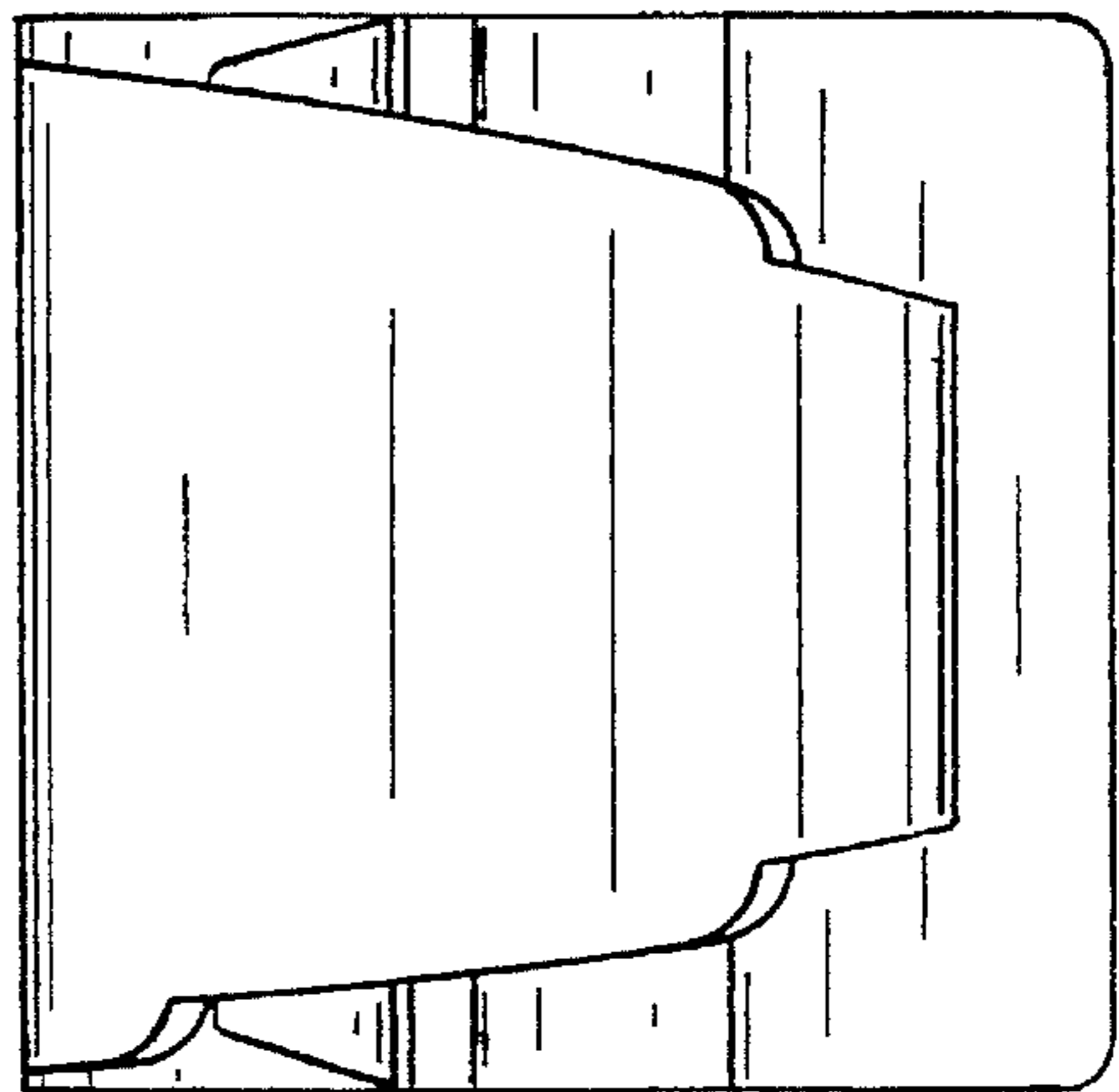
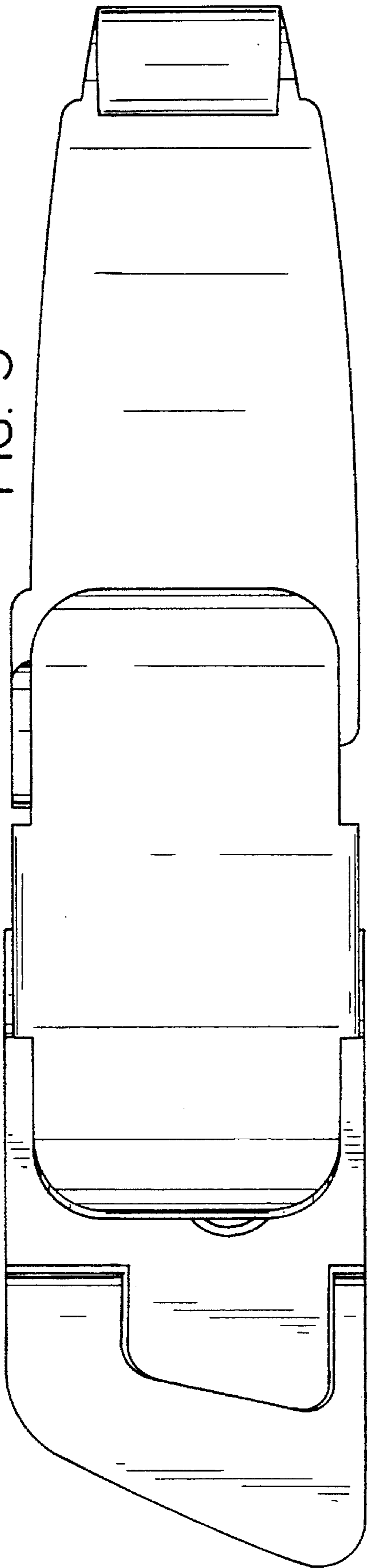


FIG. 6

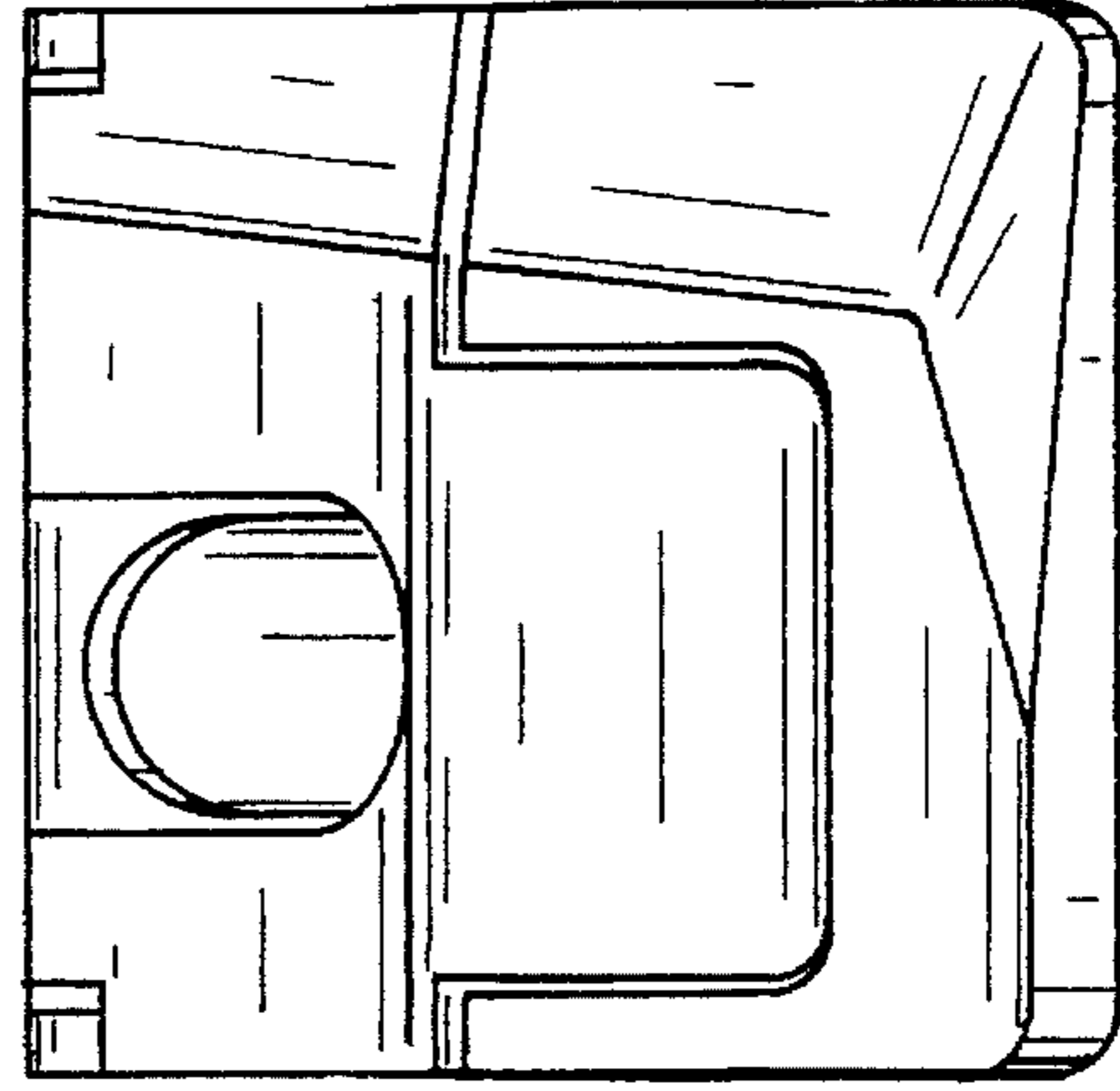


FIG. 7