



US00D363689S

United States Patent [19]

Vitalune et al.

[11] Patent Number: **Des. 363,689**

[45] Date of Patent: ****Oct. 31, 1995**

[54] **BOUQUET DISPLAY**

[76] Inventors: **Lillian R. Vitalune**, 3127 Bradbury Dr., Aliquippa, Pa. 15001; **Jill M. Jones**, 361 Beaver St., Leetsdale, Pa. 15056

[**] Term: **14 Years**

[21] Appl. No.: **26,219**

[22] Filed: **Jul. 22, 1994**

[52] U.S. Cl. **D11/148; D11/152**

[58] Field of Search D11/152, 148; D8/72, 73, 74; 248/27.8, 225.31, 214, 215, 231.7, 311.2; D6/556; 211/33; 47/41.01, 41.1, 41.12, 39 C, 44 W

[56] **References Cited**

U.S. PATENT DOCUMENTS

D. 176,018	11/1955	Hofer	D8/73
D. 305,299	1/1990	Freeman	248/27.8 X
D. 317,884	7/1991	Spicer .	
D. 342,434	12/1993	Glynn	D8/73
454,553	6/1891	Whitten	248/311.2 X
1,967,320	7/1934	Newman	47/41.01
2,896,896	7/1959	Revzin	D8/73 X
3,008,679	11/1961	Powell	211/33
3,164,343	1/1965	Cucullo	248/27.8
3,576,699	4/1971	Meyer .	
3,949,568	4/1976	Gallagher .	
3,997,152	12/1976	Sass et al.	D8/73 X

4,204,365	5/1980	Hirvi .	
4,739,582	4/1988	Cullinane	47/41.12
5,070,644	12/1991	Hasty .	
5,143,335	9/1992	Frankel	248/215

Primary Examiner—Alan P. Douglas
Assistant Examiner—Cathron B. Matta

[57] **CLAIM**

The ornamental design for the bouquet display, as shown and described.

DESCRIPTION

FIG. 1 is a front elevational view of the bouquet display showing our new design;
 FIG. 2 is a rear assembly view thereof, with the parts shown separately for clarity of illustration;
 FIG. 3 is a left side elevational view thereof;
 FIG. 4 is a right side elevational view thereof;
 FIG. 5 is a top plan view thereof; and,
 FIG. 6 is a bottom plan view thereof;
 FIG. 7 is a front elevational view of an alternative embodiment thereof;
 FIG. 8 is a rear assembly view thereof, with the parts shown separately for clarity of illustration;
 FIG. 9 is a left side elevational view thereof;
 FIG. 10 is a right side elevational view thereof;
 FIG. 11 is a top plan view thereof; and,
 FIG. 12 is a bottom plan view thereof.

1 Claim, 4 Drawing Sheets

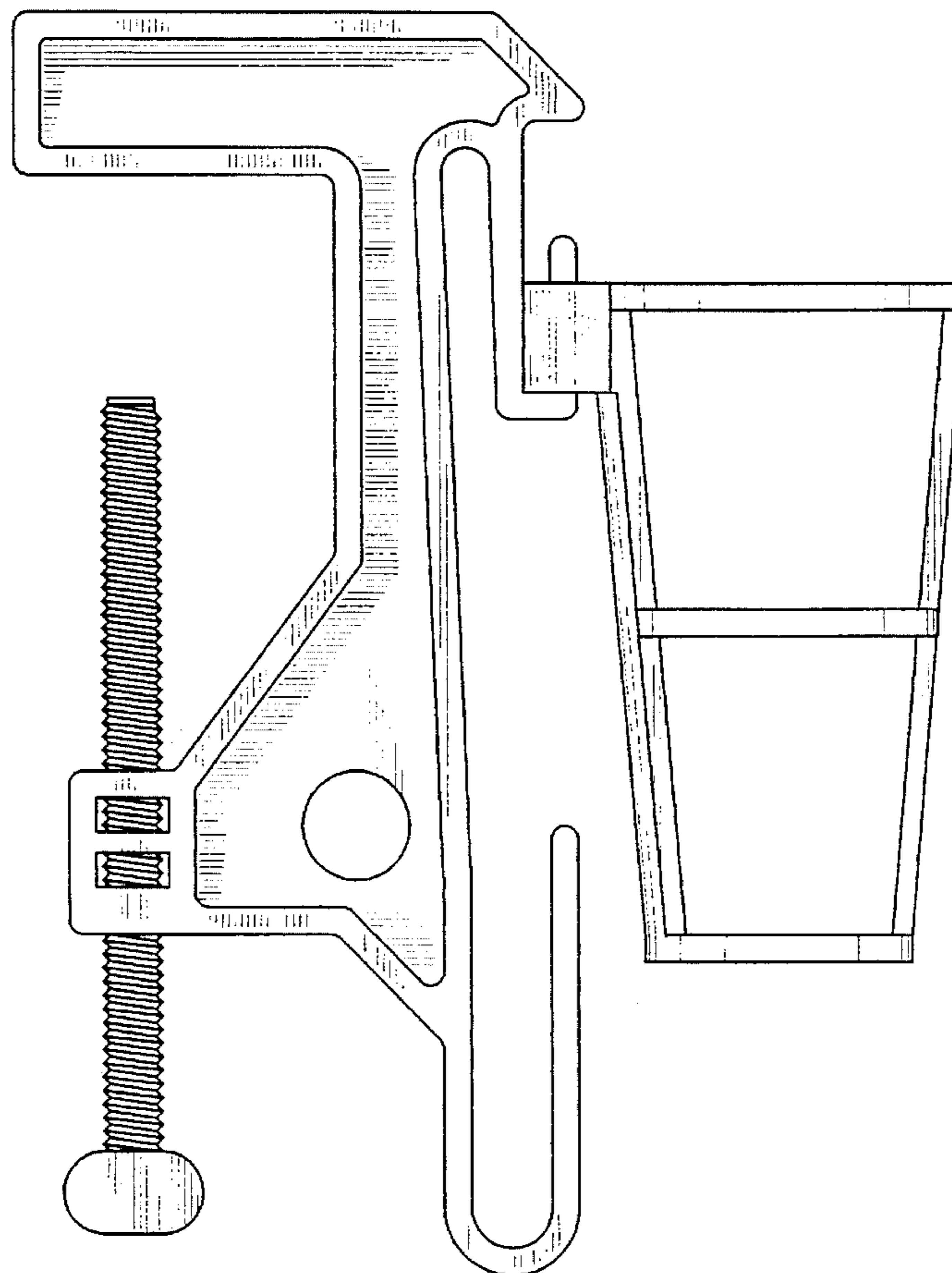


FIG. 1

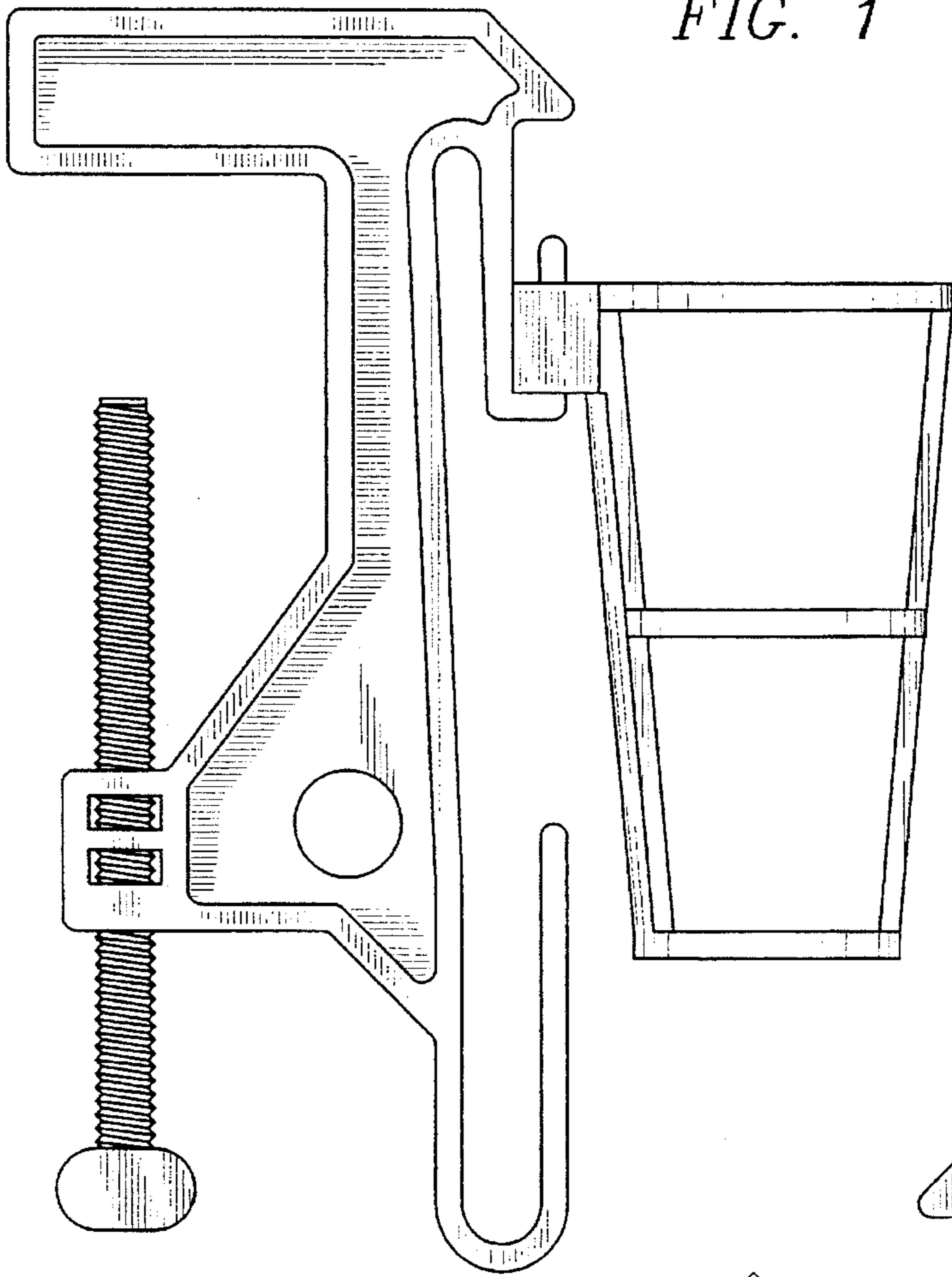


FIG. 2

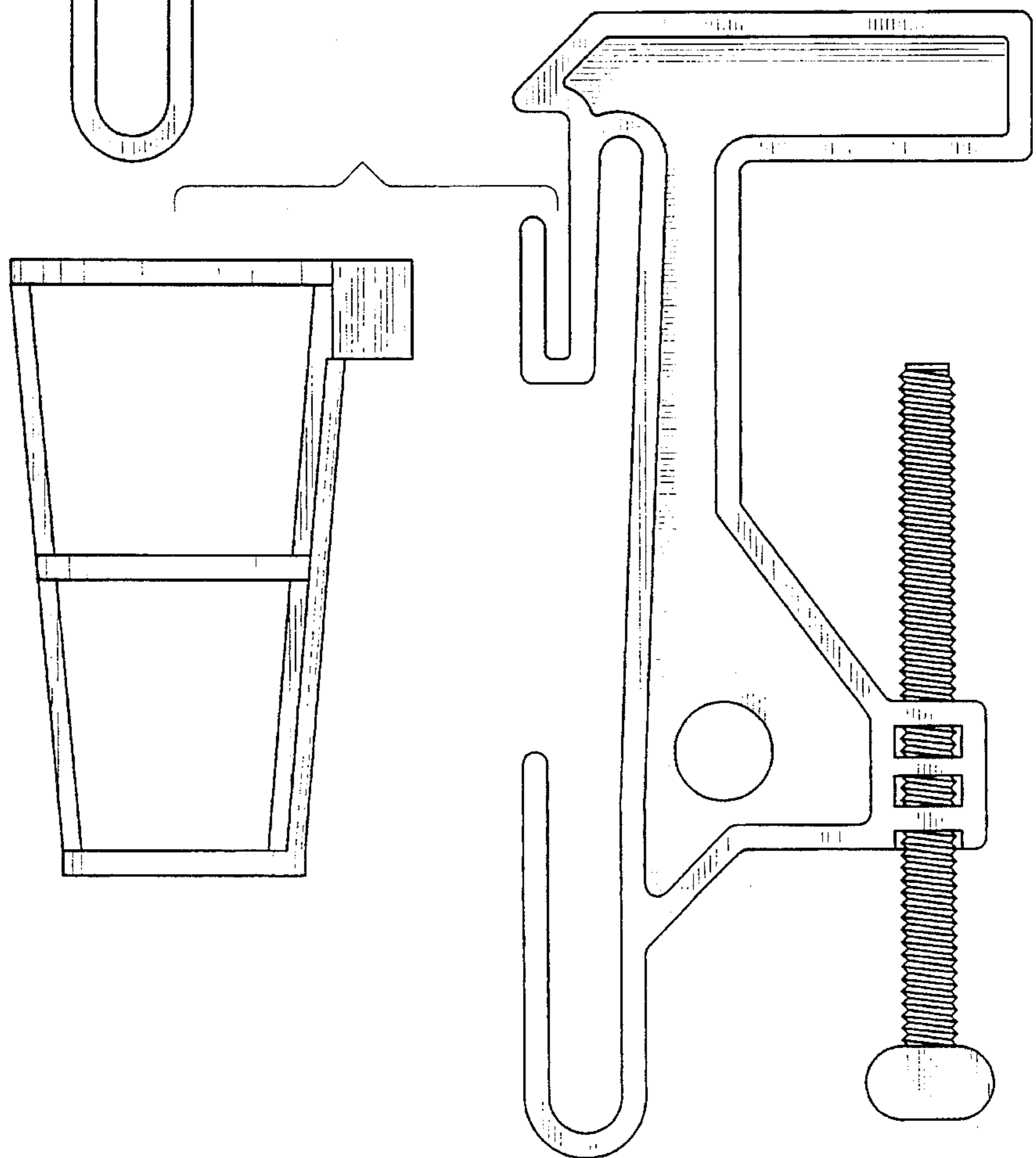


FIG. 3

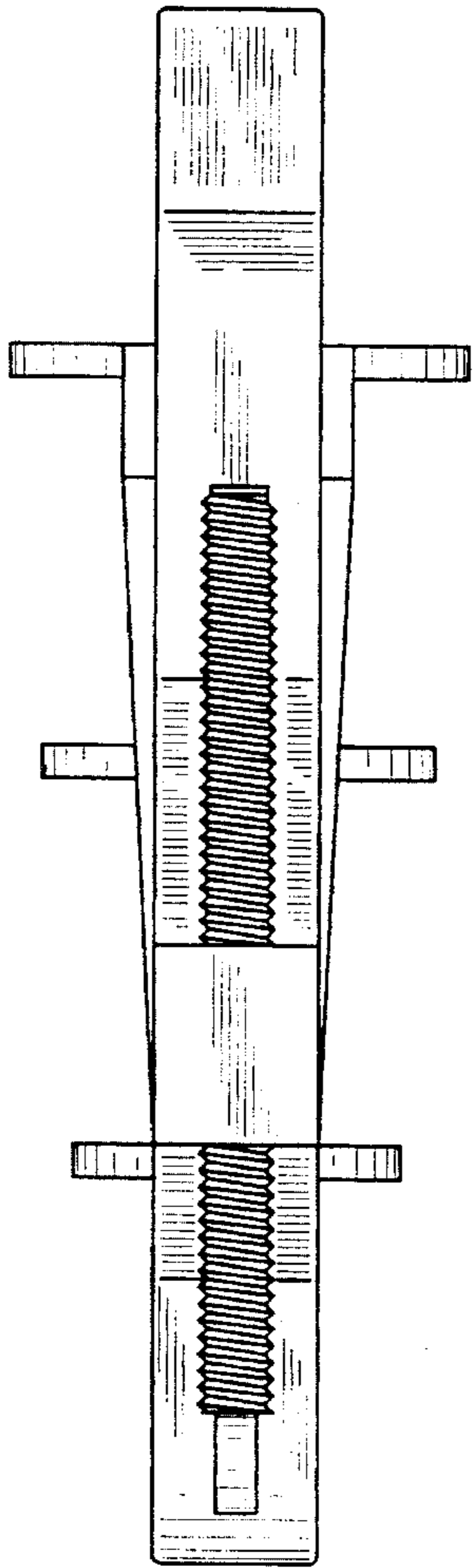


FIG. 4

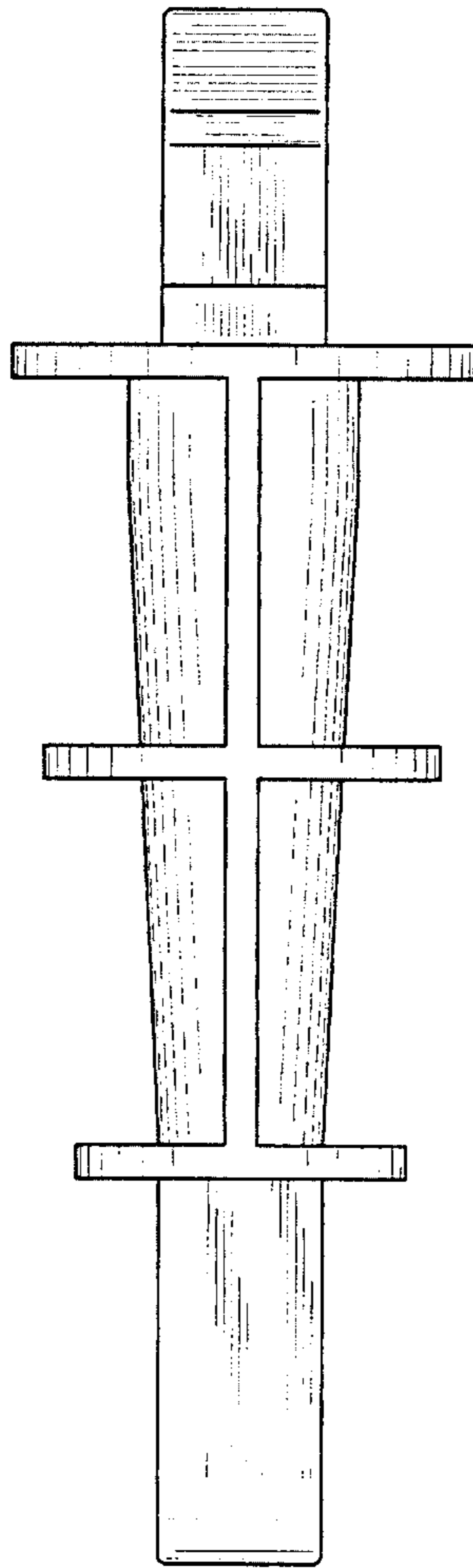


FIG. 5

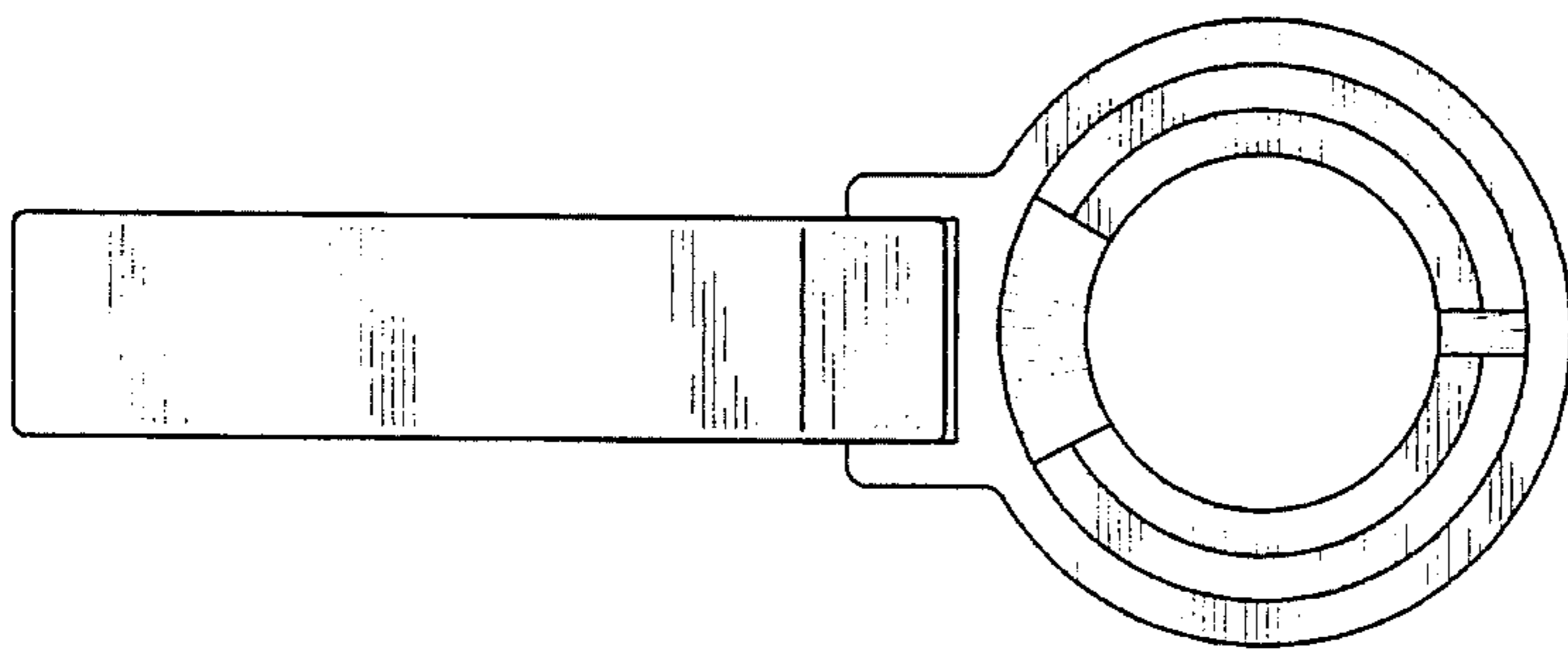


FIG. 6

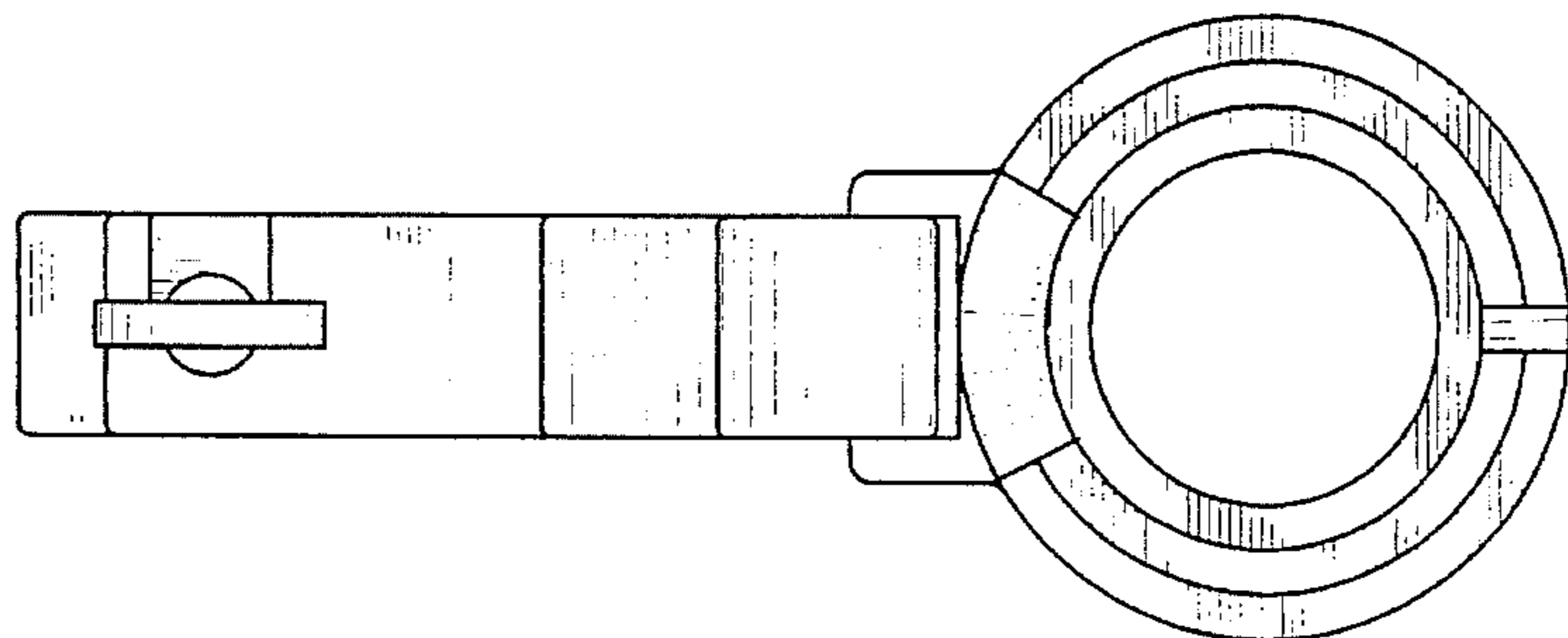


FIG. 7

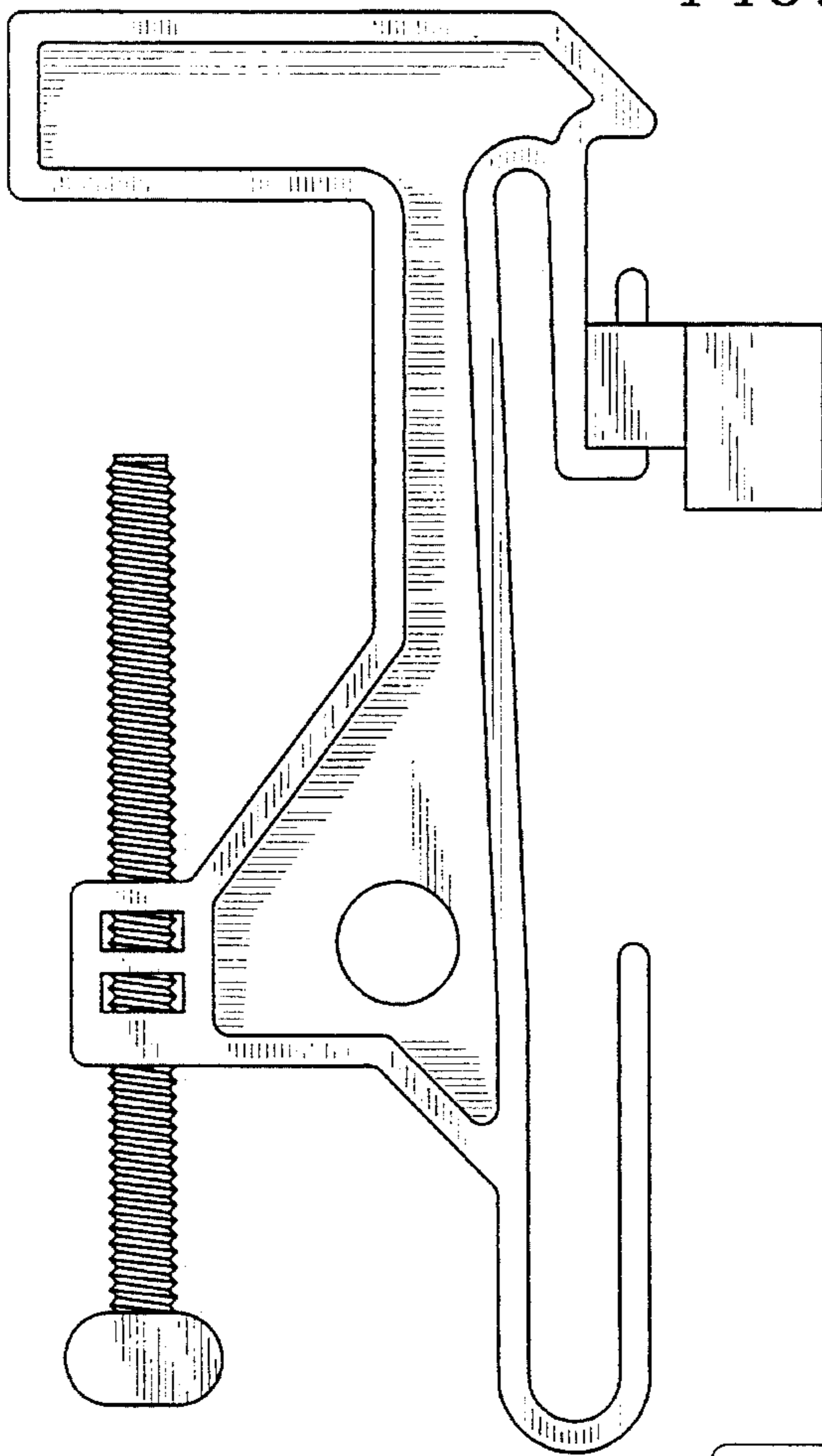


FIG. 8

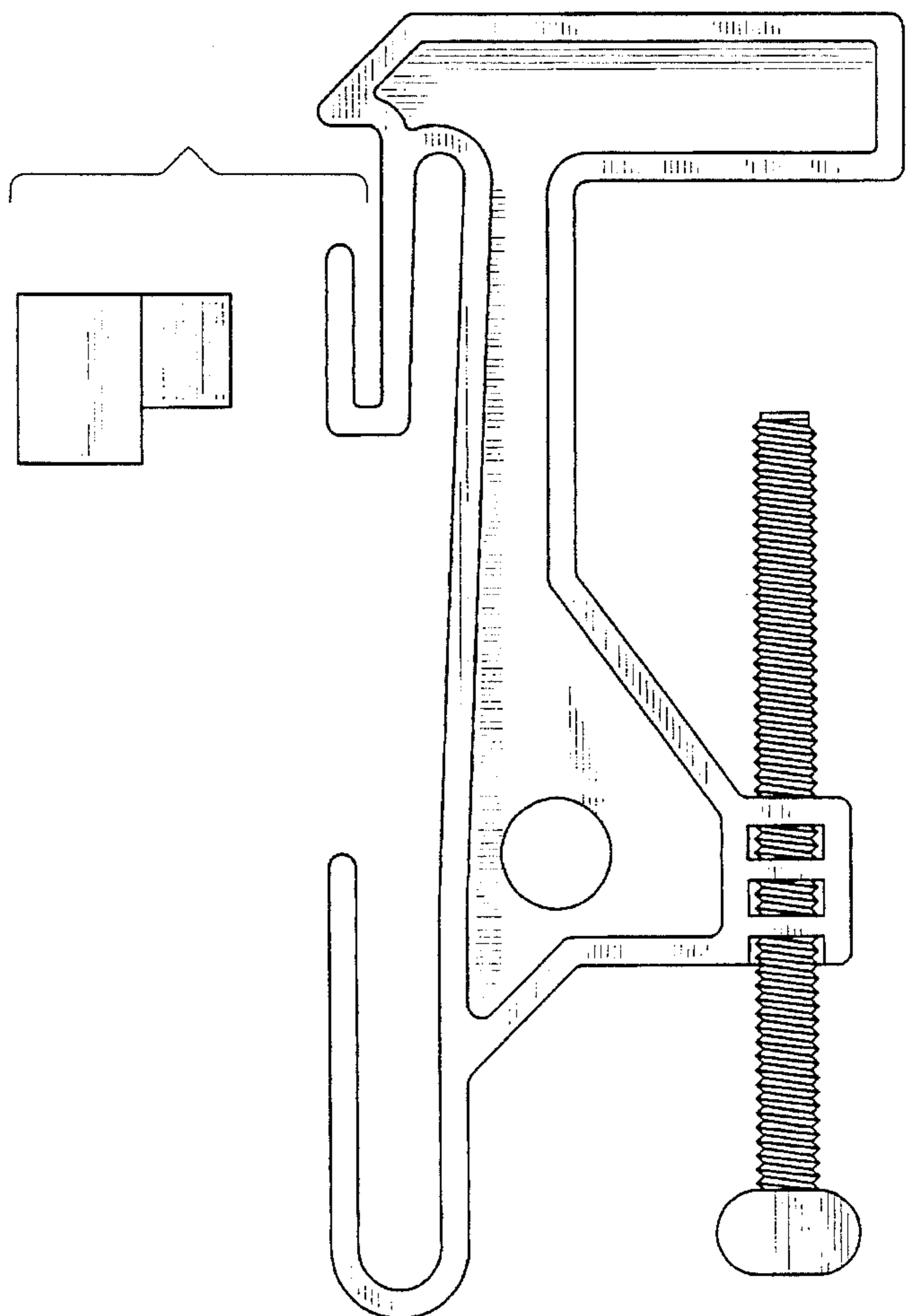


FIG. 9

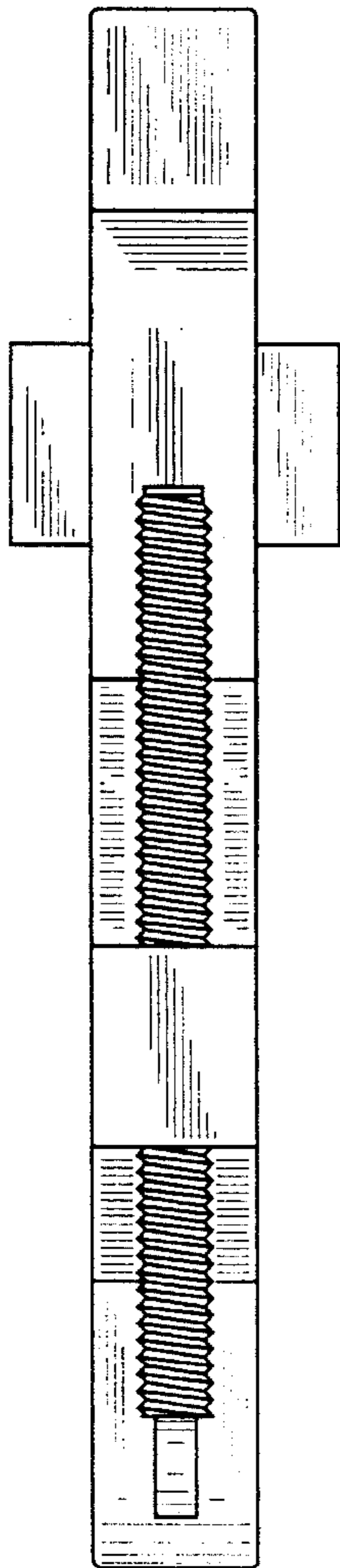


FIG. 10

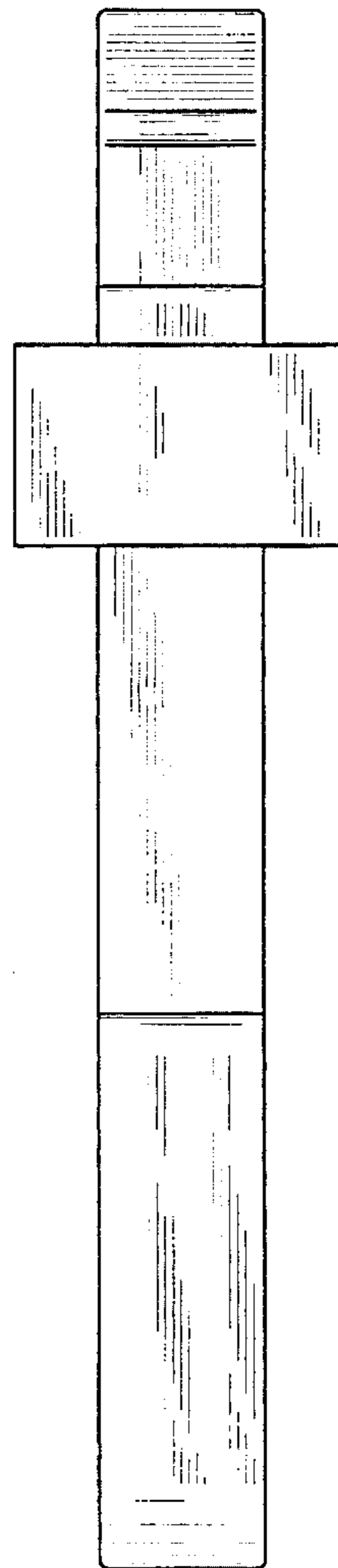


FIG. 11

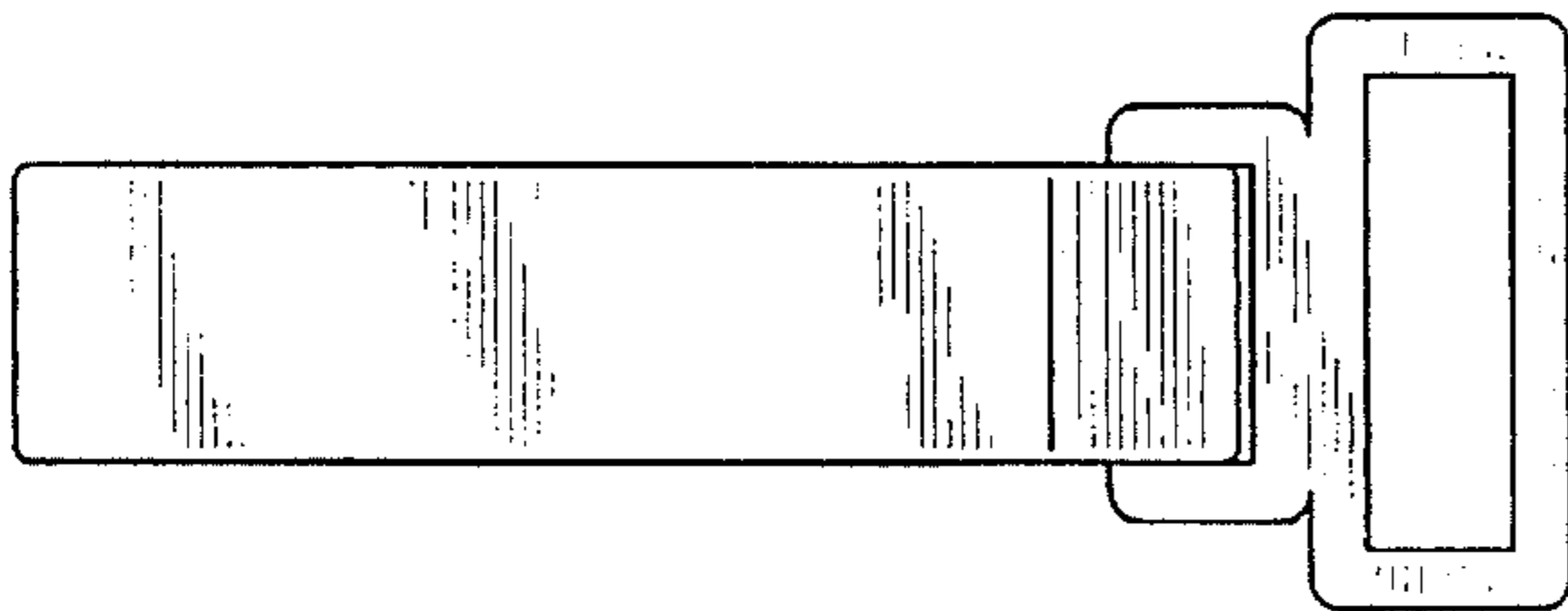


FIG. 12

