



US00D363685S

United States Patent [19]

[11] Patent Number: **Des. 363,685**

Miller et al.

[45] Date of Patent: ****Oct. 31, 1995**

[54] **DECORATIVE CHRISTMAS TREE LIGHTING APPARATUS**

3,674,612	7/1970	Gehl, Jr. .	
3,676,275	7/1972	Sloane	428/9
3,704,366	11/1972	Korb et al. .	
3,735,117	5/1973	Hunt .	
3,789,526	2/1974	Lavinson .	
3,819,459	6/1974	Wren .	
4,620,270	10/1986	Laakso .	
4,736,282	4/1988	Ahroni .	
4,746,022	5/1988	Benham .	
5,094,893	3/1992	Snider .	

[76] Inventors: **Donna R. Miller; Kenneth B. Miller,**
both of 7011 E. Avenida de Santiago,
Anaheim Hills, Calif. 92807

[**] Term: **14 Years**

[21] Appl. No.: **25,113**

[22] Filed: **Jun. 24, 1994**

[52] U.S. Cl. **D11/118; D11/121**

[58] Field of Search **D11/130.1, 117,**
D11/118, 121; D26/24, 93, 94; 428/7-9,
18; 362/123

Primary Examiner—Dominic Simone
Attorney, Agent, or Firm—Price, Gess & Ubell

[57] CLAIM

The ornamental design for a decorative Christmas tree lighting apparatus, as shown and described.

[56] References Cited

U.S. PATENT DOCUMENTS

D. 236,216	8/1975	Fred .	
D. 269,392	6/1983	Breen	D11/130.1
D. 288,074	2/1987	Vogel .	
D. 323,634	2/1992	Green .	
D. 325,358	4/1992	Johnson .	
D. 325,887	5/1992	Vodhanel, Jr. .	
D. 357,432	4/1995	Snodgrass	D11/118
1,778,597	10/1930	Herzog .	
2,806,938	9/1957	Henry .	
2,864,192	12/1958	Shoalts .	

DESCRIPTION

FIG. 1 is a perspective view of a decorative Christmas tree lighting apparatus showing our new design;
FIG. 2 is a top plan view thereof;
FIG. 3 is a bottom plan view thereof;
FIG. 4 is a front elevational view thereof;
FIG. 5 is a rear elevational view thereof; and,
FIG. 6 is a right side elevational view thereof, the left side being a mirror image.

1 Claim, 6 Drawing Sheets

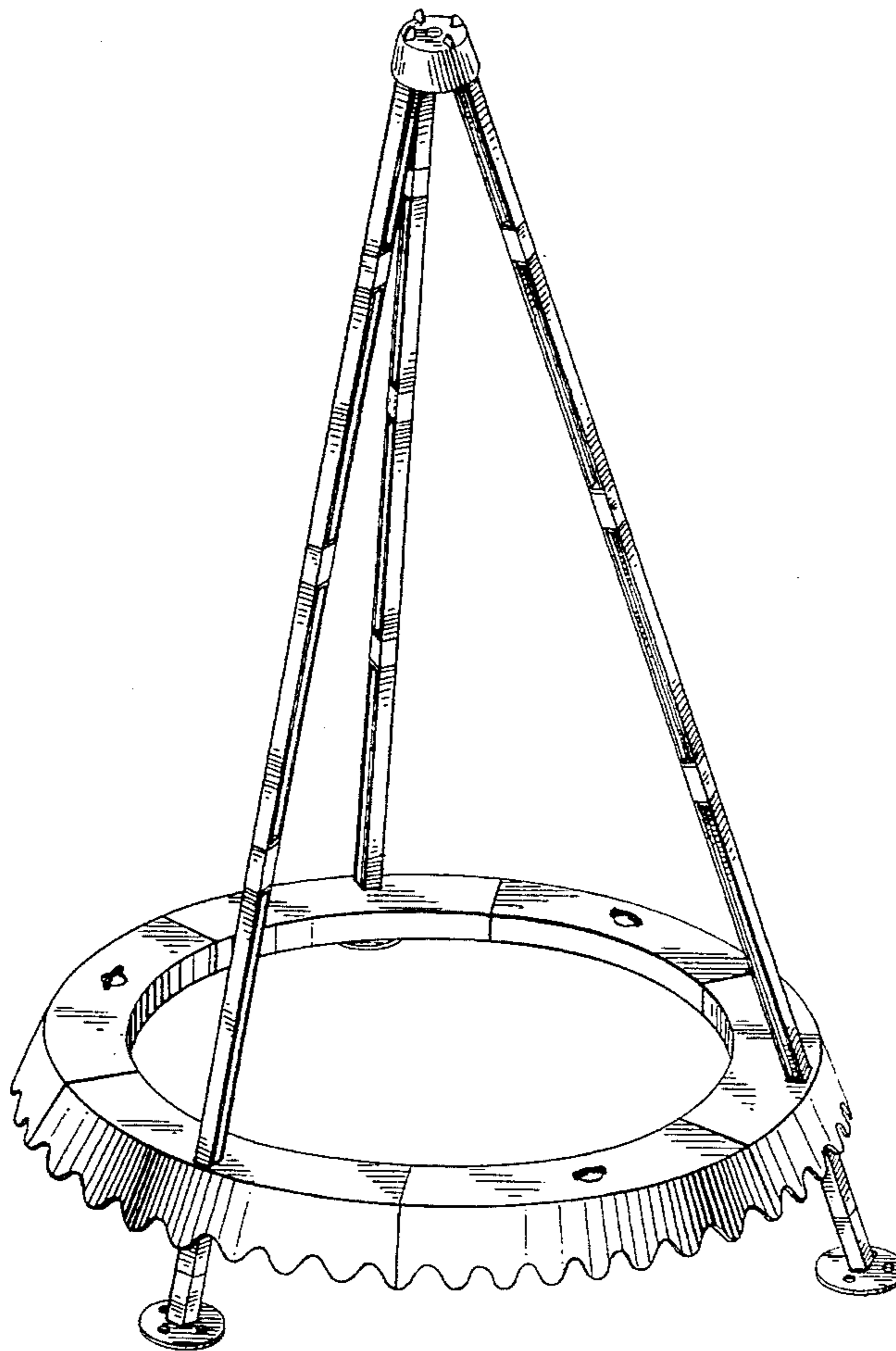
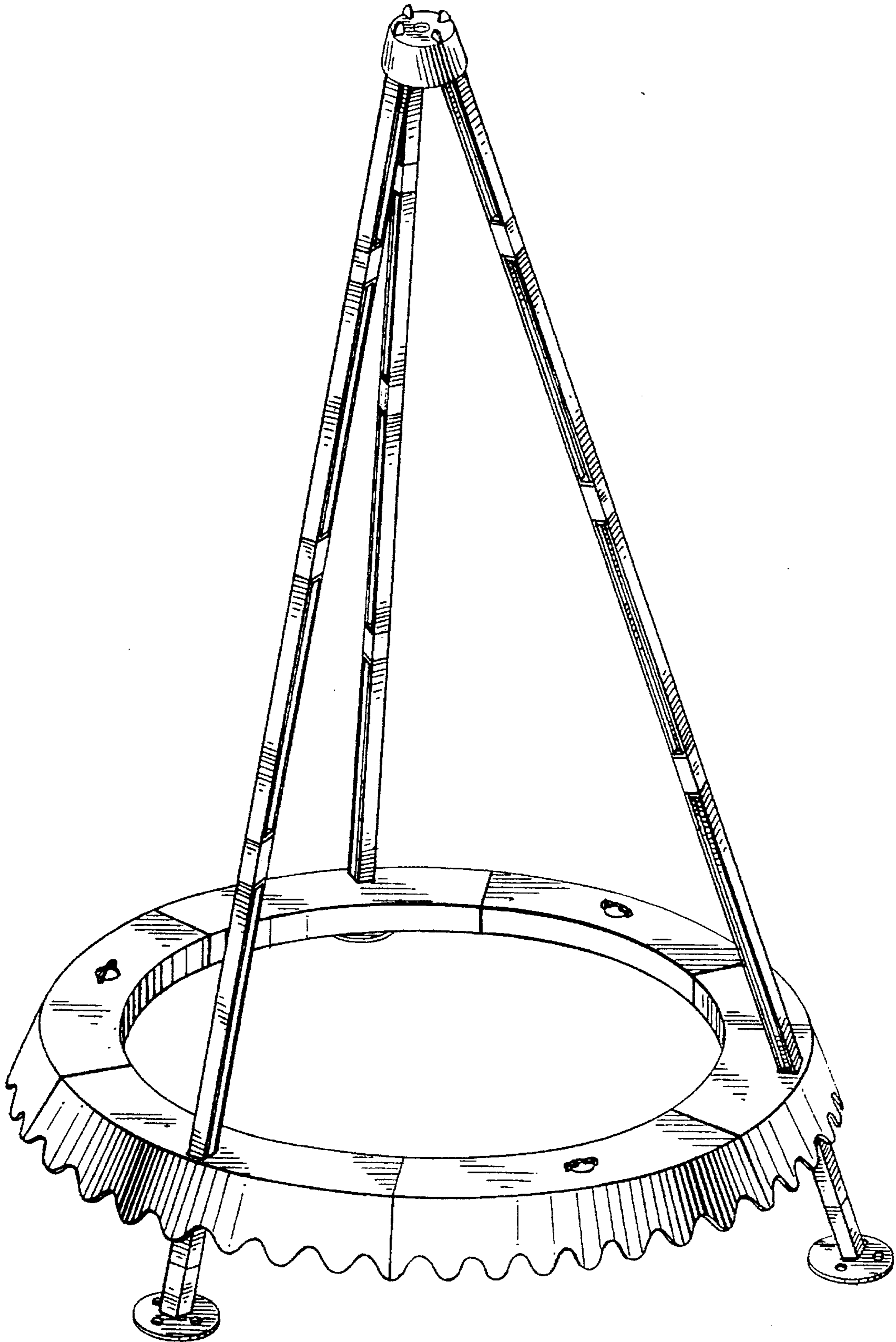


FIG. 1



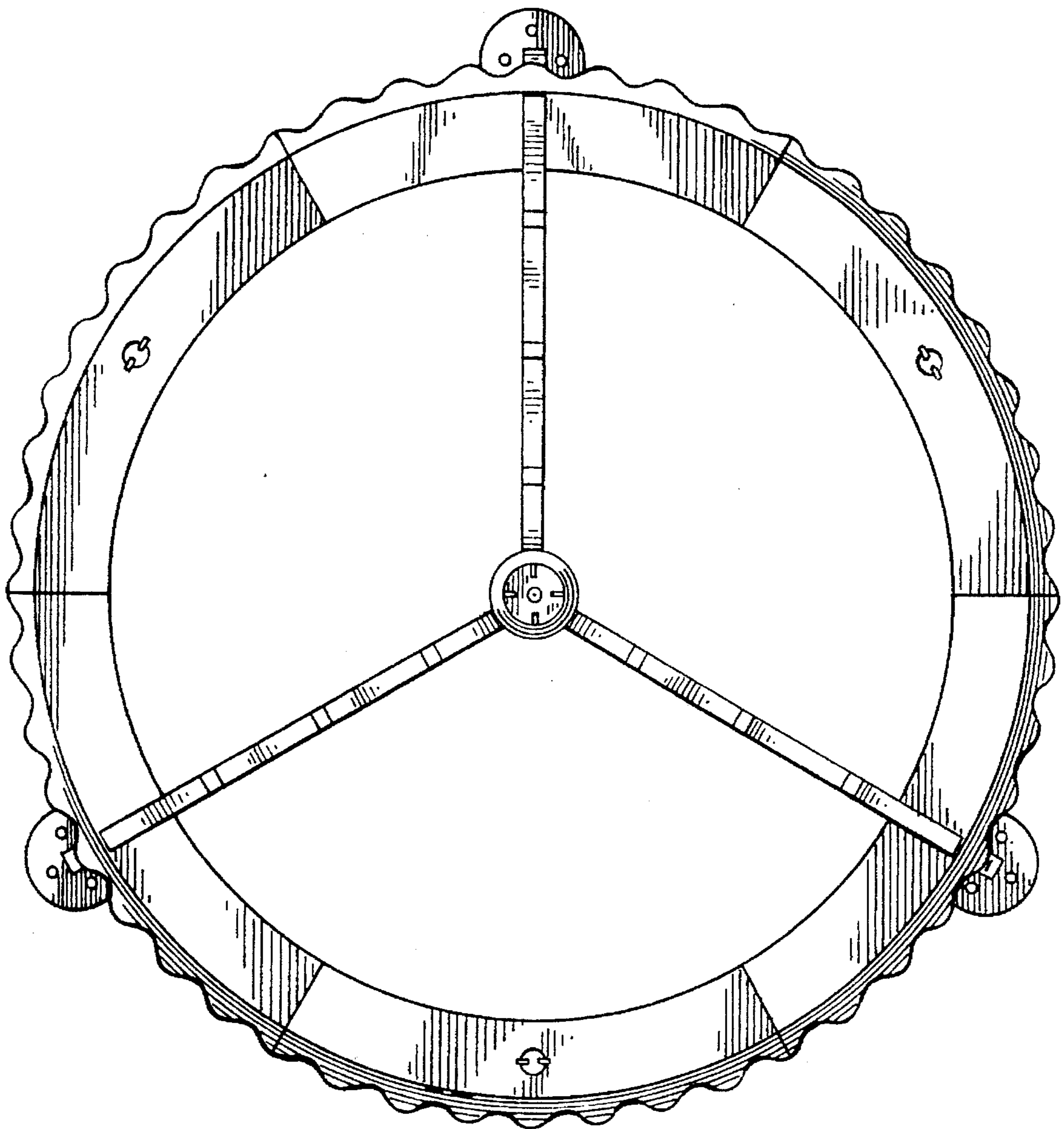


FIG. 2

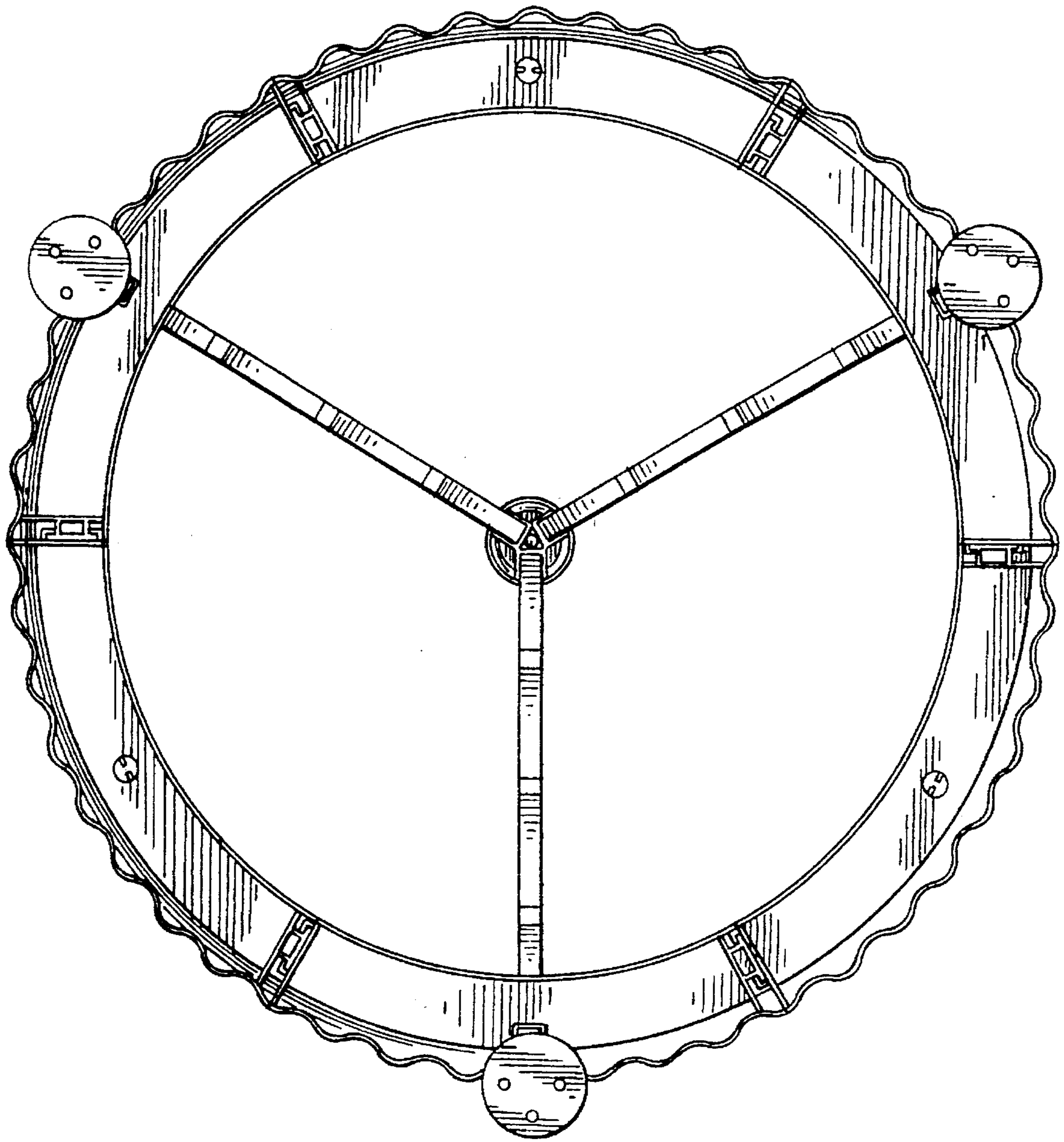


FIG. 3

FIG. 4

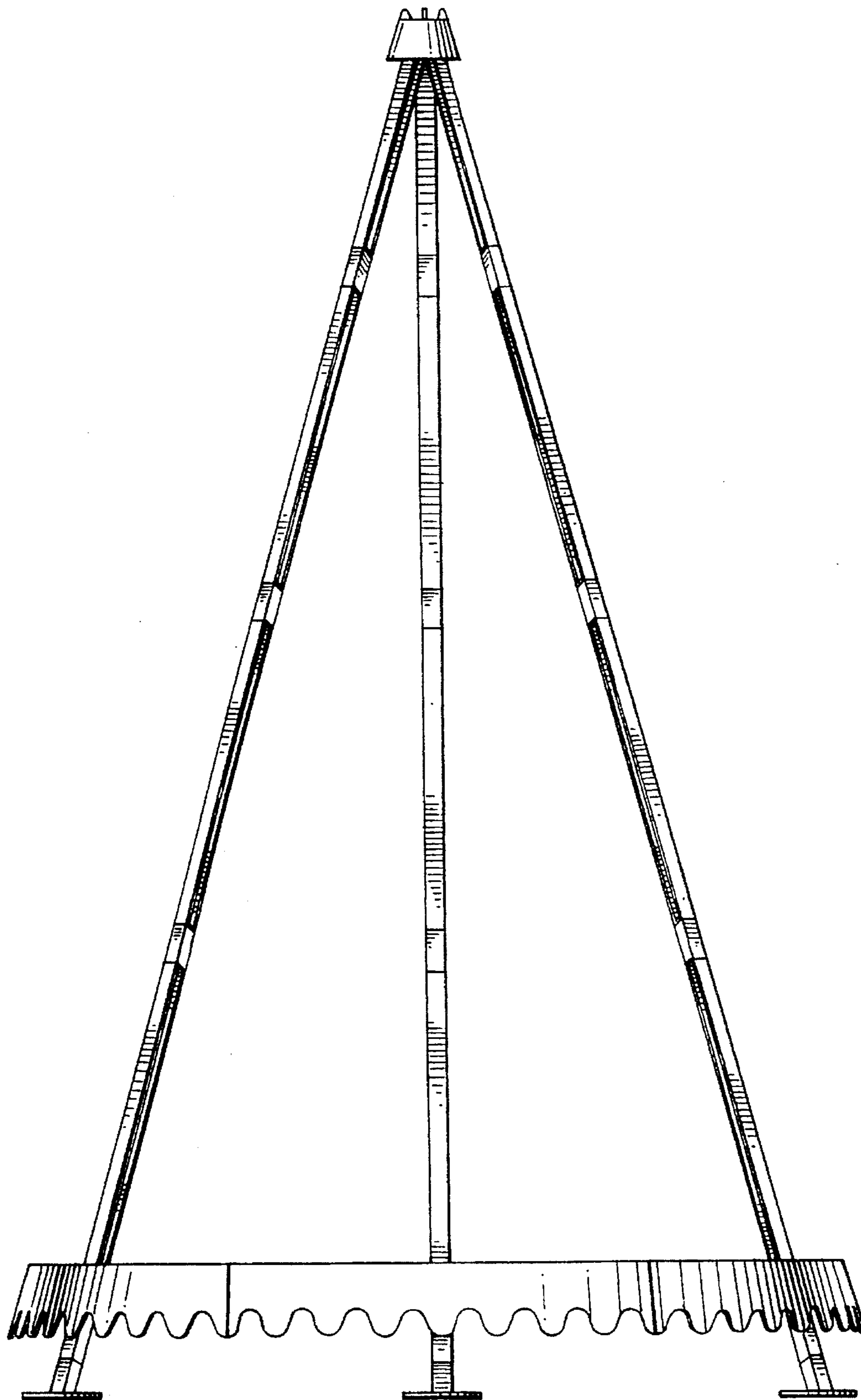


FIG. 5

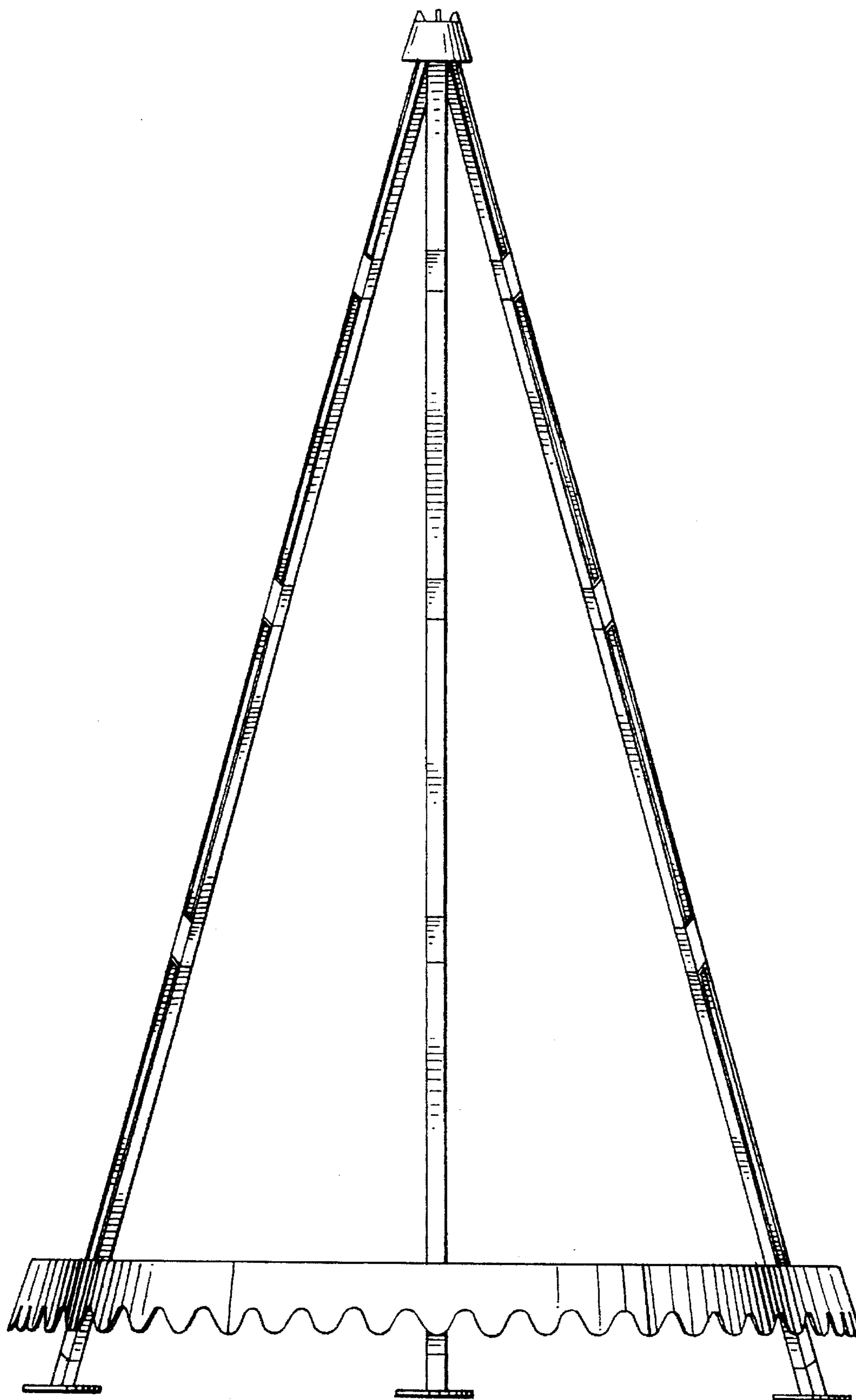


FIG. 6

