



US00D363683S

United States Patent [19]

[11] Patent Number: **Des. 363,683**

Spurgeon et al.

[45] Date of Patent: ****Oct. 31, 1995**

[54] PIN BACK FOR EARRING

[76] Inventors: **Dianna L. Spurgeon; D. Scott Spurgeion**, both of 330 W. 1st., Mountain Grove, Mo. 65711; **Shirley D. Hart; William T. Hart**, both of The Cambridge, Courtyard Center, Springfield, Mo. 65804

4,631,929	12/1986	Hollingworth .	
4,686,837	8/1987	Carre .	
4,928,367	5/1990	Seidman .	
5,018,365	5/1991	Luceno .	
5,044,175	9/1991	Razza .	
5,076,072	12/1991	Payne .	
5,154,068	10/1992	DiDomenico	63/12
5,170,641	12/1992	DiDomenico .	

[**] Term: **14 Years**

Primary Examiner—Ralf T. Seifert
Attorney, Agent, or Firm—Polster, Lieder, Woodruff & Lucchesi

[21] Appl. No.: **23,584**

[22] Filed: **May 31, 1994**

[52] U.S. Cl. **D11/88**

[58] Field of Search D11/1-2, 40-88;
63/1.1, 12, 20; 24/711.1, 705, 706.9, 453

[57] CLAIM

The ornamental design for pin back for earring, as shown and described.

DESCRIPTION

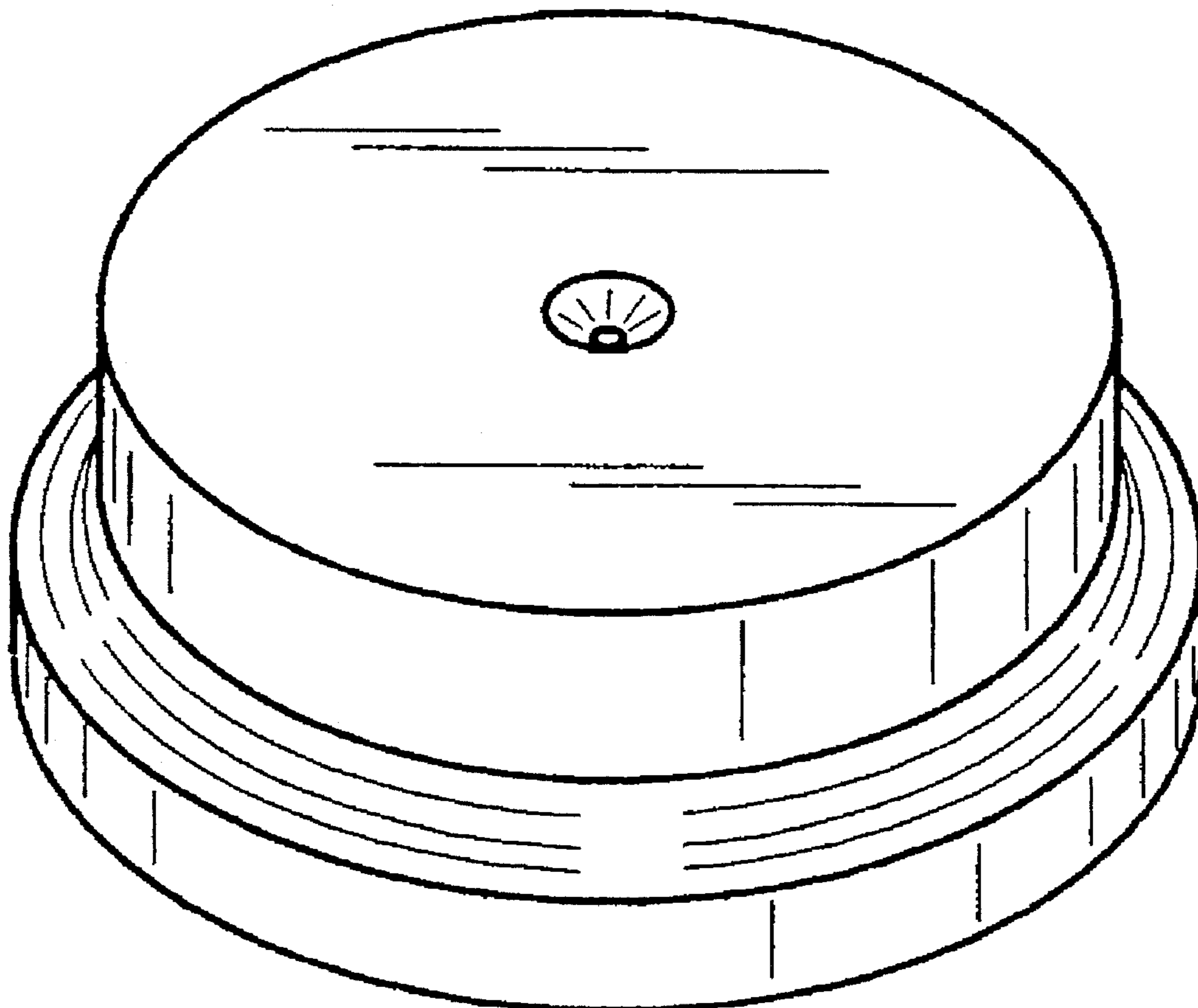
FIG. 1 is a view in perspective of a pin back for mounting an earring showing my new design;
FIG. 2 is a top plan view thereof;
FIG. 3 is a view in right side elevation thereof, the left side elevation being a mirror image thereof;
FIG. 4 is a bottom plan view thereof; and,
FIG. 5 is a sectional view taken along the line 5—5 of FIG. 2.

[56] References Cited

U.S. PATENT DOCUMENTS

D. 248,458	7/1978	Gatof et al.	D11/88
D. 259,170	5/1981	Russell	D11/88
D. 311,078	10/1990	Holladay et al.	D3/61
D. 319,201	8/1991	Aoki	D11/220
3,698,044	10/1972	Chernow .	
4,292,715	10/1981	Huddon .	
4,501,050	2/1985	Fountoulakis	63/12
4,574,595	3/1986	Moody .	

1 Claim, 1 Drawing Sheet



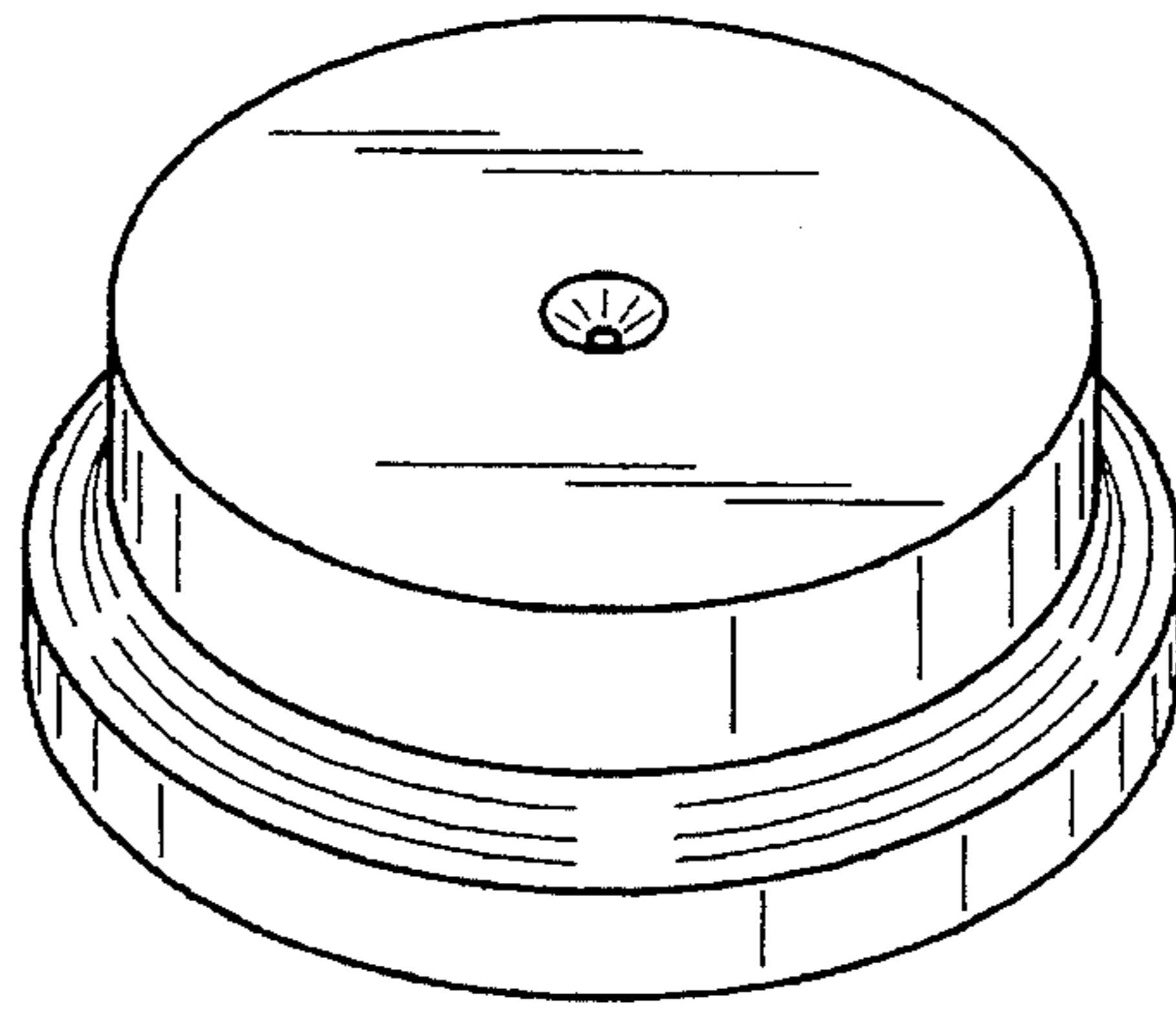


FIG. 1

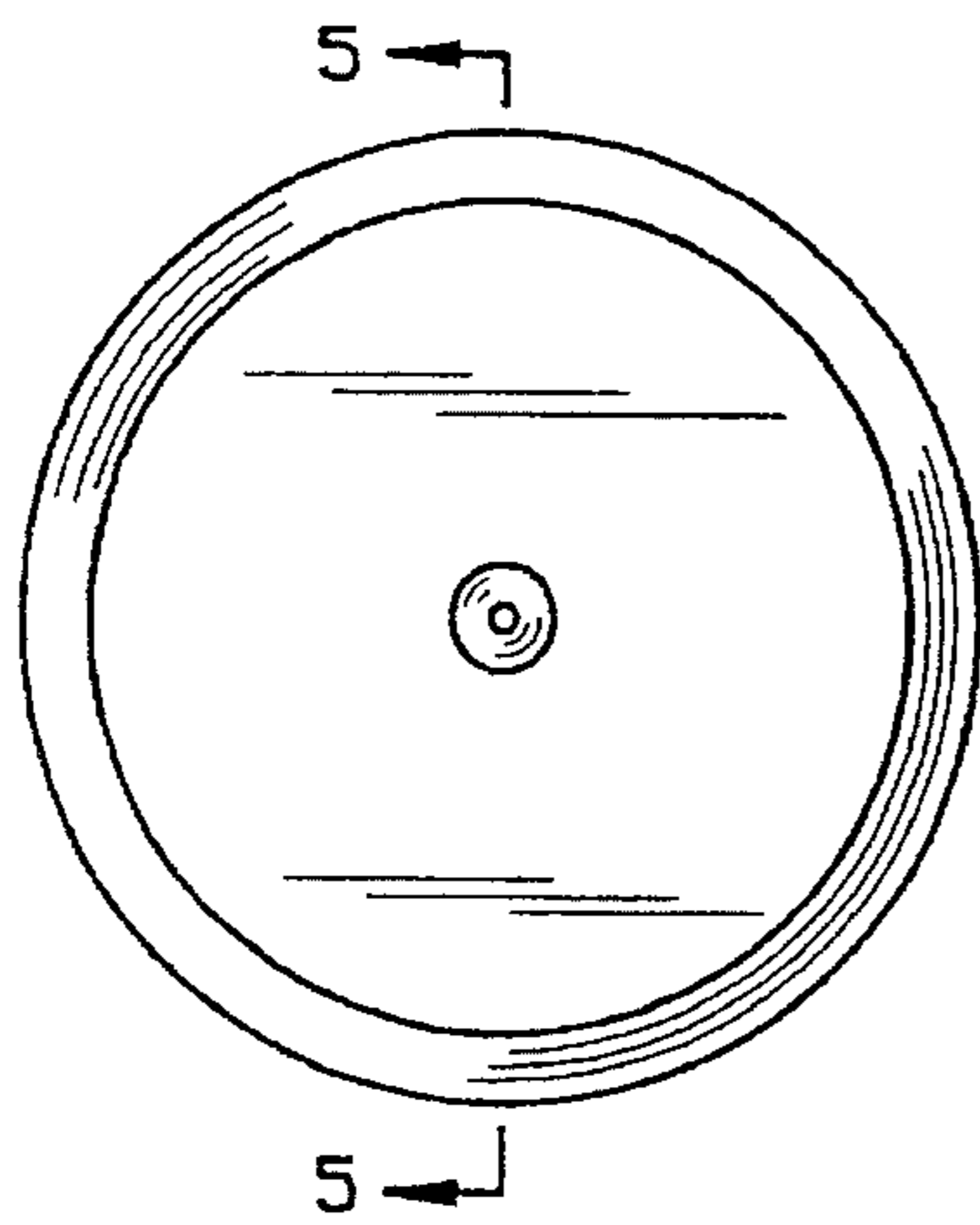


FIG. 2

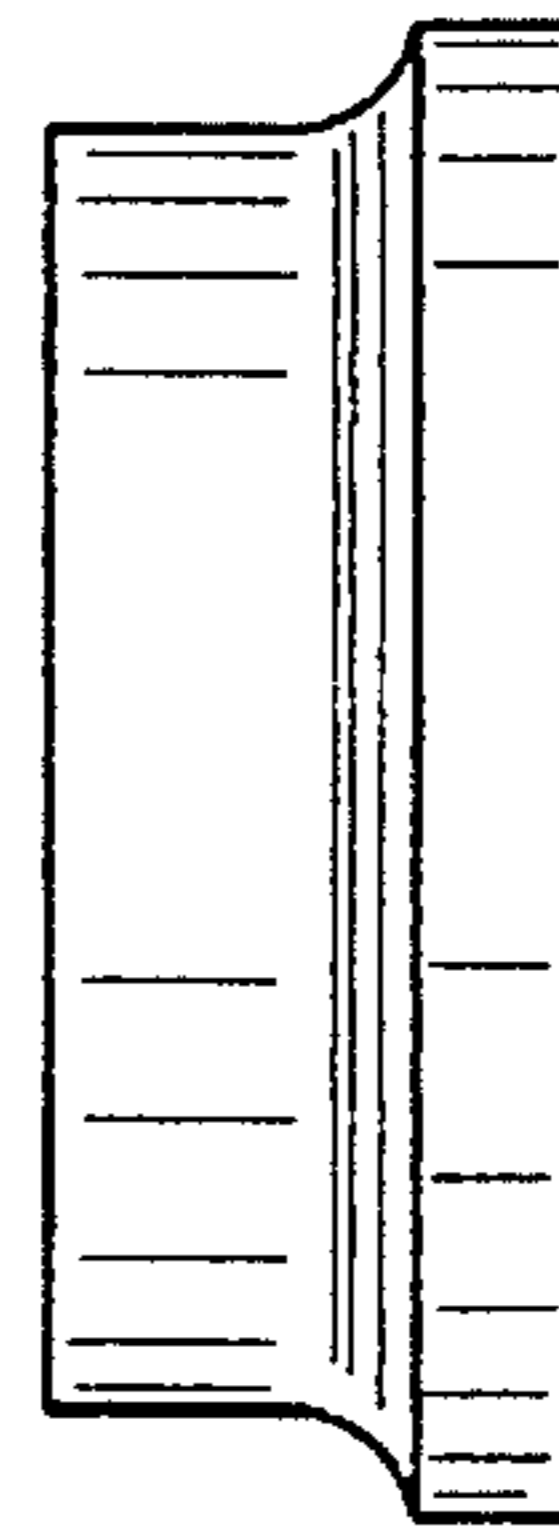


FIG. 3

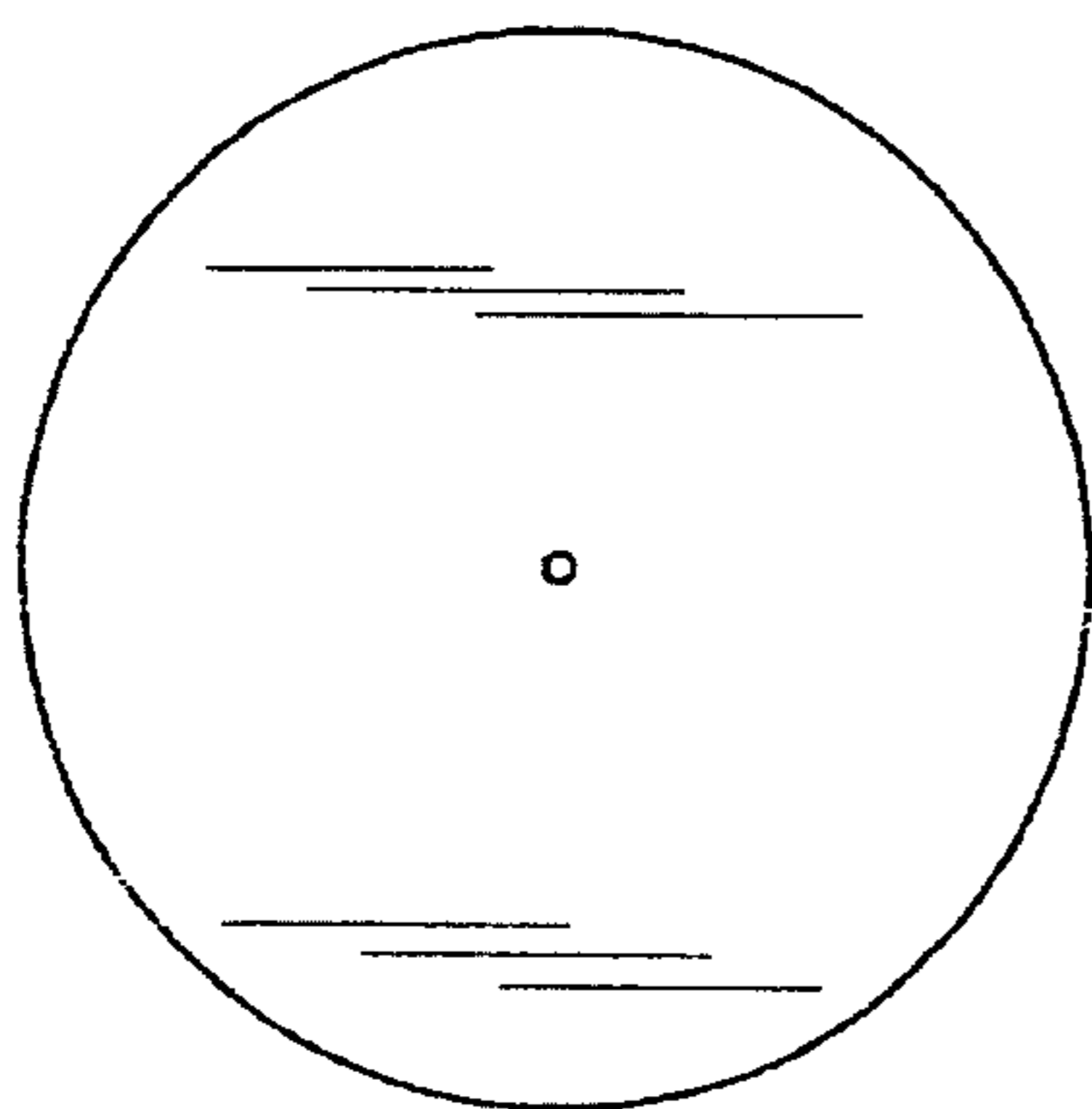


FIG. 4

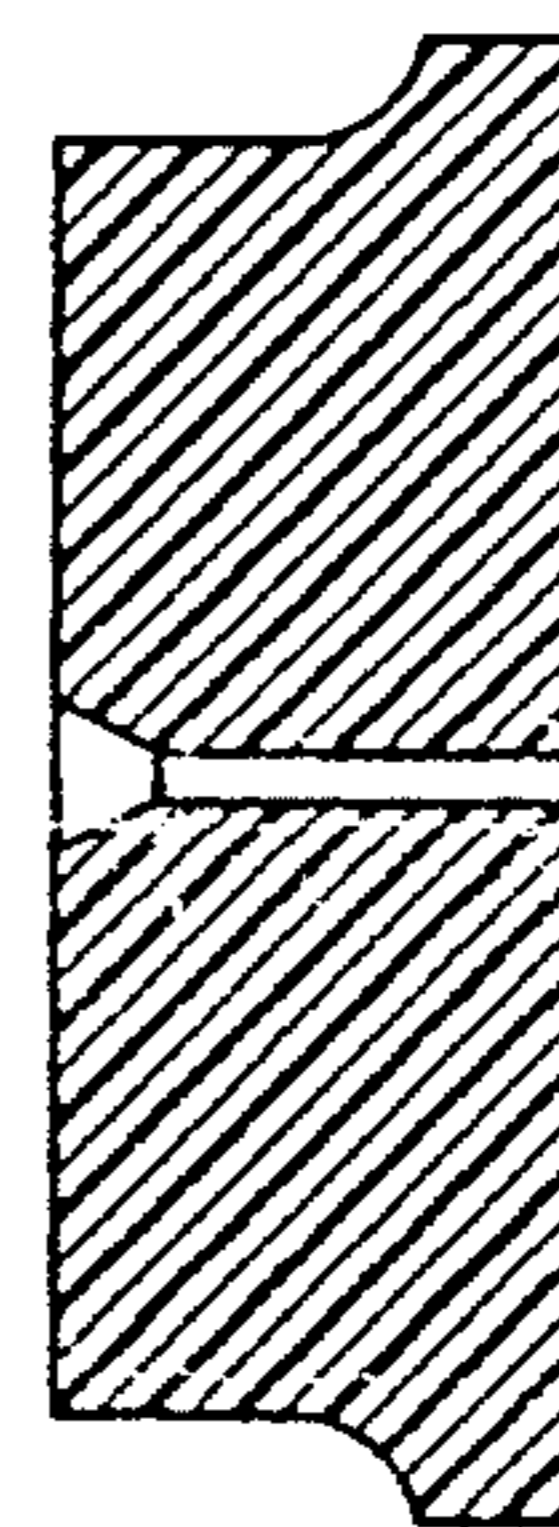


FIG. 5