



US00D363680S

United States Patent [19] Shan

[11] Patent Number: **Des. 363,680**
[45] Date of Patent: ****Oct. 31, 1995**

[54] LEAKAGE PROTECTOR

[76] Inventor: **Wu W. Shan**, P.O. Box 82-144, Taipei, Taiwan

[**] Term: **14 Years**

[21] Appl. No.: **33,802**

[22] Filed: **Jan. 20, 1995**

[52] U.S. Cl. **D10/75; D10/78**

[58] Field of Search **D10/75, 78; 361/44, 361/45, 48, 50**

[56] **References Cited**

U.S. PATENT DOCUMENTS

D. 223,001	2/1972	Bonanno	D10/75
4,709,293	11/1987	Gershen et al.	361/50
5,148,344	9/1992	Rao et al.	361/50 X
5,305,173	4/1994	Kakuta et al.	361/45

Primary Examiner—Antoine Duval Davis
Attorney, Agent, or Firm—Alfred Lei

[57] **CLAIM**

The ornamental design for a leakage protector, as shown and described.

DESCRIPTION

FIG. 1 is a perspective view of a leakage protector my new design;

FIG. 2 is a front view thereof;

FIG. 3 is a rear view thereof;

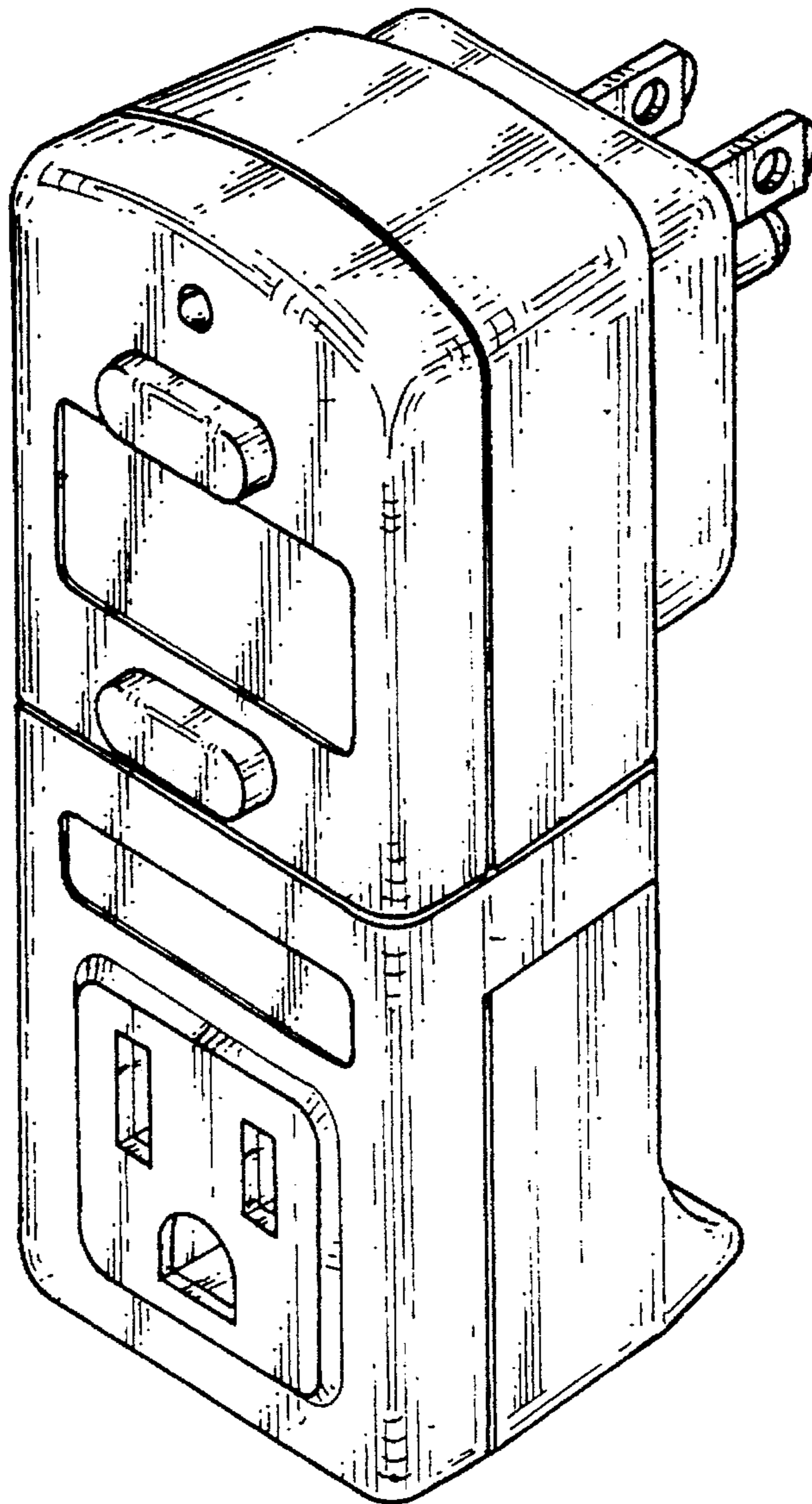
FIG. 4 is a left side elevational view thereof;

FIG. 5 is a right side elevational view thereof;

FIG. 6 is a top plan view thereof; and,

FIG. 7 is a bottom plan view thereof.

1 Claim, 4 Drawing Sheets



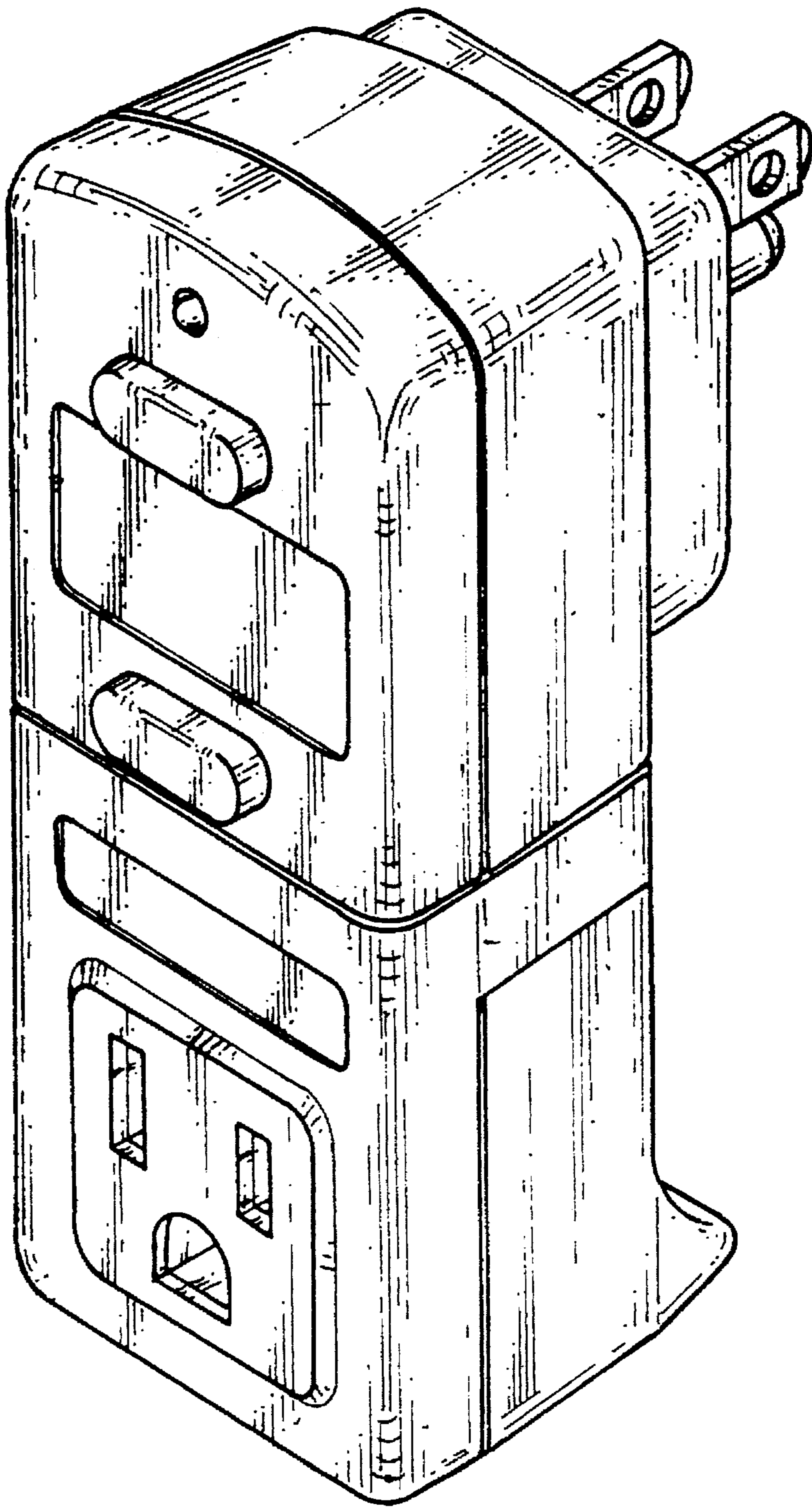


FIG. 1

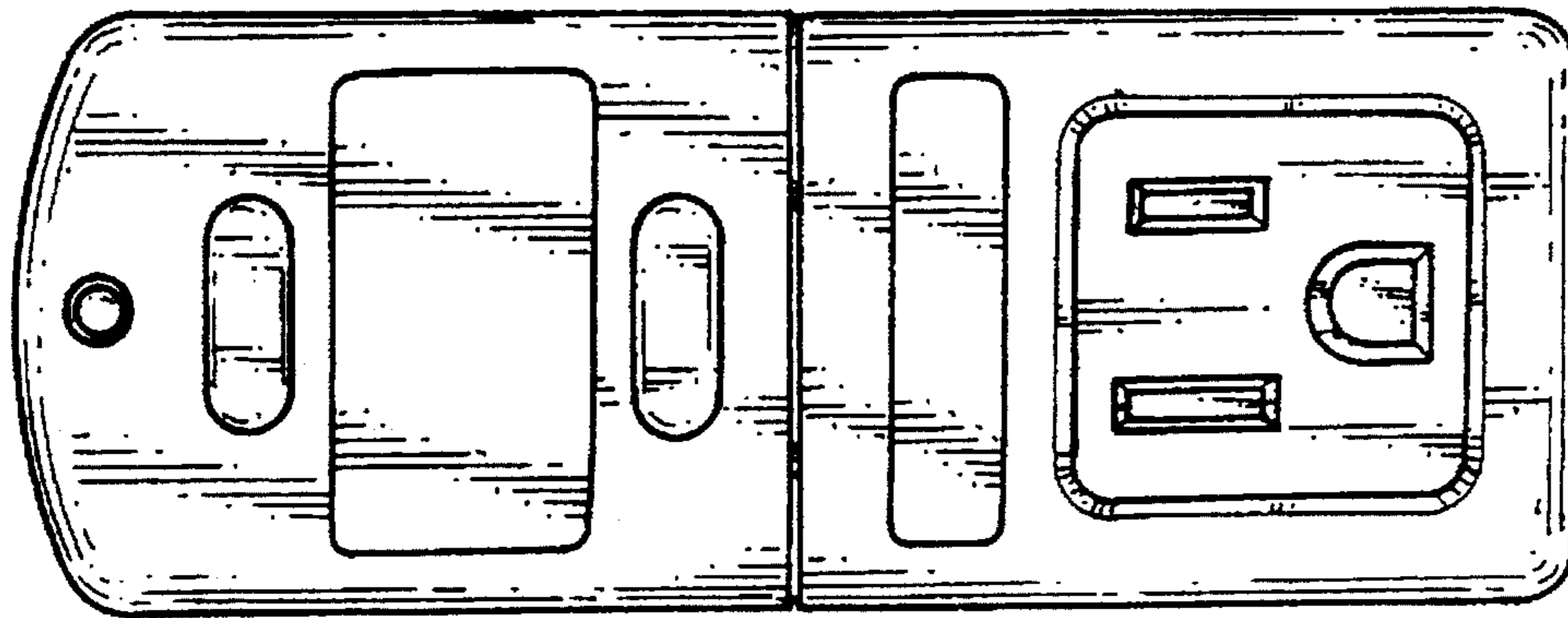


FIG. 2

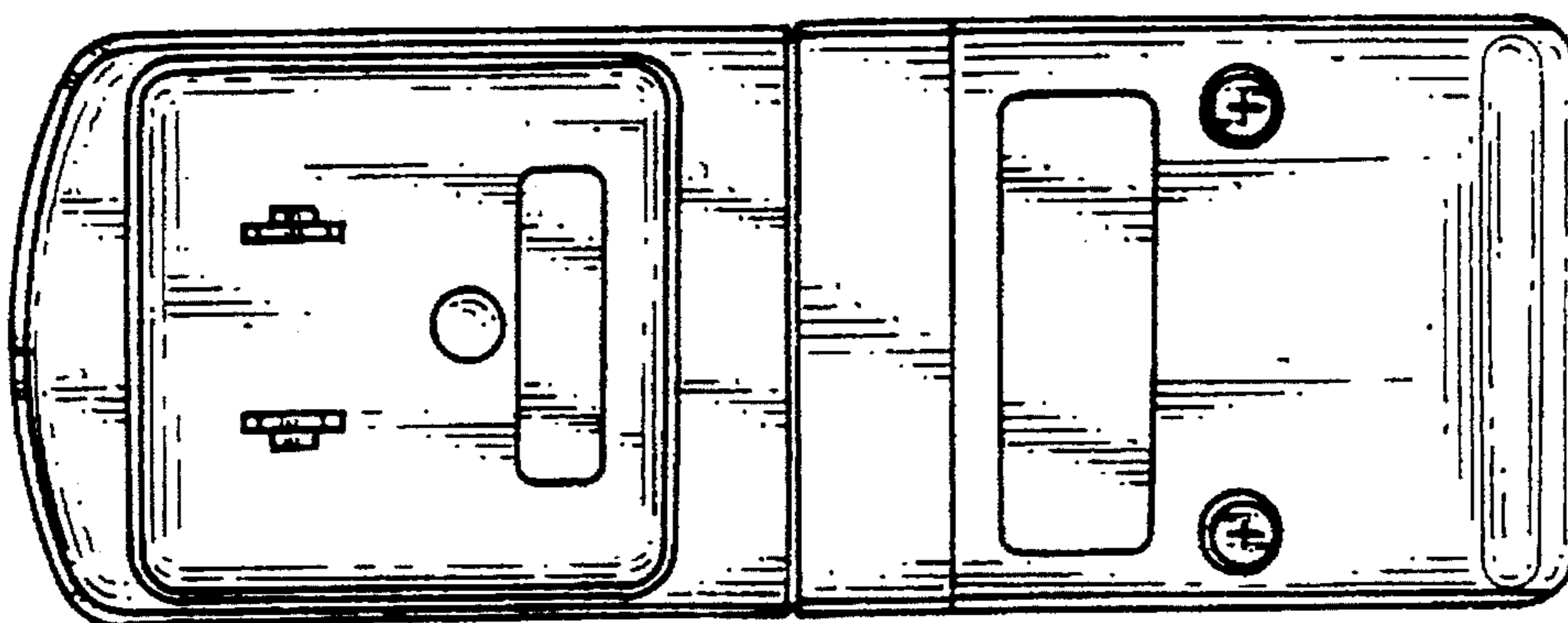


FIG. 3

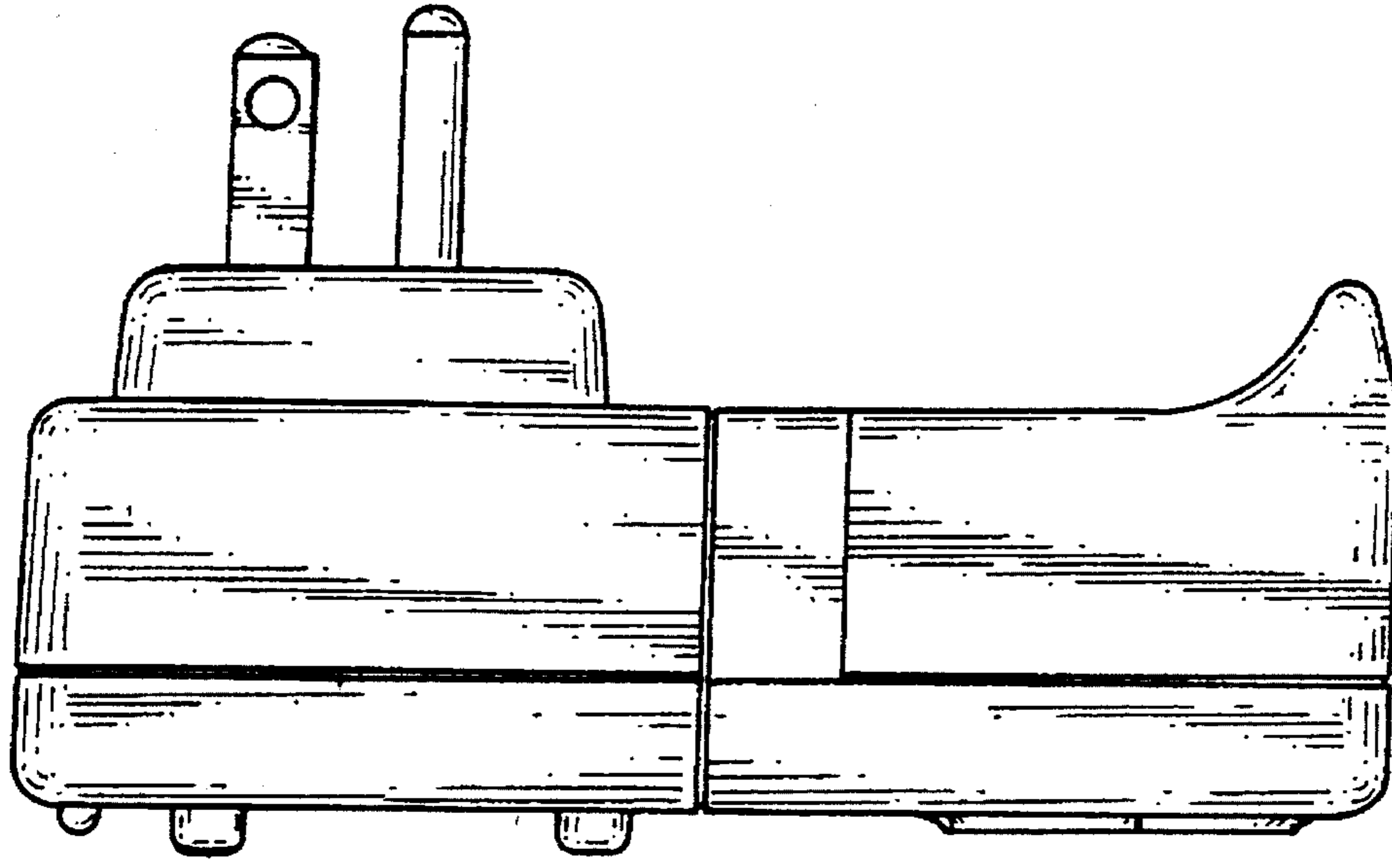


FIG. 5

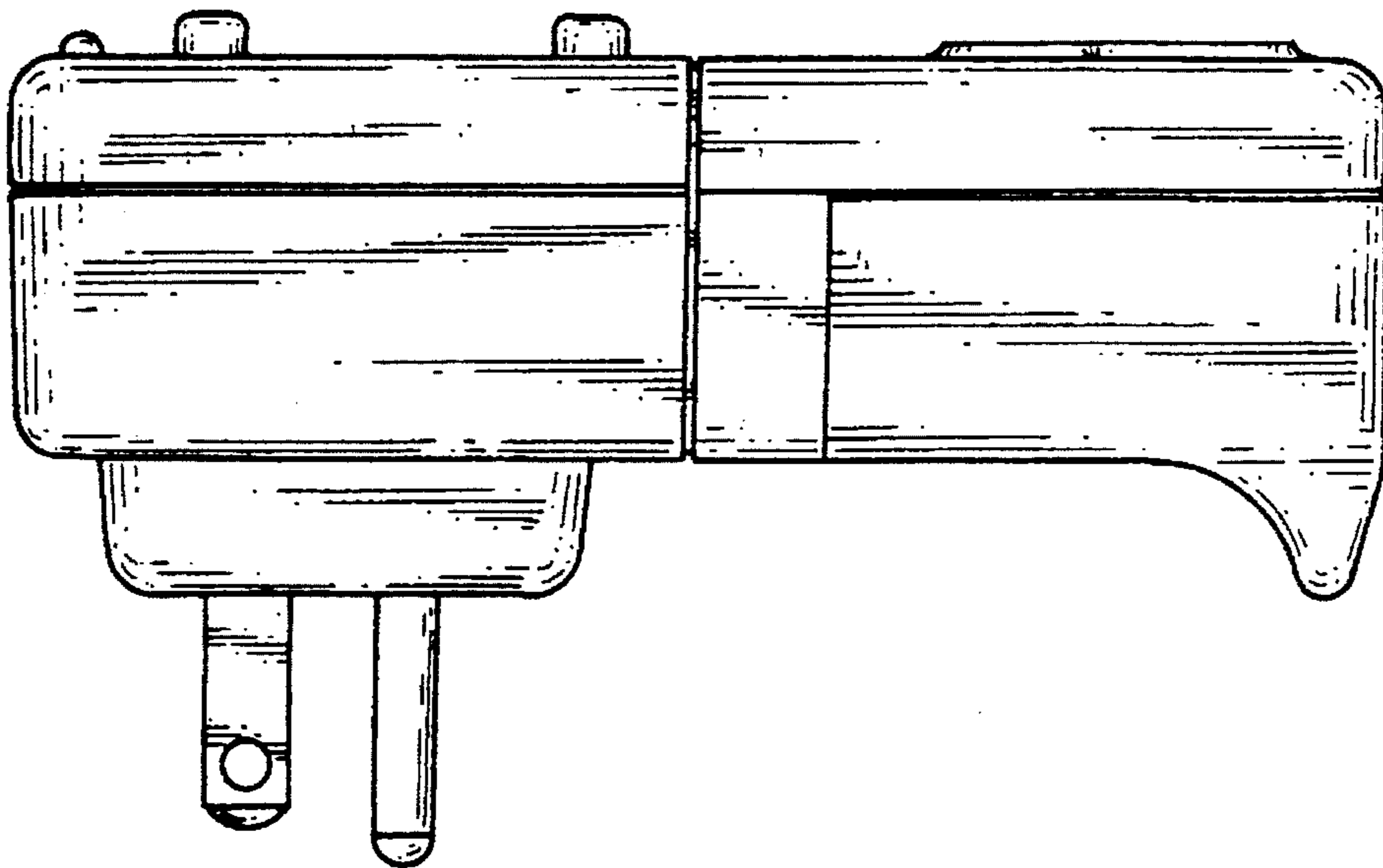


FIG. 4

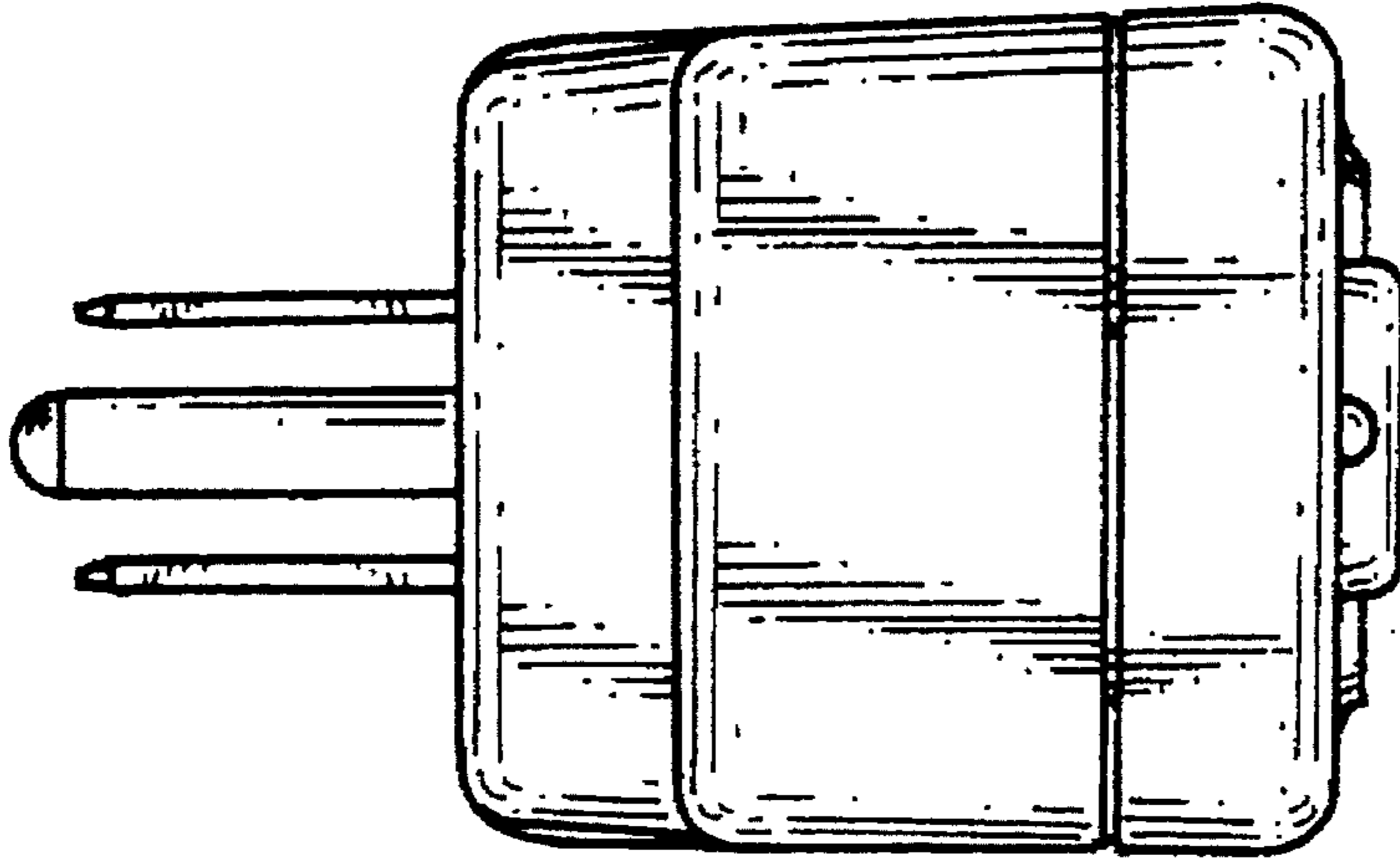


FIG. 6

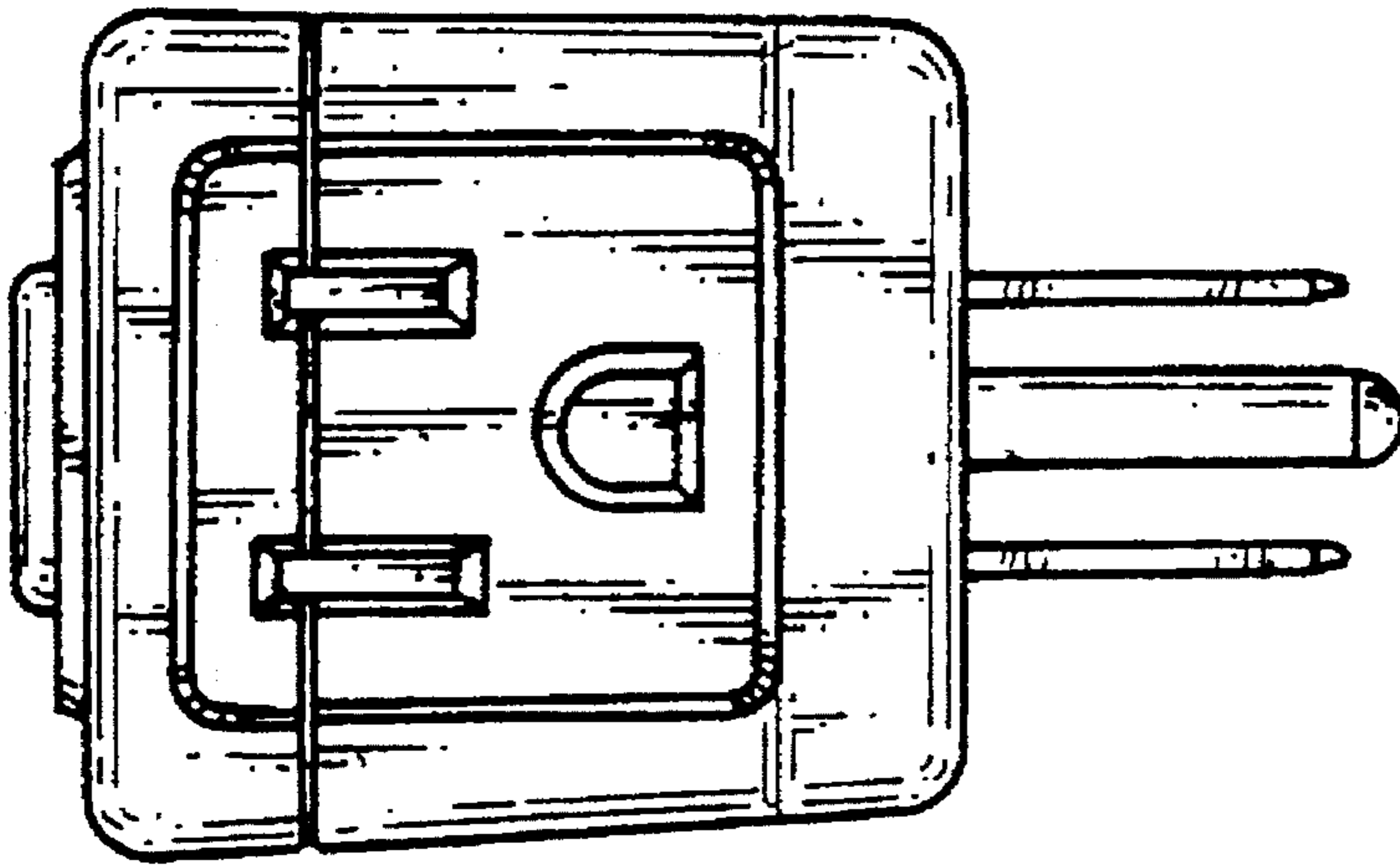


FIG. 7