



US00D363679S

# United States Patent [19] Spencer

[11] Patent Number: **Des. 363,679**

[45] Date of Patent: **\*\*Oct. 31, 1995**

[54] COMBINATION SQUARE USING A LASER

5,075,977 12/1991 Rando .

[76] Inventor: **Gary W. Spencer**, 1809 S. Pasfield,  
Springfield, Ill. 62704

*Primary Examiner*—Antoine Duval Davis  
*Attorney, Agent, or Firm*—Terry M. Gernstein

[\*\*] Term: **14 Years**

[57] **CLAIM**

[21] Appl. No.: **31,214**

The ornamental design for a combination square using a laser, as shown and described.

[22] Filed: **Nov. 14, 1994**

**DESCRIPTION**

[52] U.S. Cl. .... **D10/62; D10/65**

[58] **Field of Search** ..... D10/62, 65; 33/227,  
33/290, 418-426, 451, DIG. 21; 356/138

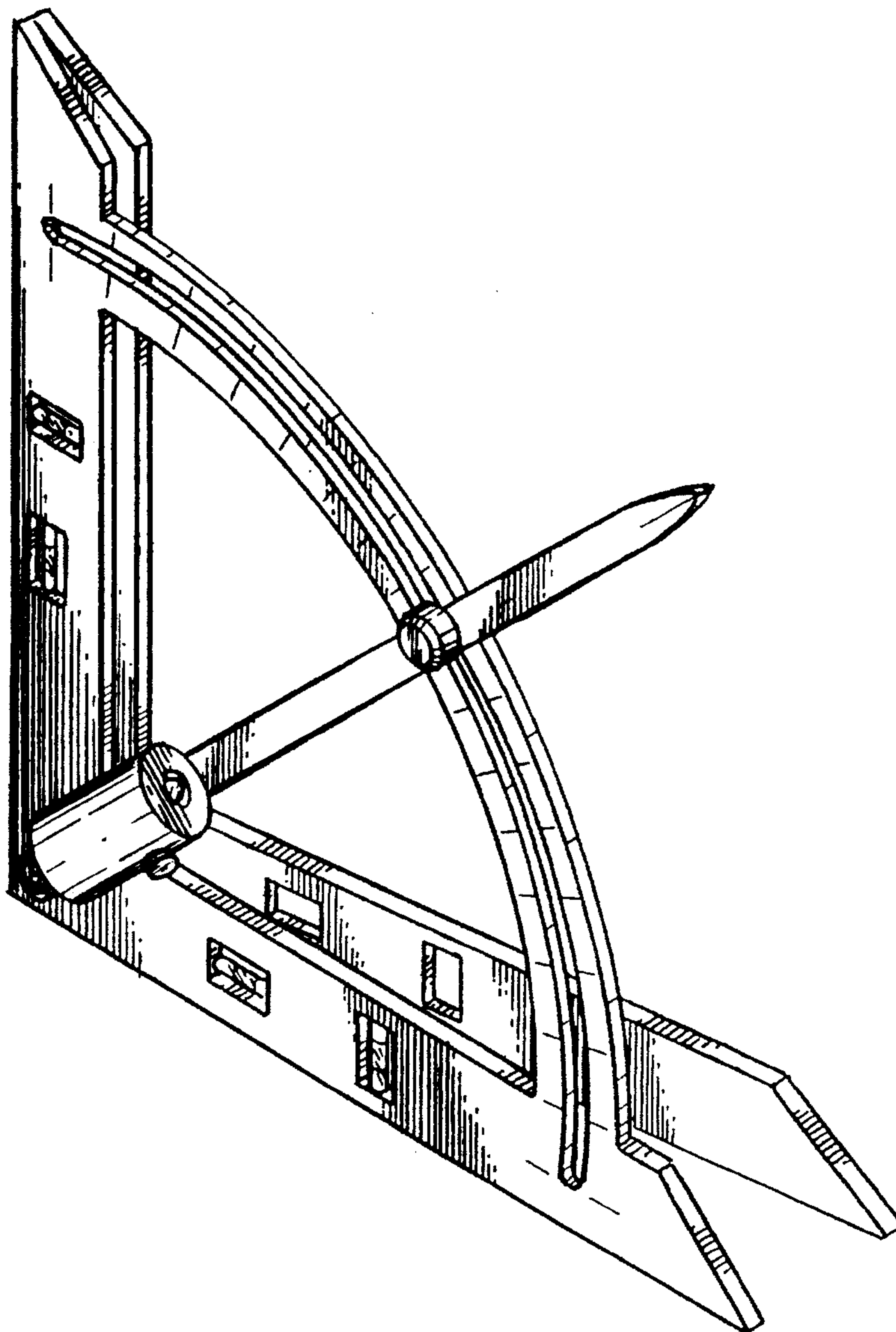
FIG. 1 is a front, top and side perspective view of the combination square using a laser showing my new design; FIG. 2 is a front elevational view thereof; FIG. 3 is a rear elevational view thereof; FIG. 4 is a side elevational view thereof; FIG. 5 is a side elevational view thereof; FIG. 6 is a top plan view thereof; and, FIG. 7 is a bottom plan view thereof.

[56] **References Cited**

**U.S. PATENT DOCUMENTS**

D. 289,382	4/1987	Porter	.....	D10/65
3,897,637	8/1975	Genho	.	
4,852,265	8/1989	Rando	.	
4,955,141	9/1990	Welch	.....	33/451 X

**1 Claim, 4 Drawing Sheets**



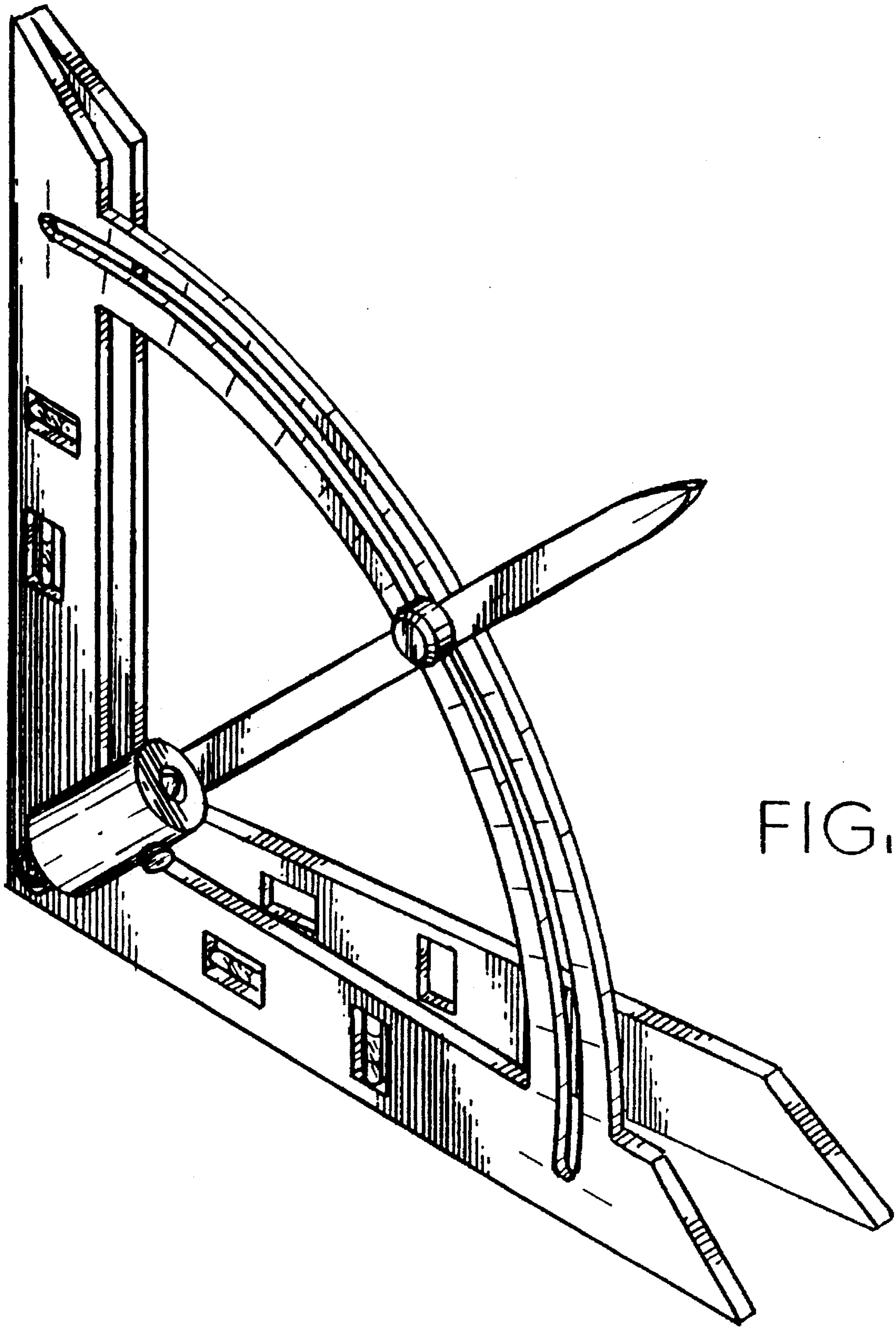


FIG. 1

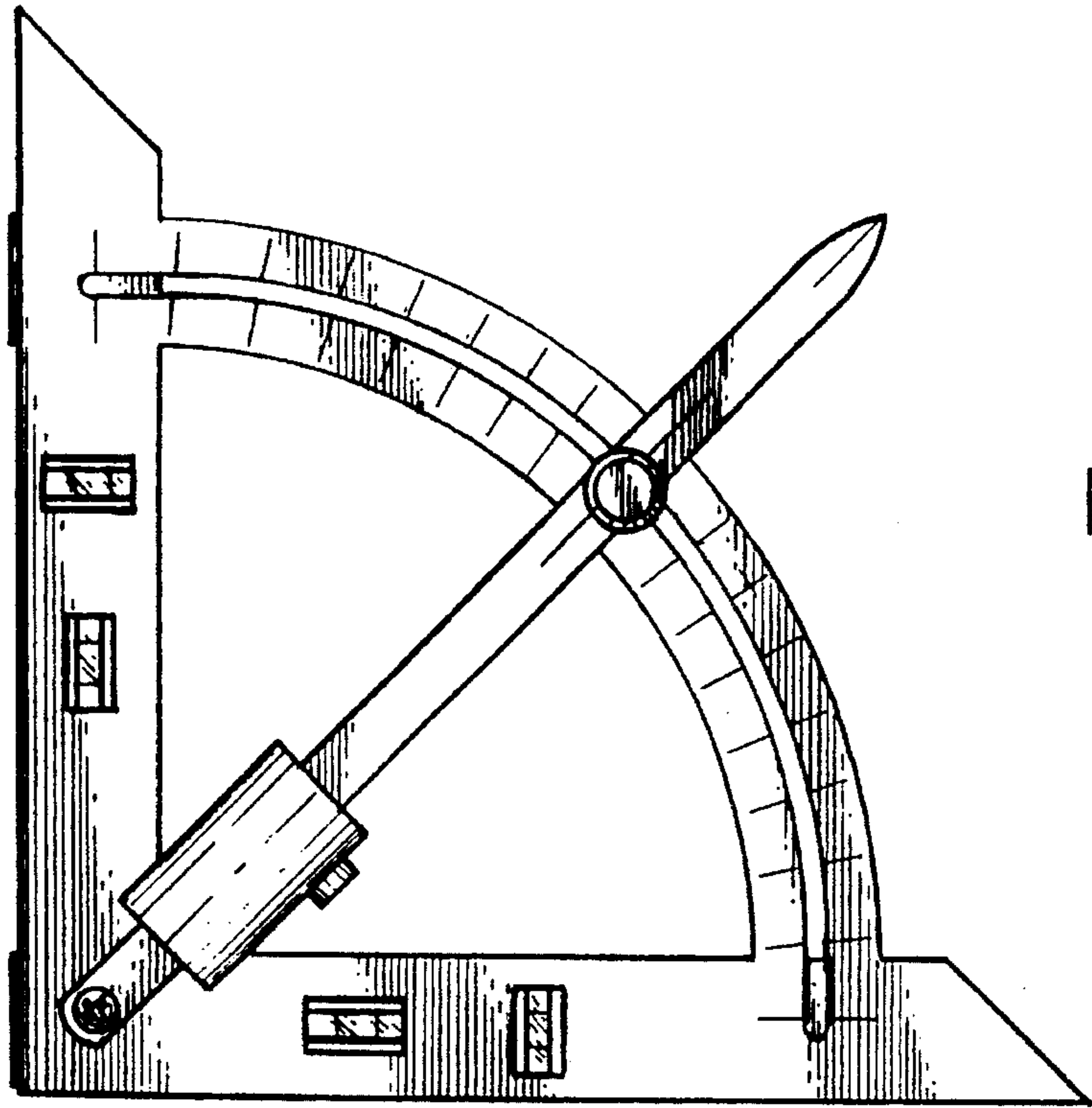


FIG. 2

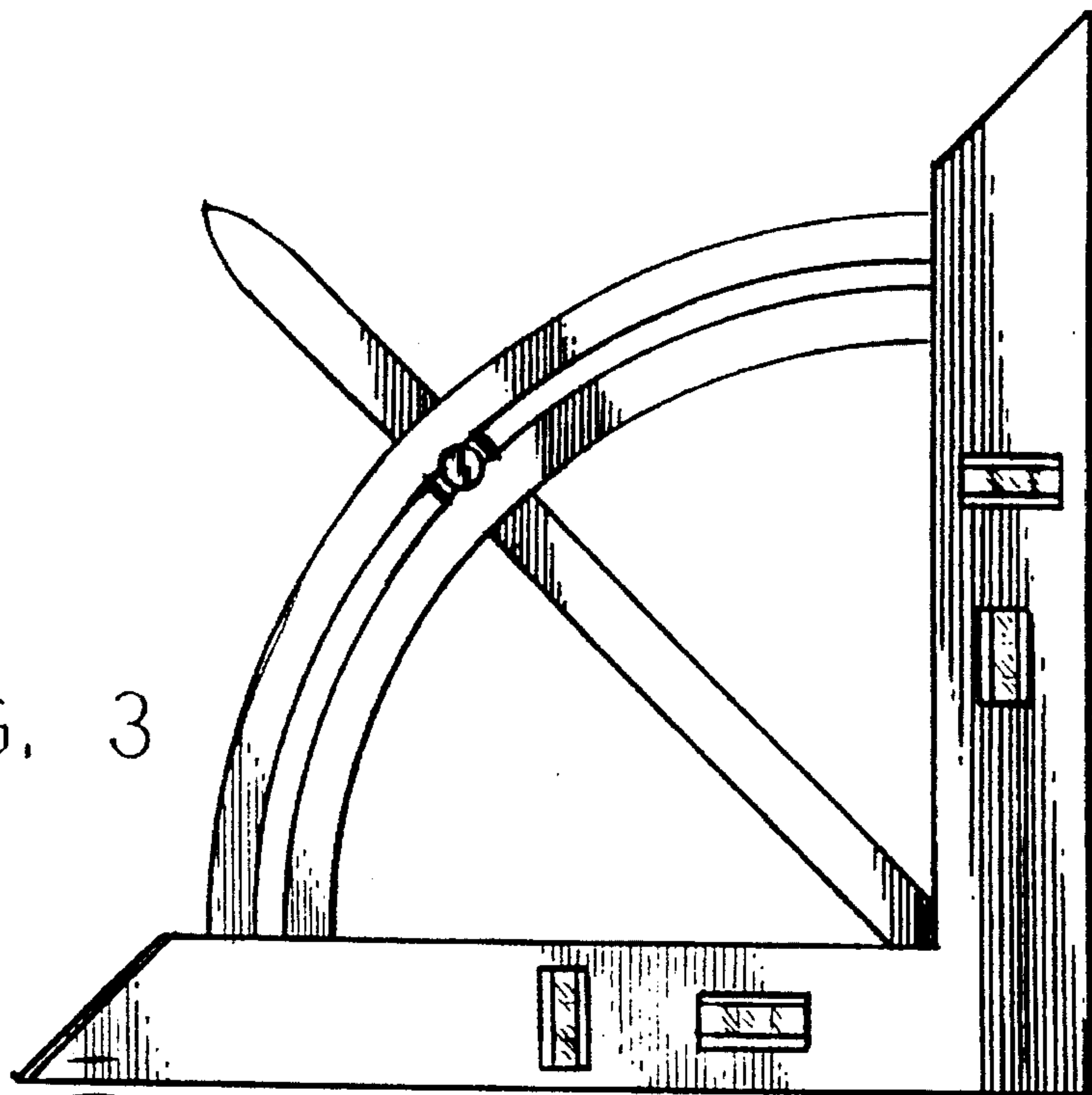


FIG. 3

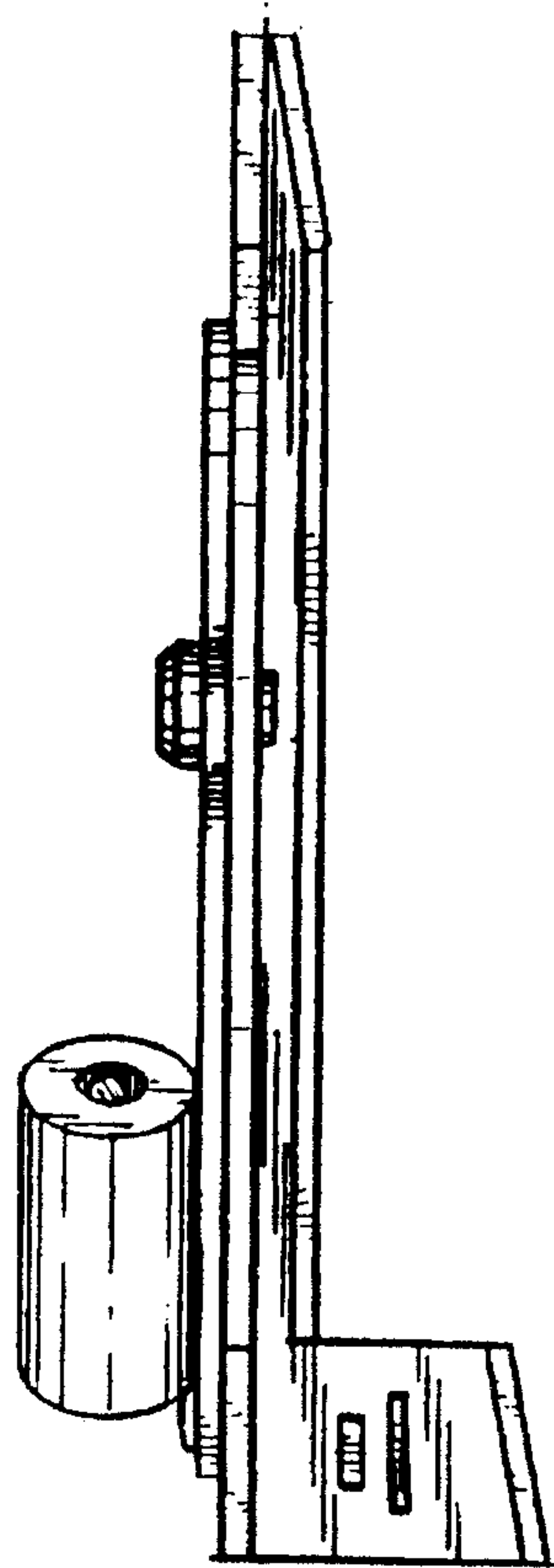


FIG. 4

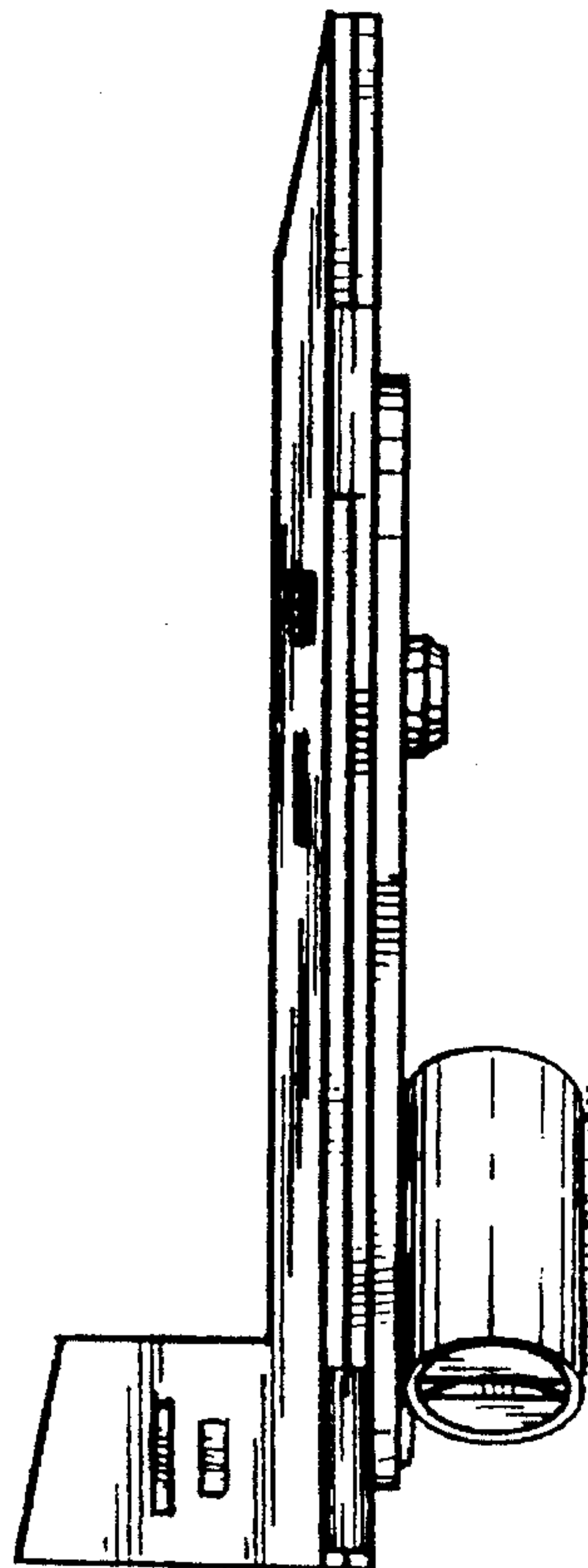


FIG. 5

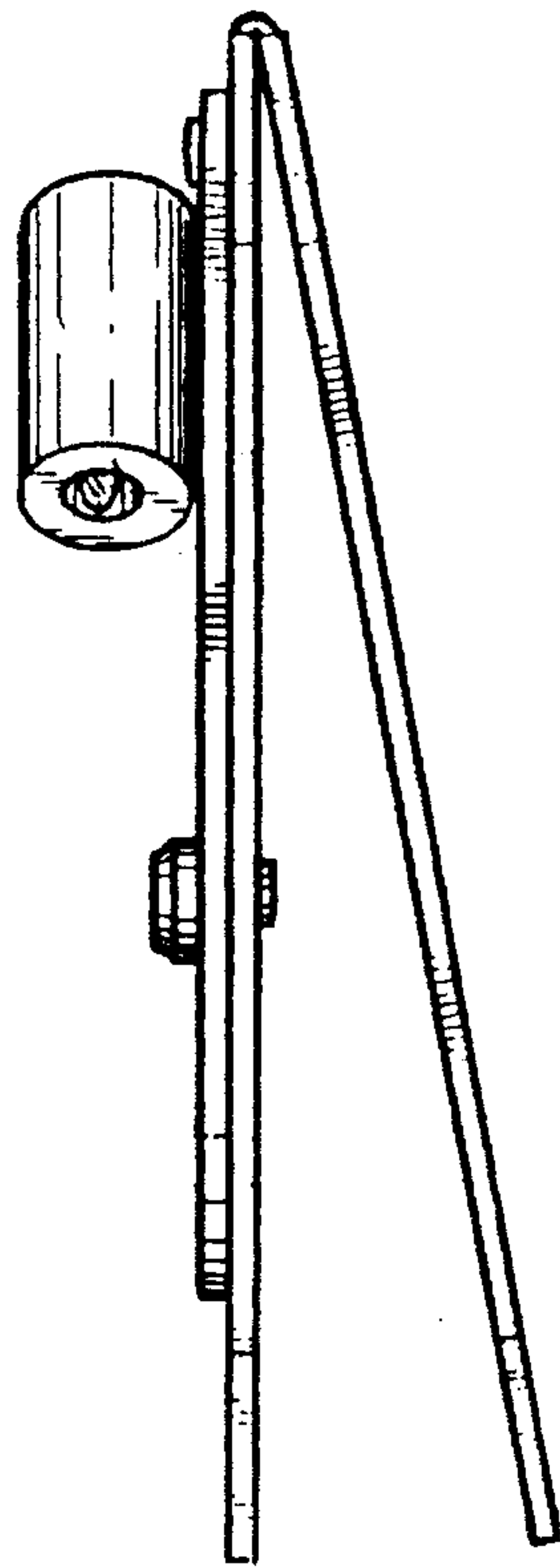


FIG. 6

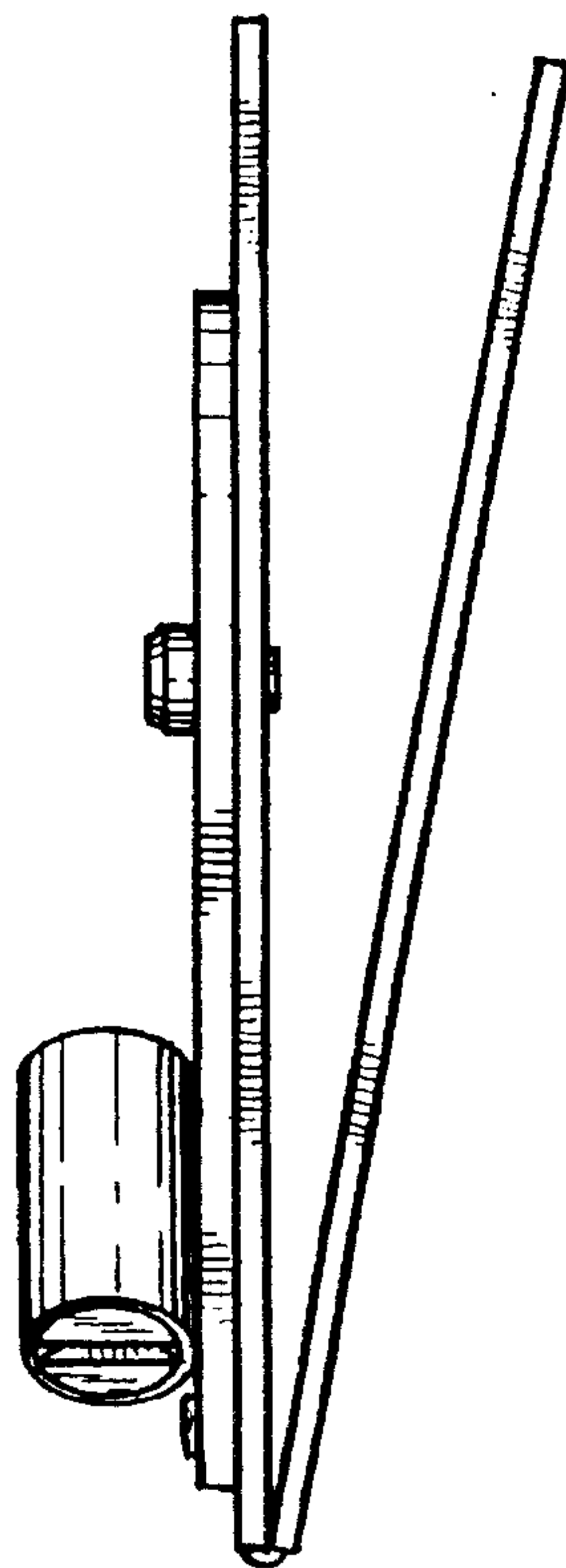


FIG. 7