



US00D363671S

United States Patent [19]

[11] Patent Number: **Des. 363,671**

Mueller

[45] Date of Patent: ****Oct. 31, 1995**

[54] CLOSURE FOR A CONTAINER

Attorney, Agent, or Firm—Sandler, Greenblum & Bernstein

[75] Inventor: **Jonathan H. Mueller**, Hermitage, Tenn.

[57] CLAIM

[73] Assignee: **Aladdin Synergetics, Inc.**, Nashville, Tenn.

The ornamental design for a closure for a container, as shown and described.

[**] Term: **14 Years**

DESCRIPTION

[21] Appl. No.: **34,332**

[22] Filed: **Feb. 1, 1995**

FIG. 1 is a top plan view of a closure for a container, showing my new design;

FIG. 2 is a top plan view thereof, with the stopper removed;

FIG. 3 is a bottom plan view thereof;

FIG. 4 is a front elevational view of the closure in FIG. 1, the opposite side elevational view being a mirror image thereof;

FIG. 5 is a top right front perspective view thereof;

FIG. 6 is a top right front perspective view thereof, with the stopper in a first alternate position of use;

FIG. 7 is a top right rear perspective view thereof, with the stopper in a second alternate position of use;

FIG. 8 is a left side elevational view of the closure of FIG. 2;

FIG. 9 is a right side elevational view thereof;

FIG. 10 is a cross sectional view thereof, taken along line 10—10 of FIG. 2;

FIG. 11 is a cross sectional view of the closure of FIG. 2, taken along line 11—11 of FIG. 2;

FIG. 12 is a fragmentary enlarged cross sectional view of the closure of FIG. 2, taken along line 12—12 of FIG. 2;

FIG. 13 is a fragmentary enlarged cross sectional view of the closure of FIG. 2, taken along line 13—13 of FIG. 2;

FIG. 14 is a top plan view of the stopper of the closure of FIG. 1 illustrated in isolation for the sake of illustration;

FIG. 15 is a front side elevational view of the stopper of FIG. 14;

FIG. 16 is a bottom plan view of the stopper of FIG. 14;

FIG. 17 is a cross-sectional view taken along line 17—17 in FIG. 14;

FIG. 18 is a left end elevational view of the stopper of FIG. 14; and,

FIG. 19 is a right end elevational view of the stopper of FIG. 14.

The broken line showing of a container in FIG. 4 is for illustrative purposes only and forms no part of the claimed design.

Related U.S. Application Data

[63] Continuation of Ser. No. 7,282, Apr. 21, 1993, abandoned.

[52] U.S. Cl. **D9/447**; D7/321

[58] Field of Search D7/317, 321, 619, D7/629-630; D9/434-436, 440, 444, 446-447, 449, 454; 215/235, 317; 220/306, 375; 222/478, 481

[56] References Cited

U.S. PATENT DOCUMENTS

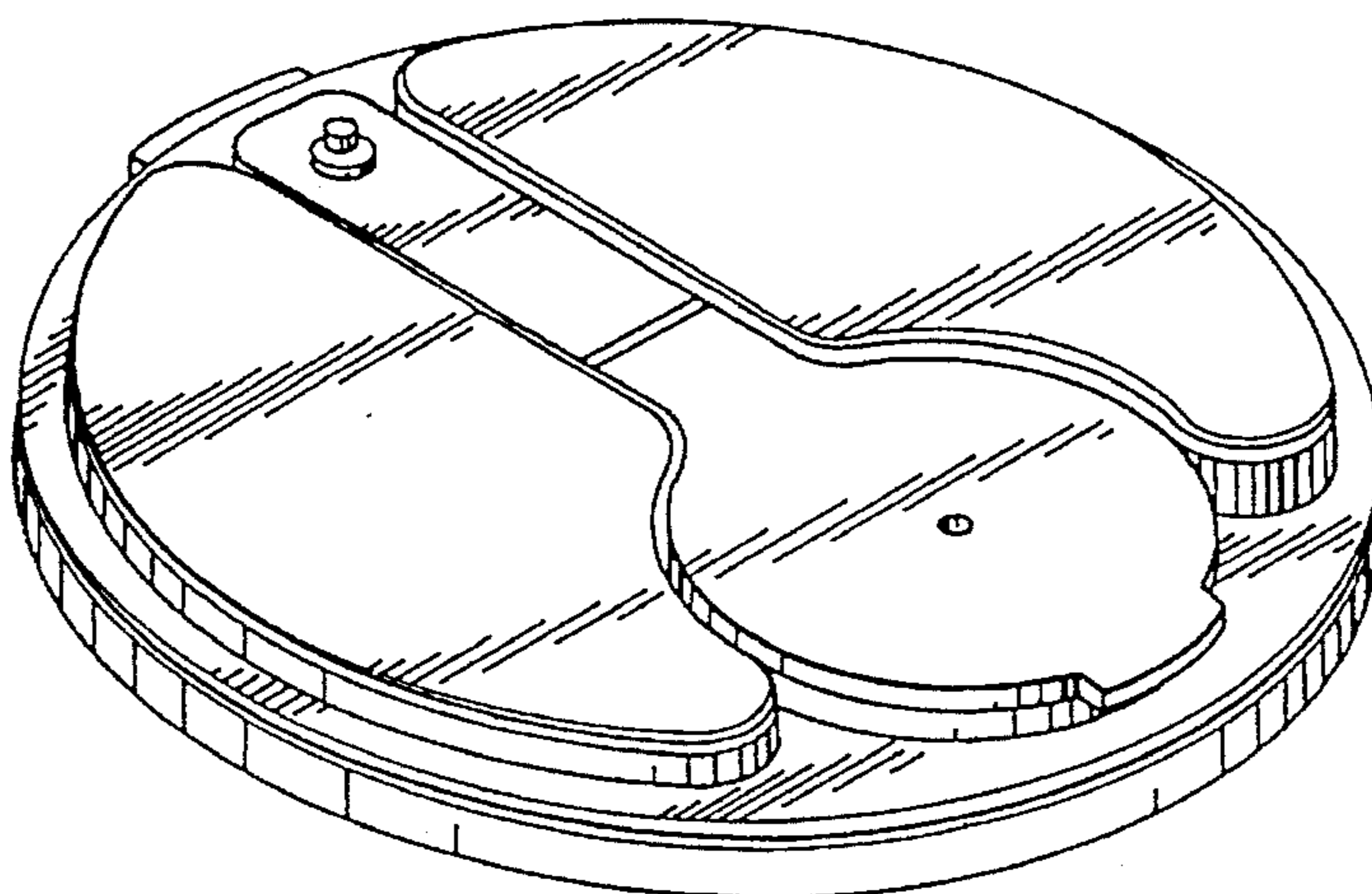
D. 159,599	8/1950	Chaplin .	
D. 198,139	5/1964	Edwards .	
D. 208,935	10/1967	Marien et al.	D7/321
D. 253,338	11/1979	Hasegawa	D9/447
D. 263,933	4/1982	Jones et al.	D9/447
D. 272,323	1/1984	Bainton	D9/449
D. 278,312	4/1985	Cleevly et al.	D9/449
D. 285,661	9/1986	Brownbill	D9/435
D. 312,552	12/1990	Carlson	D7/321
D. 315,872	4/1991	Bixler	D9/435
D. 320,942	10/1991	Lillelund et al.	D9/456
D. 321,624	11/1991	Fiore et al.	D7/321
2,859,557	11/1958	Lattuca .	
2,905,350	9/1959	Edwards .	
3,009,603	11/1961	Stockdale .	
3,035,623	5/1962	Goetz .	
3,372,830	3/1968	Edwards .	
3,836,063	9/1974	Sutch .	

(List continued on next page.)

Primary Examiner—Alan P. Douglas

Assistant Examiner—Rob Spear

1 Claim, 5 Drawing Sheets



U.S. PATENT DOCUMENTS

3,994,411	11/1976	Elfelt et al. .	4,877,141	10/1989	Hayashi et al. .
4,202,459	5/1980	DeParales et al. .	4,881,668	11/1989	Kitterman et al. .
4,232,797	11/1980	Waterbury .	4,949,865	8/1990	Turner .
4,420,081	12/1983	Dart .	4,989,746	2/1991	Pierce .
4,629,088	12/1986	Durgin .	5,111,961	5/1992	Van Melle .
4,723,693	2/1988	DeCoster .	5,148,936	9/1992	DeGrow .
4,738,373	4/1988	DeParales .	5,219,100	6/1993	Beck et al. .
			5,244,113	9/1993	Stymiest .

FIG. 1

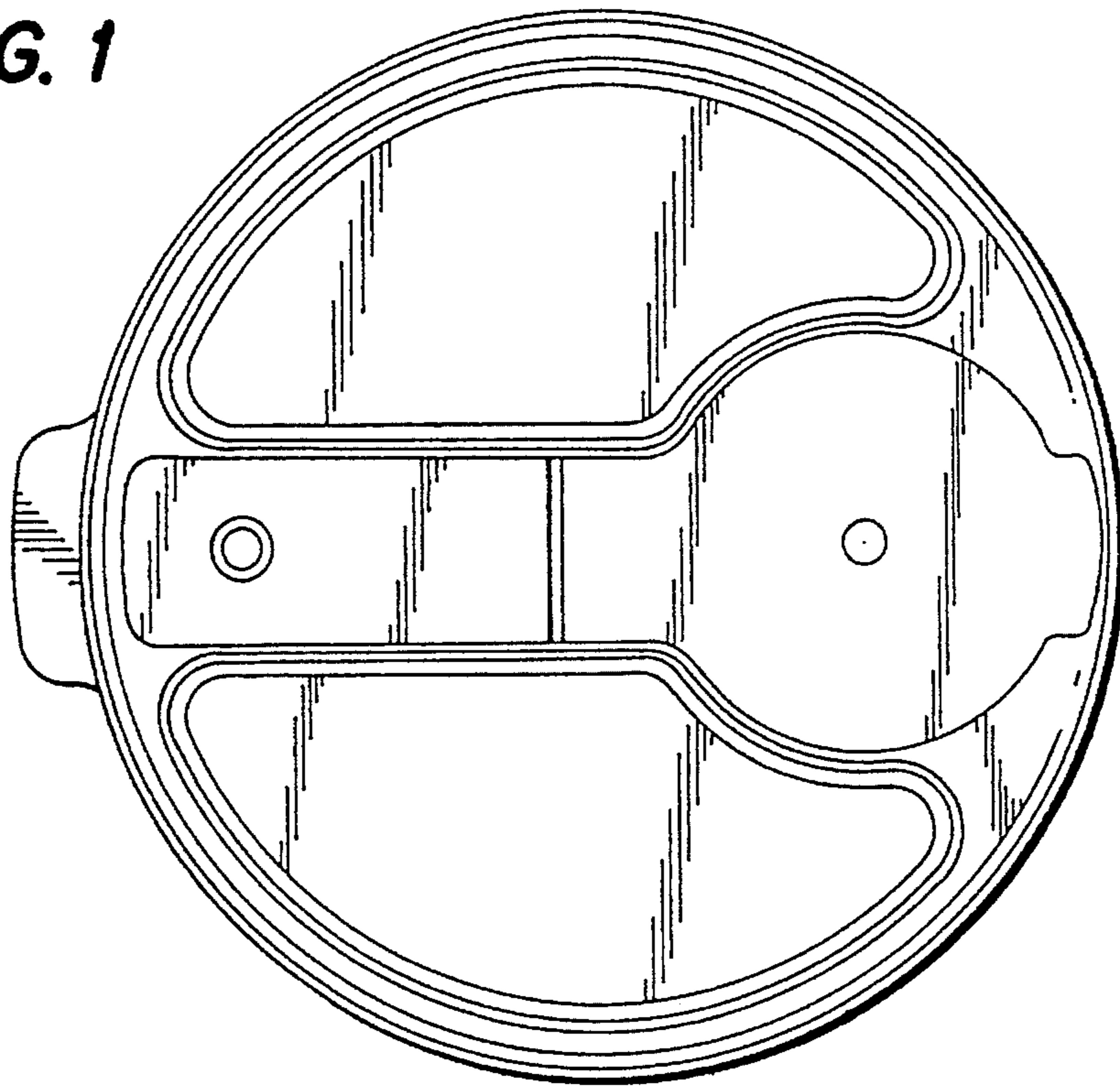


FIG. 2

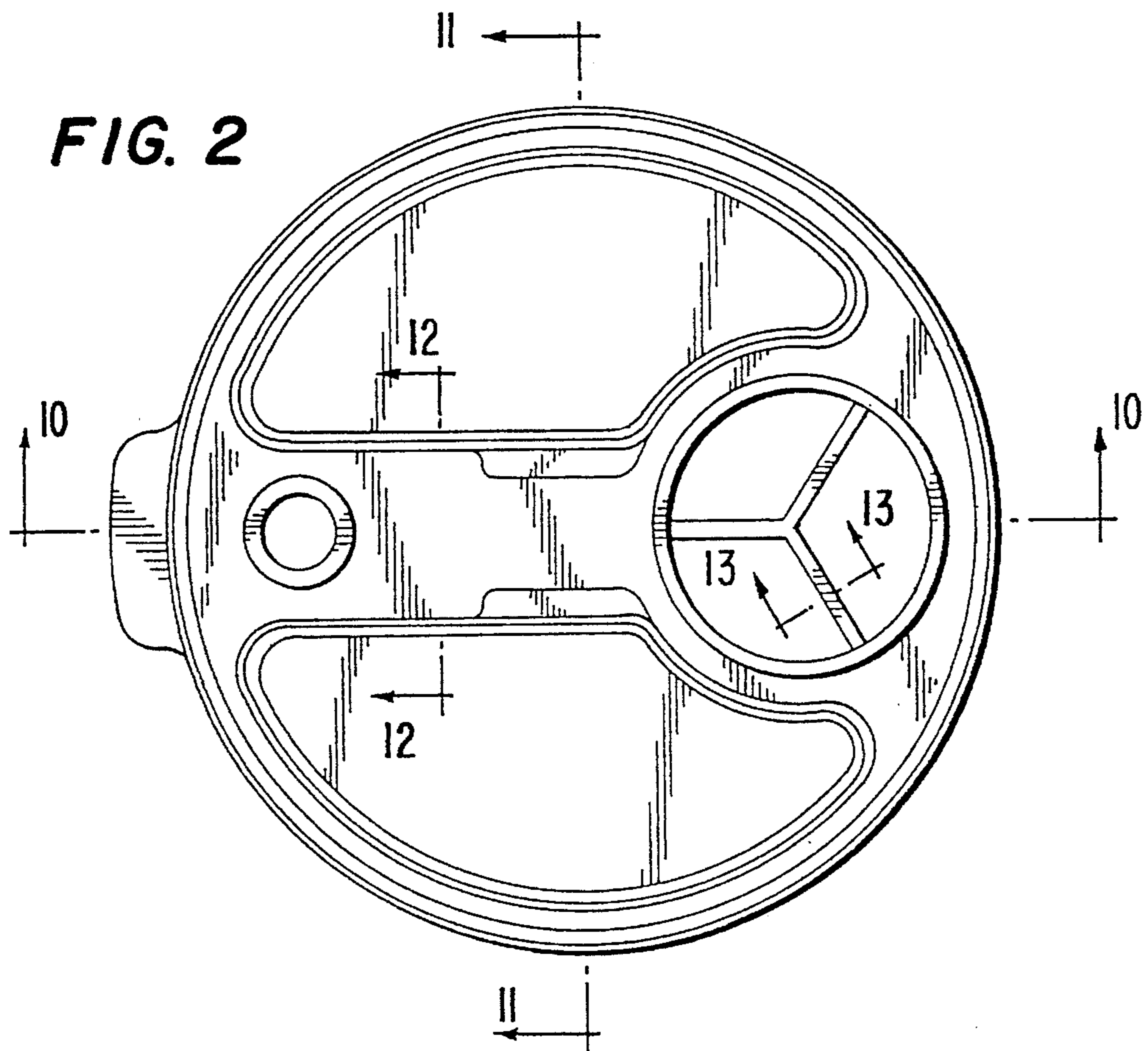


FIG. 3

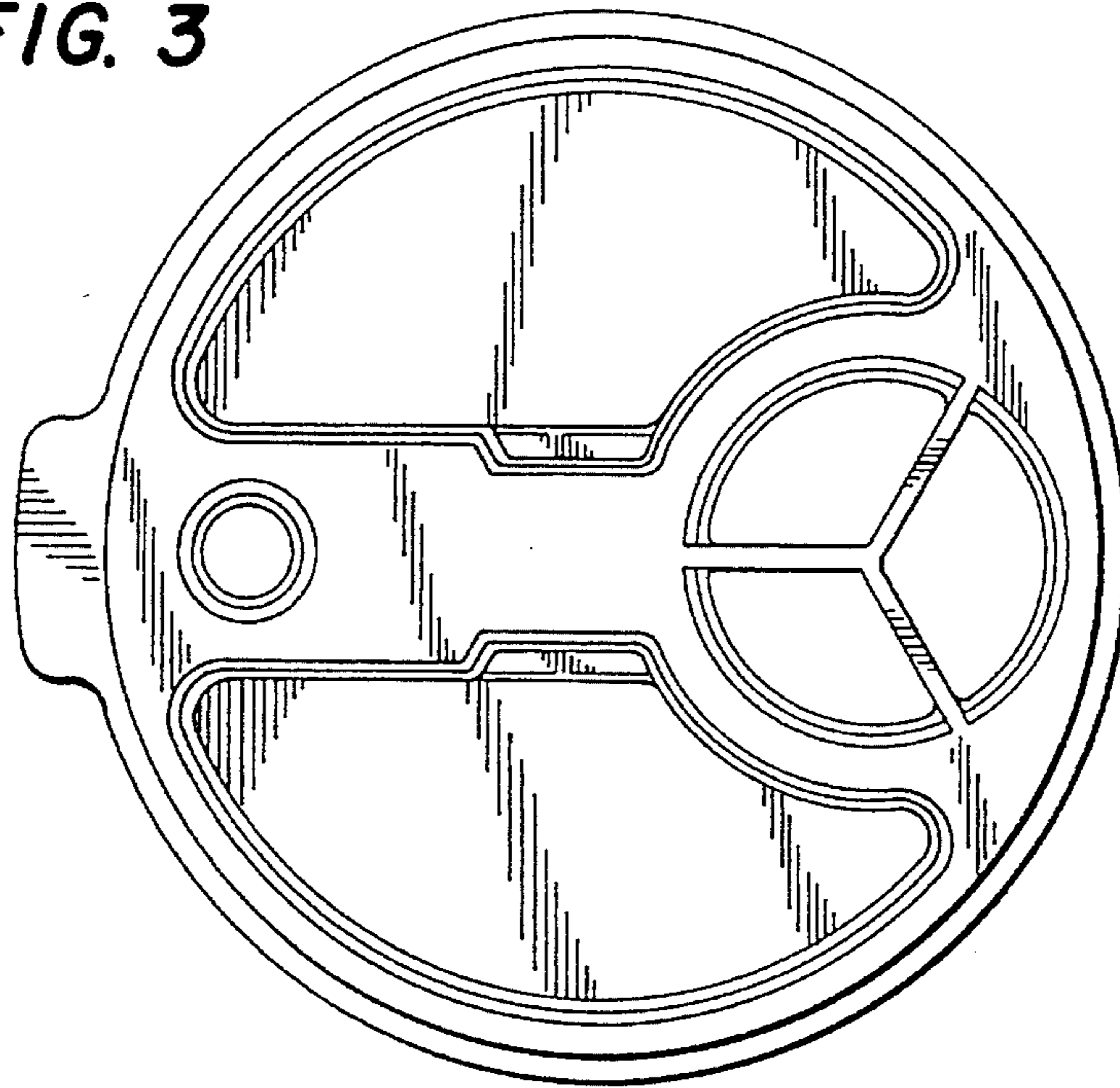


FIG. 8

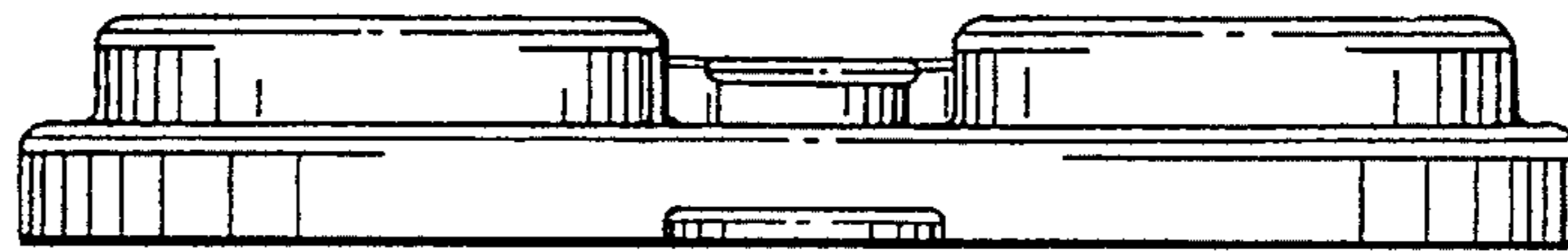


FIG. 9

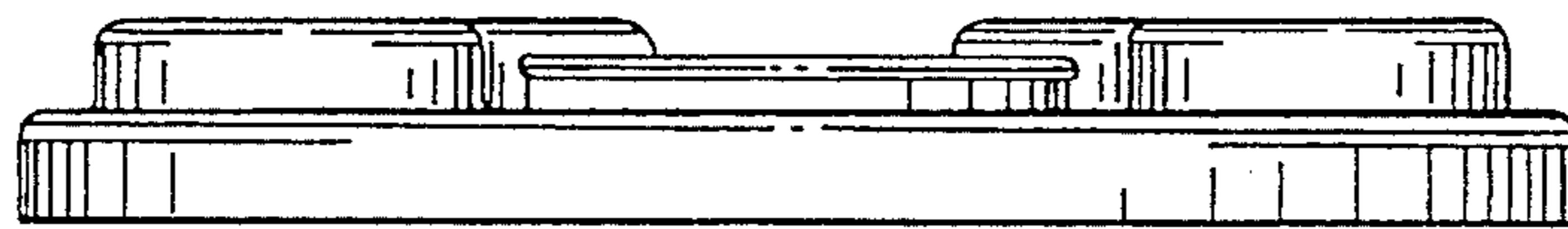


FIG. 10

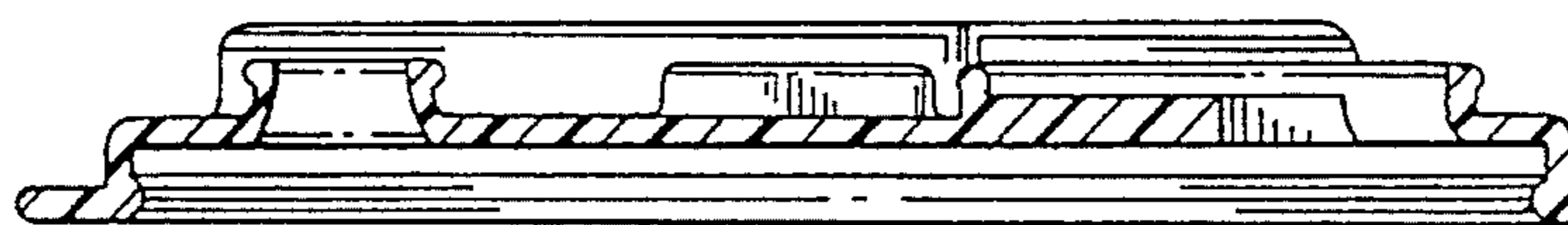


FIG. 12

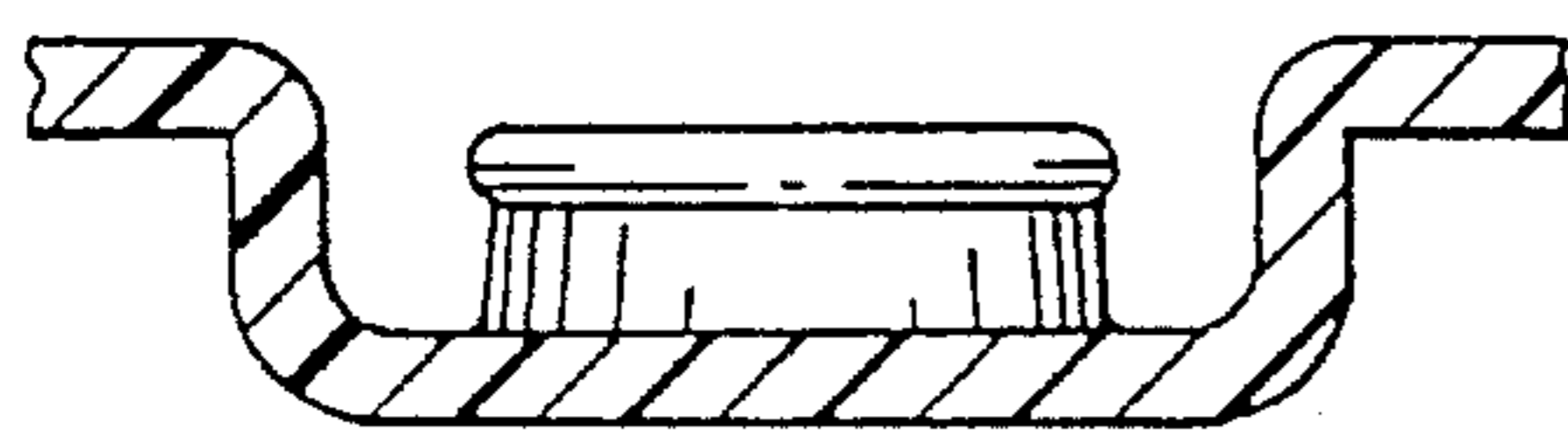


FIG. 13

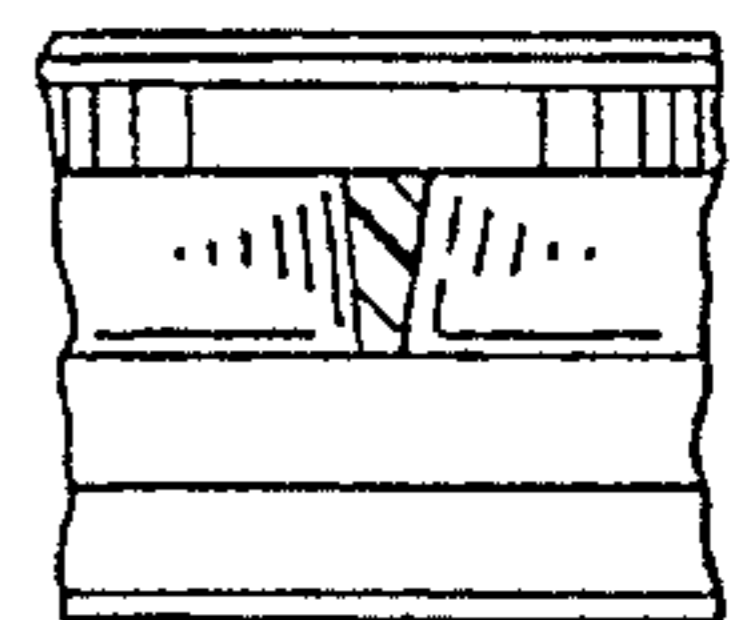


FIG. 11

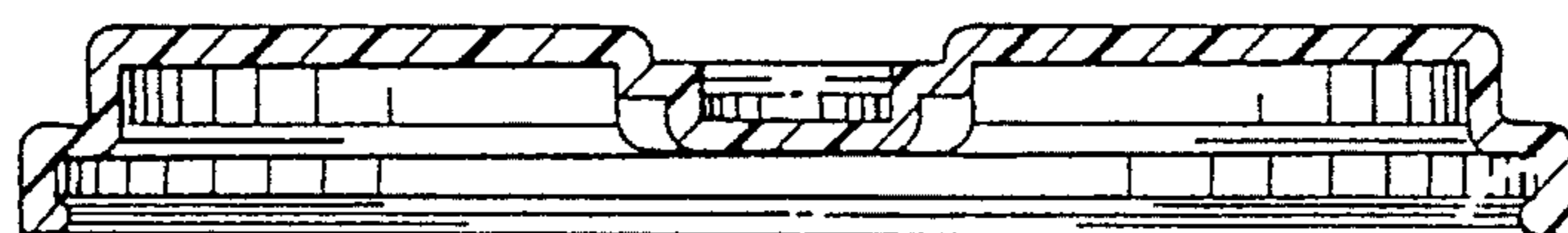


FIG. 4

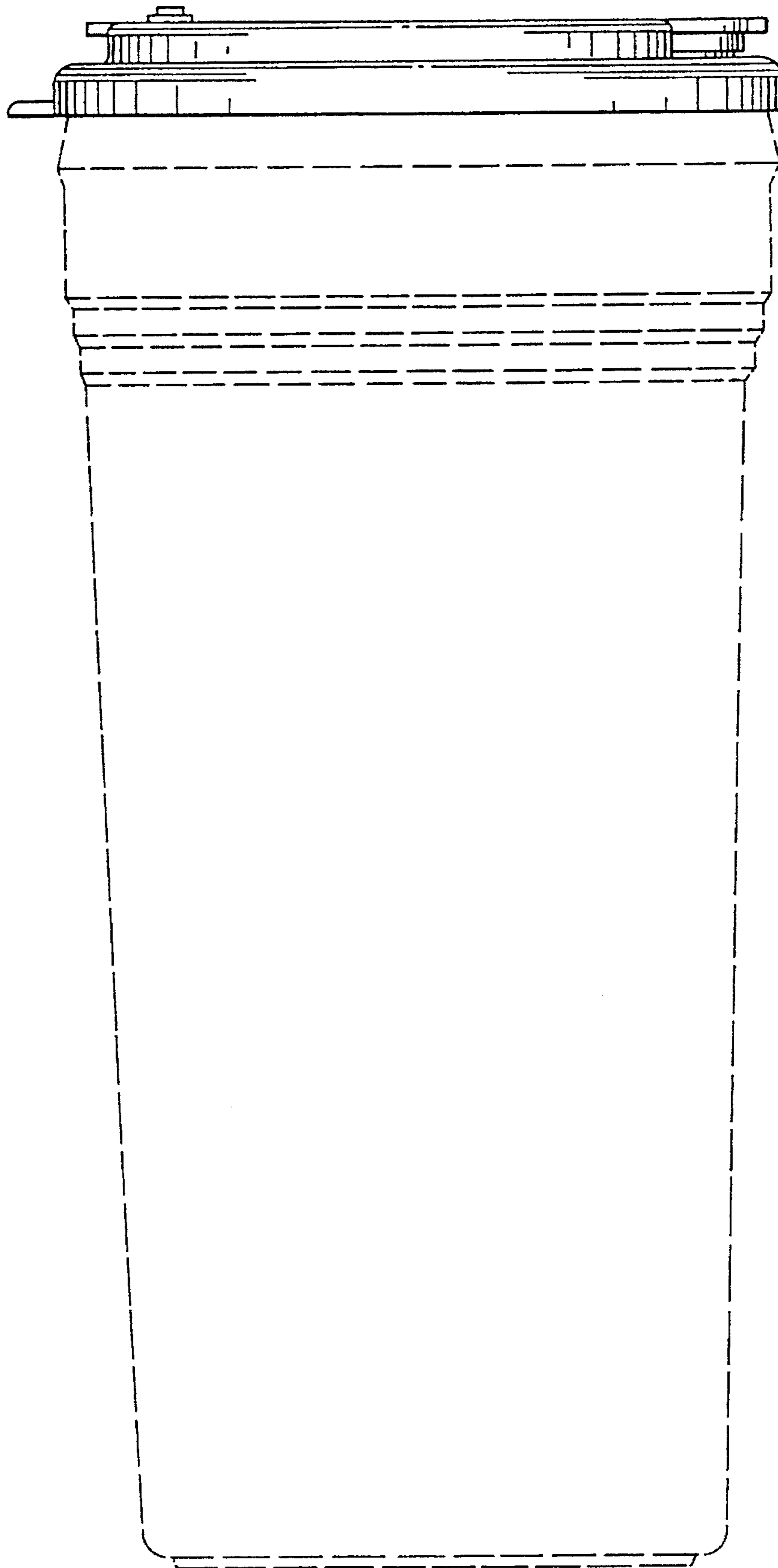


FIG. 5

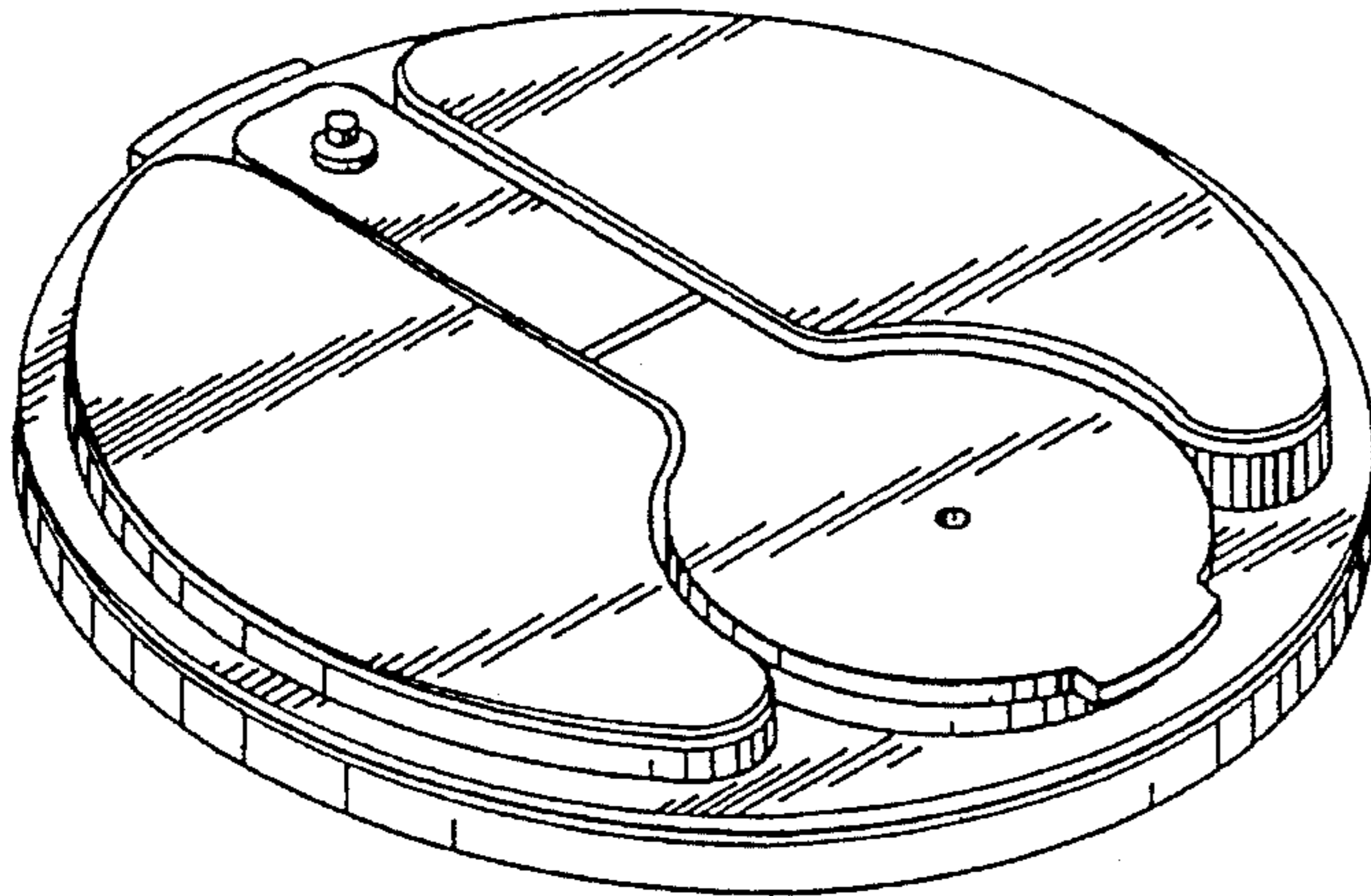


FIG. 6

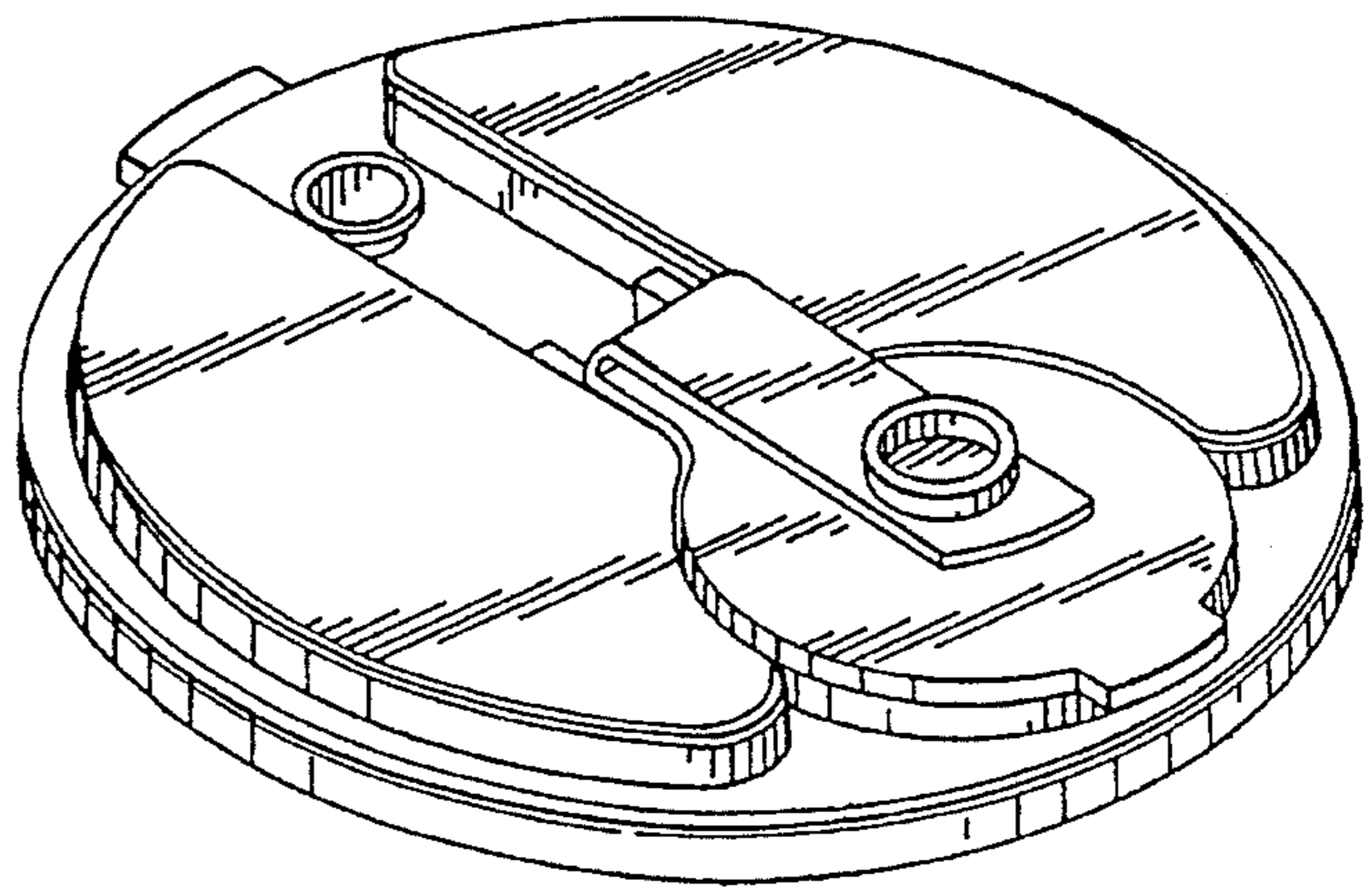


FIG. 7

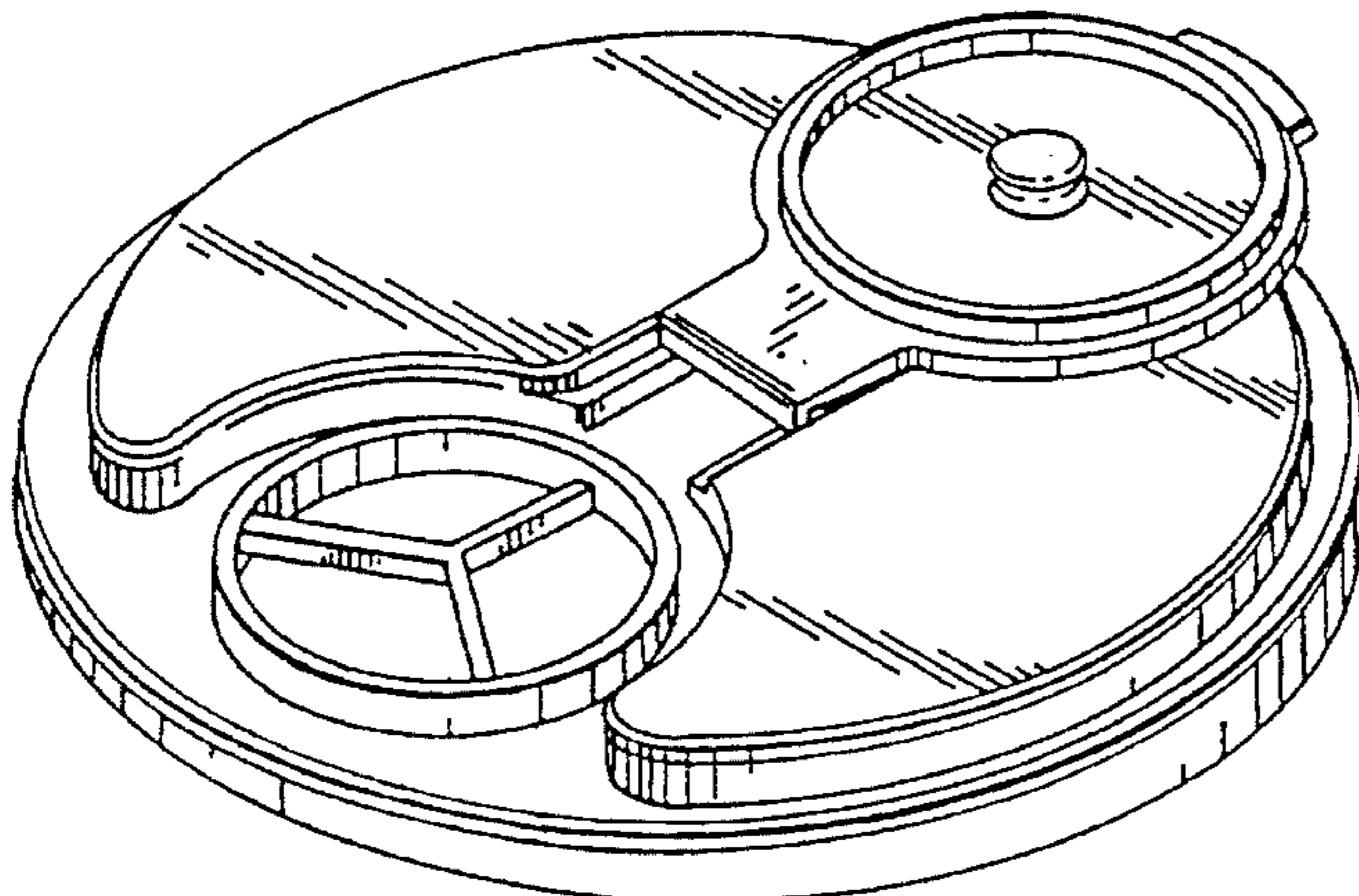


FIG. 14

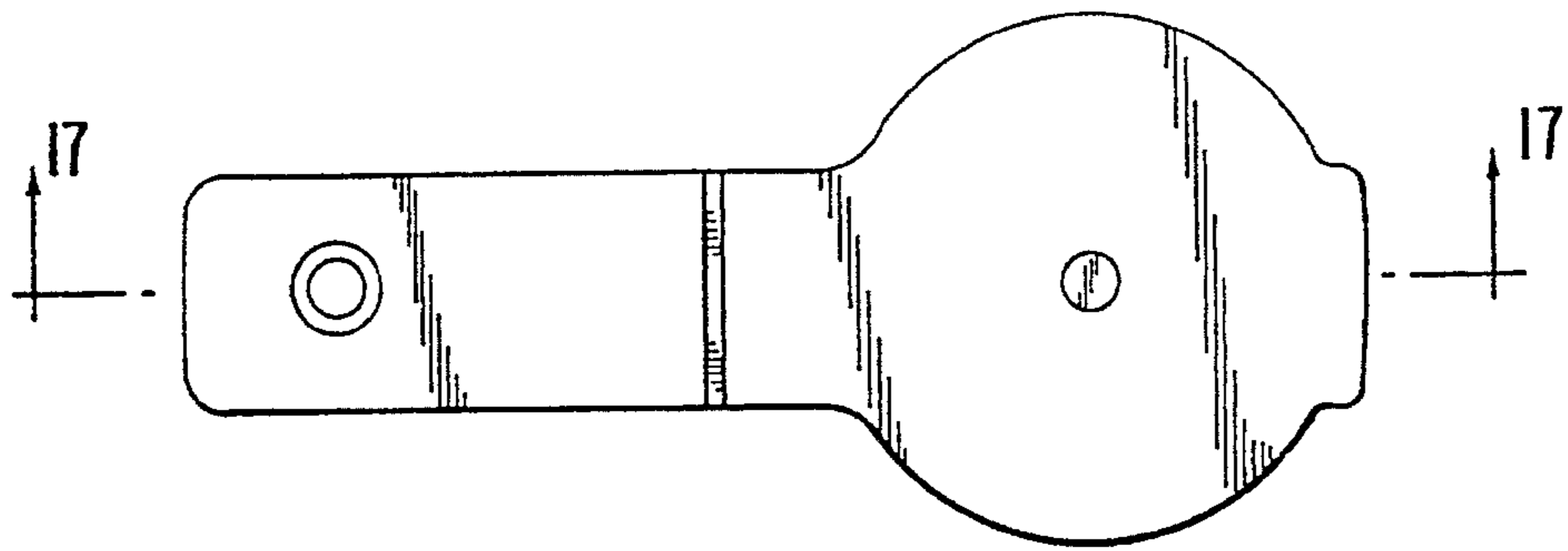


FIG. 15



FIG. 16

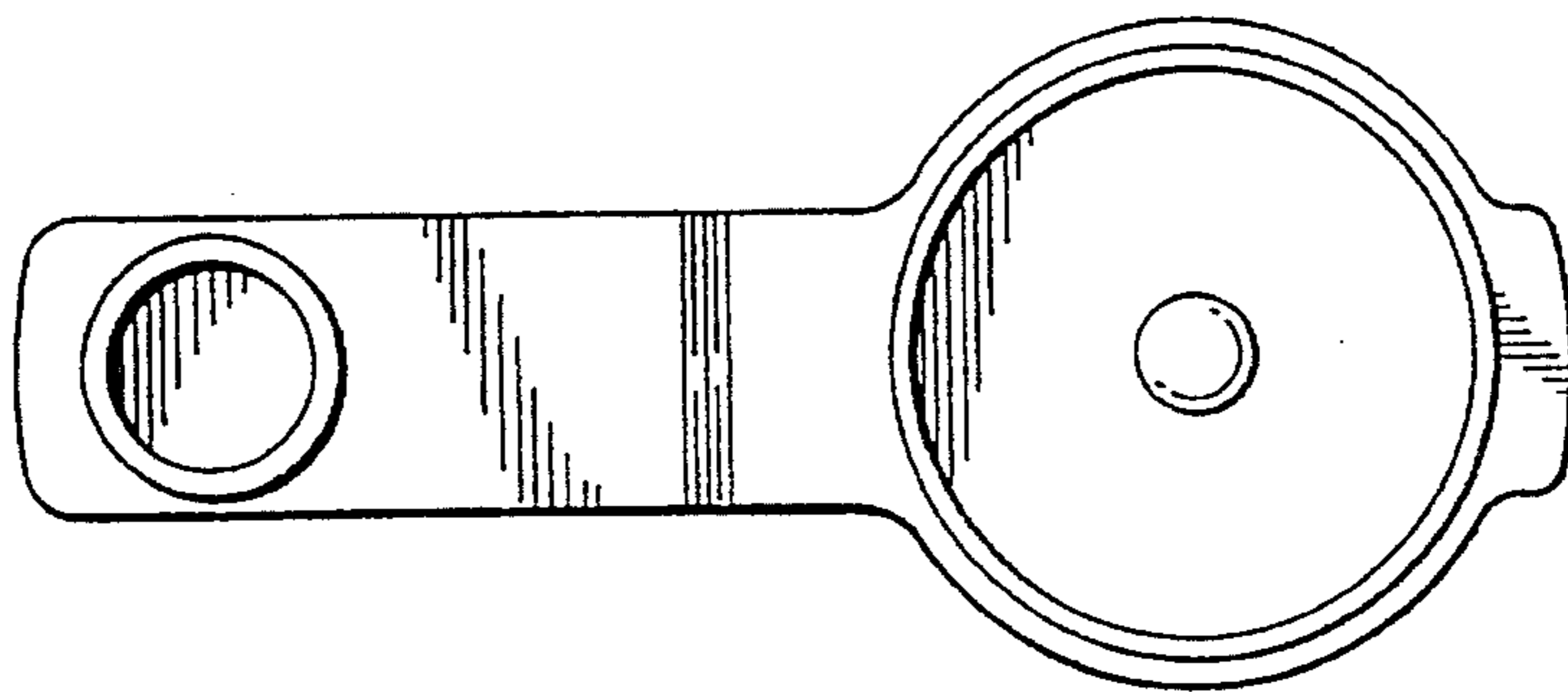


FIG. 17



FIG. 18



FIG. 19

