



US00D363669S

United States Patent [19]

Pennoyer, Jr.

[11] Patent Number: **Des. 363,669**

[45] Date of Patent: ****Oct. 31, 1995**

[54] CONTAINER

[76] Inventor: **Raymond P. Pennoyer, Jr.**, 97
Sturbridge La., Trumbull, Conn. 06610

[**] Term: **14 Years**

[21] Appl. No.: **22,847**

[22] Filed: **May 13, 1994**

[52] U.S. Cl. **D9/423**; D9/420; D3/292

[58] Field of Search D3/292, 281, 272;
D7/423, 420, 415, 424; 206/508, 501, 518,
235, 581, 45.14; 220/334, 335, 337, 339

D. 315,870	4/1991	Perdue, Jr. et al.	D9/420
D. 320,742	10/1991	Phan	D9/423
D. 330,161	10/1992	Schuh	D9/423
5,137,460	8/1992	Middleton	206/45.14

Primary Examiner—Ted Shooman
Assistant Examiner—Philip Hyder
Attorney, Agent, or Firm—Perman & Green

[57] CLAIM

The ornamental design for a container, as shown and described.

DESCRIPTION

FIG. 1 is a perspective view of a top, end and side of a container showing my new design;
FIG. 2 is a top plan view thereof;
FIG. 3 is a front elevational view thereof;
FIG. 4 is a bottom plan view thereof;
FIG. 5 is a rear elevational view thereof; and,
FIG. 6 is a side elevational view thereof; the opposite side being a mirror image.

1 Claim, 2 Drawing Sheets

[56] References Cited

U.S. PATENT DOCUMENTS

D. 275,339	9/1984	McKinnon	D3/281
D. 287,467	12/1986	Mallon	D9/423
D. 288,938	3/1987	Klodt	D9/420
D. 289,262	4/1987	Goetz et al.	D9/420
D. 293,279	12/1987	Evans	D9/420
D. 309,829	8/1990	Charet et al.	D3/275
D. 311,334	10/1990	Flynn et al.	D9/420

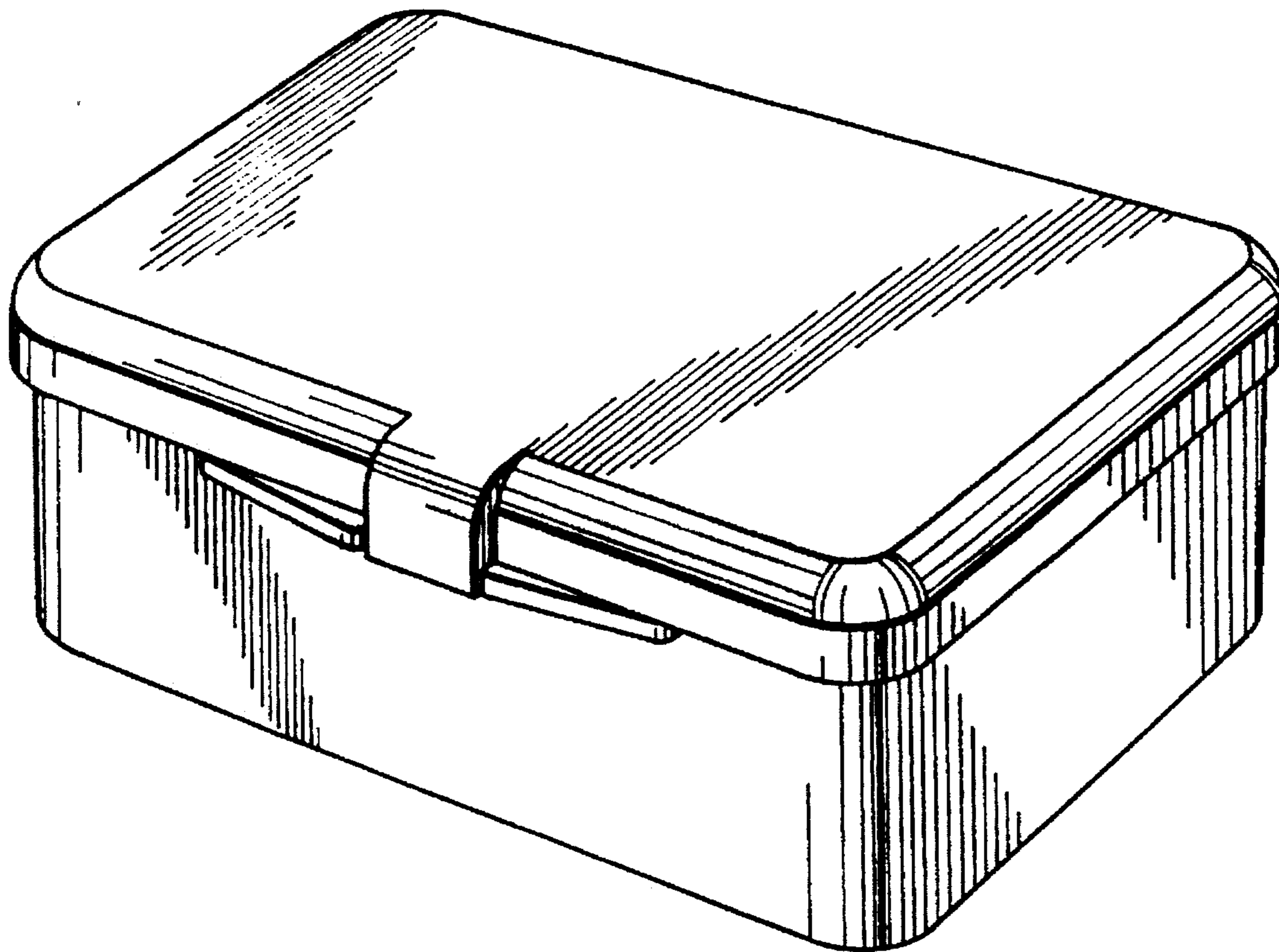


FIG. 1.

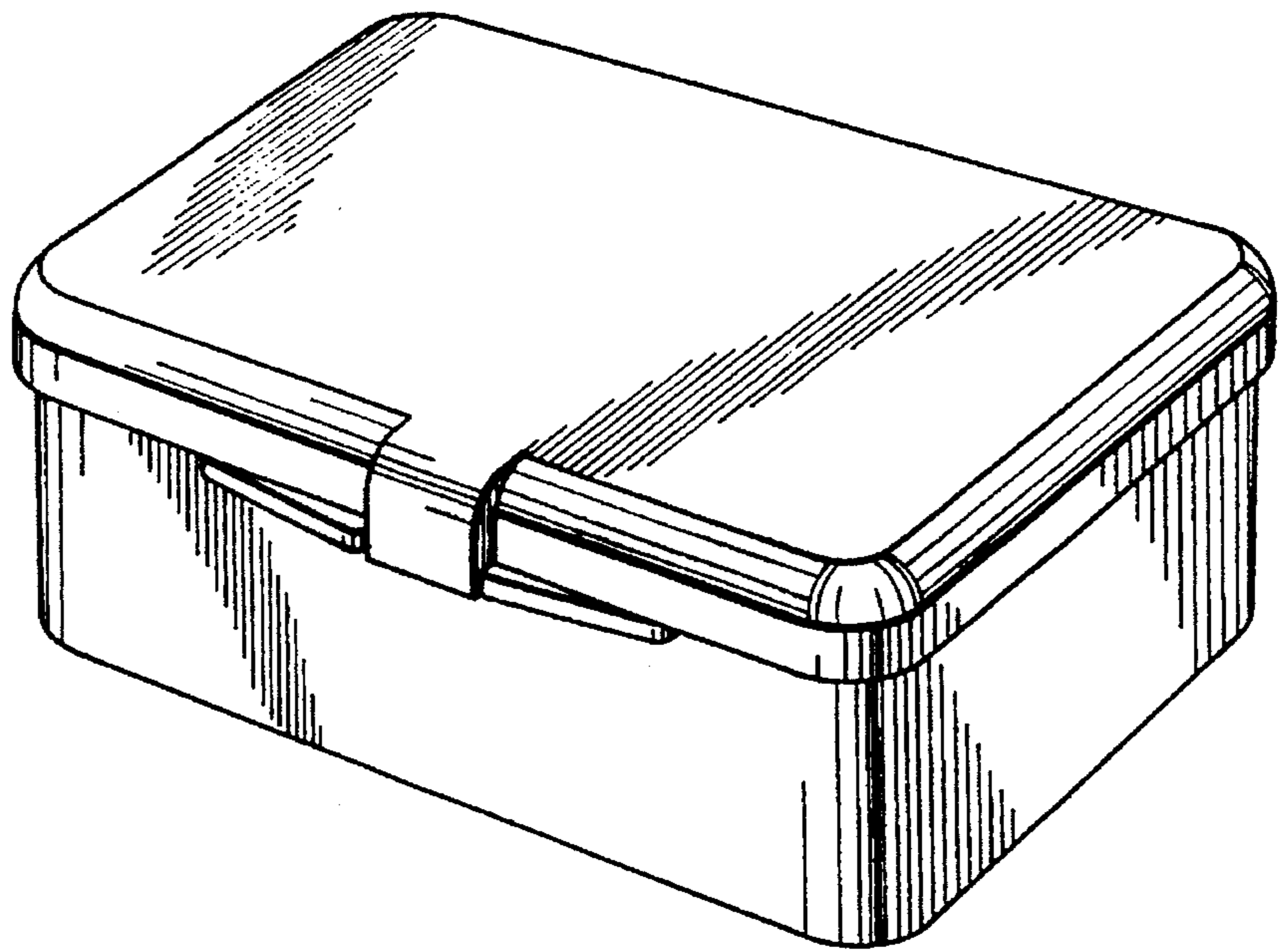


FIG. 2.

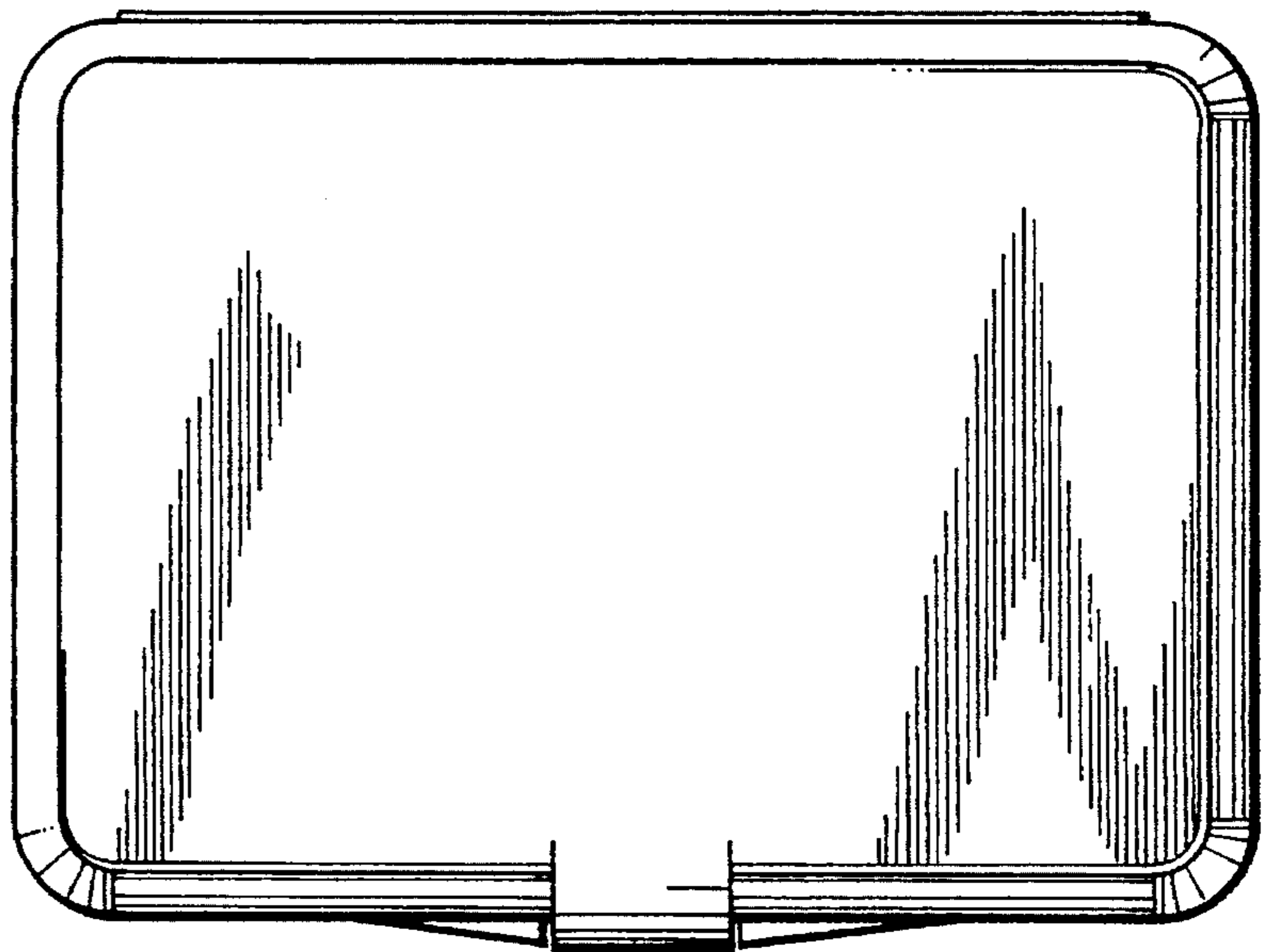


FIG. 3.

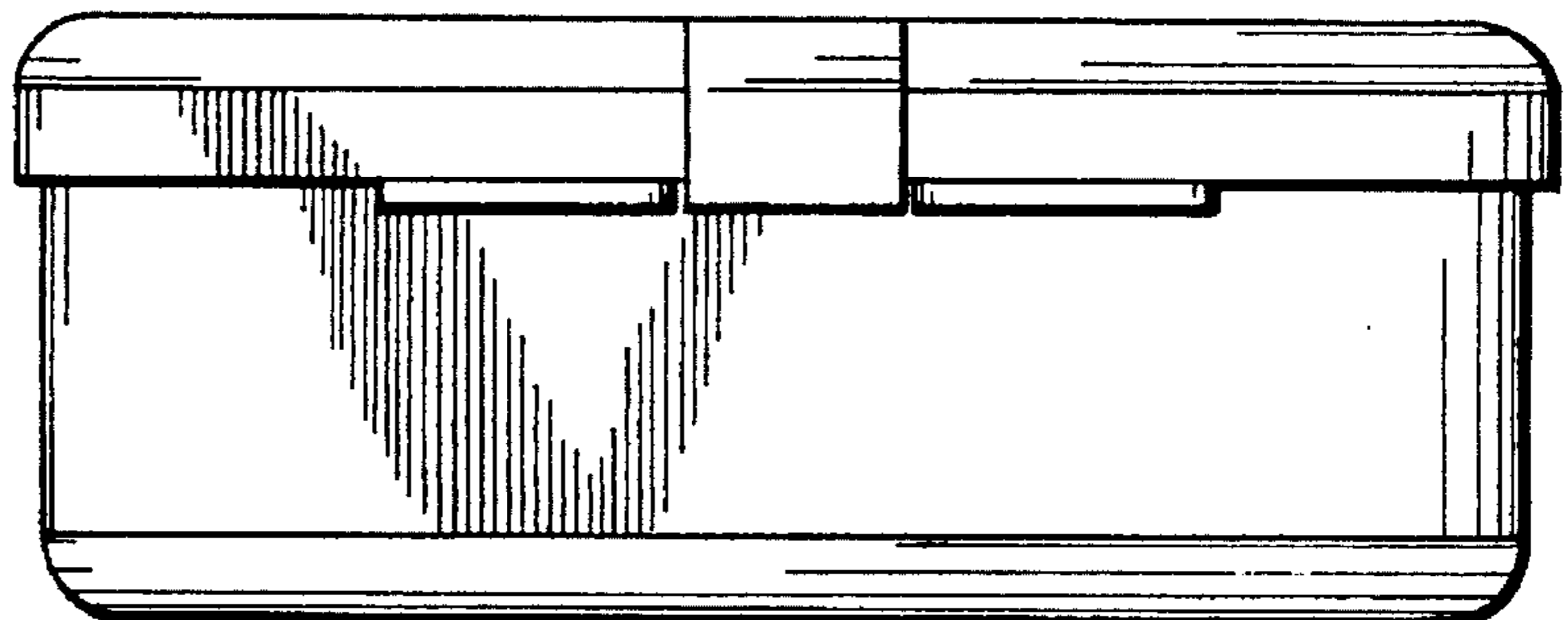


FIG. 4.

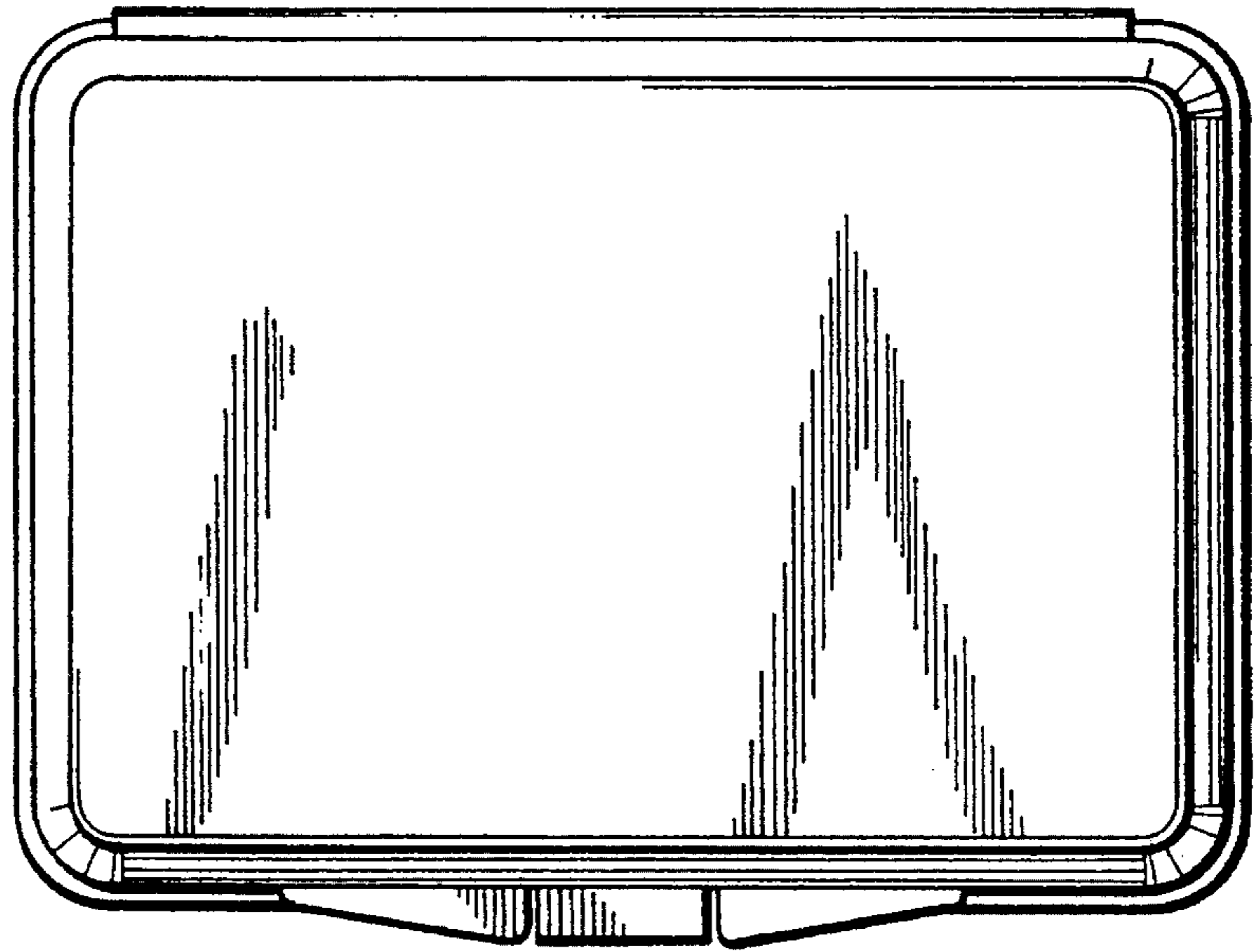


FIG. 5.

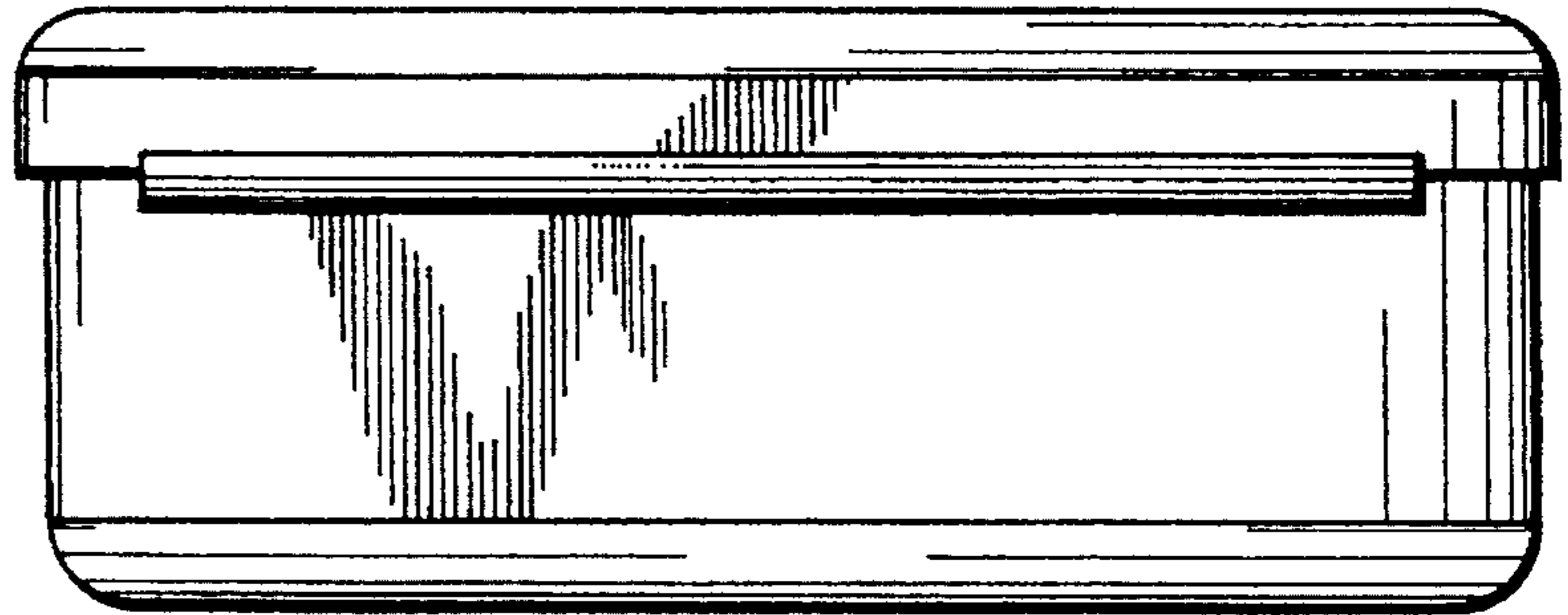
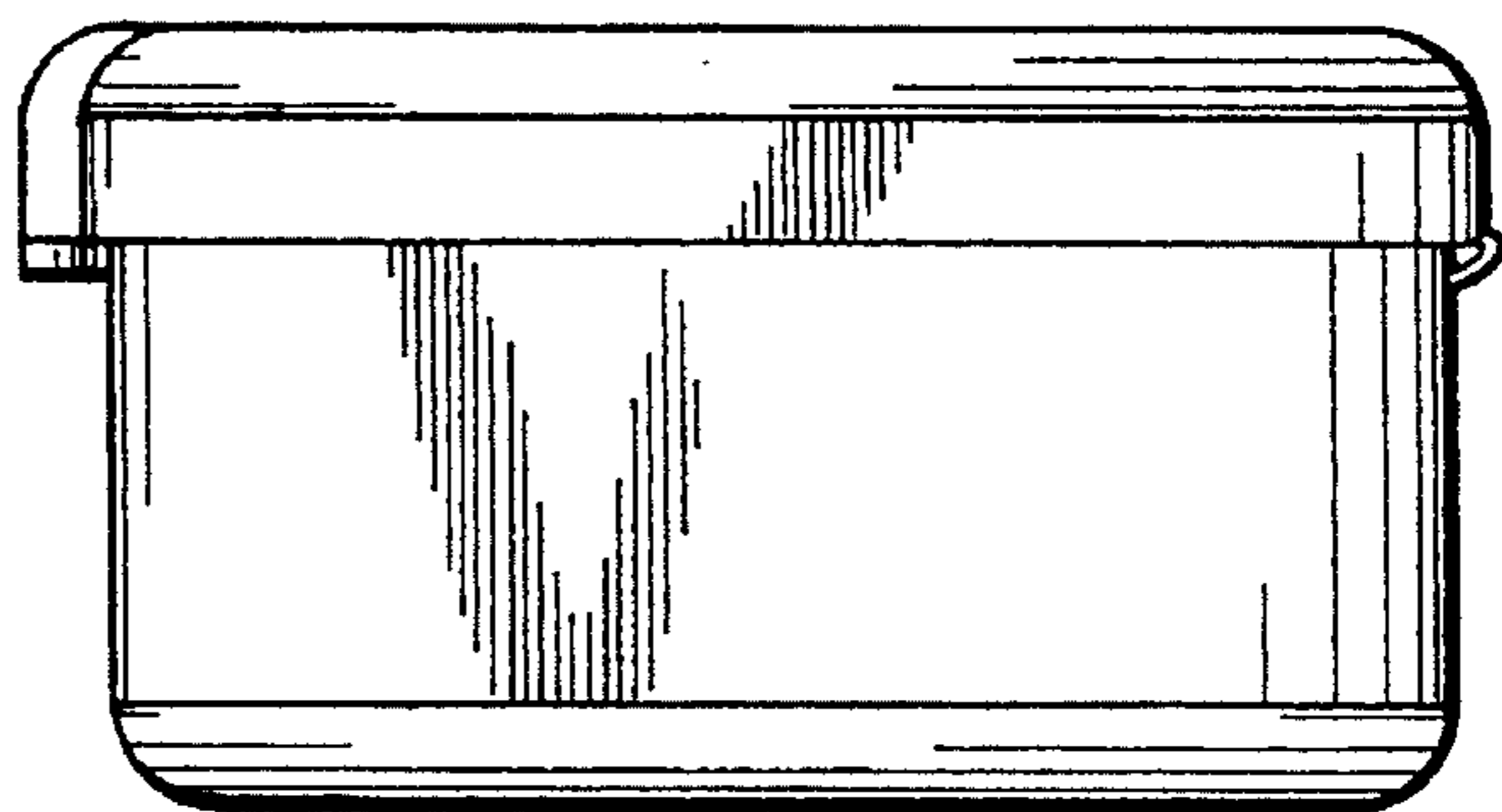


FIG. 6.





US00D363669B1

(12) **REEXAMINATION CERTIFICATE** (4515th)

United States Patent
Pennoyer, Jr.

(10) **Number:** **US D363,669 C1**
(45) **Certificate Issued:** **Jan. 8, 2002**

(54) **CONTAINER**

(75) **Inventor:** **Raymond P. Pennoyer, Jr., 97**
Sturbridge La., Trumbull, CT (US)
06610

(73) **Assignee:** **Raymond P. Pennoyer, Jr., Trumbull,**
CT (US)

Reexamination Request:
No. 90/005,421, Jul. 8, 1999

Reexamination Certificate for:
Patent No.: **Des. 363,669**
Issued: **Oct. 31, 1995**
Appl. No.: **29/022,847**
Filed: **May 13, 1994**

(51) **LOC (7) Cl.** **09-03**
(52) **U.S. Cl.** **D9/423; D9/420; D3/292**

(58) **Field of Search** D3/292, 281, 272;
D9/420, 423, 424, 415; 206/508, 501, 518,
235, 581; 220/334, 335, 337, 339

(56) **References Cited**

U.S. PATENT DOCUMENTS

D257,790 S * 1/1981 Kesling D9/424
D307,354 S * 4/1990 Knotter et al. D3/294

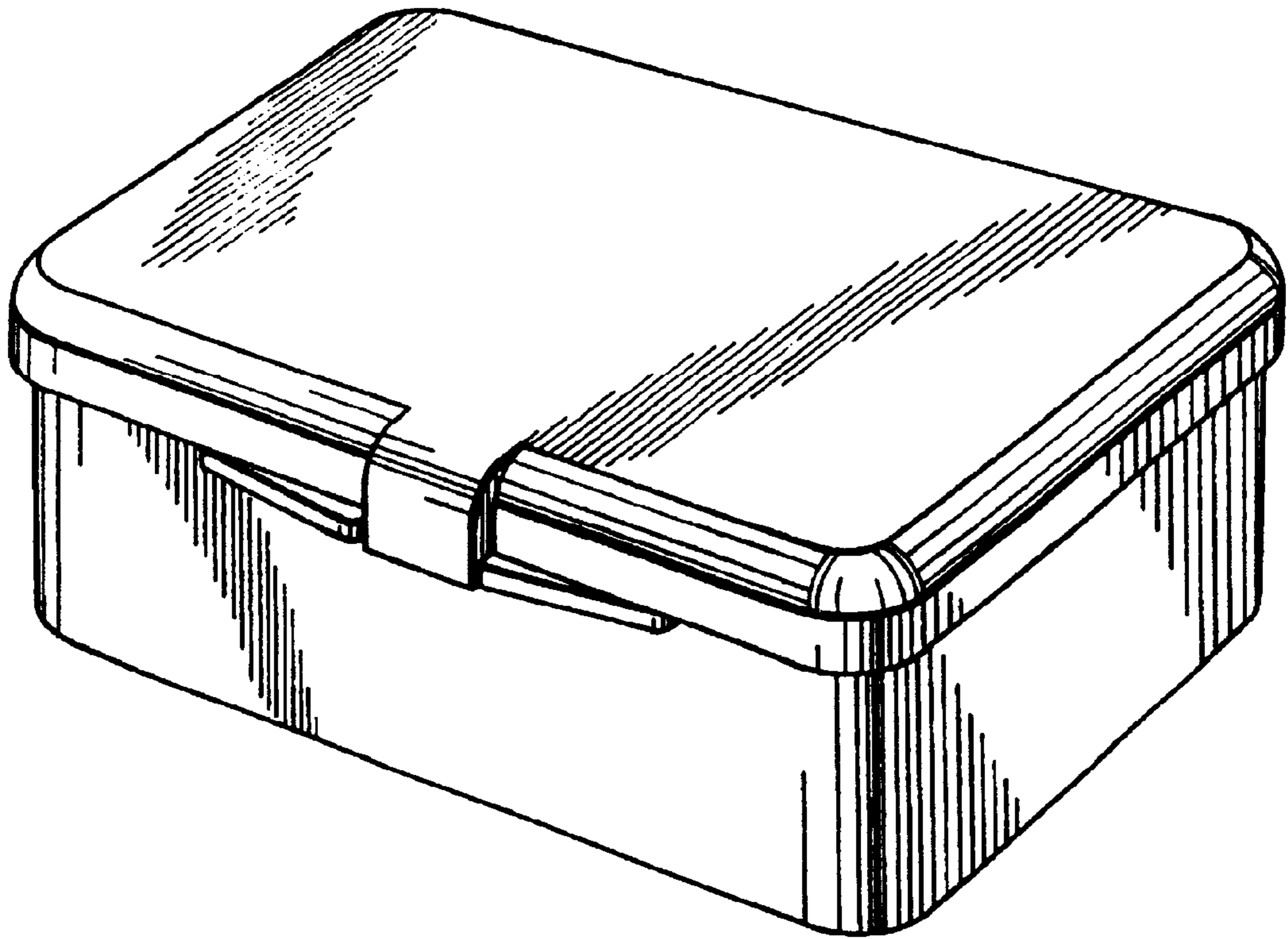
OTHER PUBLICATIONS

Acme United Corporation, First Aid Kit Container 3300,
1992.*

“First Aid Personal Kit” flyer, front and back. Copyright
1992 by Acme United Corporation, Fairfield, Connecticut.

* cited by examiner

Primary Examiner—Philip S. Hyder



1
REEXAMINATION CERTIFICATE
ISSUED UNDER 35 U.S.C. 307
THE PATENT IS HEREBY
AMENDED AS INDICATED
BELOW.

2
AS A RESULT OF REEXAMINATION, IT HAS BEEN
DETERMINED THAT:

5 The single design claim is cancelled.

* * * * *