



US00D363666S

United States Patent [19]

[11] Patent Number: **Des. 363,666**

Goto et al.

[45] Date of Patent: ****Oct. 31, 1995**

[54] LID FOR CONTAINERS

[75] Inventors: **Toru Goto; Yukari Kawamura**, both of Tokyo, Japan

[73] Assignee: **Nippon Sanso Corporation**, Tokyo, Japan

[**] Term: **14 Years**

[21] Appl. No.: **19,309**

[22] Filed: **Feb. 28, 1994**

[30] Foreign Application Priority Data

Sep. 28, 1993 [JP] Japan 5-29220

[52] U.S. Cl. **D9/449; D9/447**

[58] Field of Search D7/317, 396.2, D7/510.11; D9/434-436, 438, 440, 443, 445-447, 449, 453-454; 215/211, 216, 232, 235, 237, 246, 251, 253; 220/259, 266, 268, 283, 288, 334, 337-338, 344, 359, 375, 711, 713, 715; 222/480, 485, 545

[56] References Cited

U.S. PATENT DOCUMENTS

D. 296,523	7/1988	Corno et al.	D9/435
D. 318,777	8/1991	Freese	D9/446
D. 332,891	2/1993	Cumberland	D7/396.2
4,305,533	12/1981	Wightman et al.	D7/396.2
4,520,942	6/1985	Dwinell	D9/438

Primary Examiner—Alan P. Douglas

Assistant Examiner—Robert M. Spear
Attorney, Agent, or Firm—Lowe, Price, LeBlanc & Becker

[57] CLAIM

The ornamental design for the lid for containers, as shown and described.

DESCRIPTION

FIG. 1 is a perspective view of a lid for containers showing our new design;

FIG. 2 is a front elevational view thereof, the opposite side being a mirror image;

FIG. 3 is a left side elevational view thereof;

FIG. 4 is a right side elevational view thereof;

FIG. 5 is a top plan view thereof;

FIG. 6 is a bottom view thereof;

FIG. 7 is a cross-sectional view thereof, taken along line 7—7 of FIG. 5;

FIG. 8 is a cross-sectional view thereof, taken along line 8—8 of FIG. 2;

FIG. 9 is a top plan view thereof, the spout in an open position;

FIG. 10 is a cross-sectional view thereof, taken along line 10—10 of FIG. 9; and,

FIG. 11 is a cross-sectional view of the lid of FIGS. 1—8, taken along line 8—8 of FIG. 2 and shown in use on a container.

The broken line showing of a drink container is for illustrative purposes only and forms no part of the claimed design.

1 Claim, 5 Drawing Sheets

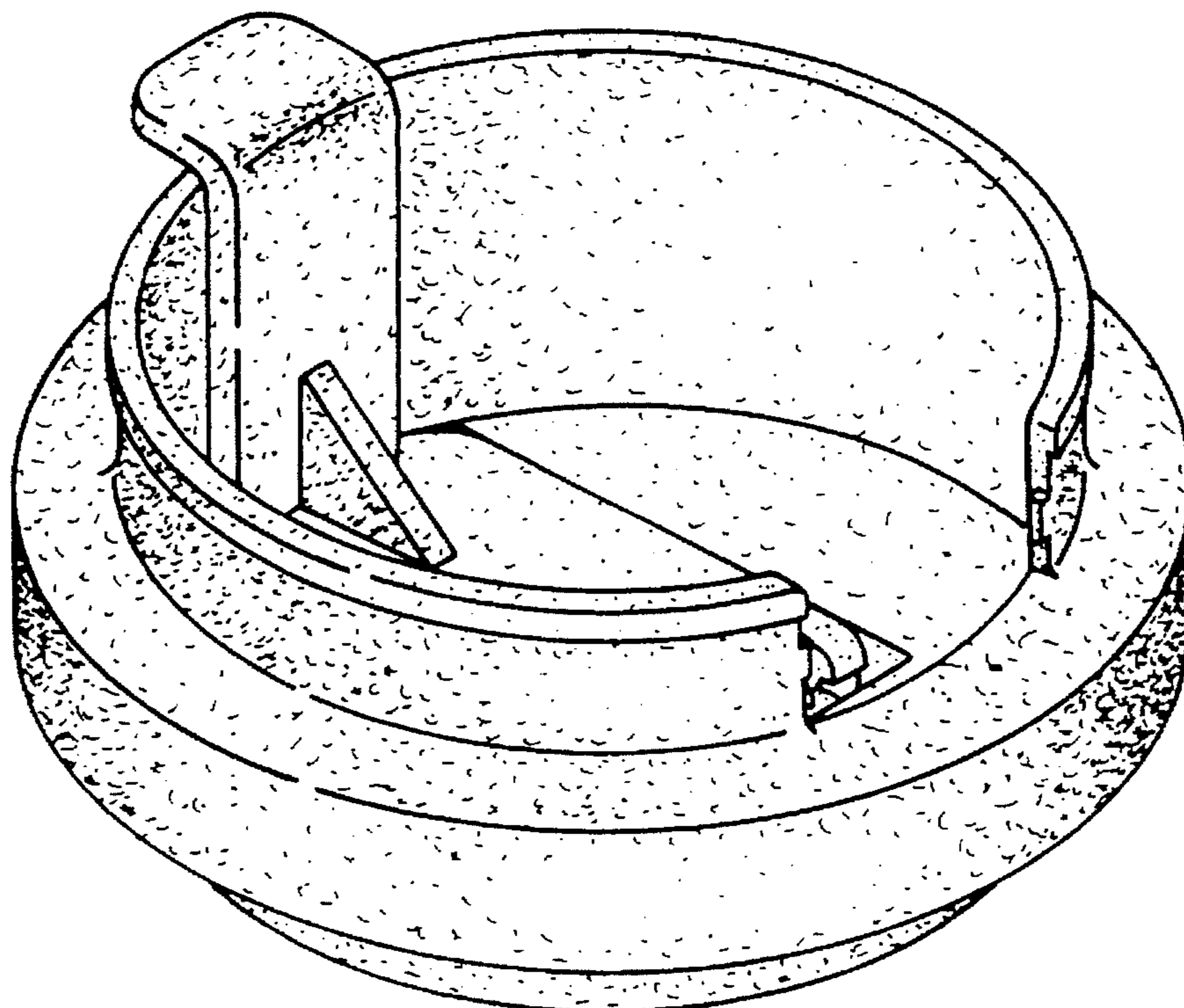


FIG. 1

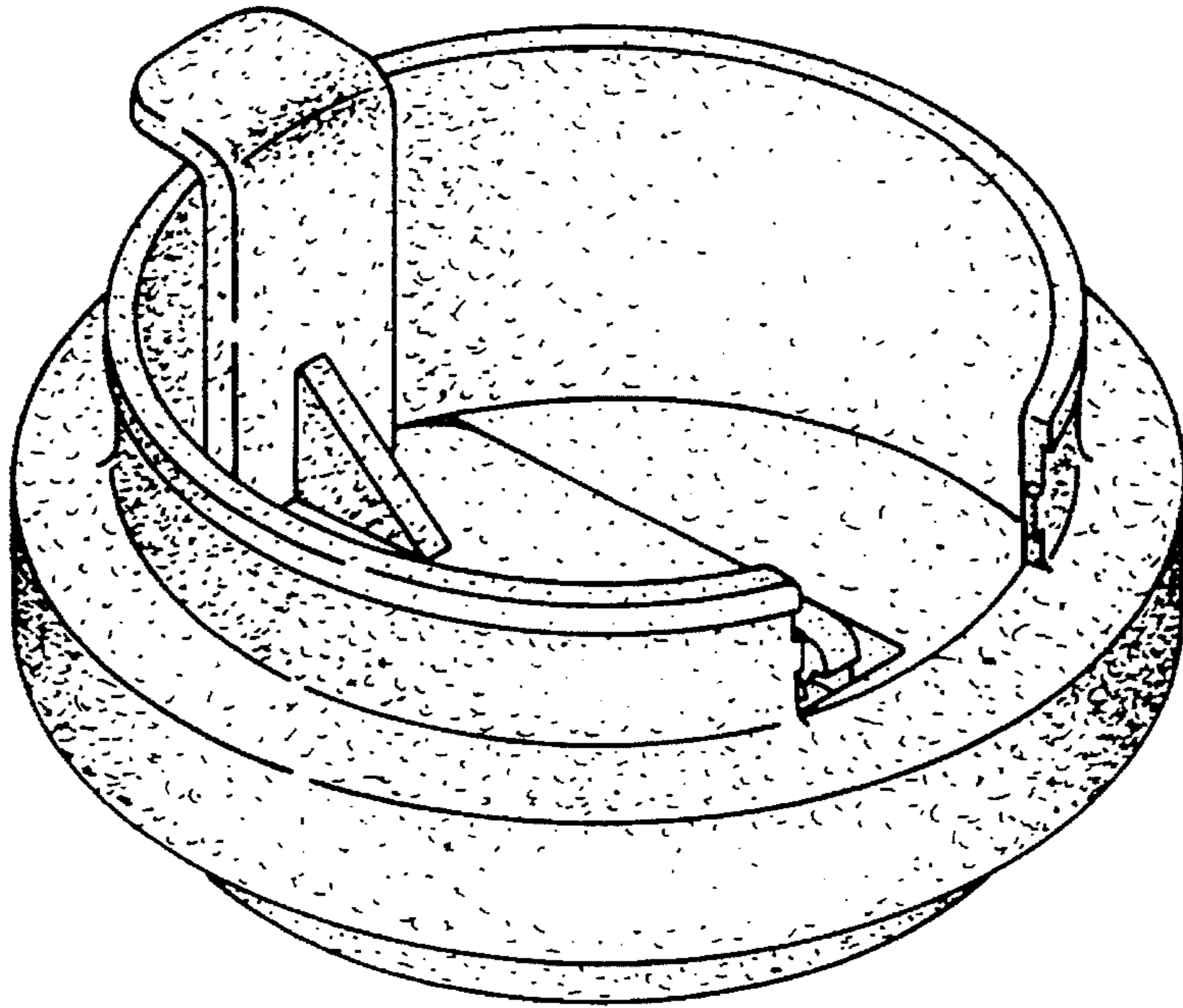


FIG. 2

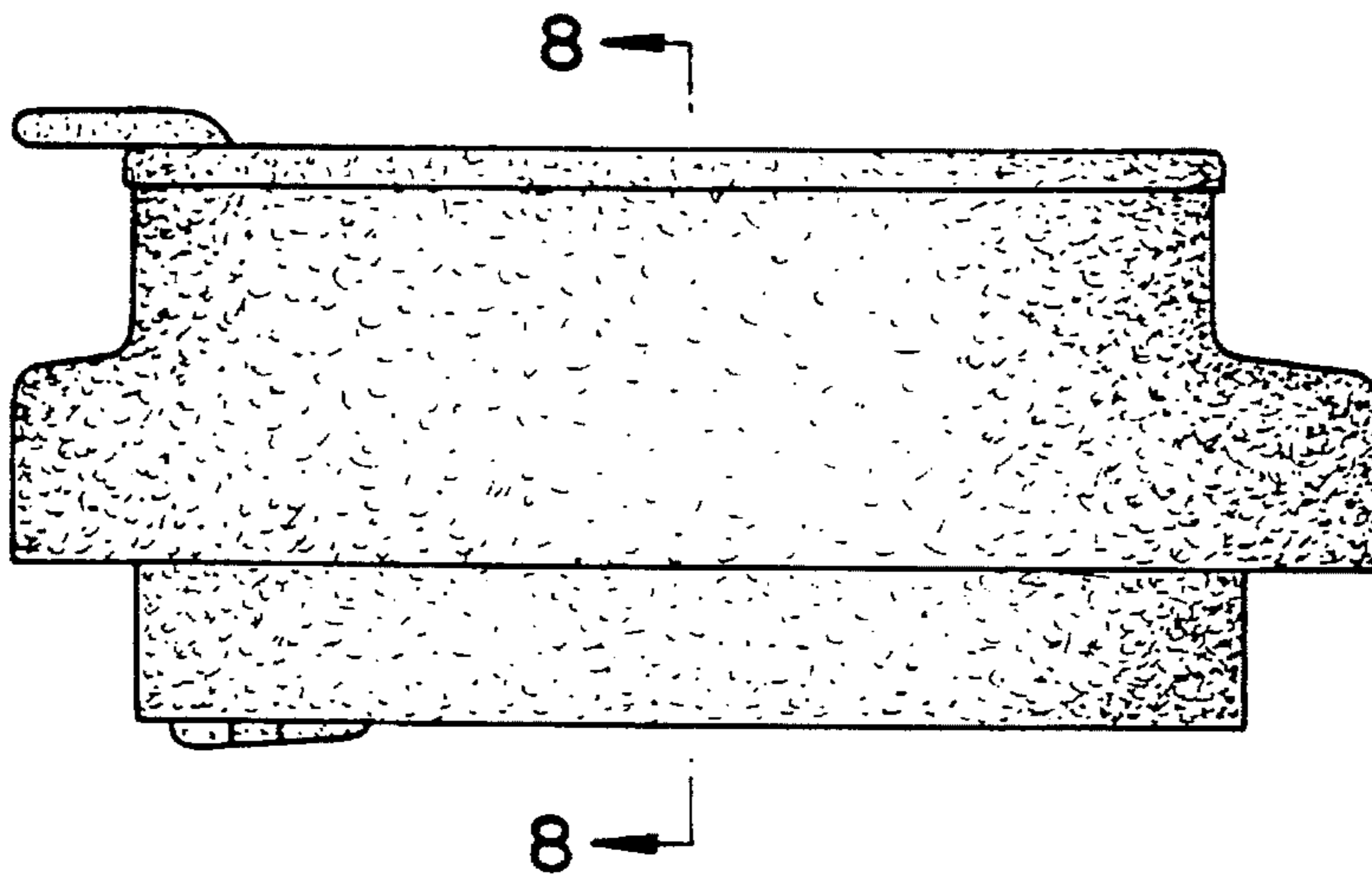


FIG. 3

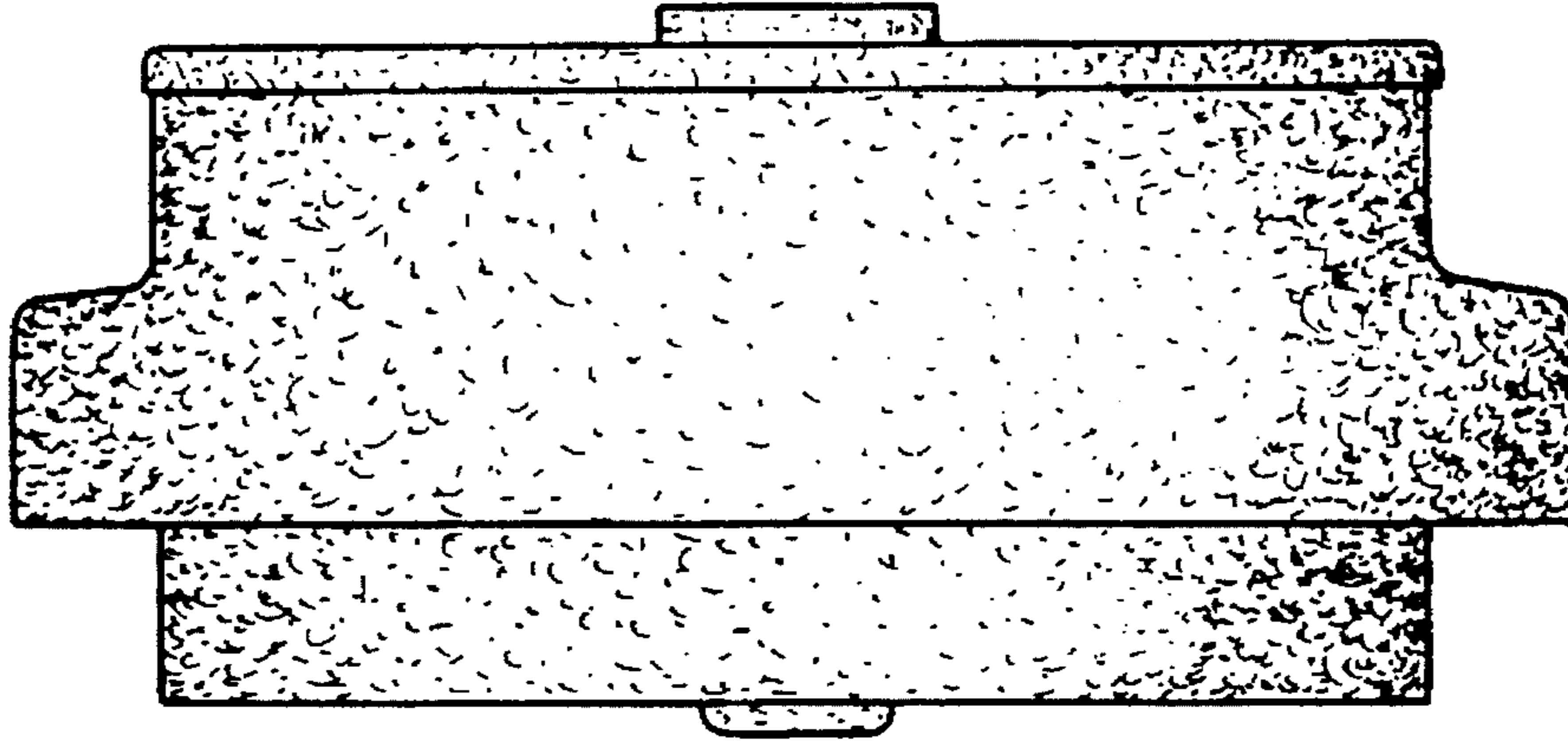


FIG. 4

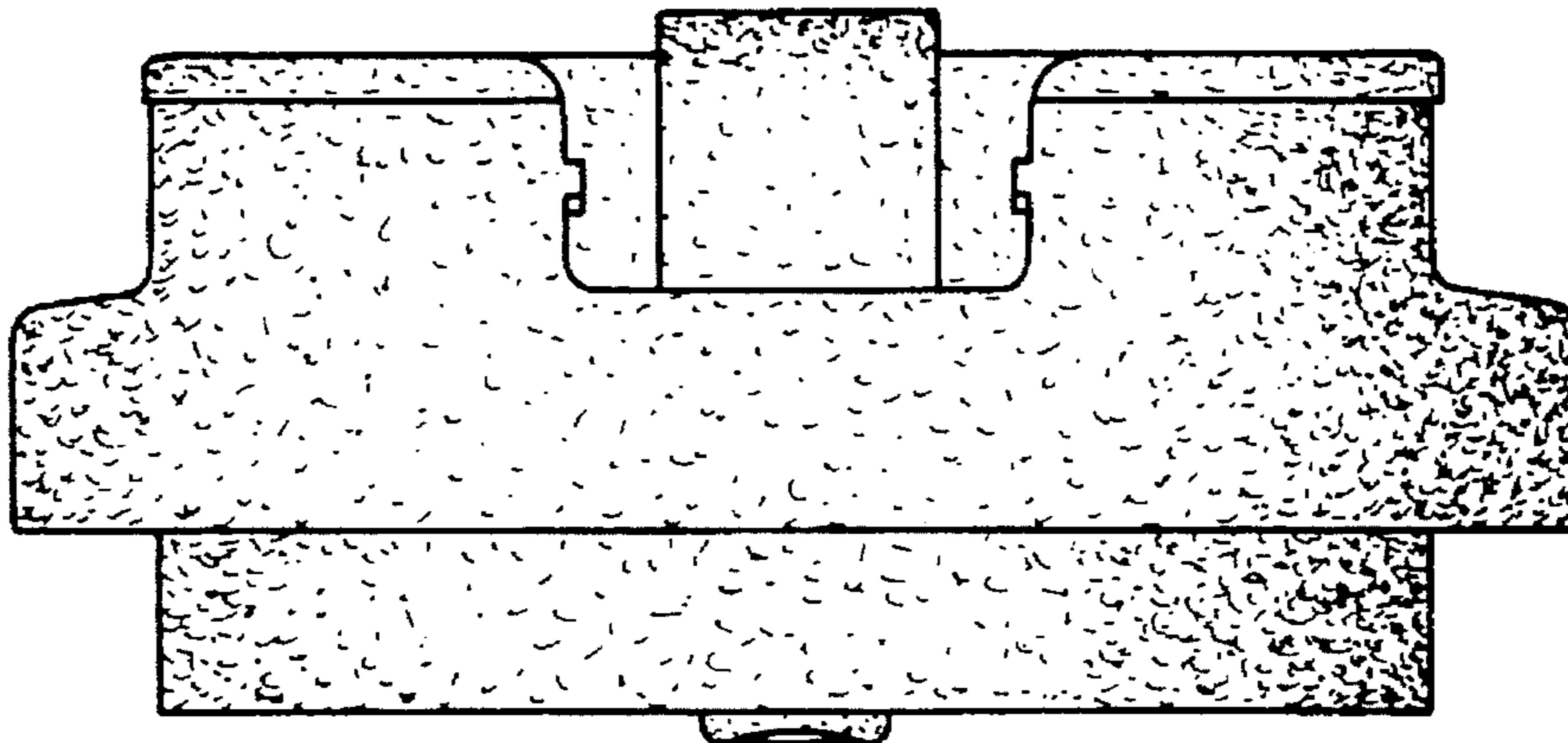


FIG. 5

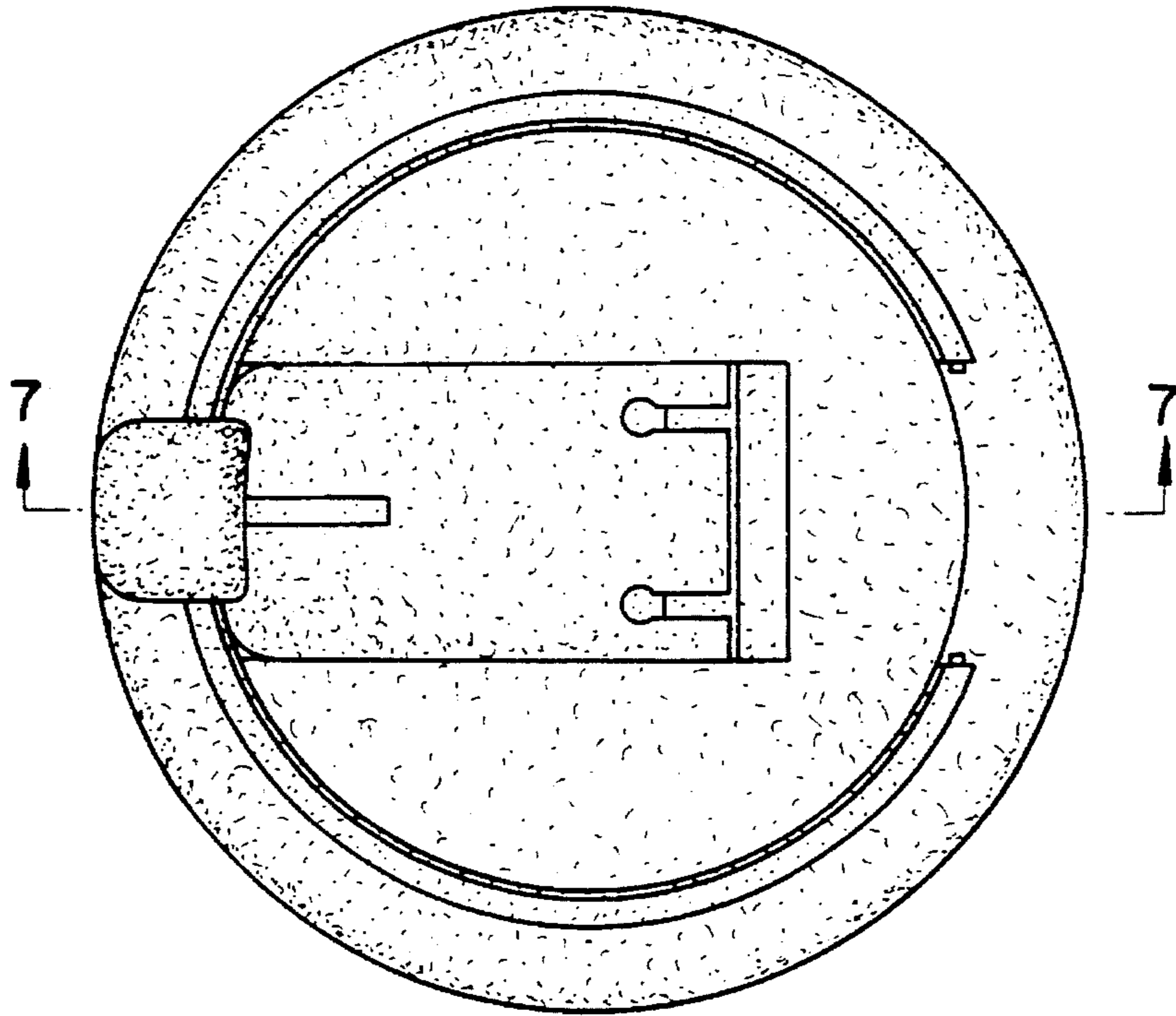


FIG. 6

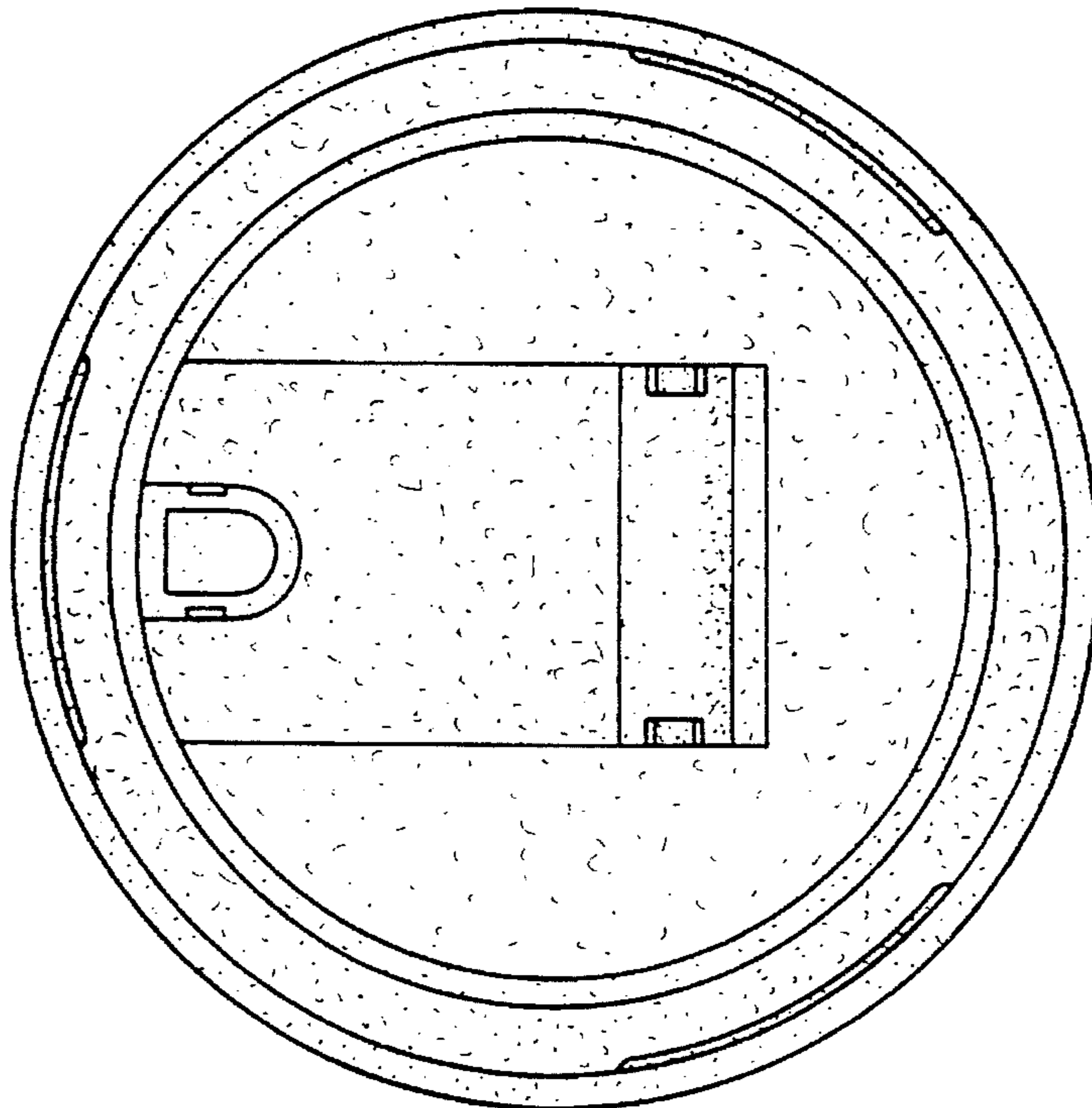


FIG. 7

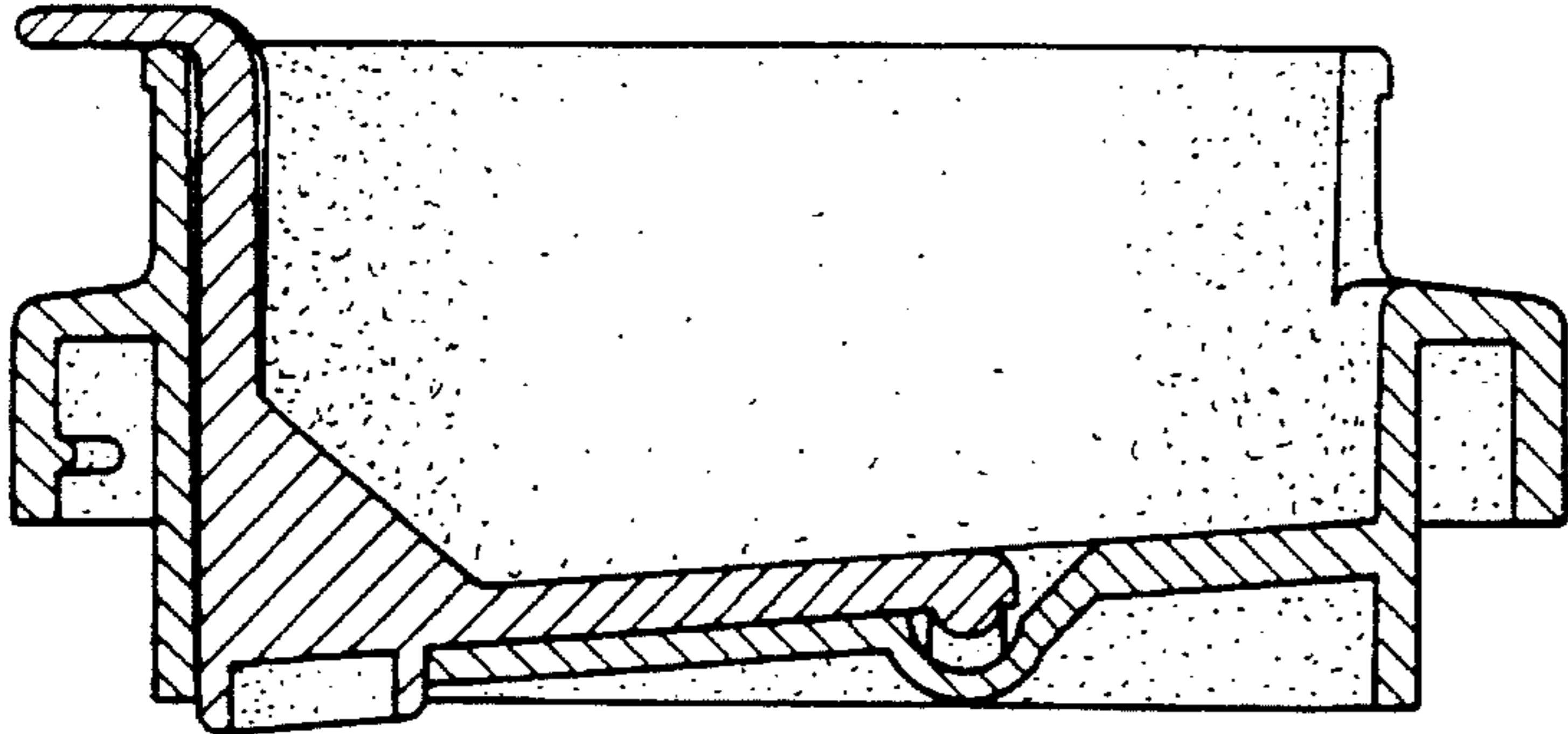


FIG. 8

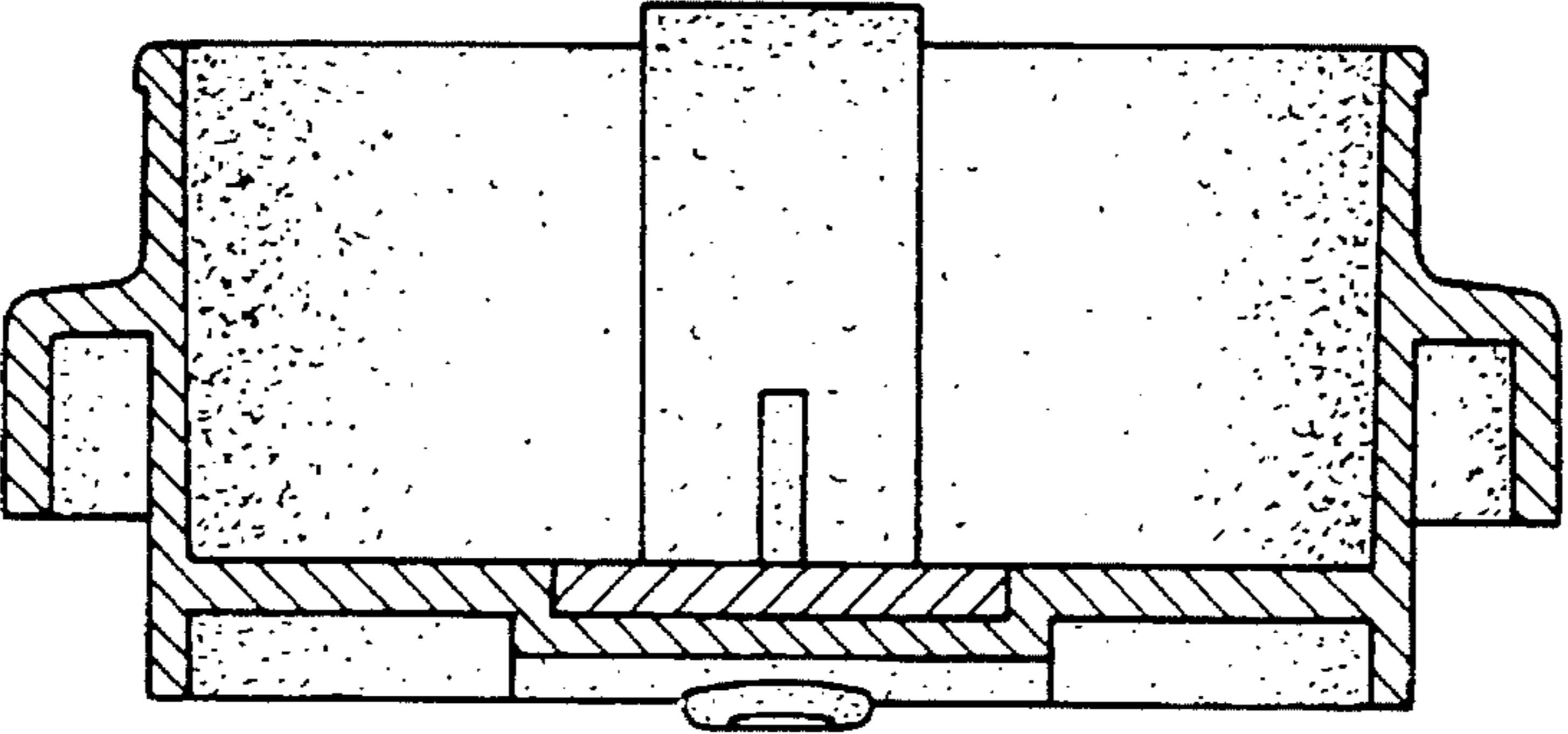


FIG. 10

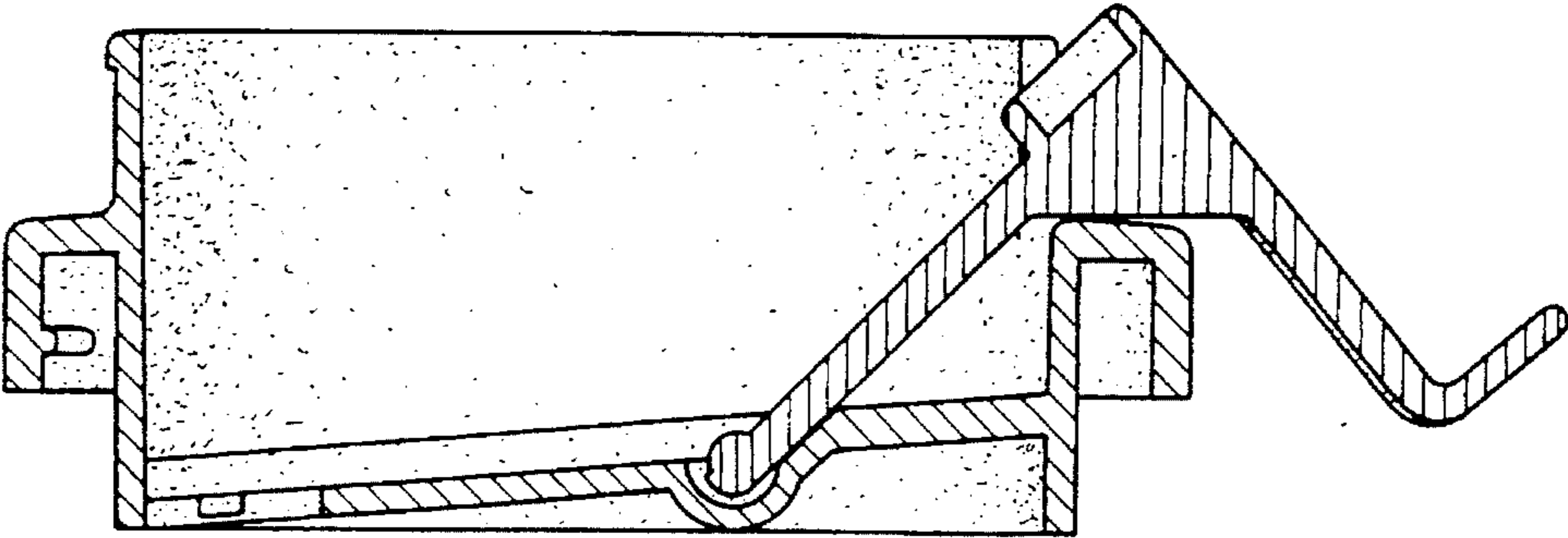


FIG.9

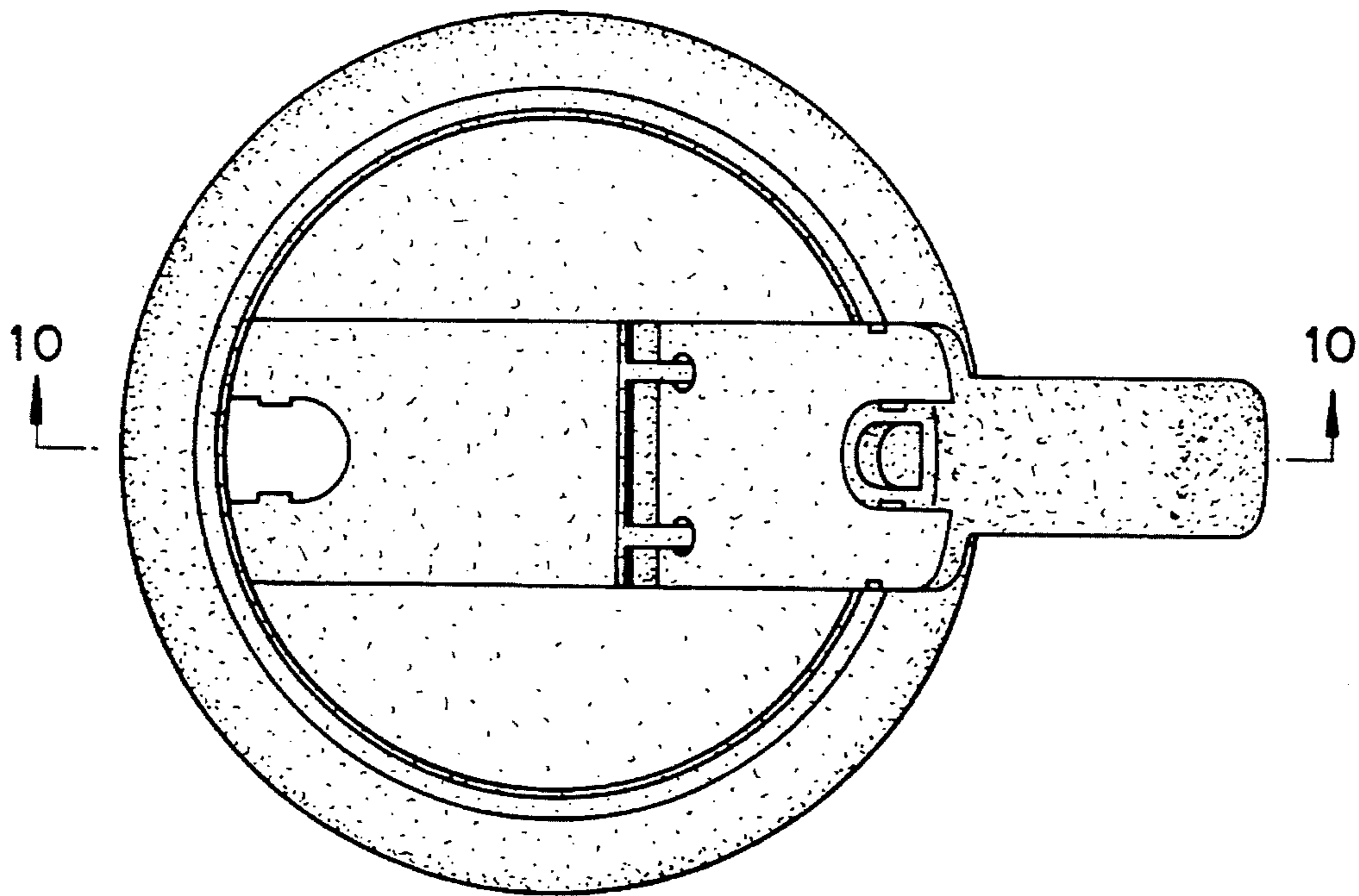


FIG. 11

