



US00D363665S

United States Patent [19]

[11] Patent Number: **Des. 363,665**

Goto et al.

[45] Date of Patent: ****Oct. 31, 1995**

[54] **LID FOR DRINK CONTAINERS**
[75] Inventors: **Toru Goto; Yukari Kawamura**, both of Tokyo, Japan

D. 350,481 9/1994 DeLury D9/436
D. 353,973 1/1995 Adado D7/510
3,734,333 5/1973 Foss D9/438

[73] Assignee: **Nippon Sanso Corporation**, Tokyo, Japan

Primary Examiner—Alan P. Douglas
Assistant Examiner—Robert M. Spear
Attorney, Agent, or Firm—Lowe, Price, LeBlanc & Becker

[**] Term: **14 Years**

[57] CLAIM

[21] Appl. No.: **19,306**

The ornamental design for the lid for drink containers, as shown and described.

[22] Filed: **Feb. 28, 1994**

DESCRIPTION

[30] Foreign Application Priority Data

FIG. 1 is a perspective view of a lid for drink containers showing our new design;
FIG. 2 is a front elevational view thereof;
FIG. 3 is a top plan view thereof;
FIG. 4 is a bottom plan view thereof;
FIG. 5 is a cross-sectional view thereof taken along line 5—5 of FIG. 3;
FIG. 6 is a 6—6 cross-sectional view thereof, taken along line B—B of FIG. 2; and,
FIG. 7 is a cross-sectional view thereof, taken along line 5—5 of FIG. 3, and shown in use on a container.
The rear, left side and right side elevational views are identical with the front elevational view.
The broken line showing of a drink container is for illustrative purposes only and forms no part of the claimed design.

Sep. 28, 1993 [JP] Japan 5-29221

[52] U.S. Cl. **D9/434; D7/511; D9/447**

[58] Field of Search D7/396.2, 317, D7/510—511, 622, 629; D9/434—436, 438, 440, 443, 445—447, 449, 453—454; 215/211, 216, 232, 235, 237, 253, 246, 251; 220/259, 266, 268, 283, 288, 334, 337—338, 344, 359, 375, 711, 713, 715; 222/480, 485, 545

[56] References Cited

U.S. PATENT DOCUMENTS

D. 247,840 5/1978 Dixon D7/510
D. 263,932 4/1982 Daenen et al. D9/434
D. 325,848 5/1992 Embree D7/510

1 Claim, 4 Drawing Sheets

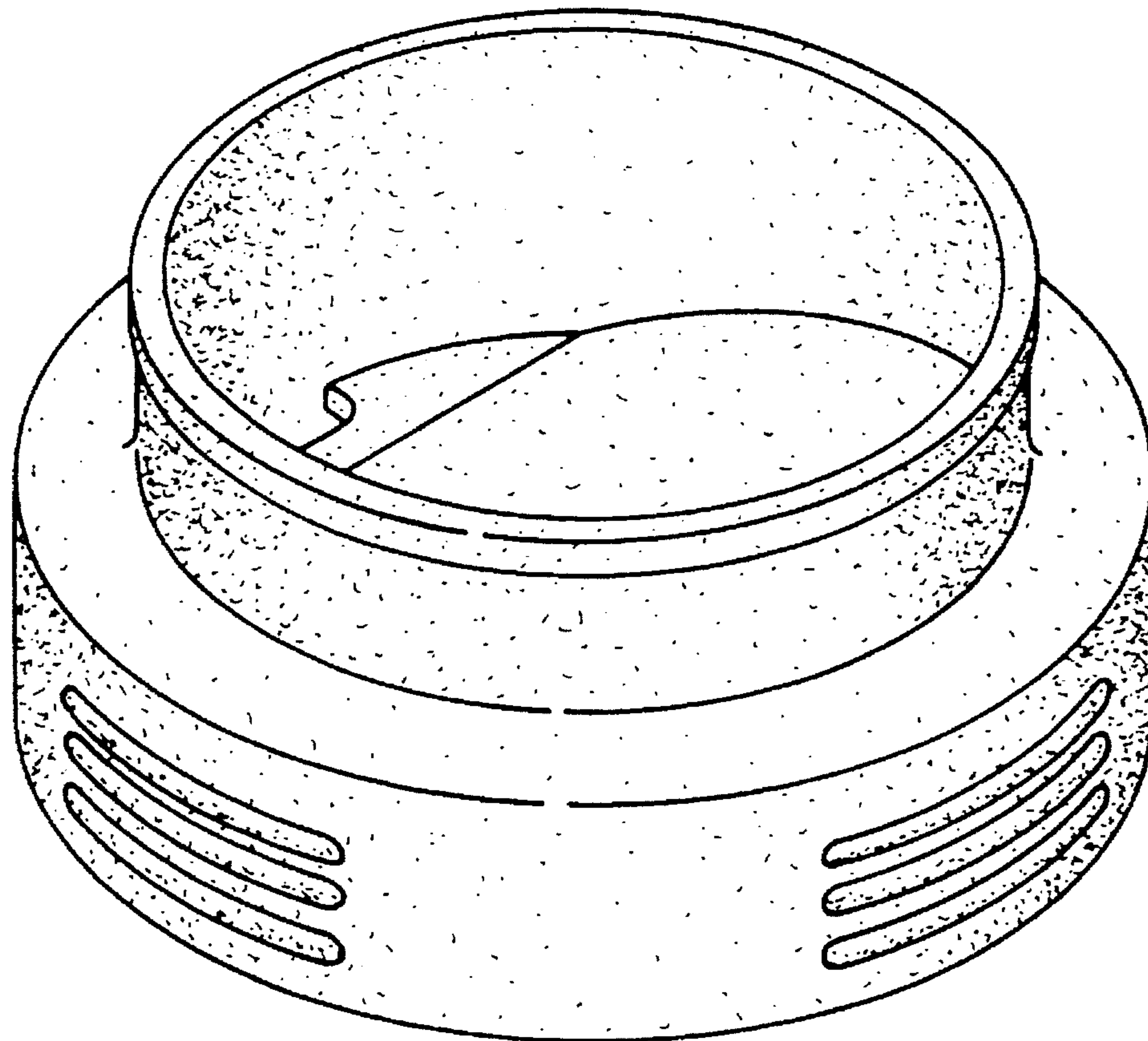


FIG. 1

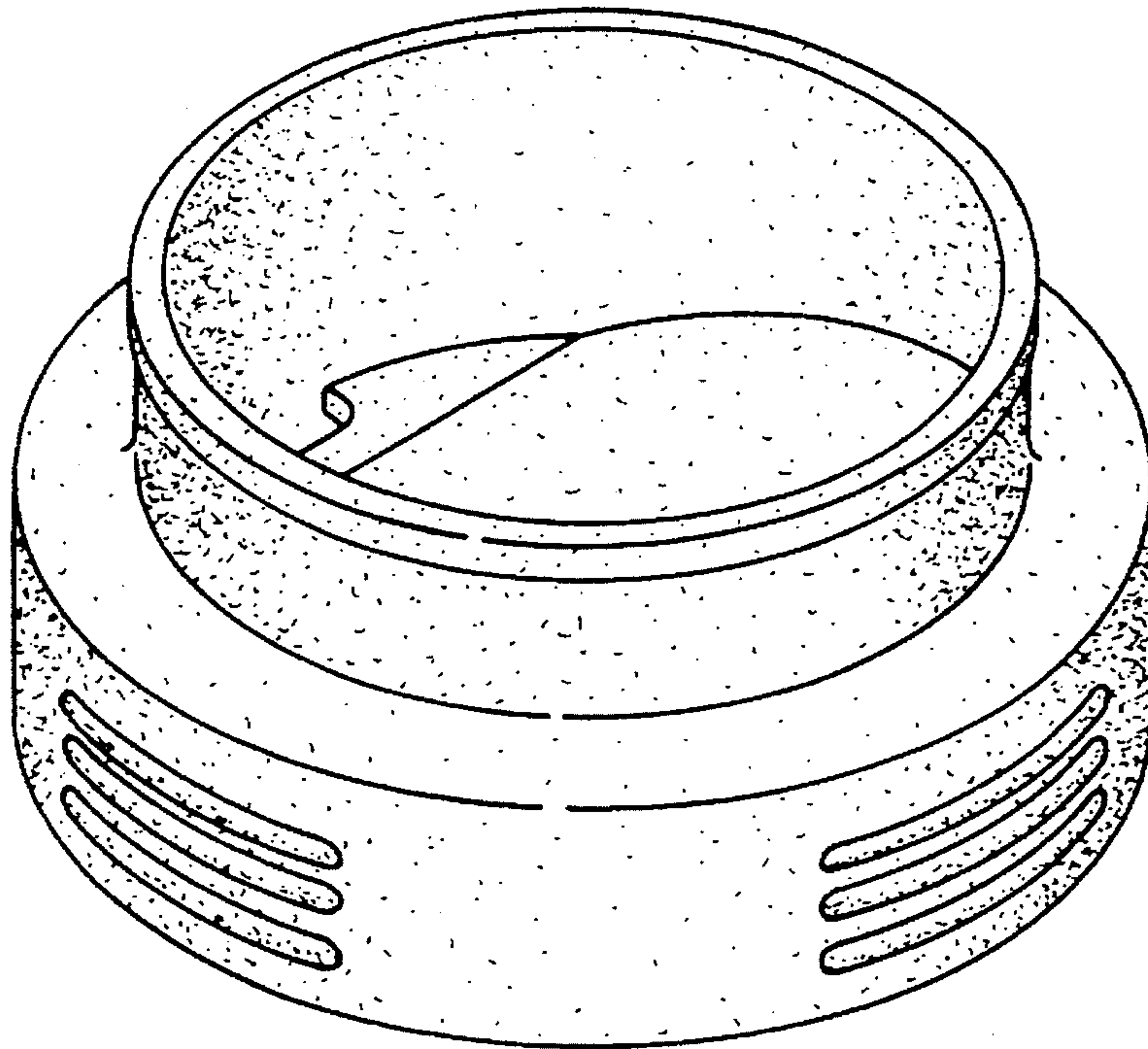


FIG. 2

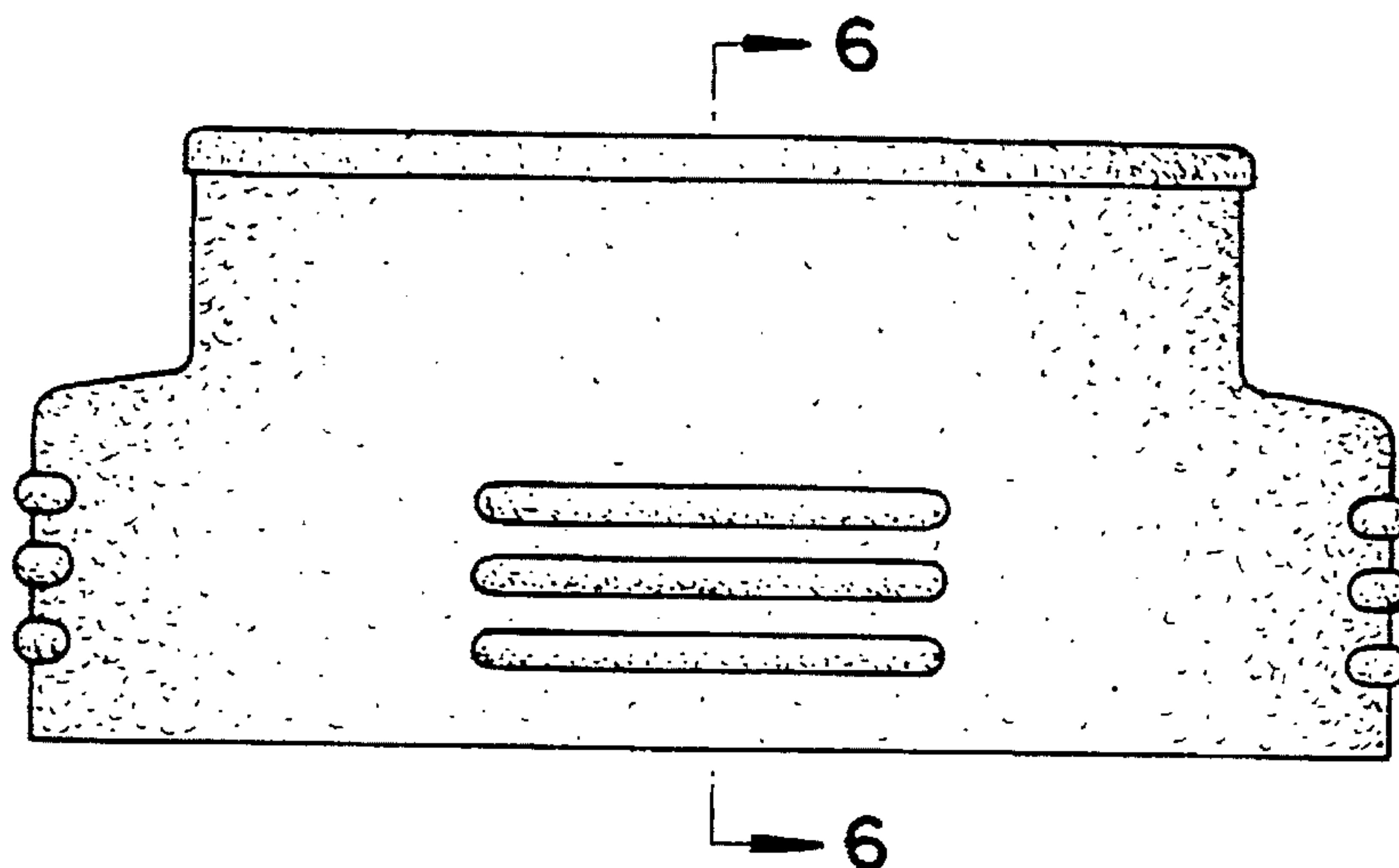


FIG. 3

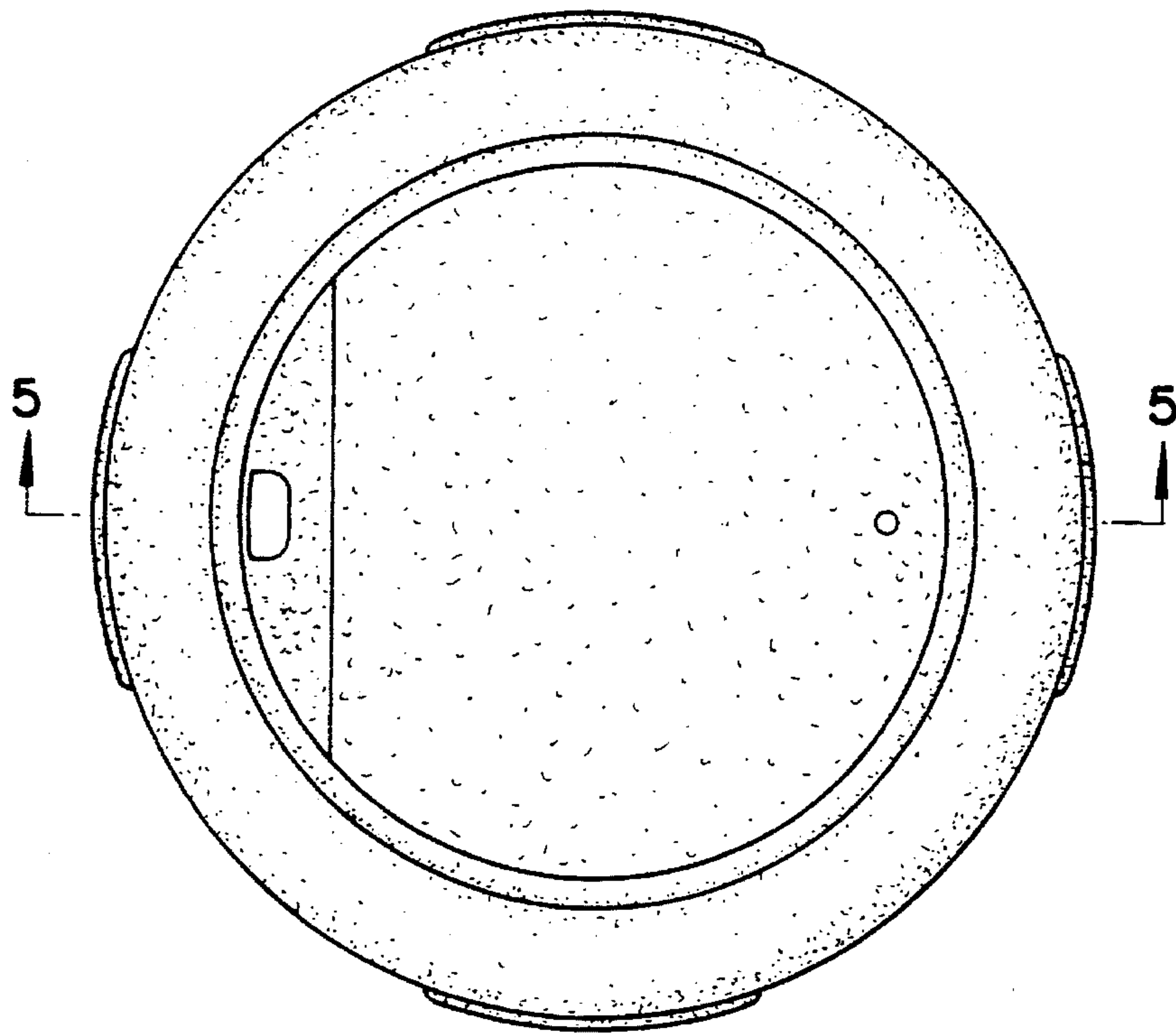


FIG. 4

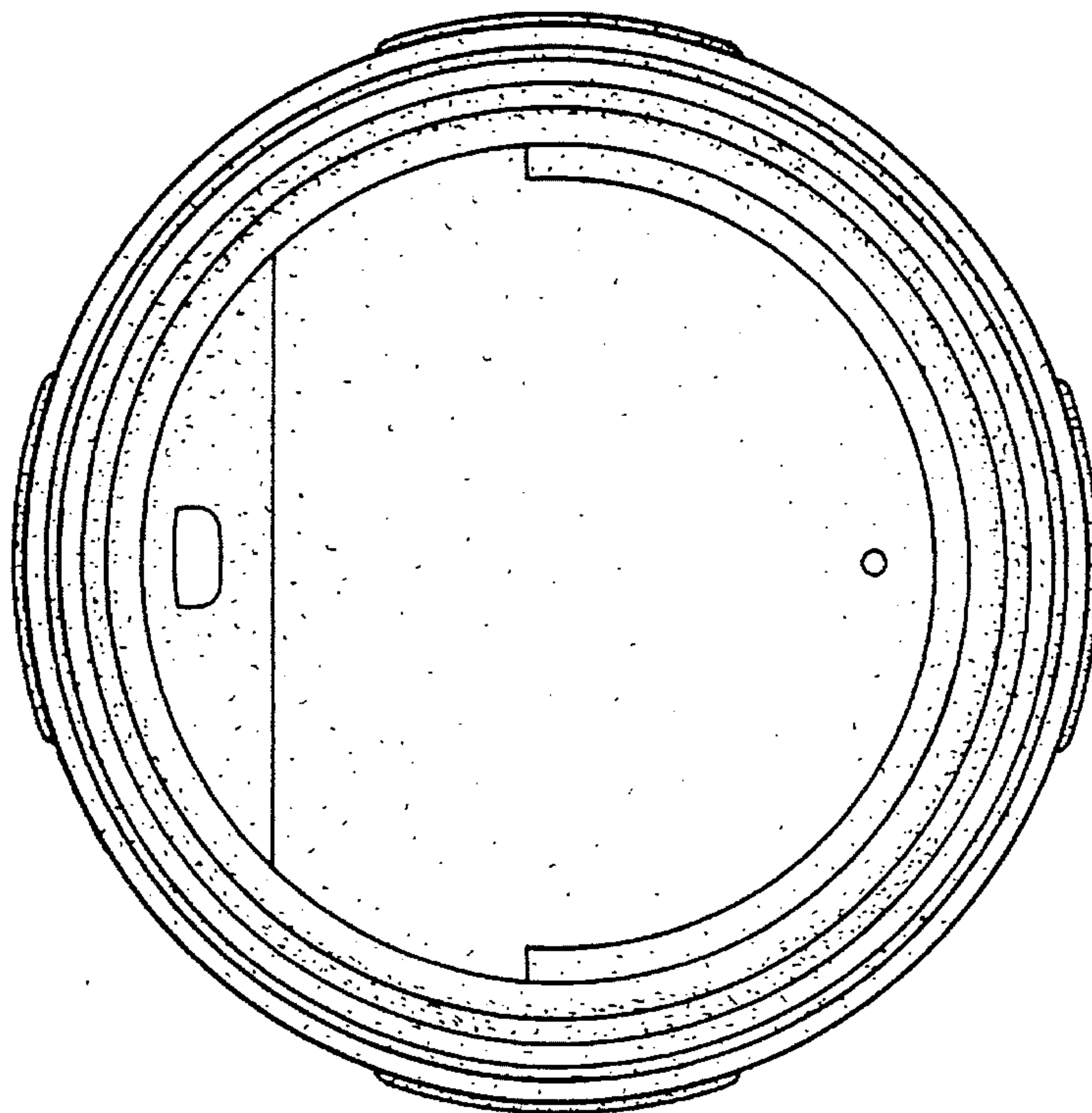


FIG.5

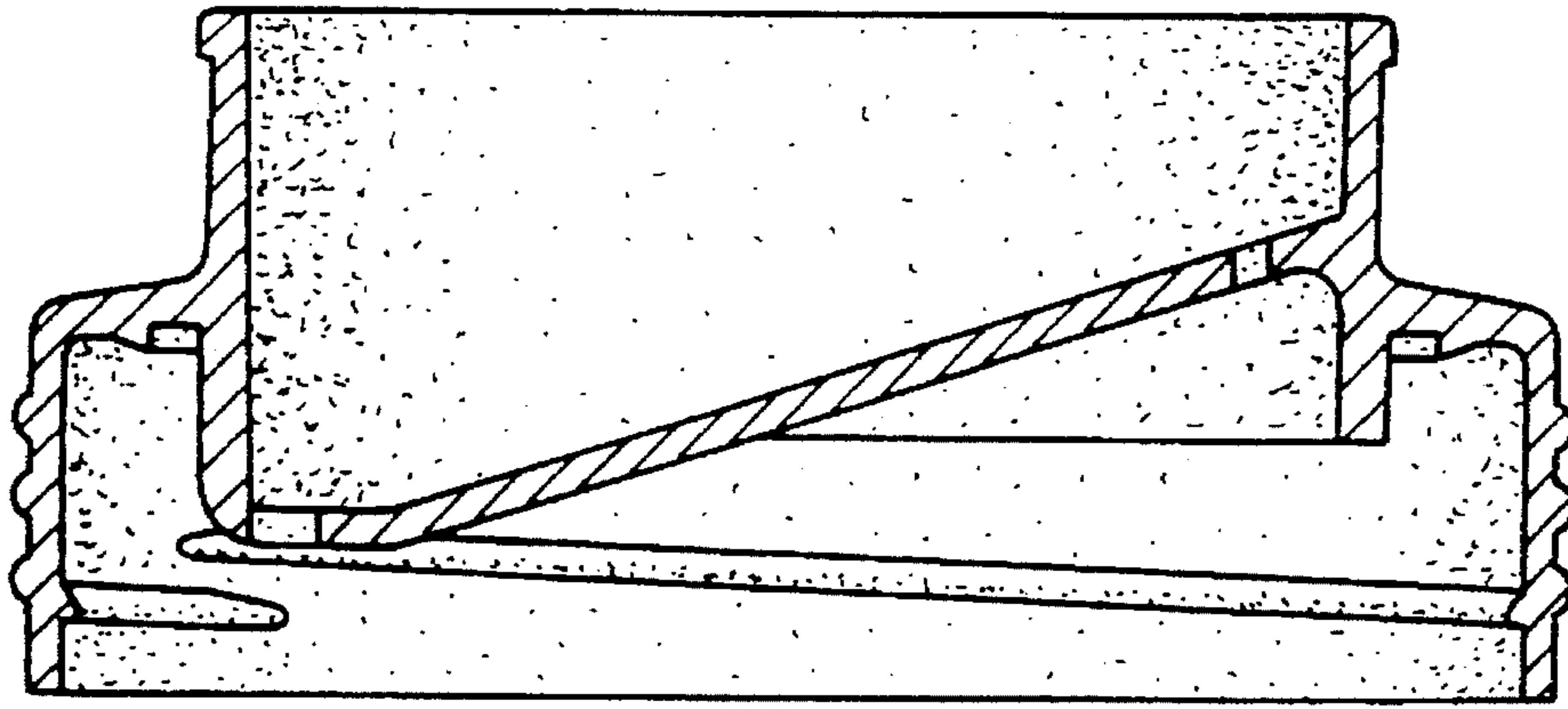


FIG.6

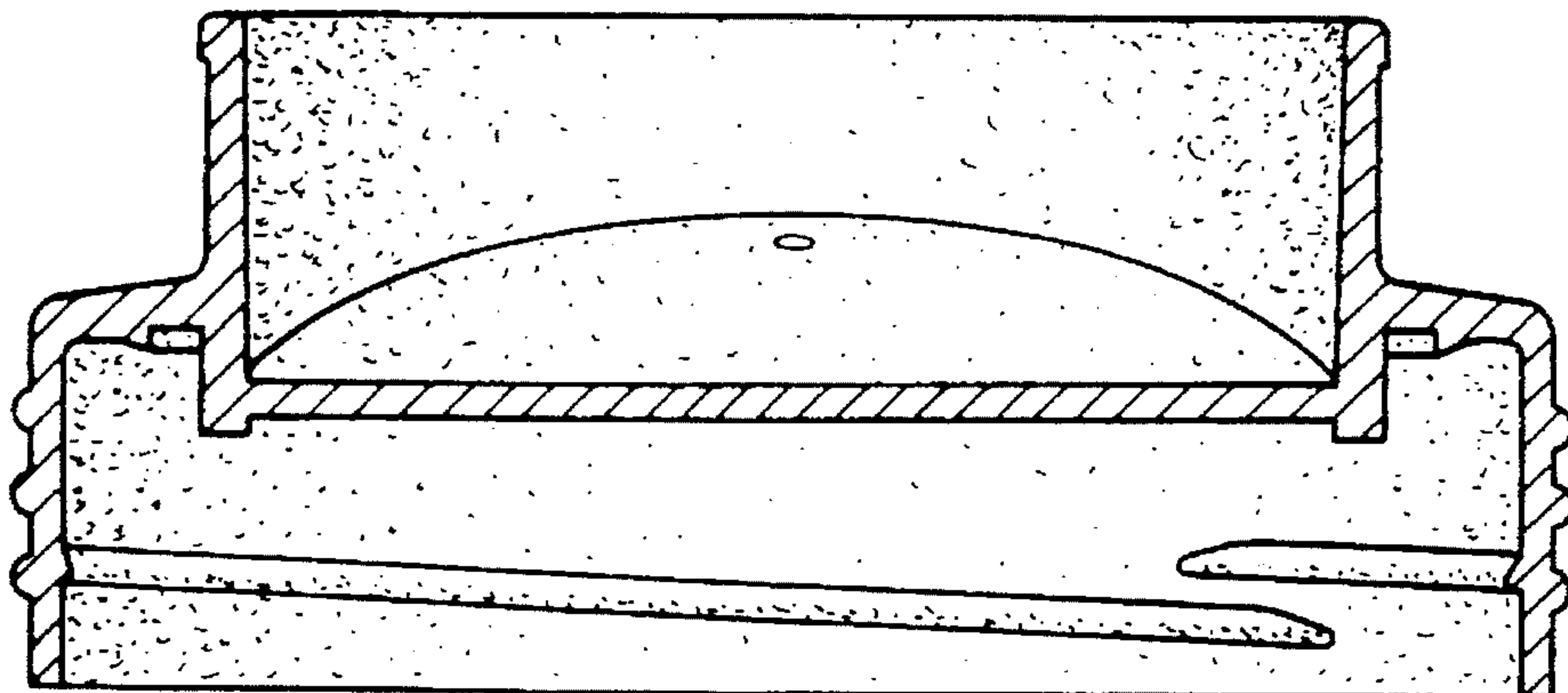


FIG. 7

