



US00D363663S

United States Patent [19] Plater

[11] Patent Number: **Des. 363,663**
[45] Date of Patent: ****Oct. 31, 1995**

[54] CONTAINER WITH LID
[75] Inventor: **Keith Plater**, Northampton, United Kingdom
[73] Assignee: **Good Humor Corporation**, Green Bay, Wis.
[**] Term: **14 Years**
[21] Appl. No.: **26,813**
[22] Filed: **Aug. 5, 1994**
[30] Foreign Application Priority Data

Feb. 8, 1994 [GB] United Kingdom 2037039
[52] U.S. Cl. **D9/425**
[58] Field of Search D9/424, 425, 431,
D9/432; D7/601, 629; 206/503, 508; 220/1.5,
23.6, 244, 355, 356, 350, 376

[56] **References Cited**

U.S. PATENT DOCUMENTS

D. 246,288 11/1977 Boucher D9/425
D. 288,063 2/1987 Tyler D9/425
D. 302,774 8/1989 Murphy D9/425 X
D. 305,410 1/1990 Tyler D9/425

D. 351,765 10/1994 Beeler et al. D9/424 X
2,752,970 7/1956 Tupper 220/355
4,787,527 11/1988 Monetti 220/355 X
4,819,795 4/1989 Swaney 206/508 X
5,366,104 11/1994 Armstrong 220/306 X

OTHER PUBLICATIONS

Tupperware, Sep. 1984, p. 9.
Food Processing Industry Cat. Dec. 1970, p. 118.

Primary Examiner—Prabhakar G. Deshmukh
Attorney, Agent, or Firm—James J. Farrell

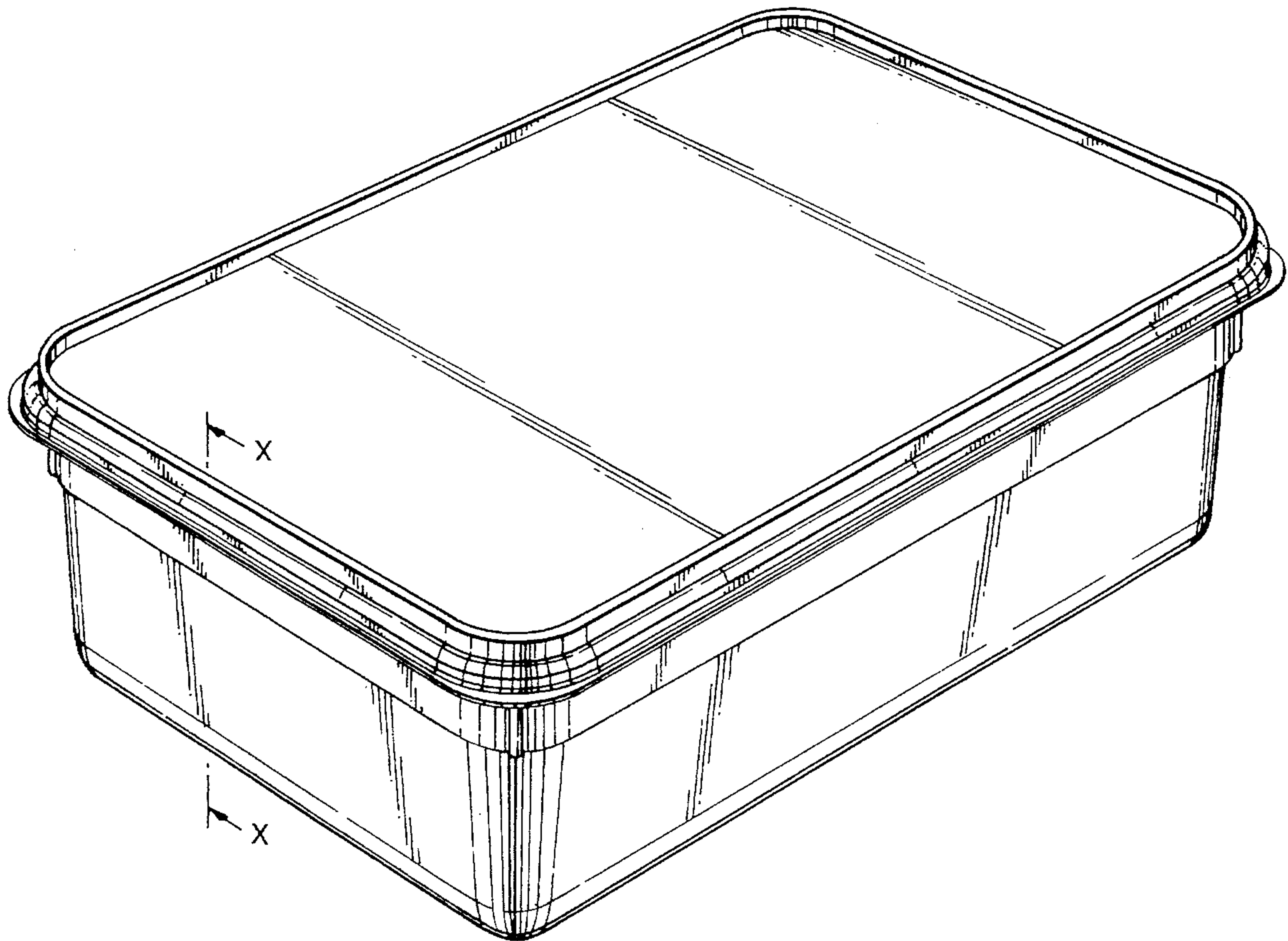
[57] **CLAIM**

The ornamental design for a container with lid, as shown and described.

DESCRIPTION

FIG. 1 is a perspective view from above one side and one end;
FIG. 2 is a side elevational view;
FIG. 3 is an end elevational view;
FIG. 4 is an underneath plan view; and,
FIG. 5 is an enlarged fragmentary view on the line X—X of FIG. 1 with the lid raised.

1 Claim, 4 Drawing Sheets



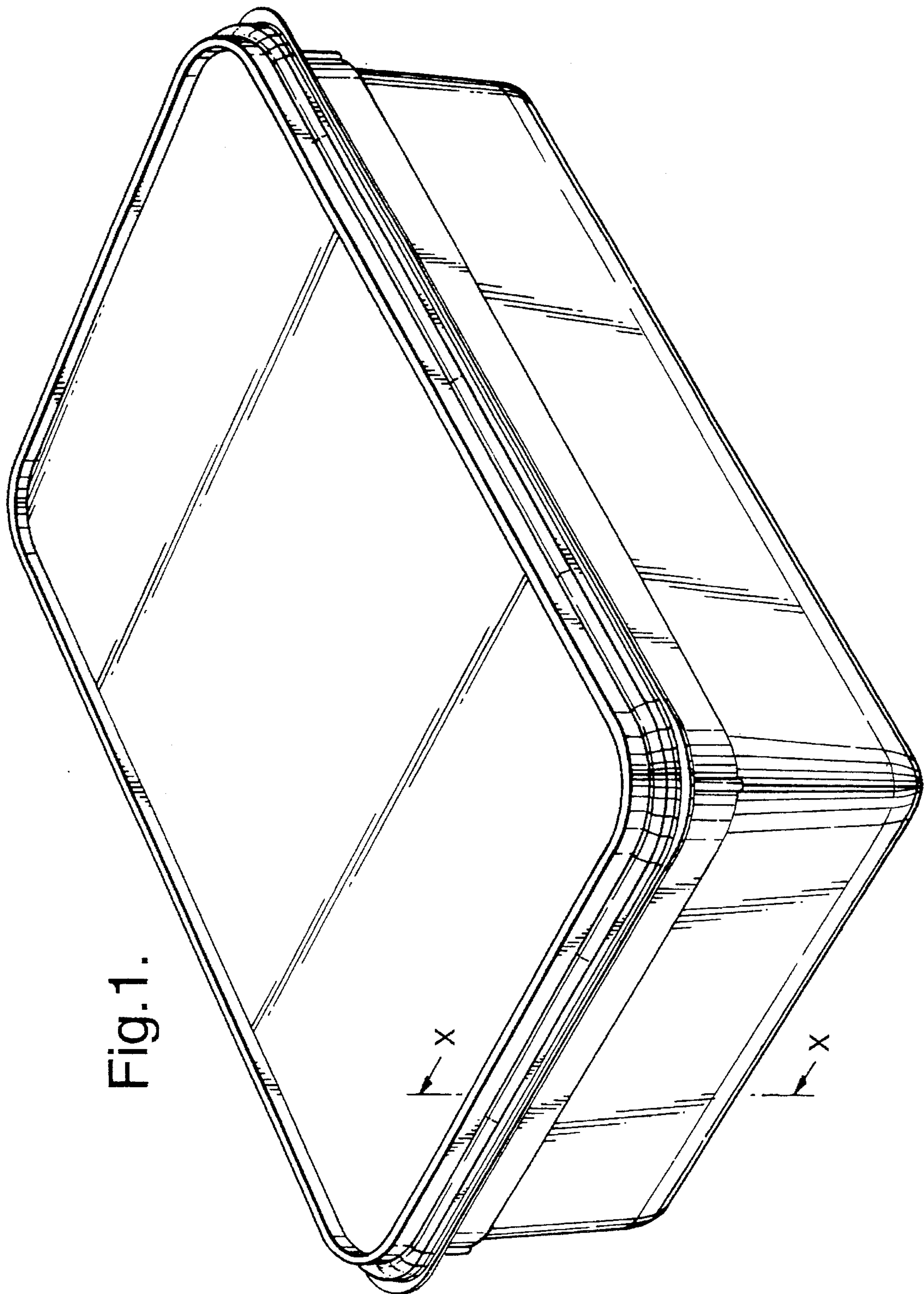


Fig. 1.

Fig.2.

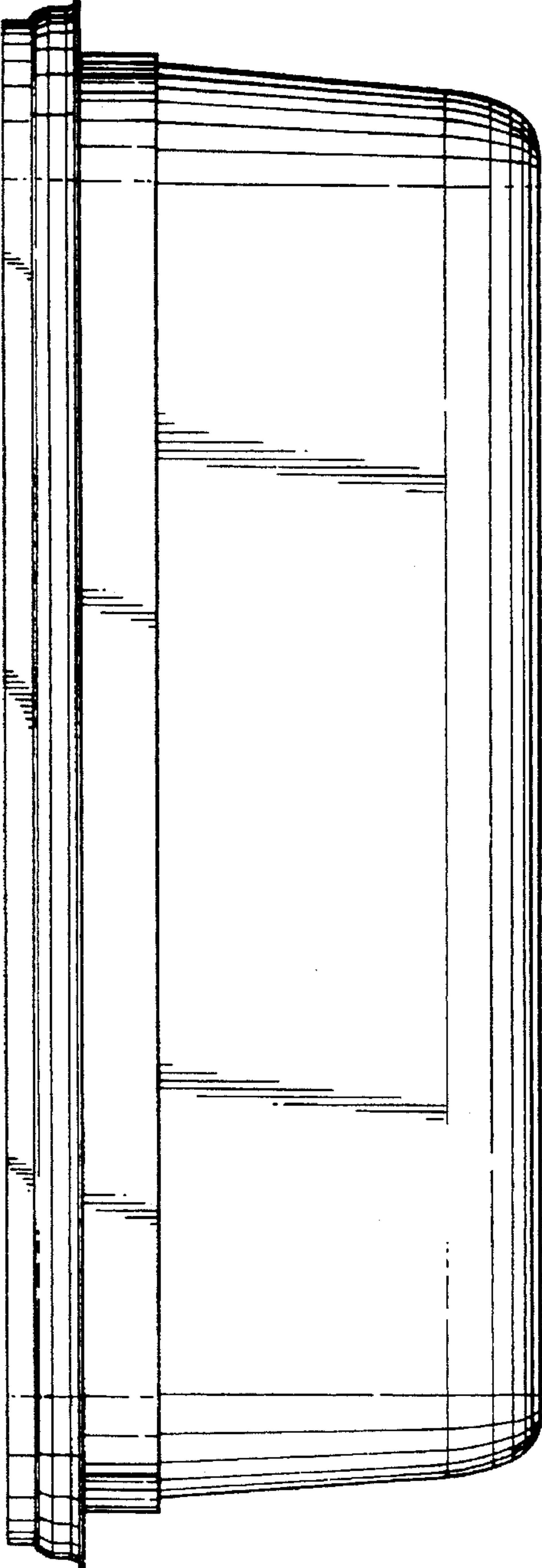


Fig.3.

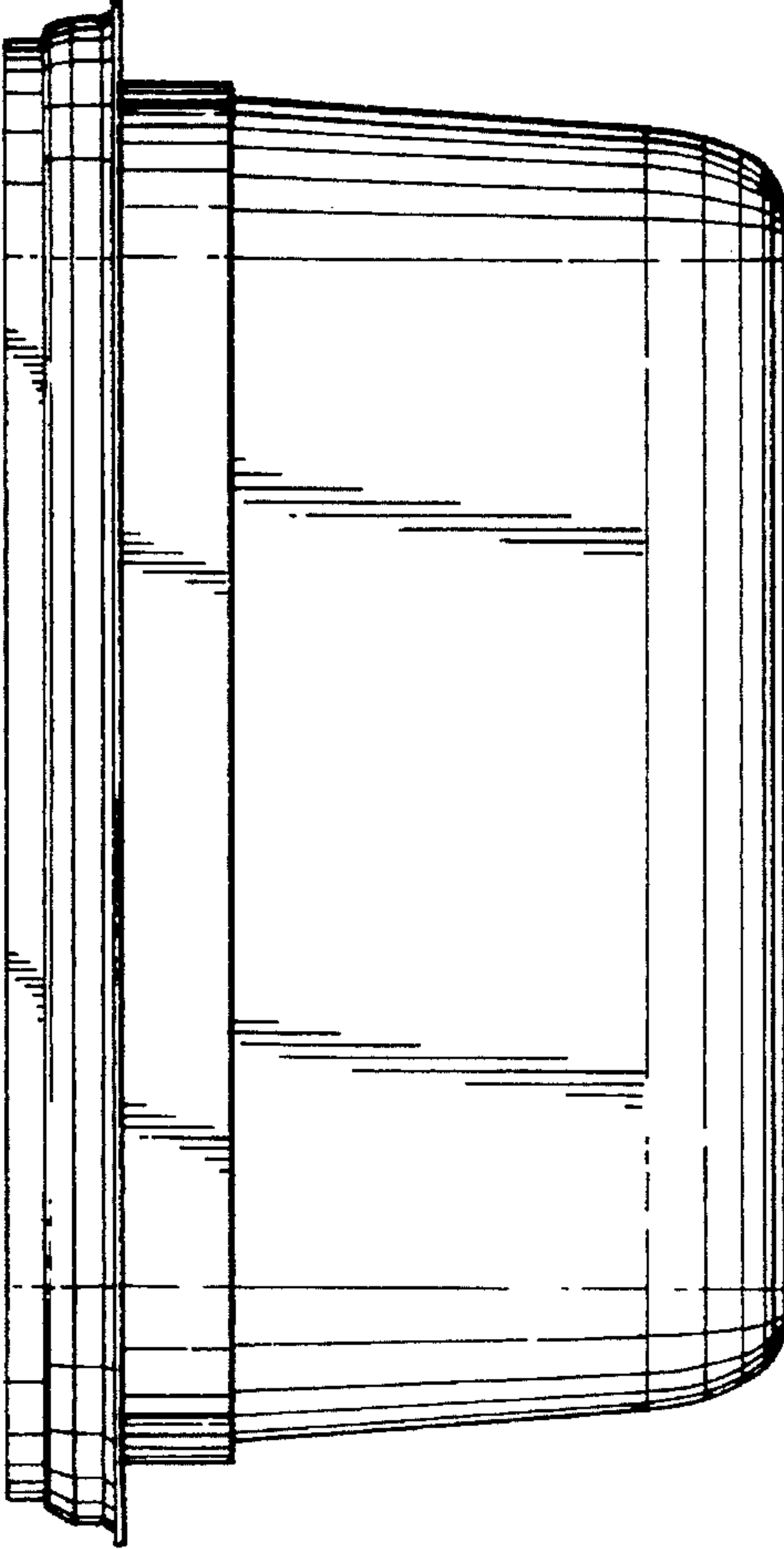


Fig.4.

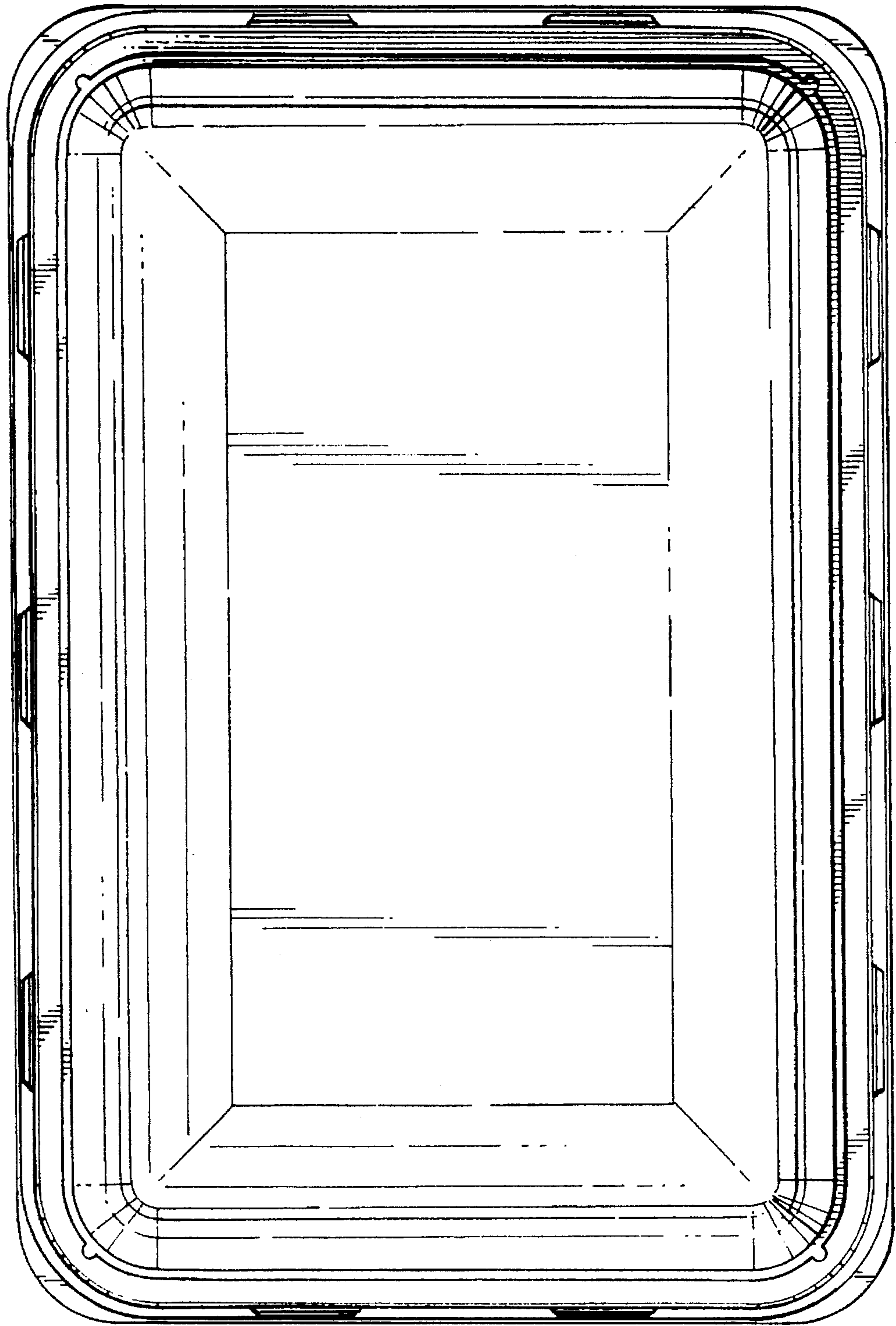


Fig.5.

