



US00D363662S

# United States Patent [19] Plater

[11] Patent Number: **Des. 363,662**

[45] Date of Patent: **\*\*Oct. 31, 1995**

[54] **CONTAINER**

[75] Inventor: **Keith Plater**, Northampton, United Kingdom

[73] Assignee: **Good Humor Corporation**, Green Bay, Wis.

[\*\*] Term: **14 Years**

[21] Appl. No.: **26,814**

[22] Filed: **Aug. 5, 1994**

[30] **Foreign Application Priority Data**

Feb. 8, 1994 [GB] United Kingdom ..... 2037038

[52] U.S. Cl. .... **D9/425**; D3/304

[58] Field of Search ..... D9/424, 425, 431, D9/432; D3/304, 314; D7/550, 601; 206/503, 518, 557, 563; 220/1.5, 23.6

[56] **References Cited**

**U.S. PATENT DOCUMENTS**

- D. 246,288 11/1977 Boucher ..... D9/425
- D. 288,063 2/1987 Tyler ..... D9/425
- D. 302,774 8/1989 Murphy ..... D9/425 X
- D. 305,410 1/1990 Tyler ..... D9/425

- D. 351,765 10/1994 Beeler et al. .... D9/424 X
- 2,752,970 7/1956 Tupper ..... 220/355
- 4,787,527 11/1988 Monetti ..... 220/355 X
- 4,819,795 4/1989 Swaney ..... 206/508 X
- 5,366,104 11/1994 Armstrong ..... 220/306 X

**OTHER PUBLICATIONS**

Tupperware, Sep. 1984, p. 9.  
Food Processing Industry Cat. Dec. 1970, p. 118.

*Primary Examiner*—Prabhakar G. Deshmukh  
*Attorney, Agent, or Firm*—James J. Farrell

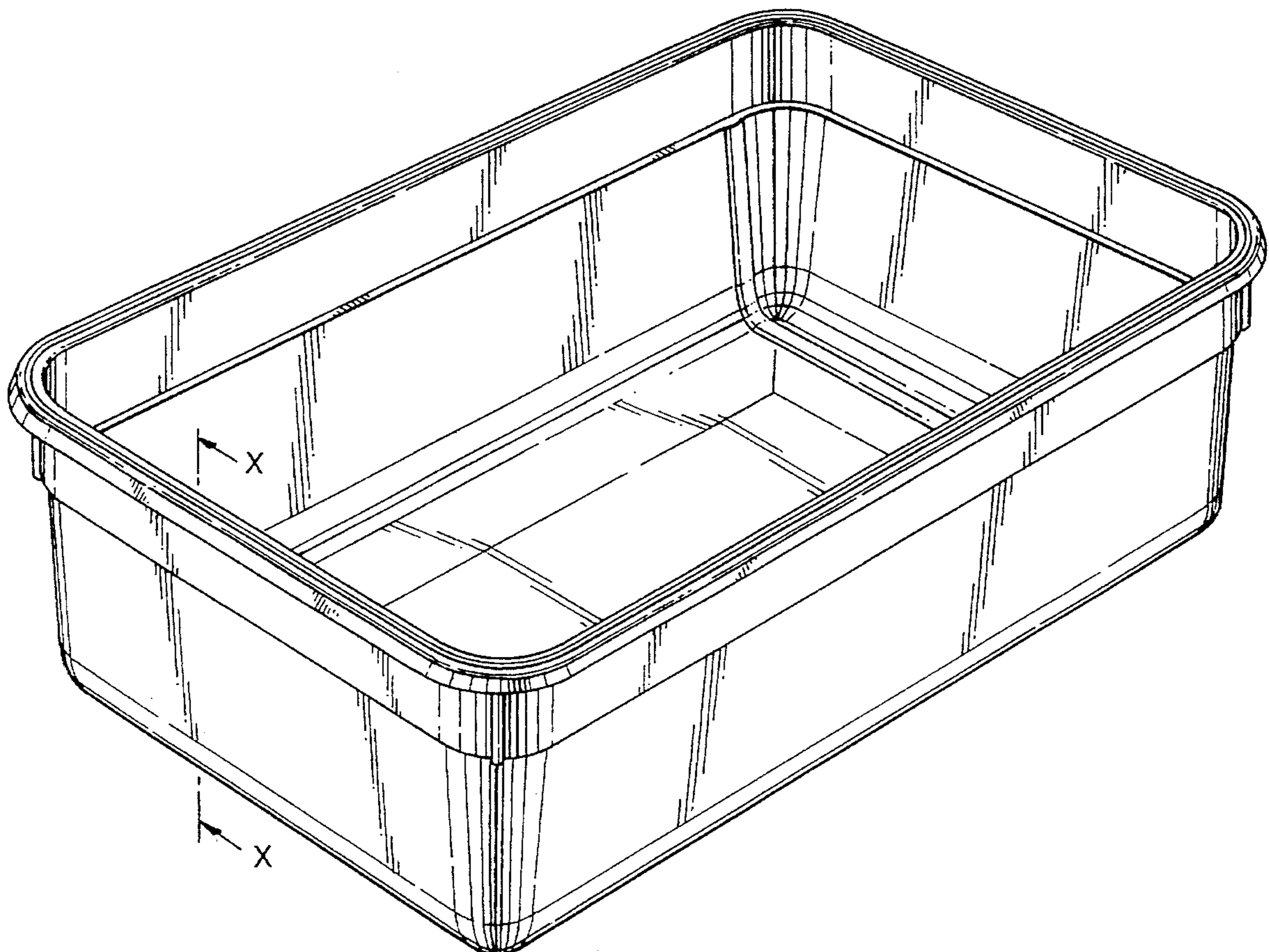
[57] **CLAIM**

The ornamental design for a container, as shown and described.

**DESCRIPTION**

FIG. 1 is a perspective view from above one side and one end;  
FIG. 2 is a side elevational view;  
FIG. 3 is an end elevational view;  
FIG. 4 is an underneath plan view; and,  
FIG. 5 is an enlarged fragmentary view on the line X—X of FIG. 1.

**1 Claim, 4 Drawing Sheets**



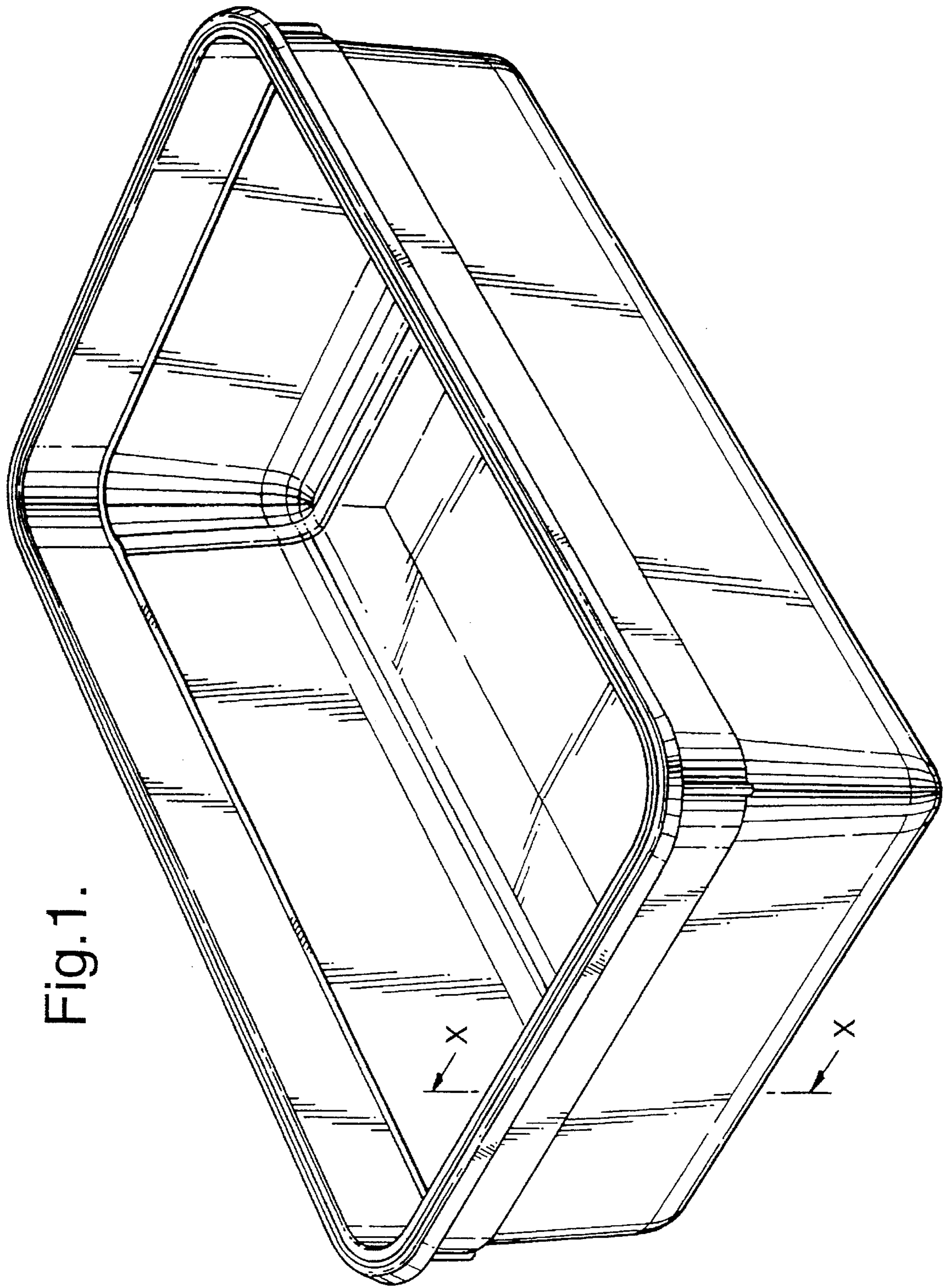


Fig. 1.

Fig.2.

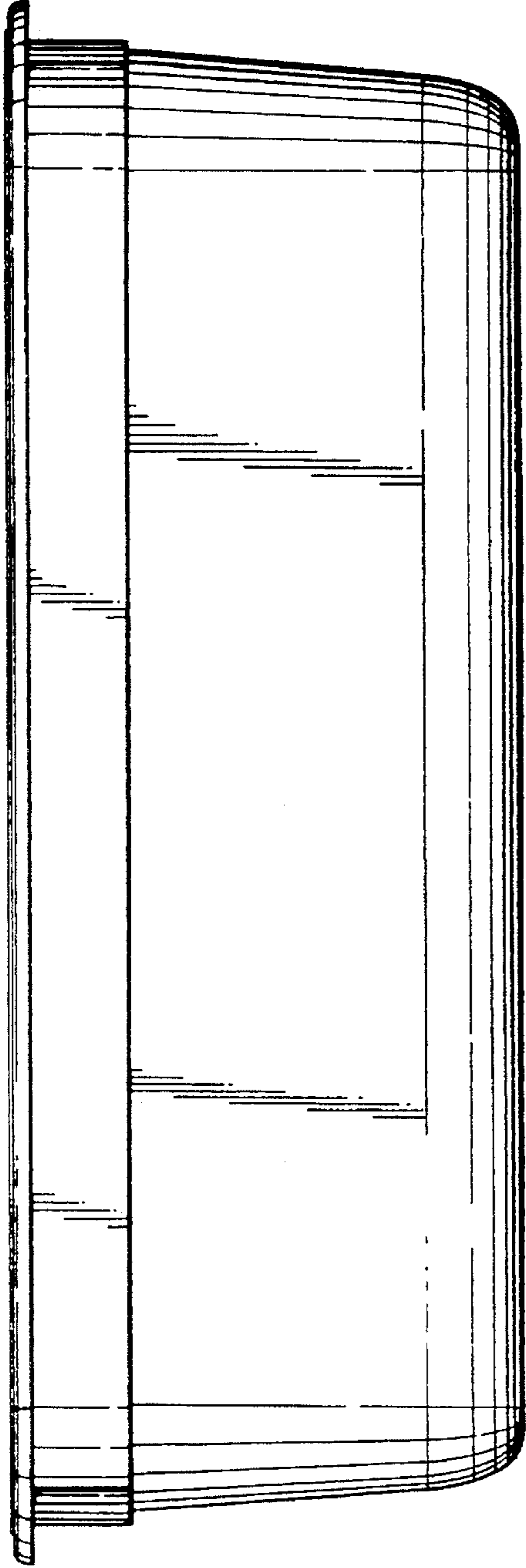


Fig.3.

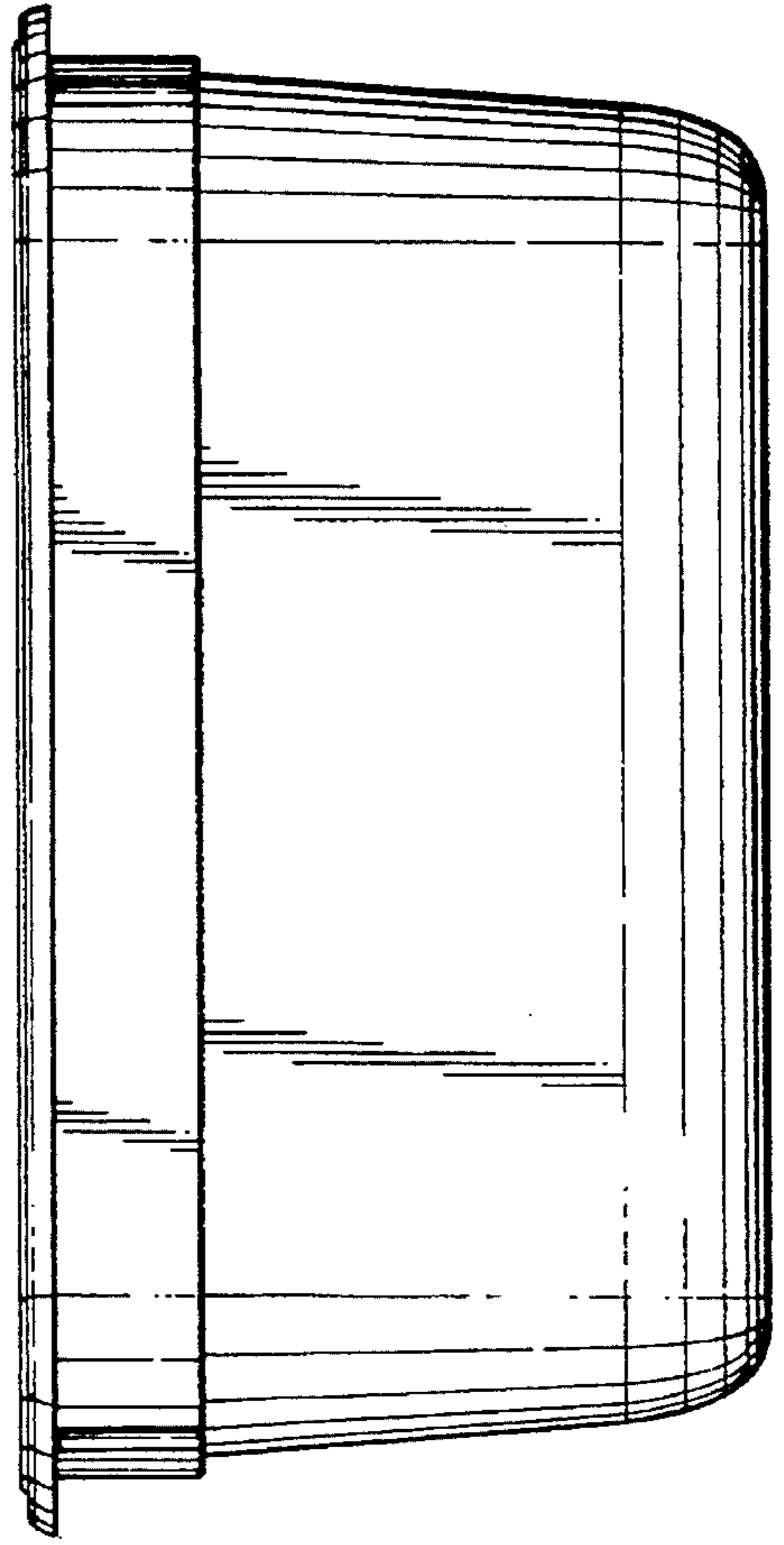


Fig.4.

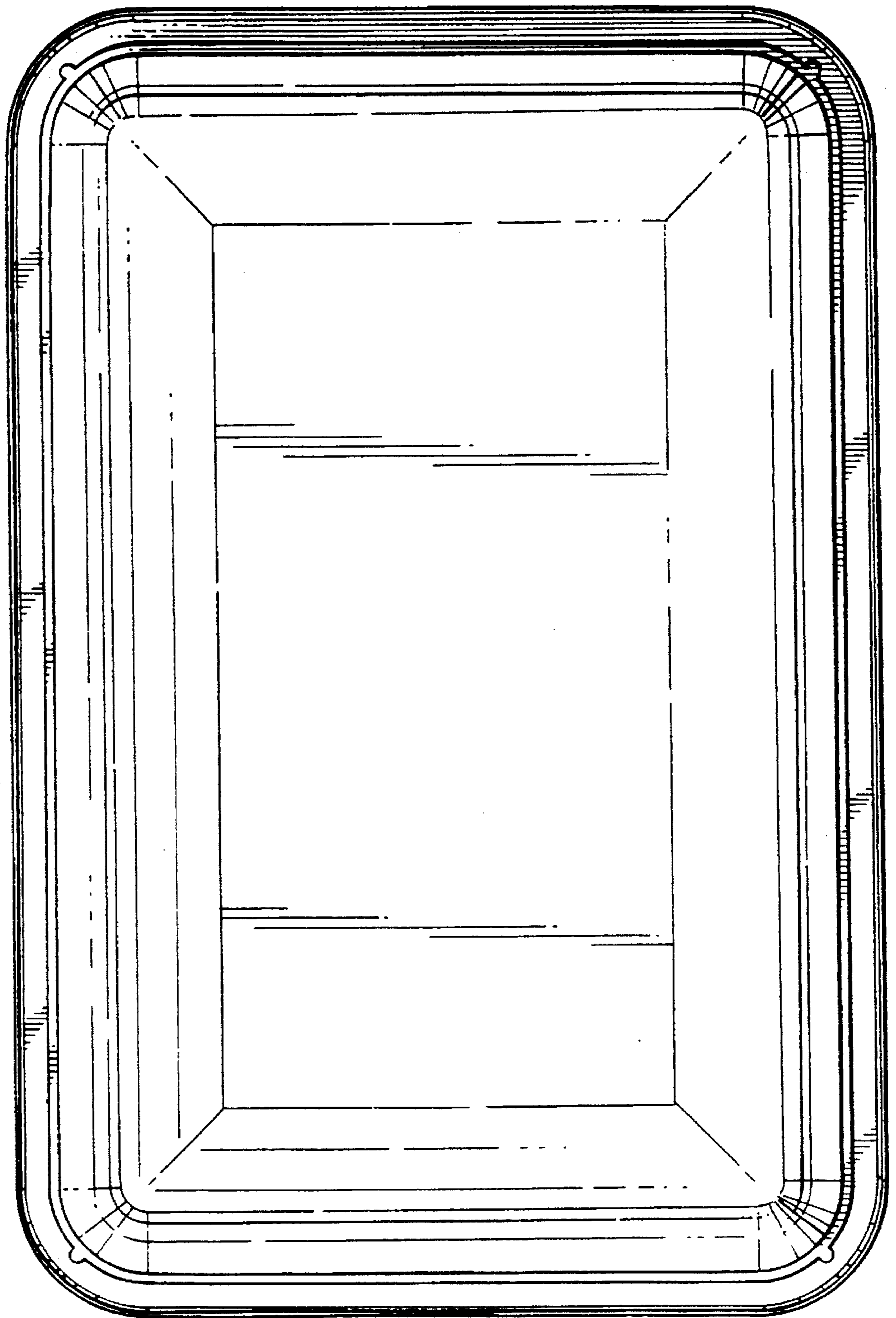


Fig.5.

