



US00D363660S

United States Patent [19]

Kim

[11] Patent Number: **Des. 363,660**

[45] Date of Patent: ****Oct. 31, 1995**

[54] **BAG SEALER**

[76] Inventor: **Song S. Kim**, 10192 Central Ave.,
Garden Grove, Calif. 92643

[**] Term: **14 Years**

[21] Appl. No.: **19,826**

[22] Filed: **Mar. 11, 1994**

[52] U.S. Cl. **D9/434**

[58] Field of Search D9/434-436, 455-456,
D9/499; D8/300, 306, 316, 336, 342; 294/137,
153; 383/1, 6, 13, 15, 42, 51

[56] **References Cited**

U.S. PATENT DOCUMENTS

- D. 285,287 8/1986 Tannar D9/434
- D. 332,918 2/1993 Fleming D9/434

Primary Examiner—Alan P. Douglas
Assistant Examiner—Robert M. Spear
Attorney, Agent, or Firm—Eugene Oak

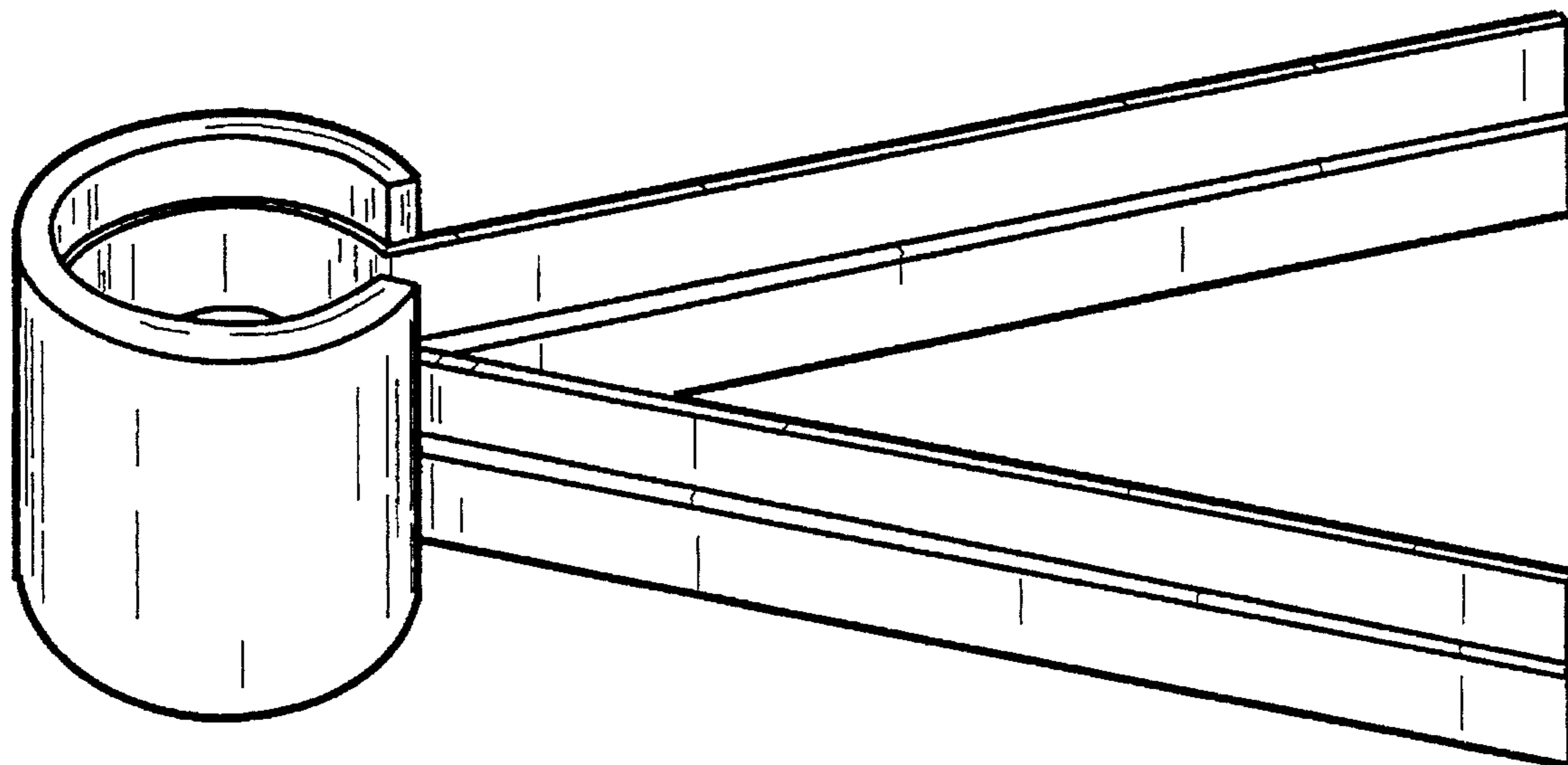
[57] **CLAIM**

The ornamental design for bag sealer, as shown and described.

DESCRIPTION

FIG. 1 is a perspective view of a bag sealer showing my new design;
FIG. 2 is a right side view thereof;
FIG. 3 is a left side view thereof;
FIG. 4 is a front side view thereof;
FIG. 5 is a rear side view thereof; and,
FIG. 6 is a top plan view thereof, the bottom plan view being identical thereto.

1 Claim, 2 Drawing Sheets



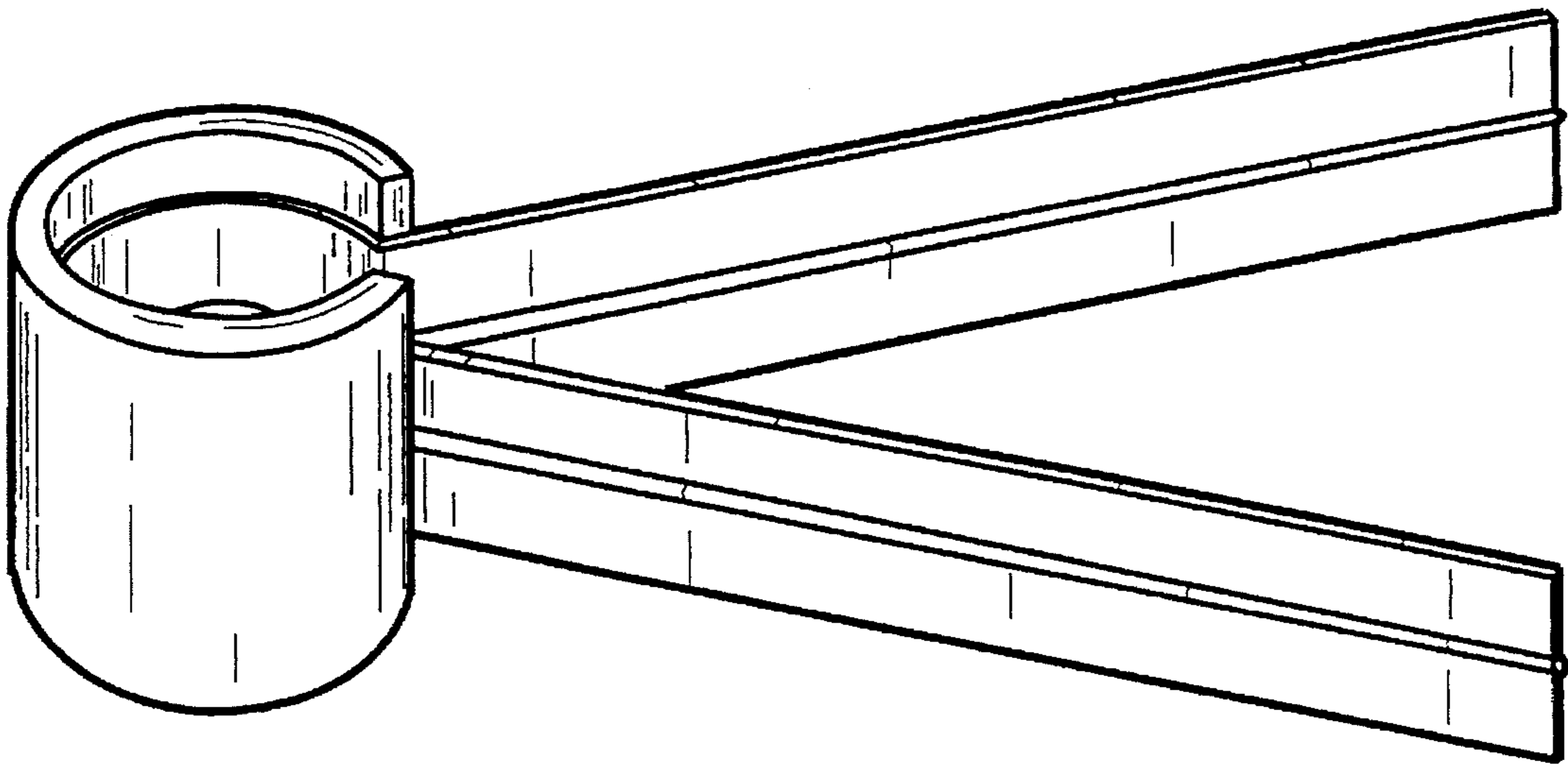


FIGURE 1

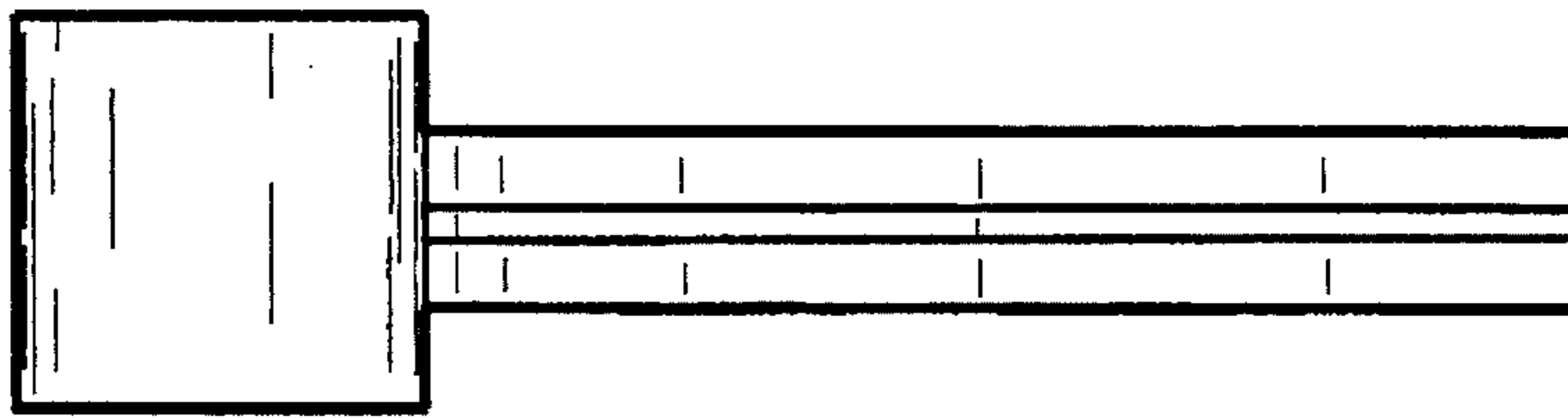


FIGURE 2

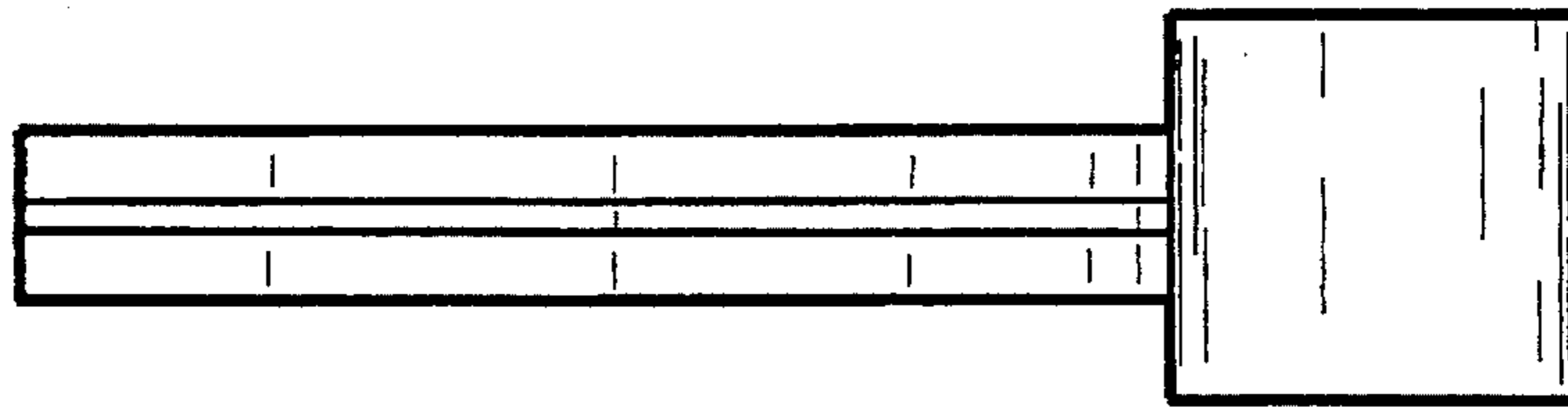


FIGURE 3

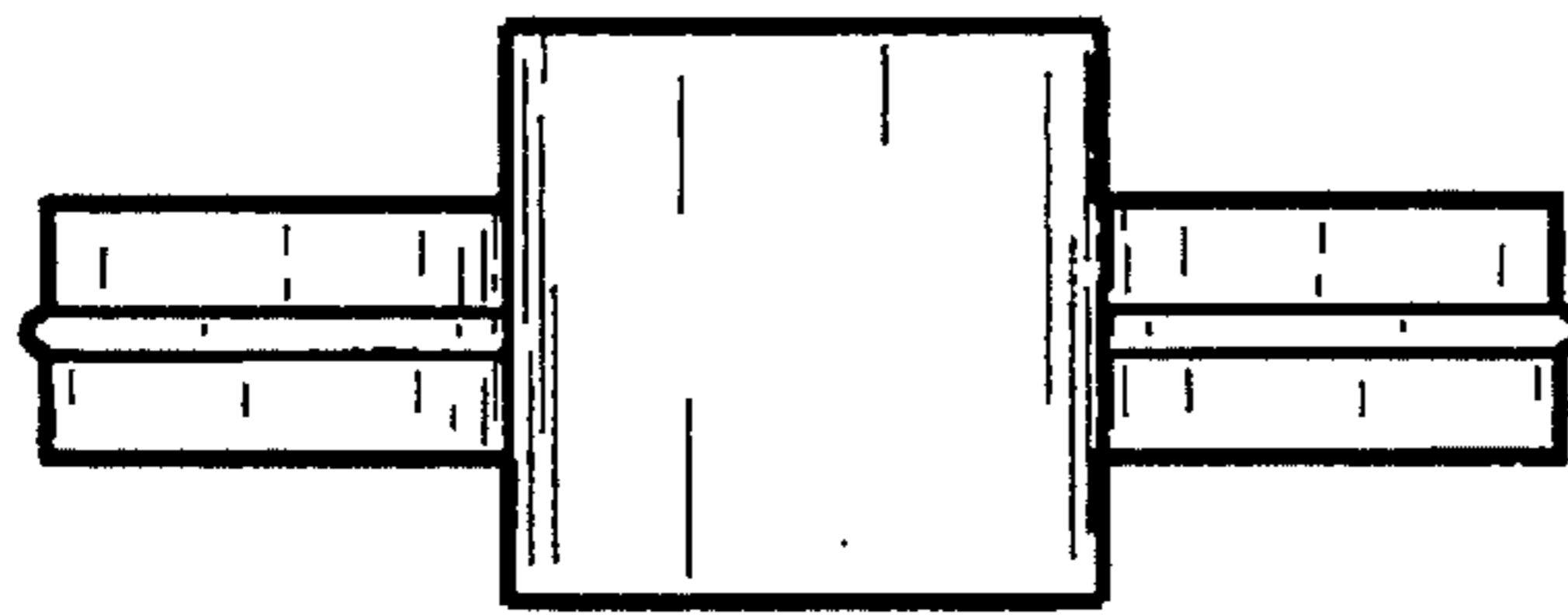


FIGURE 4

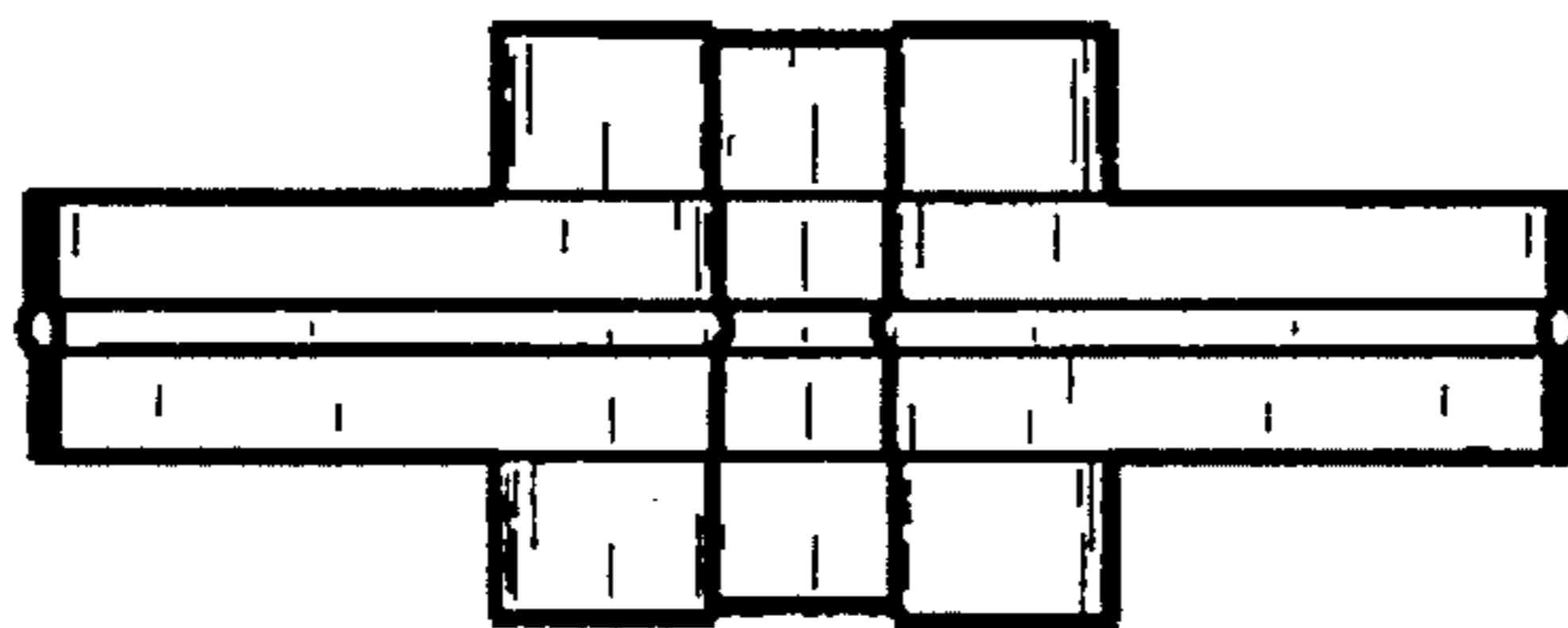


FIGURE 5

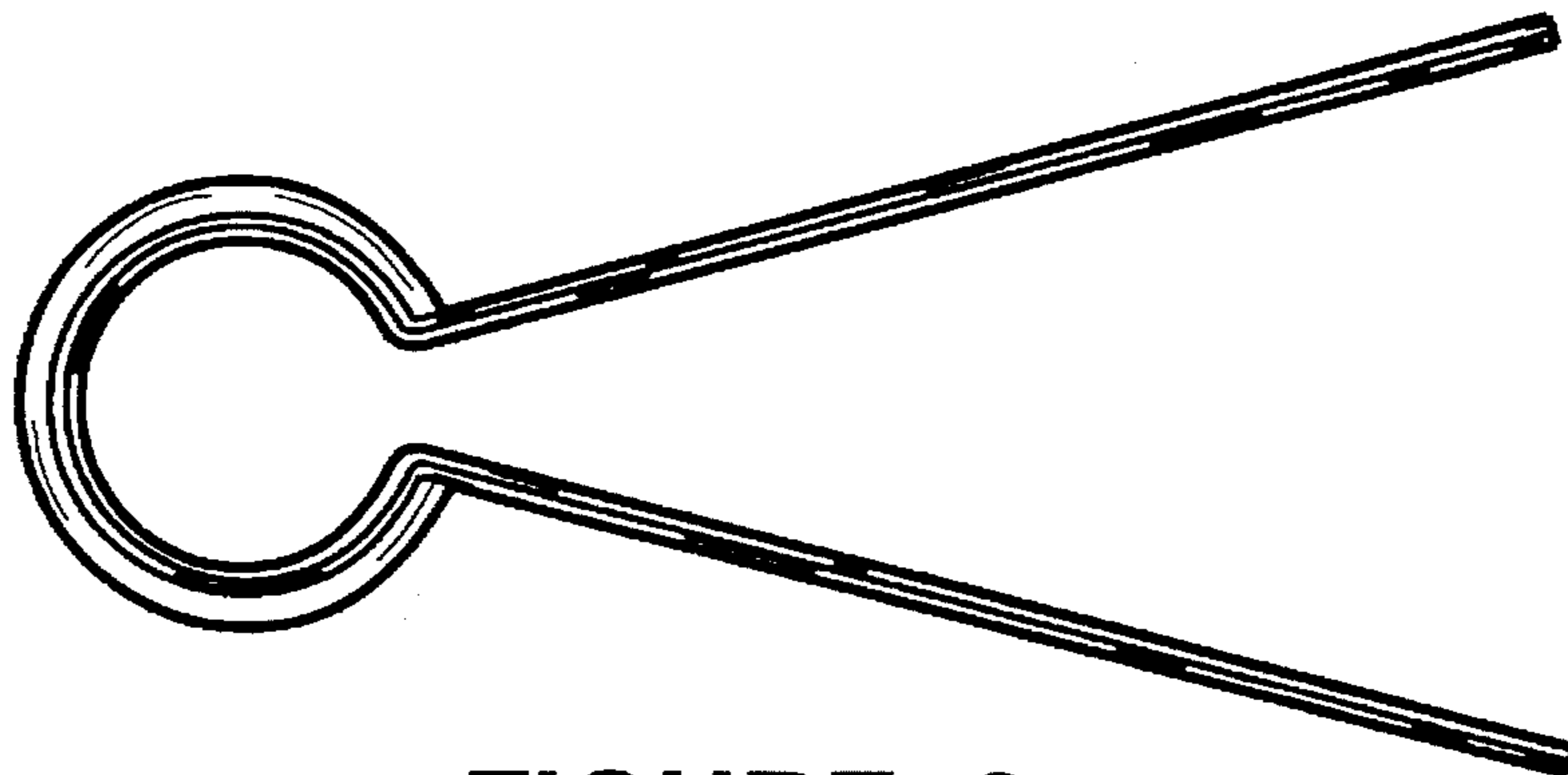


FIGURE 6