



US00D363656S

# United States Patent [19]

[11] Patent Number: Des. 363,656

Gierke

[45] Date of Patent: \*\*Oct. 31, 1995

## [54] CORDLESS CIRCULAR SAW

[75] Inventor: Martin P. Gierke, Baltimore, Md.

[73] Assignee: Black & Decker Inc., Newark, Del.

[\*\*] Term: 14 Years

[21] Appl. No.: 26,666

[22] Filed: Aug. 2, 1994

[52] U.S. Cl. .... D8/66; D8/69; 30/DIG. 1; 30/388

[58] Field of Search ..... D8/66, 69, 61; 30/377, 387, 388, 389, 390, 391, DIG. 1

### [56] References Cited

#### U.S. PATENT DOCUMENTS

D. 282,142	1/1986	Siravo .....	D8/66
D. 335,433	5/1993	Schultz et al. ....	D8/66
4,761,884	8/1988	Nguyen et al. ....	30/388
4,979,307	12/1990	Ste Marie .....	30/388

#### OTHER PUBLICATIONS

Hitachi Circular Saw, Model CD4D, Photos 1-7, Ex. A Admitted Prior Art.

Makita Circular Saw, Model 5090D, Photos 1-7, Ex. B Admitted Prior Art.

National Circular Saw, Model EZ3501, Photos 1-7, Ex. C Admitted Prior Art.

Skil Circular Saw, Model 2977, Photos 1-7, Ex. D Admitted Prior Art.

Primary Examiner—Alan P. Douglas

Assistant Examiner—Robert M. Spear

Attorney, Agent, or Firm—Dennis A. Dearing; John D. Del Ponti; Charles E. Yocum

### [57] CLAIM

The ornamental design for a cordless circular saw, as shown and described.

### DESCRIPTION

FIG. 1 is a front perspective view of a cordless circular saw showing my design;

FIG. 2 is a rear perspective view of the first embodiment;

FIG. 3 is a left side elevational view of the first embodiment;

FIG. 4 is a right side elevational view of the first embodiment;

FIG. 5 is a top plan view of the first embodiment;

FIG. 6 is a bottom plan view of the first embodiment;

FIG. 7 is a front elevational view of the first embodiment;

FIG. 8 is a rear elevational view of the first embodiment;

FIG. 9 is a front perspective view of a second embodiment of a cordless circular saw showing my new design;

FIG. 10 is a rear perspective view of the second embodiment;

FIG. 11 is a left side elevational view of the second embodiment;

FIG. 12 is a right side elevational view of the second embodiment;

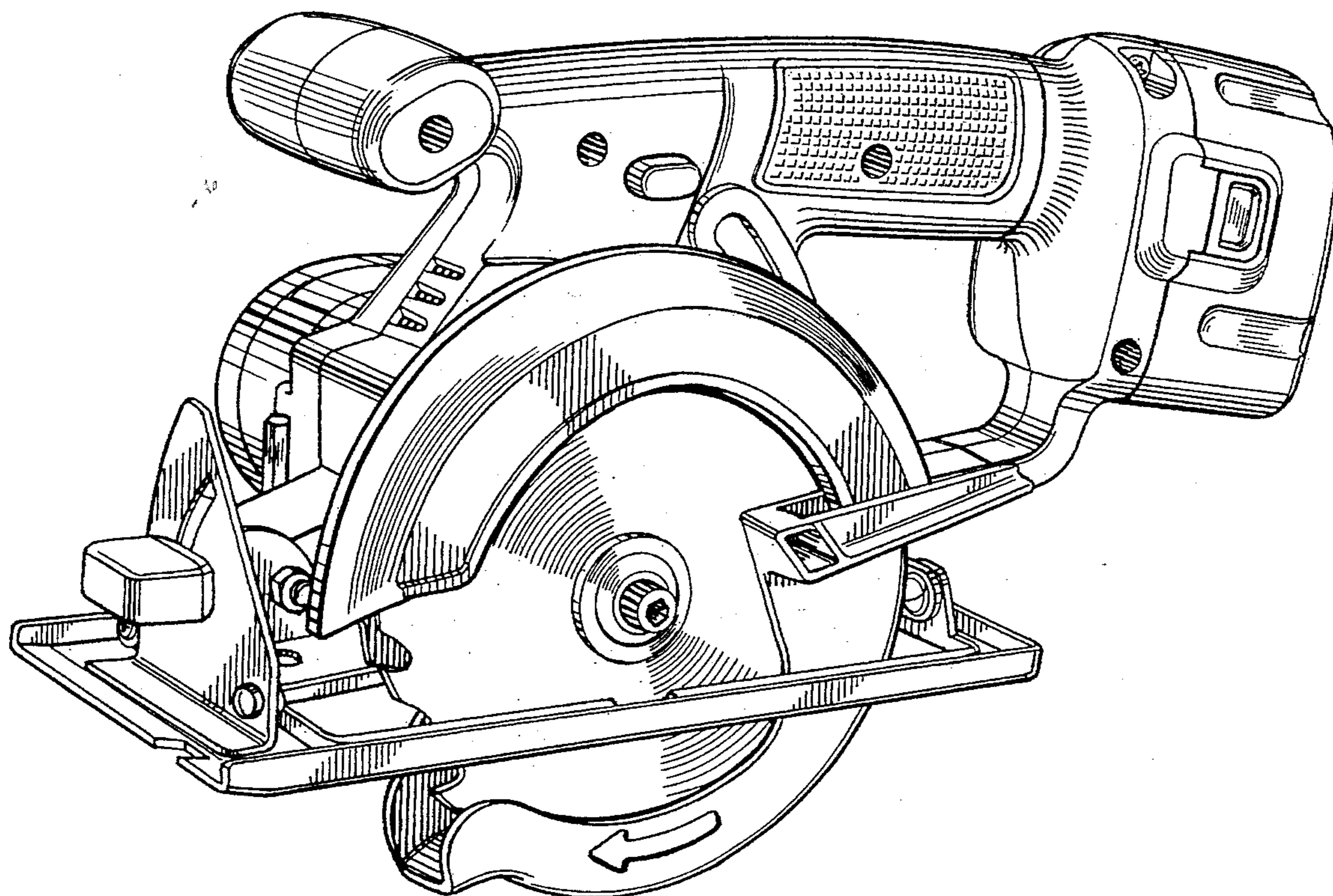
FIG. 13 is a top plan view of the second embodiment;

FIG. 14 is a bottom plan view of the second embodiment;

FIG. 15 is a front elevational view of the second embodiment; and,

FIG. 16 is a rear elevational view of the second embodiment.

1 Claim, 14 Drawing Sheets



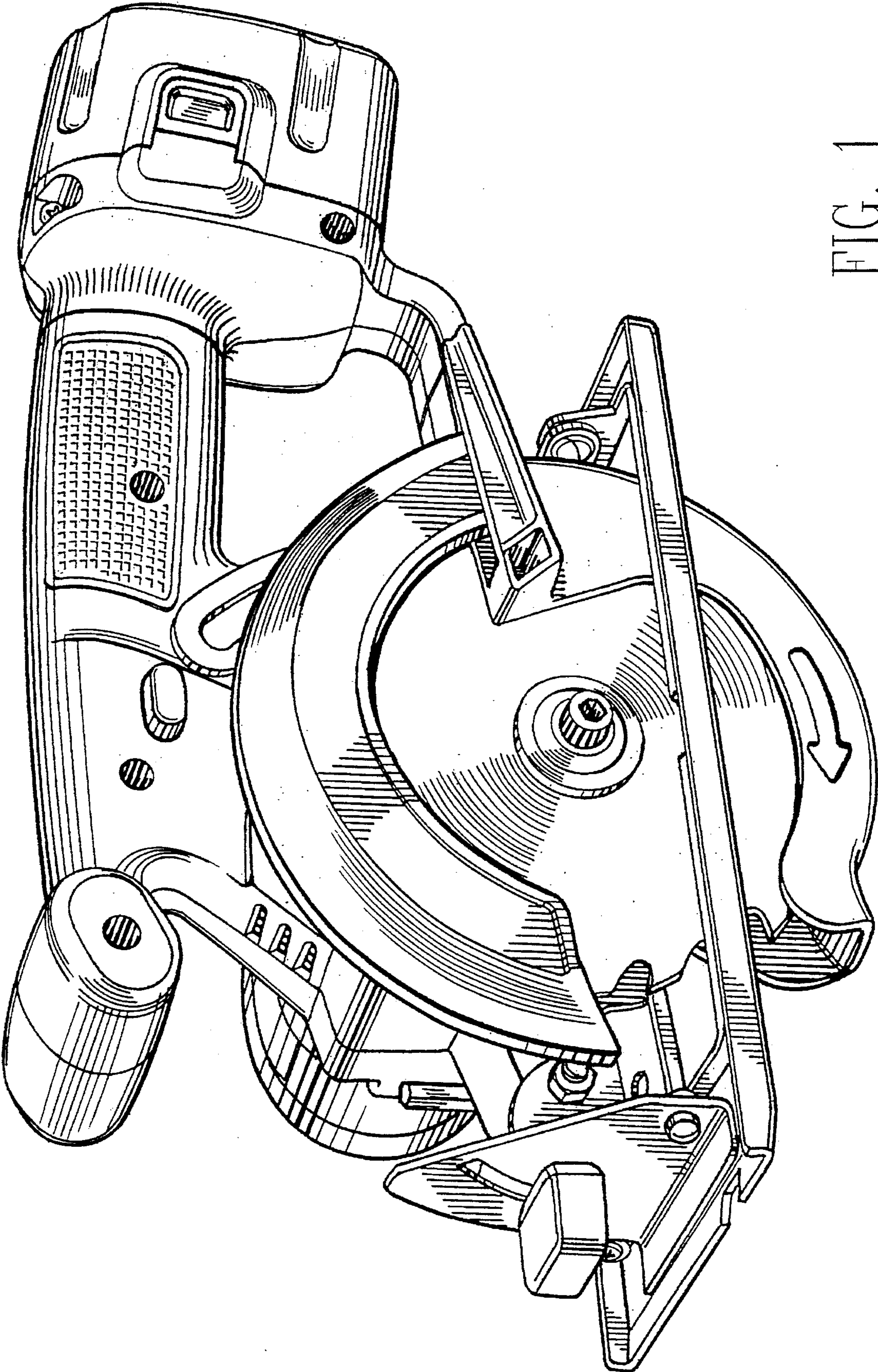


FIG. 1

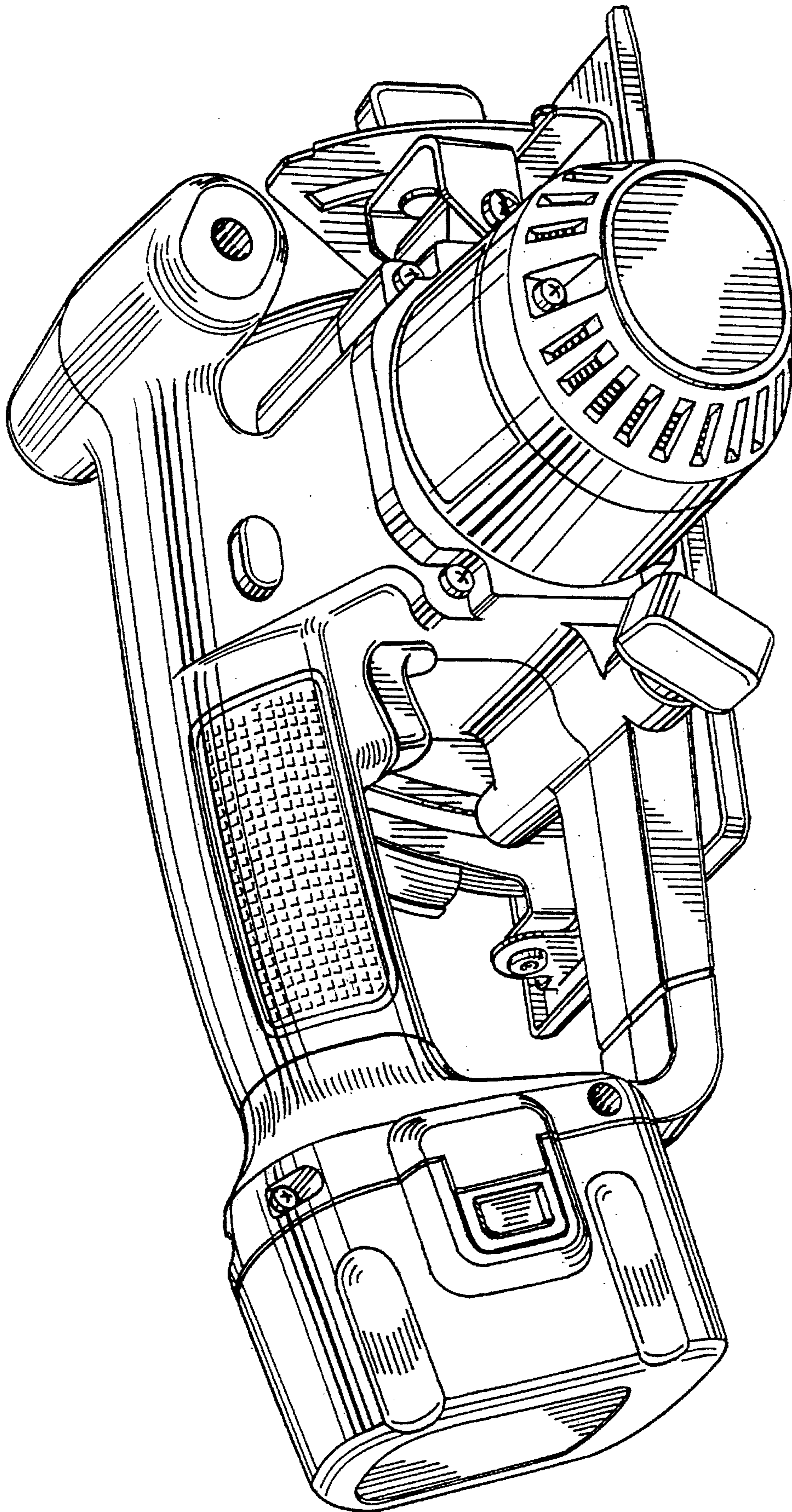


FIG. 2

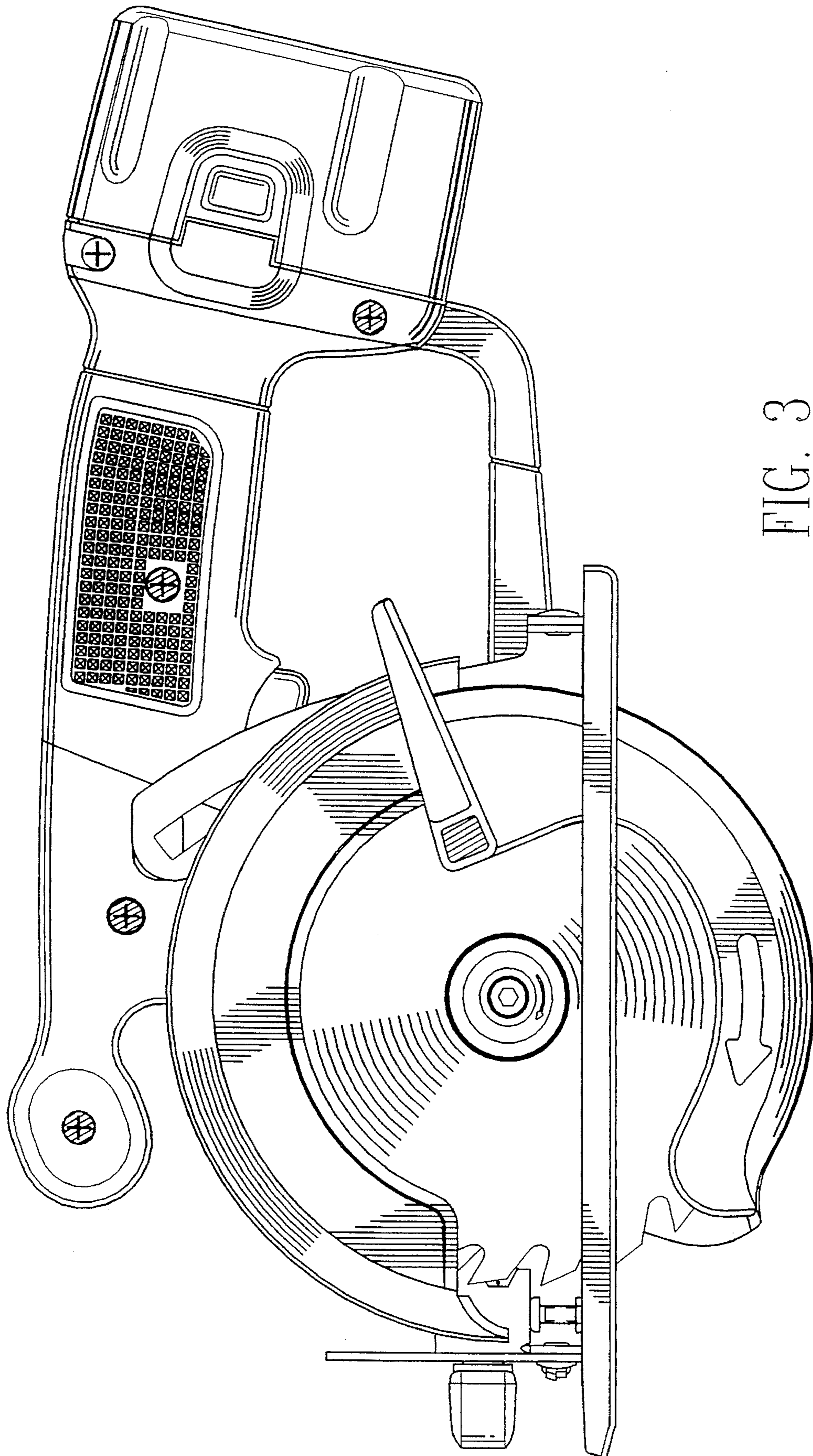


FIG. 3

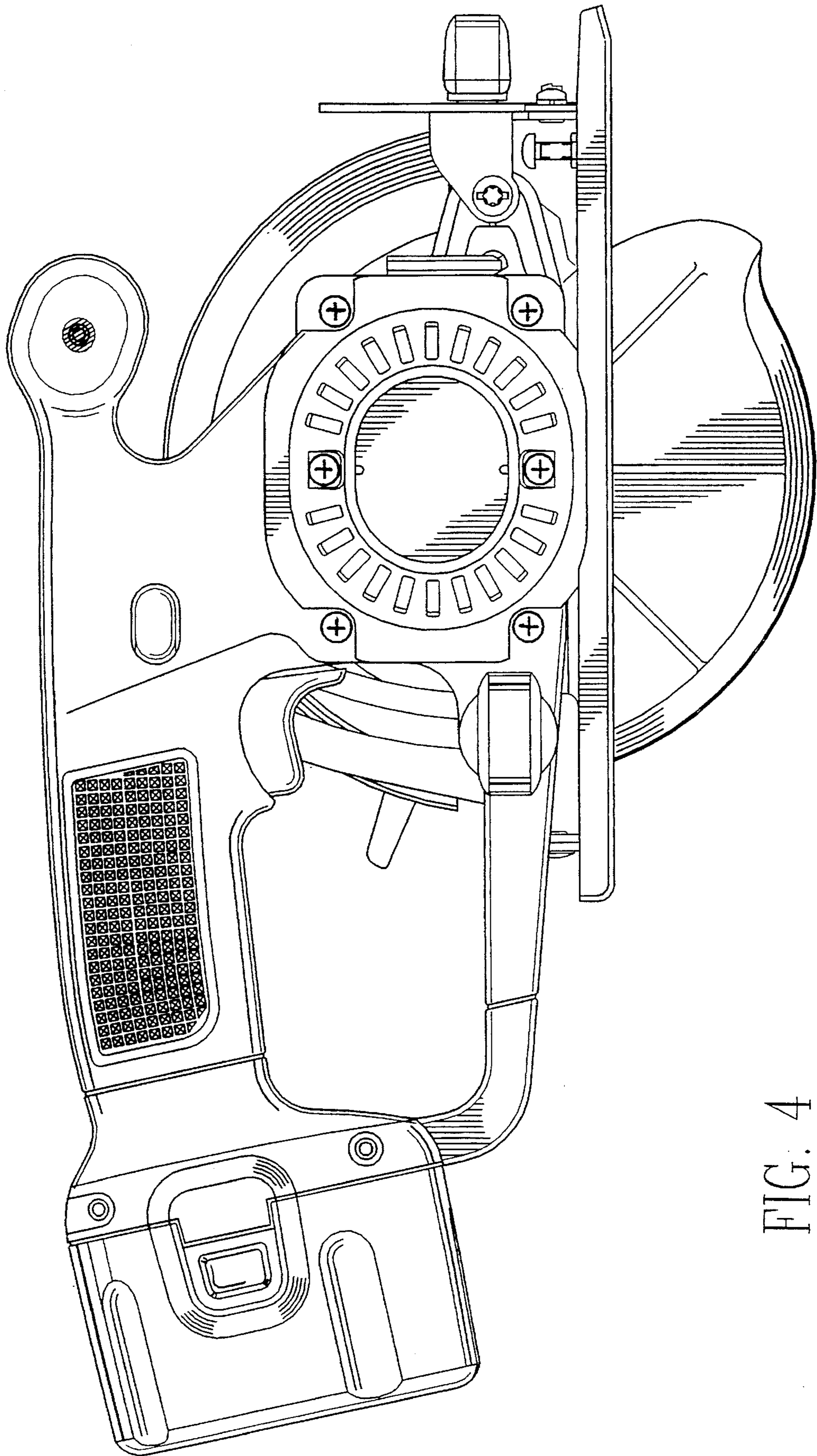


FIG. 4

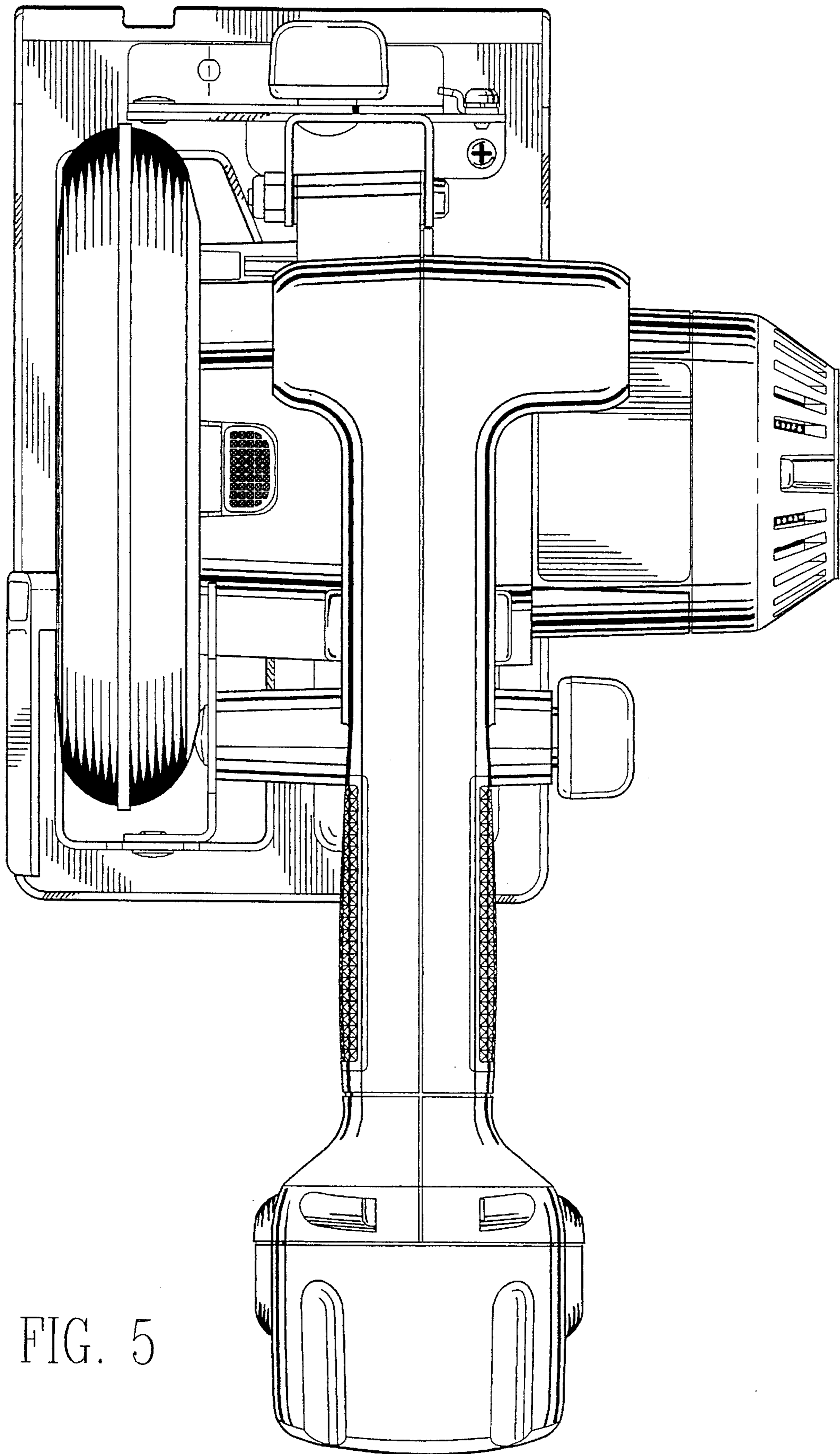


FIG. 5

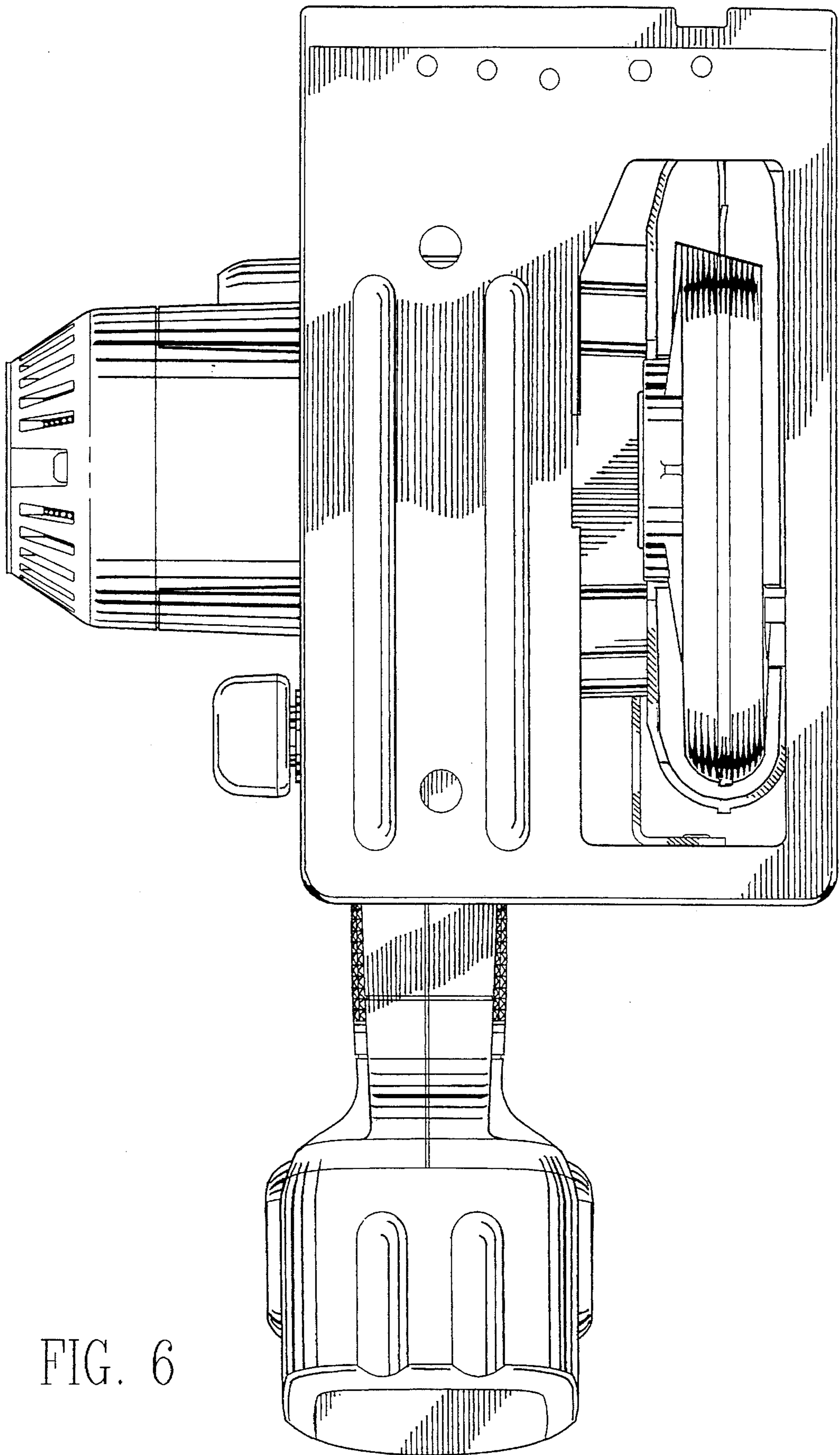


FIG. 6

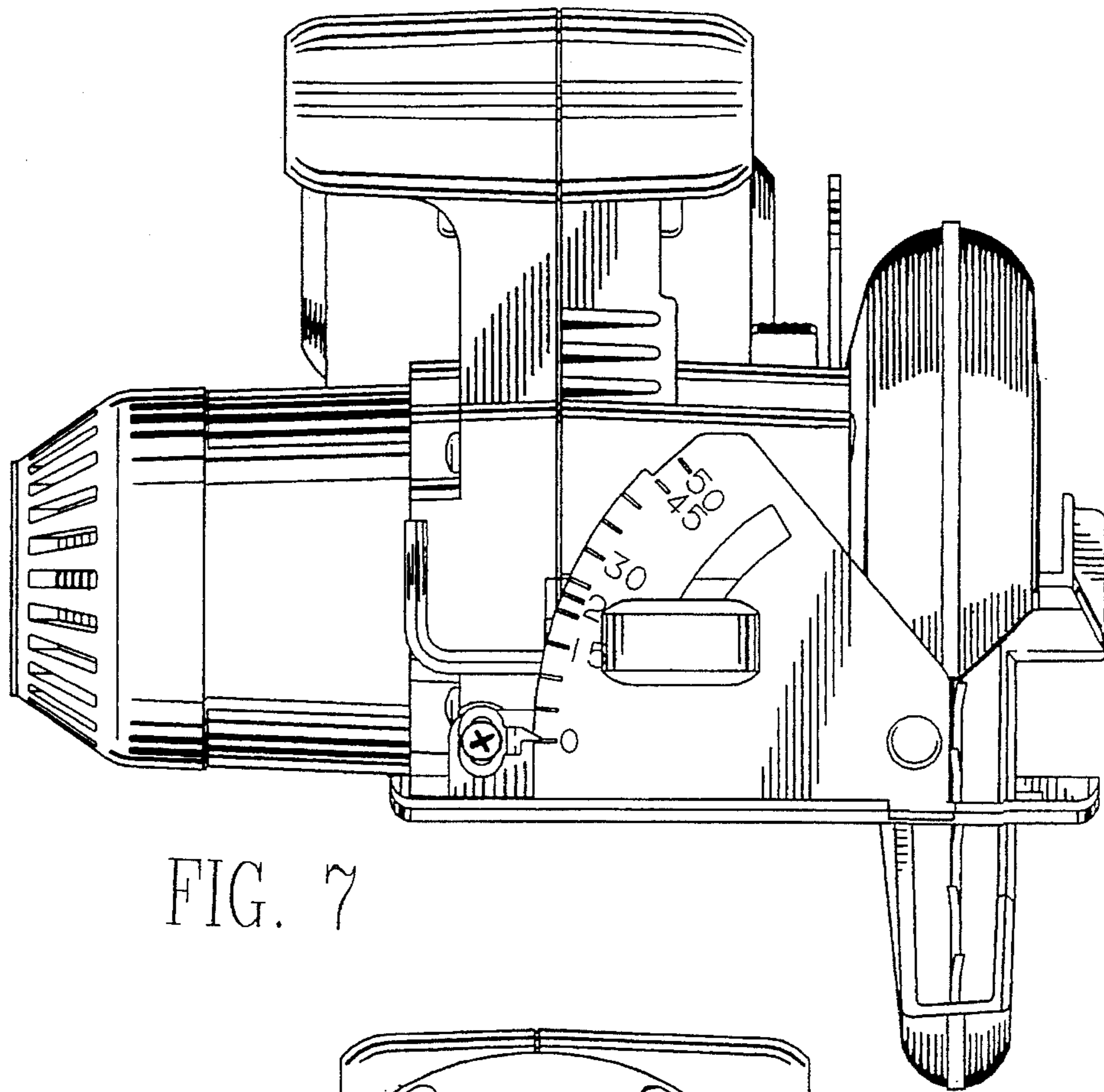


FIG. 7

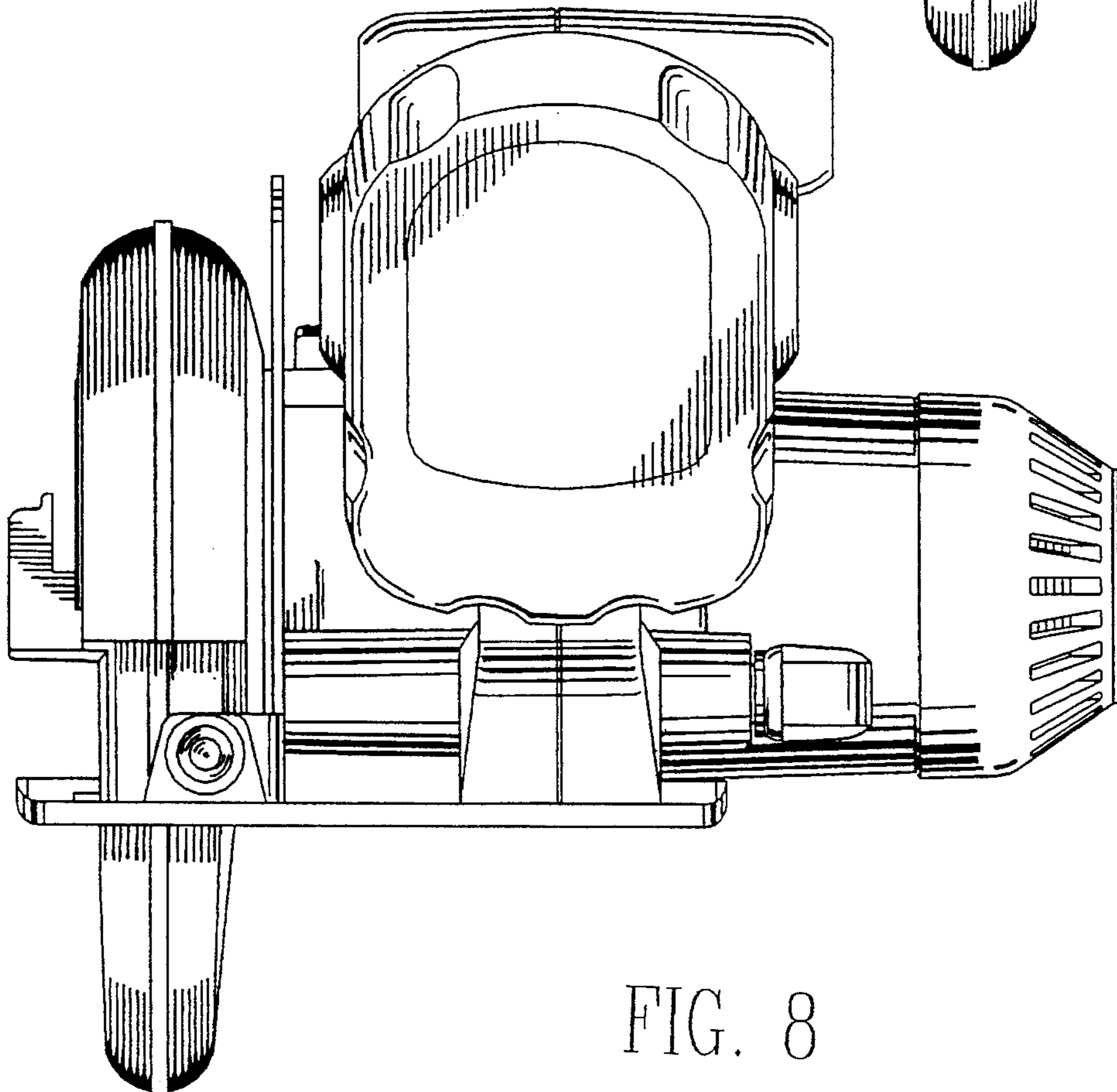


FIG. 8



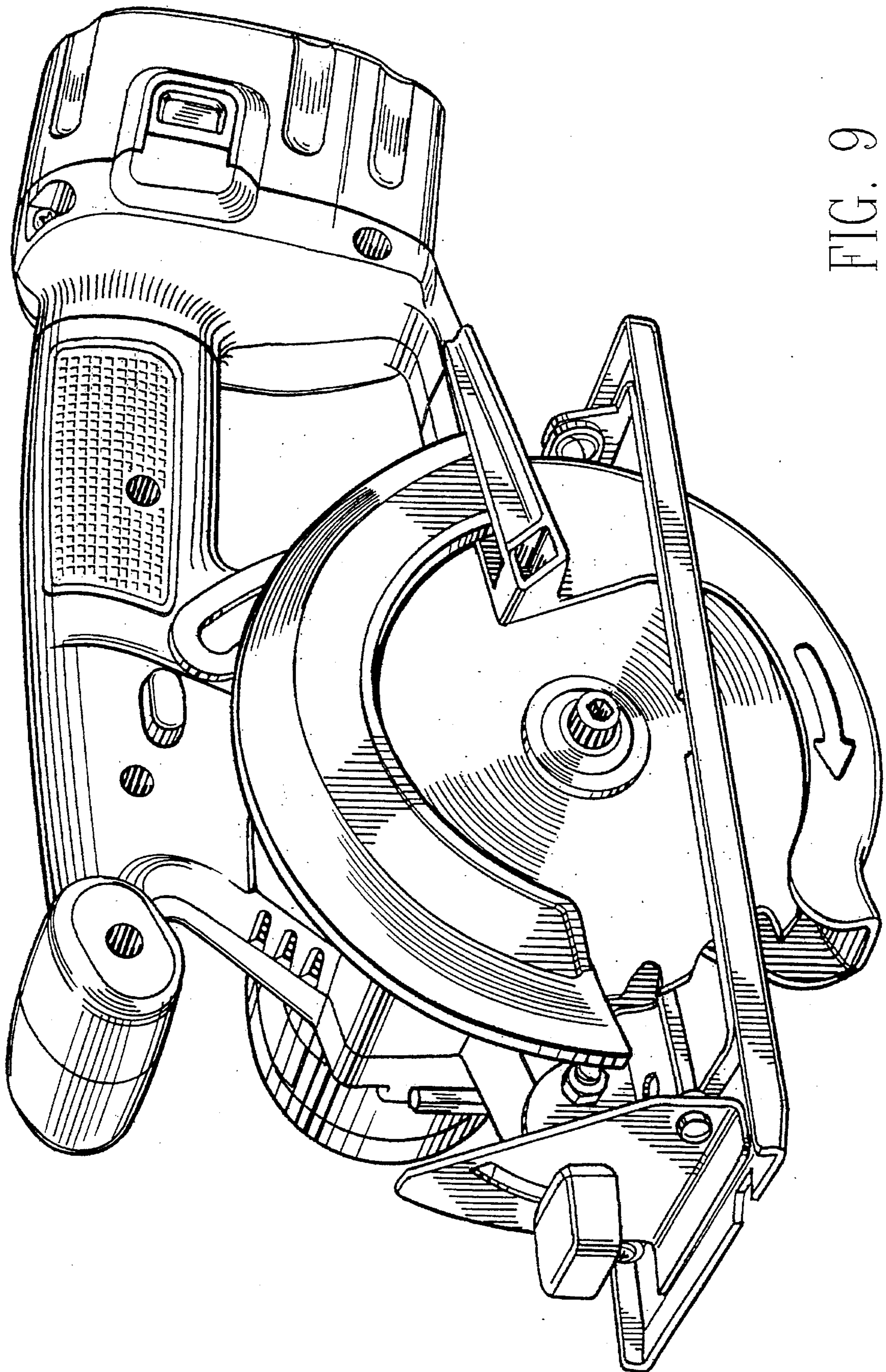


FIG. 9

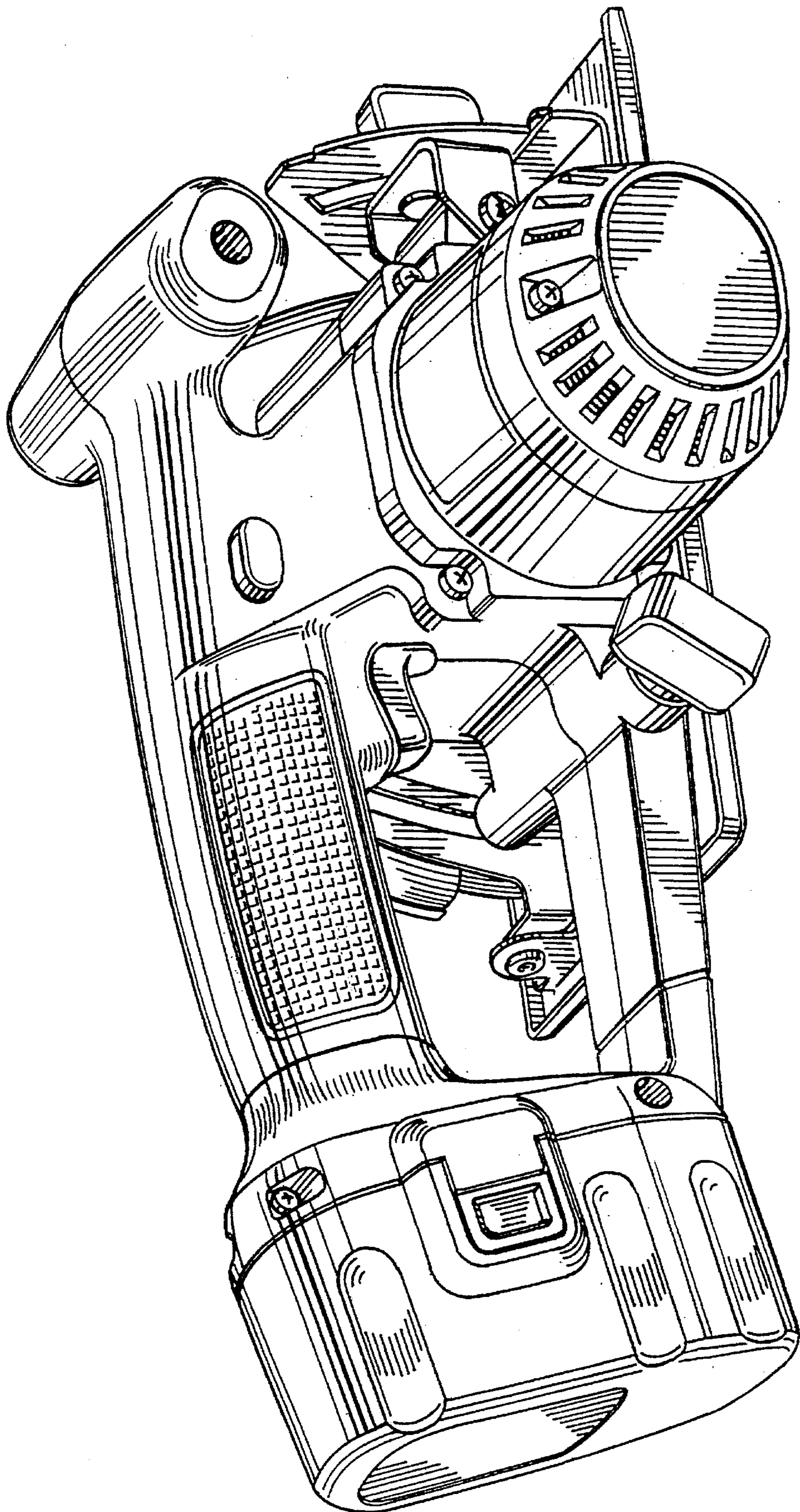


FIG. 10

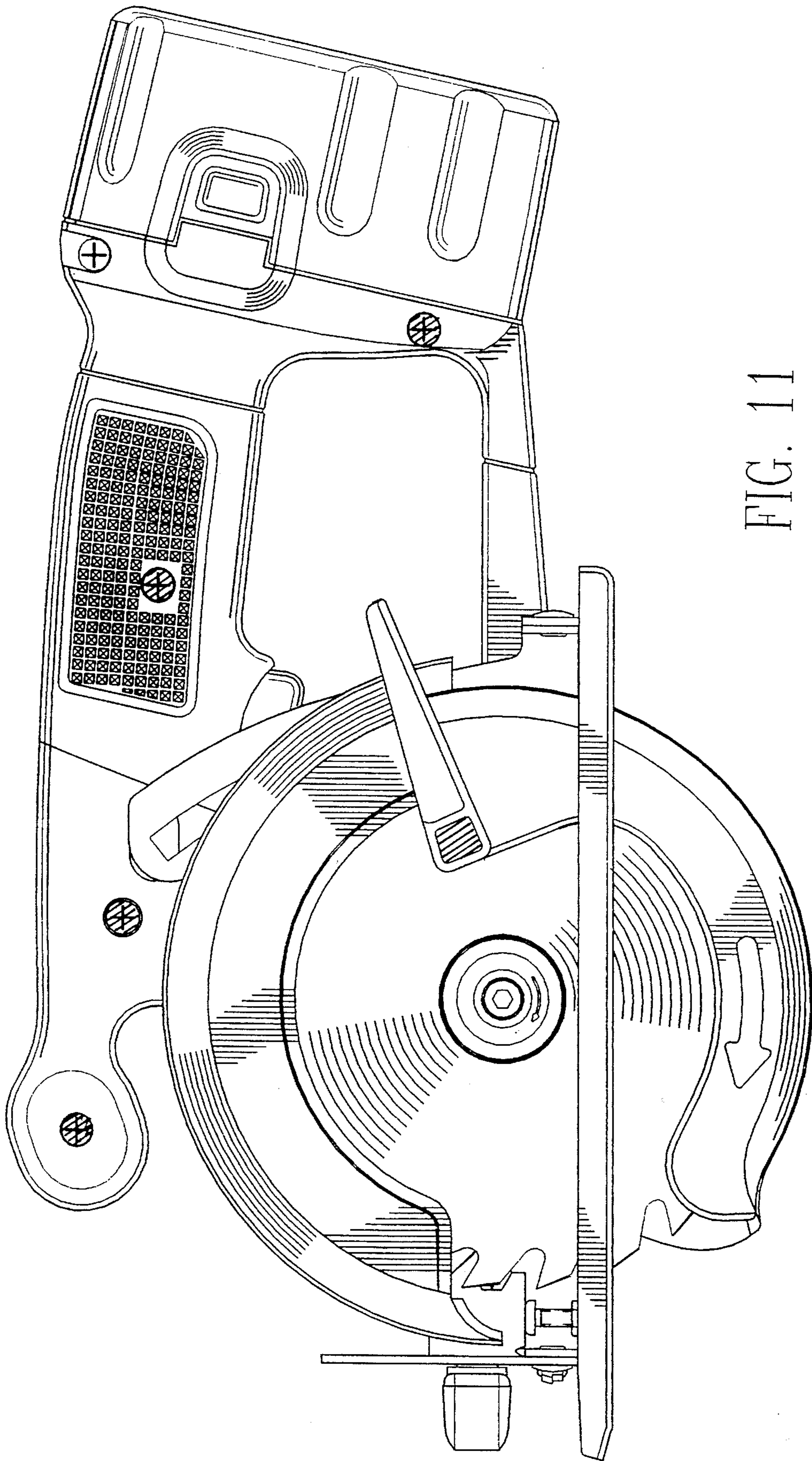


FIG. 11

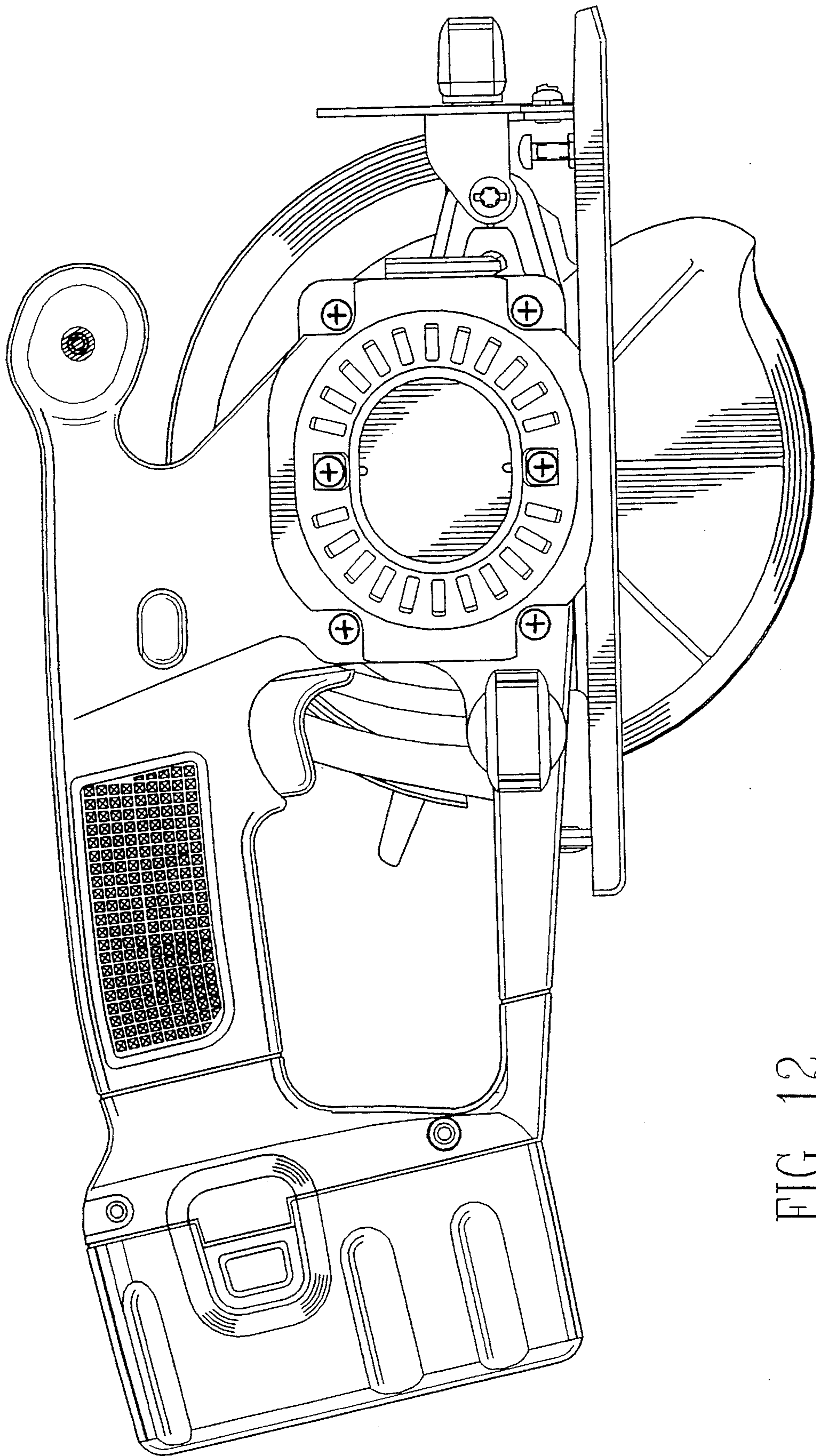


FIG. 12

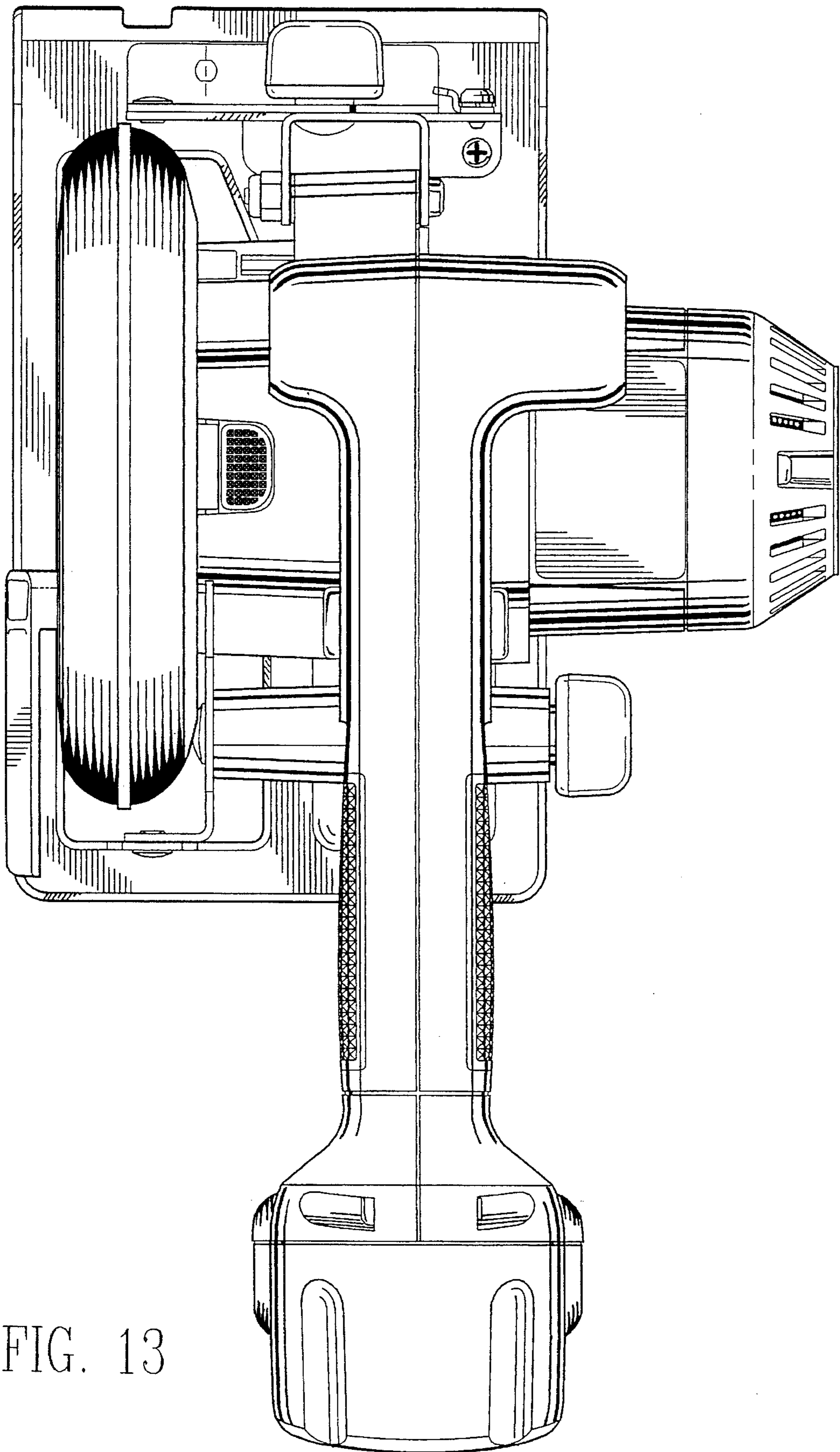


FIG. 13

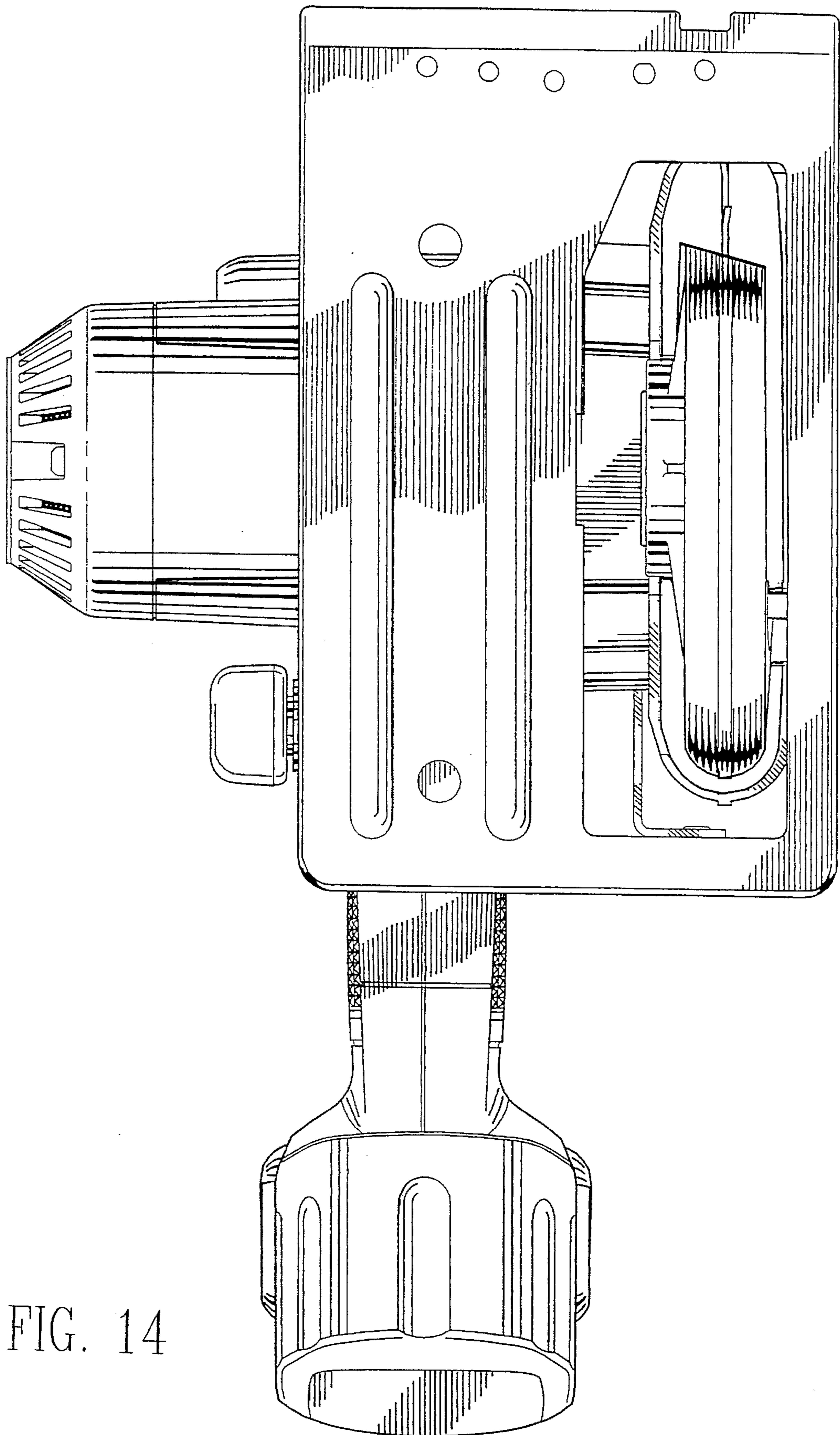


FIG. 14

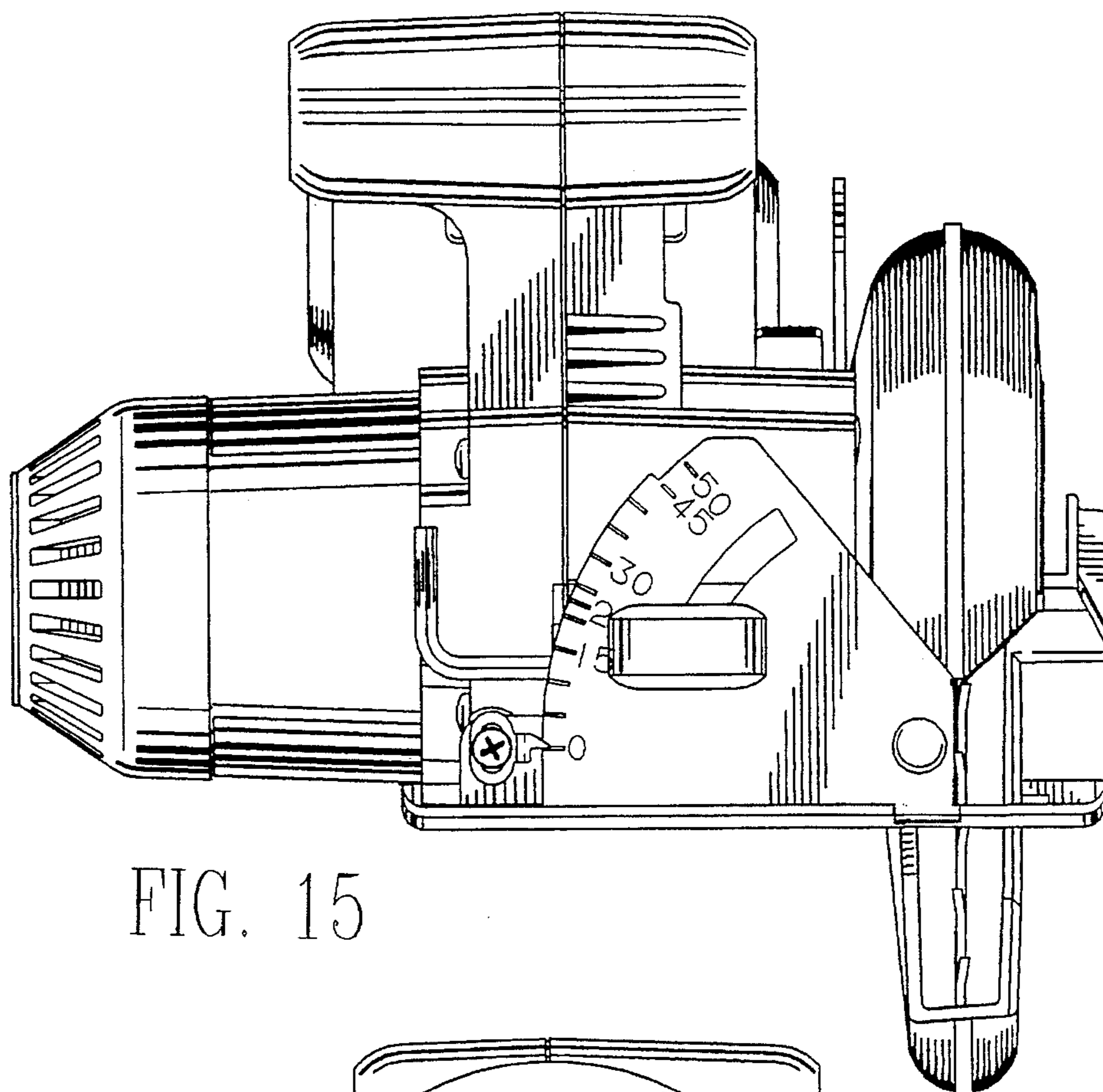


FIG. 15

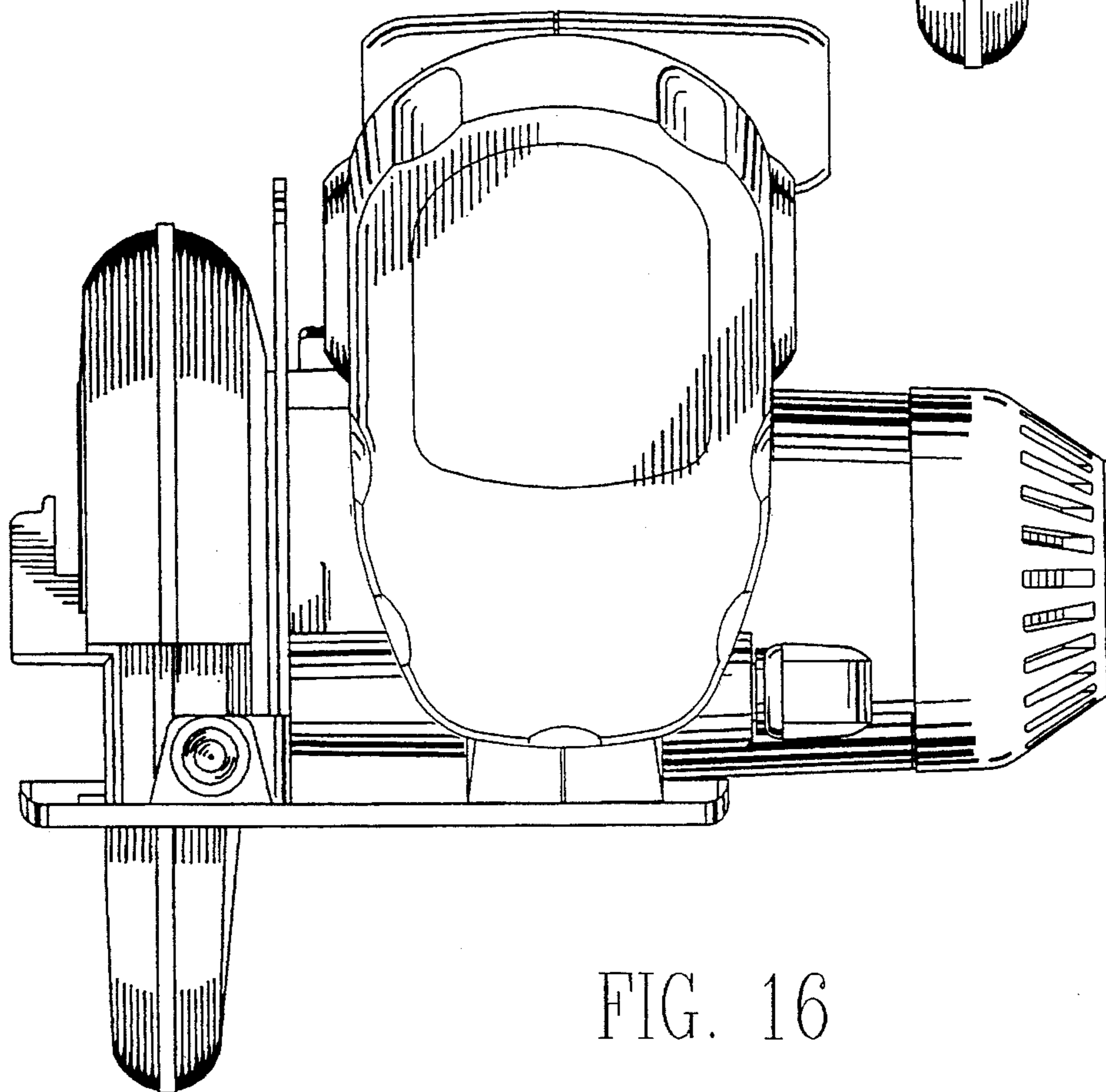


FIG. 16