



US00D363655S

United States Patent [19]

McDaniel

[11] Patent Number: **Des. 363,655**

[45] Date of Patent: ****Oct. 31, 1995**

[54] **BOLT GRIPPING TOOL**

[76] Inventor: **Raymond E. McDaniel**, 2538 N. Fair Oaks Ave., Tucson, Ariz. 85712

[**] Term: **14 Years**

[21] Appl. No.: **23,464**

[22] Filed: **May 24, 1994**

[52] U.S. Cl. **D8/51**

[58] Field of Search D8/14, 51, 52, D8/107; 294/19.1, 3, 11, 50.9, 16, 100

[56] References Cited

U.S. PATENT DOCUMENTS

D. 235,130	5/1975	Helm	D8/51
D. 298,728	11/1988	Bergkvist et al.	D8/51
D. 342,876	1/1994	Brontkowski et al.	D8/51
3,885,824	5/1975	Hulst	294/19.1
3,937,512	2/1976	Baughman	294/19.1
4,669,769	6/1987	Polder, Jr.	294/19.1
4,709,839	12/1987	Tucker	294/19.1
4,938,516	7/1990	Temple	294/19.1
5,154,465	10/1992	Pakosh	294/19.1

Primary Examiner—Ted Shooman
Assistant Examiner—Philip Hyder
Attorney, Agent, or Firm—Warren F. B. Lindsley

[57] CLAIM

The ornamental design for a bolt gripping tool, as shown and described.

DESCRIPTION

FIG. 1 is a perspective view of the top, left end and front of a bolt gripping tool embodying the design;

FIG. 2 is a right side elevational view of the bolt gripping tool shown in FIG. 1;

FIG. 3 is a fragmentary front view thereof, shown with the center section removed for ease of illustration;

FIG. 4 is a fragmentary rear view thereof, shown with the center section removed for ease of illustration;

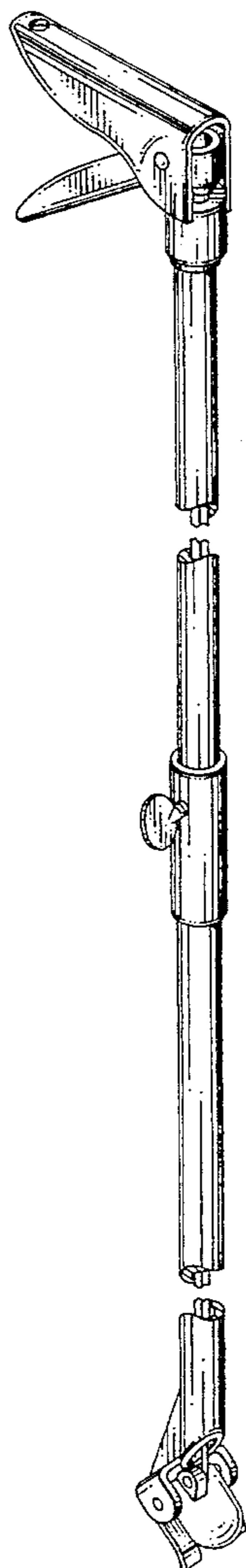
FIG. 5 is a top view of FIG. 1; and,

FIG. 6 is a bottom view of FIG. 1.

The tool is shown fragmentarily to indicate indeterminate length.

The broken line portion of FIG. 2 is for illustrative purposes only and forms no part of the claimed design.

1 Claim, 1 Drawing Sheet



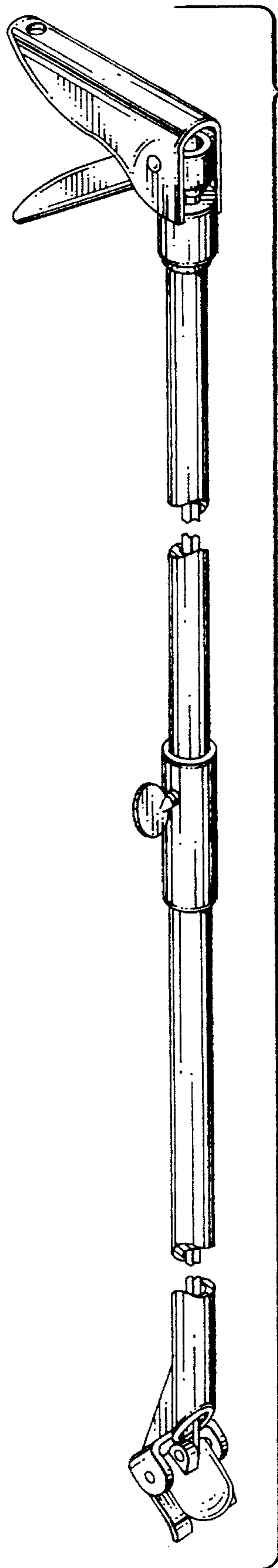


FIG. 1

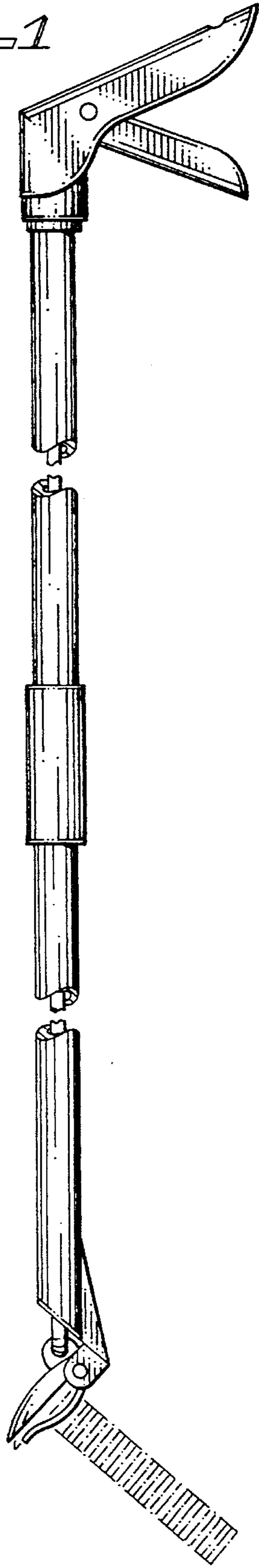


FIG. 2

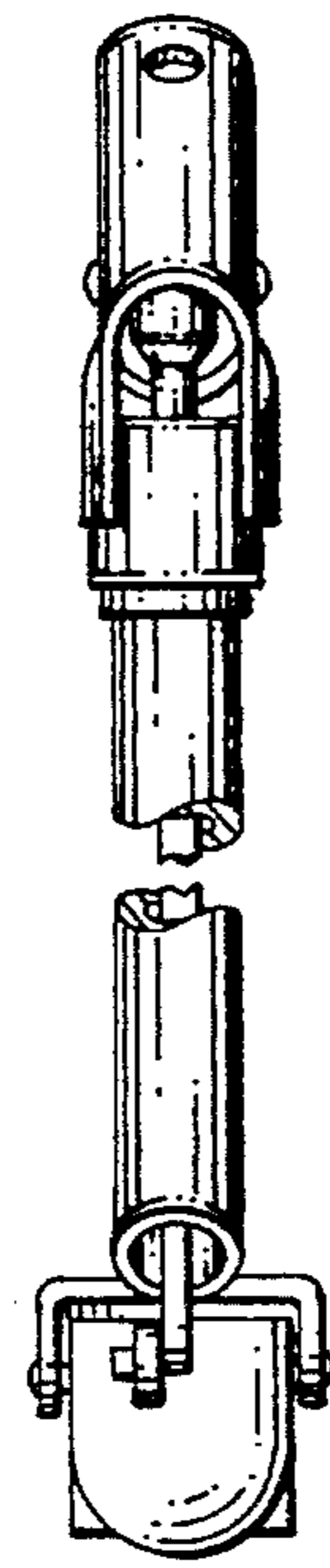


FIG. 3

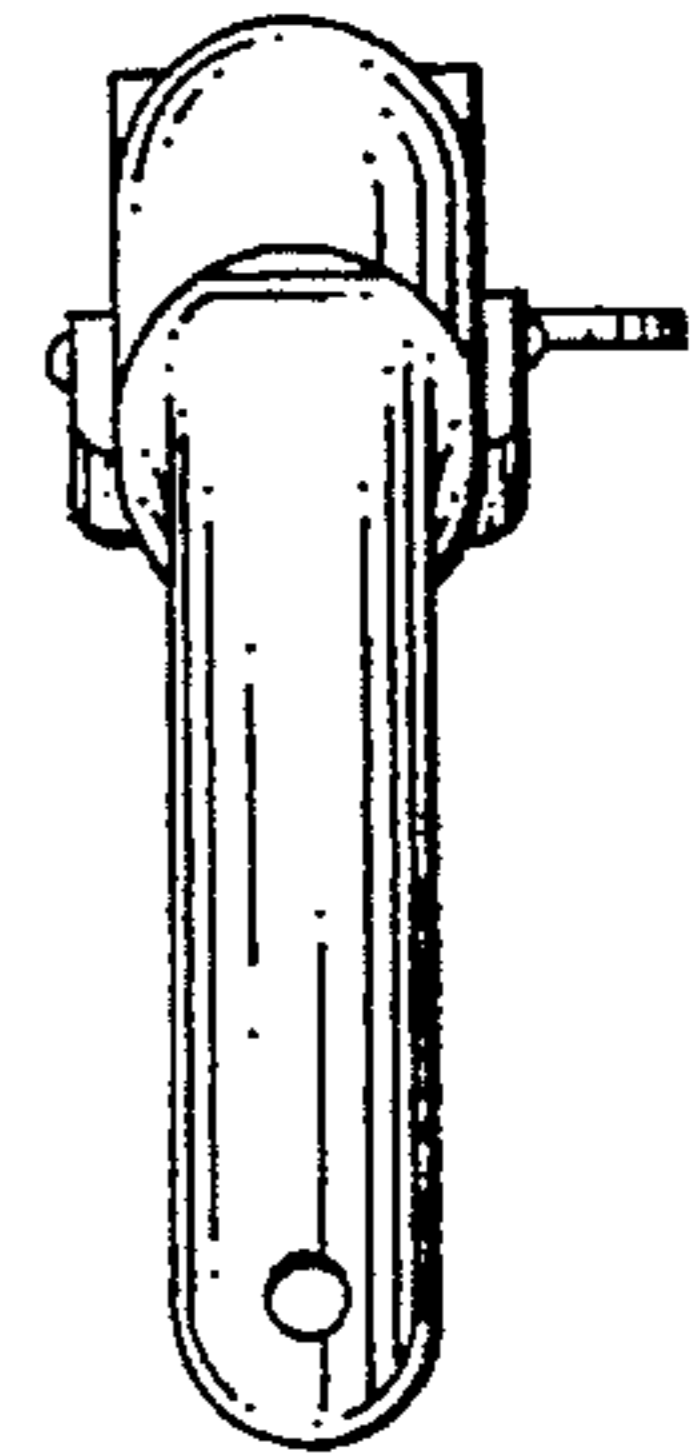


FIG. 5

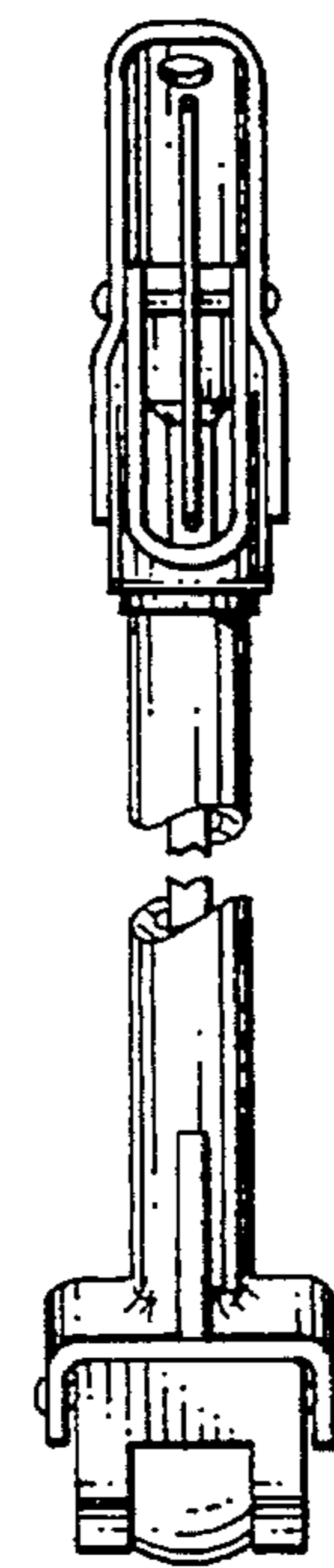


FIG. 4

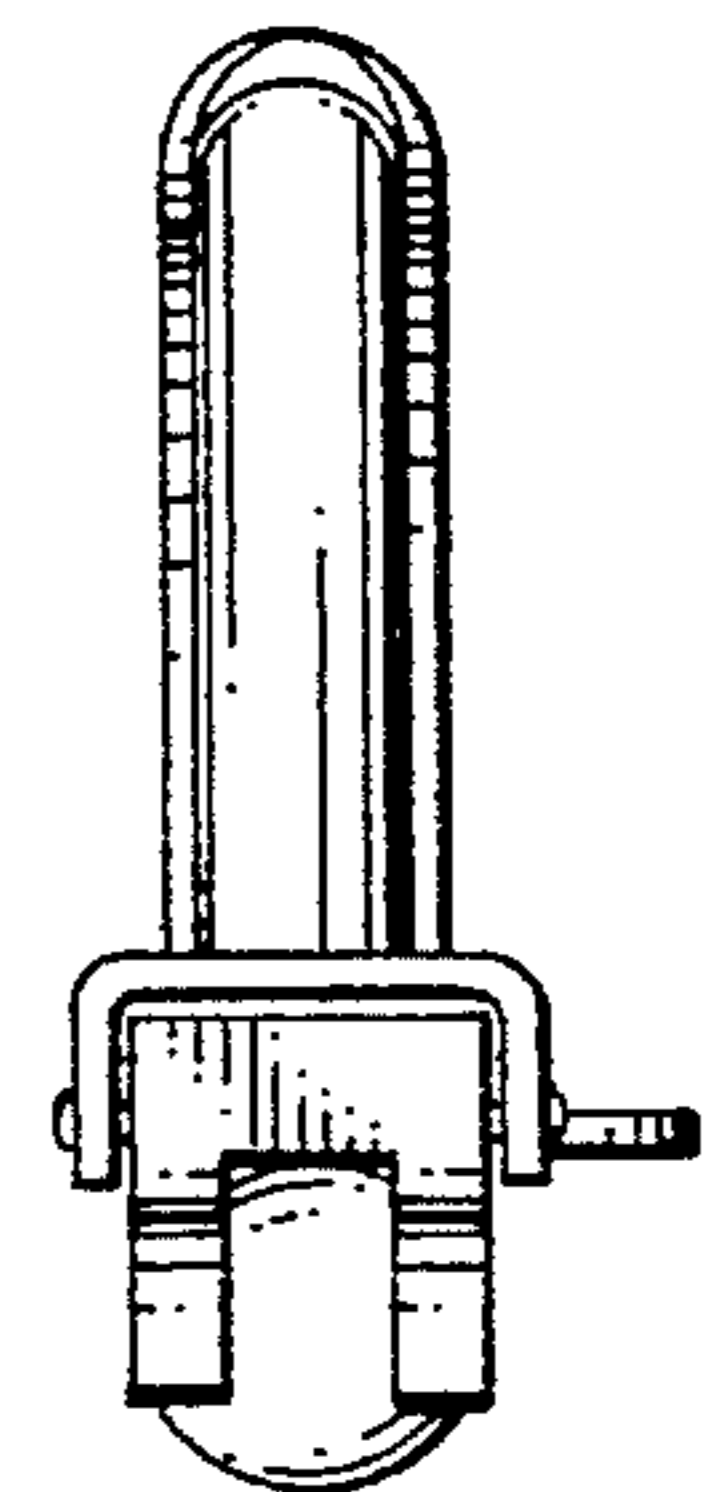


FIG. 6