



US00D363654S

United States Patent [19]
Gander

[11] **Patent Number: Des. 363,654**

[45] **Date of Patent: **Oct. 31, 1995**

[54] **TOOL FOR OPENING BEVERAGE CONTAINERS**

[76] Inventor: **John I. Gander**, 1700 Bowman Rd.,
Lima, Ohio 45804-4219

[**] Term: **14 Years**

[21] Appl. No.: **18,327**

[22] Filed: **Feb. 3, 1994**

[52] U.S. Cl. **D8/14**

[58] **Field of Search** D8/14, 33, 40,
D8/16, 18; 81/3.09, 3.4, 3.55, 3.47, 3.48,
489; 7/151

[56] **References Cited**

U.S. PATENT DOCUMENTS

D. 249,999	10/1978	Burns	D8/16
D. 275,930	10/1984	Sheppard	D8/16
4,649,849	3/1987	McCormick	30/172
4,745,830	5/1988	Gulino	81/488
5,054,338	10/1991	Weis	81/3.55

Primary Examiner—Ted Shooman
Assistant Examiner—Philip Hyder
Attorney, Agent, or Firm—John D. Gugliotta

[57] **CLAIM**

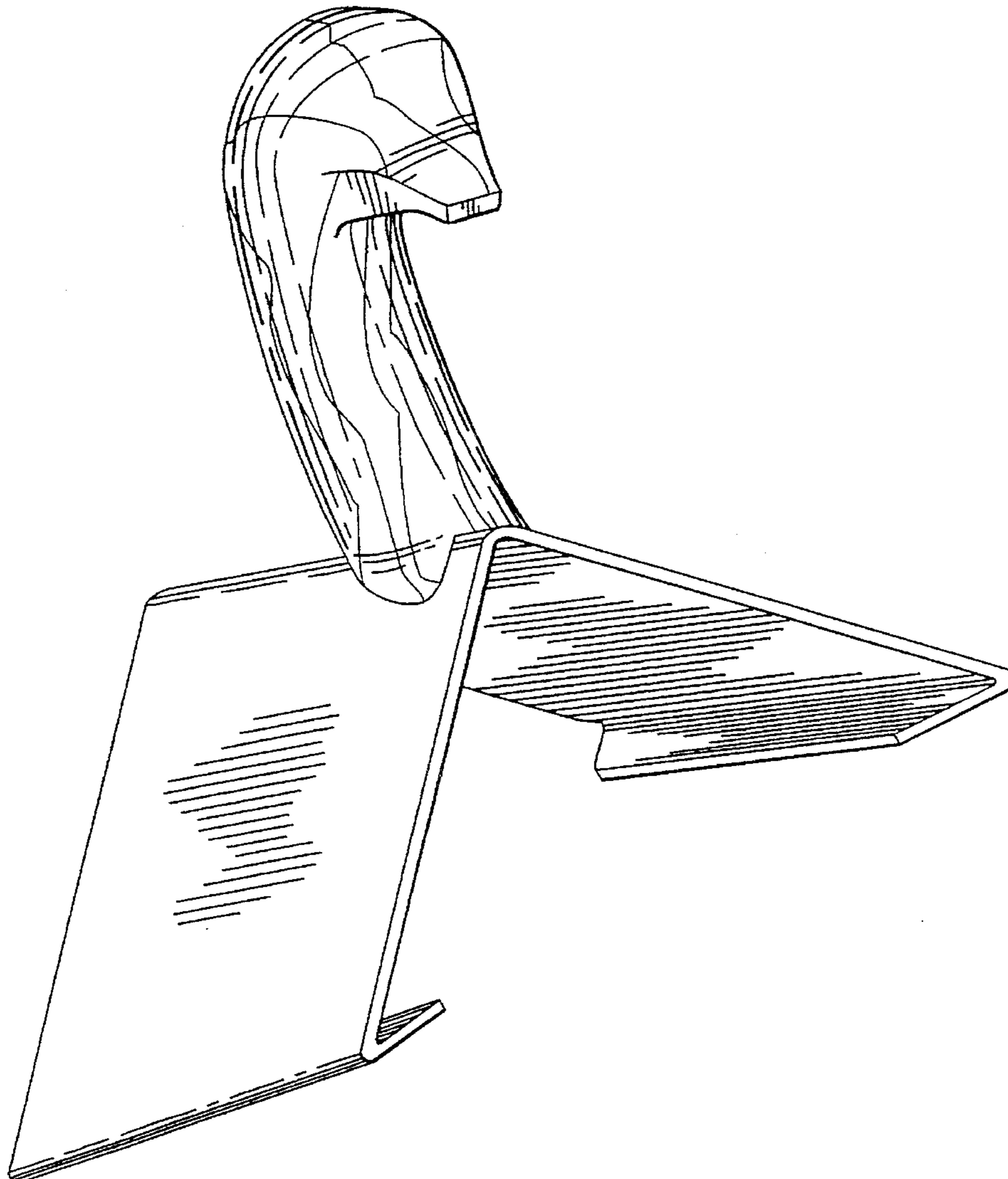
The ornamental design for a tool for opening beverage containers, as shown and described.

DESCRIPTION

FIG. 1 is a perspective view of the tool for opening beverage containers showing my new design; FIG. 2 is a side elevation view thereof; FIG. 3 is a perspective view thereof; FIG. 4 is a top plan view thereof; FIG. 5 is a bottom plan view thereof; and, FIG. 6 is a rear elevational view thereof.

The broken lines showing a beverage container in FIG. 3 are for illustrative purposes only and form no part of the claimed design.

1 Claim, 4 Drawing Sheets



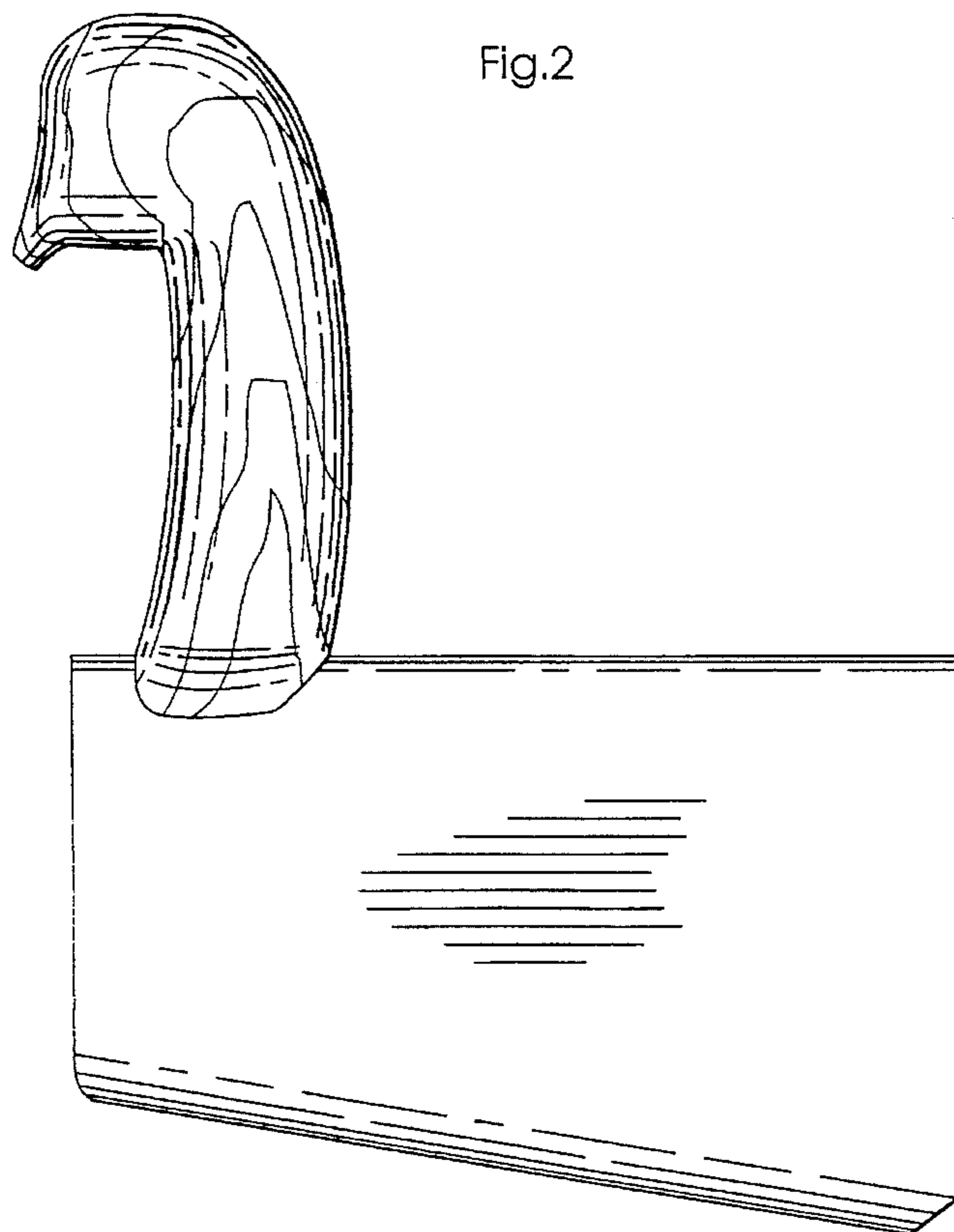
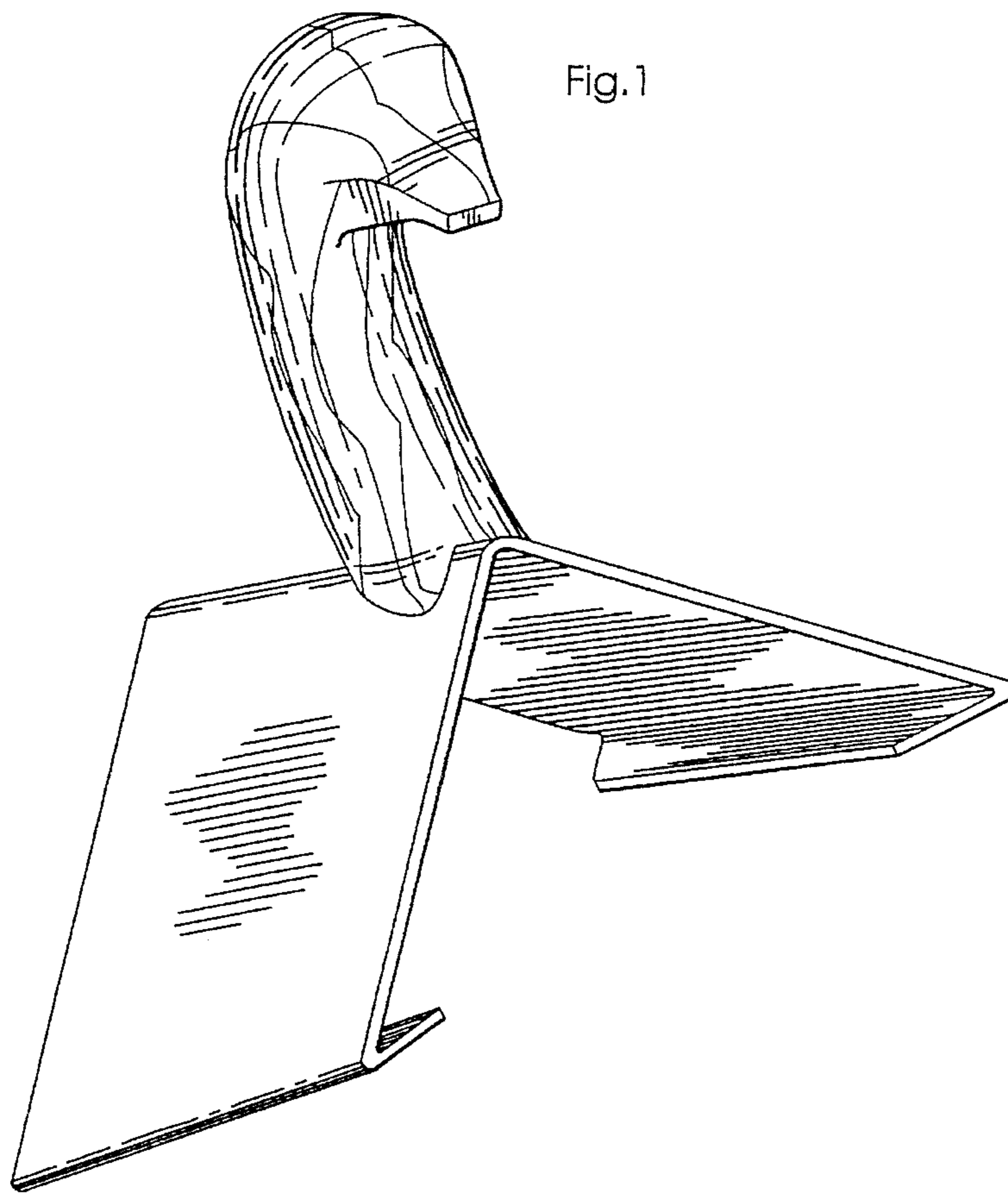


Fig.3

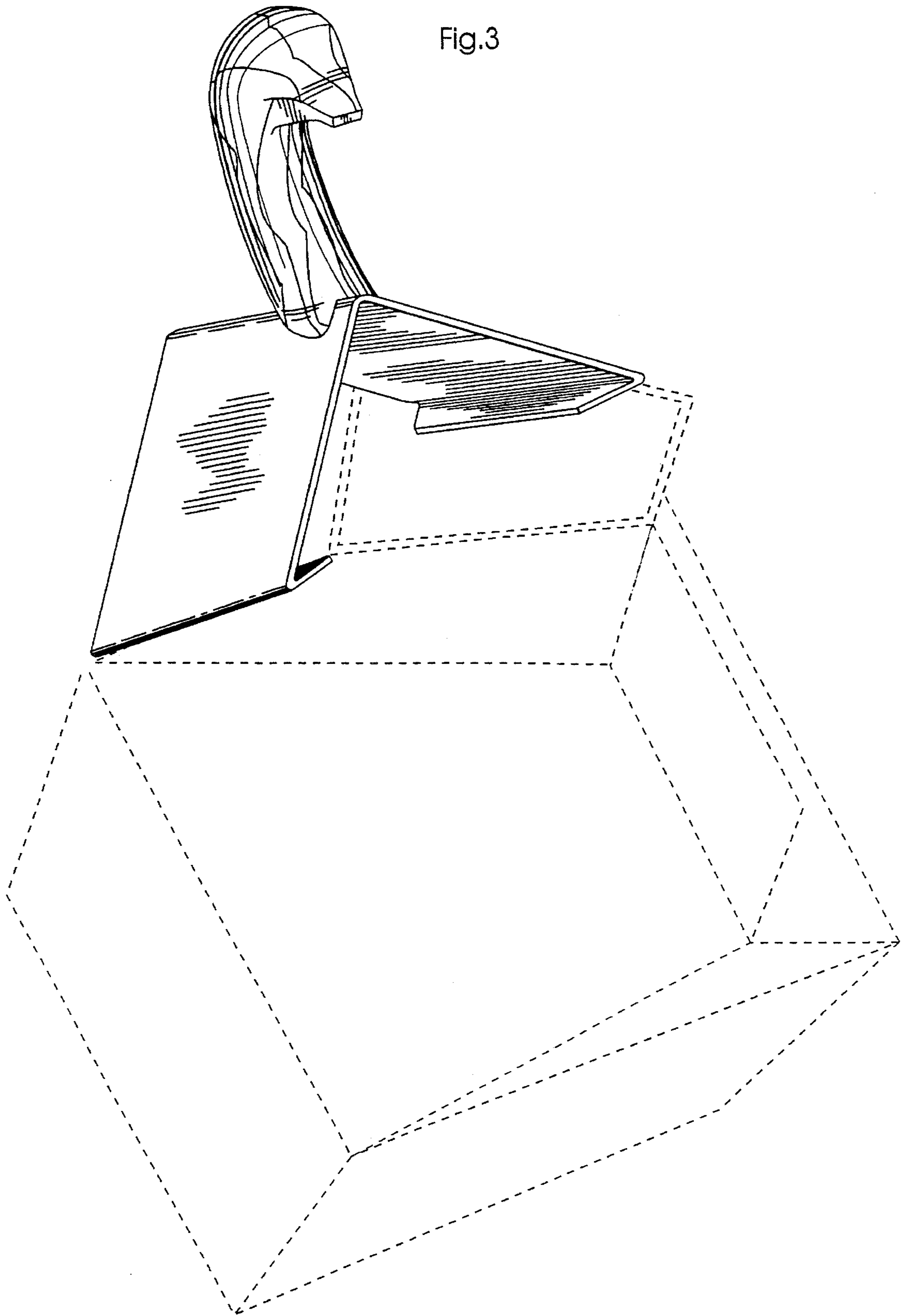


Fig.4

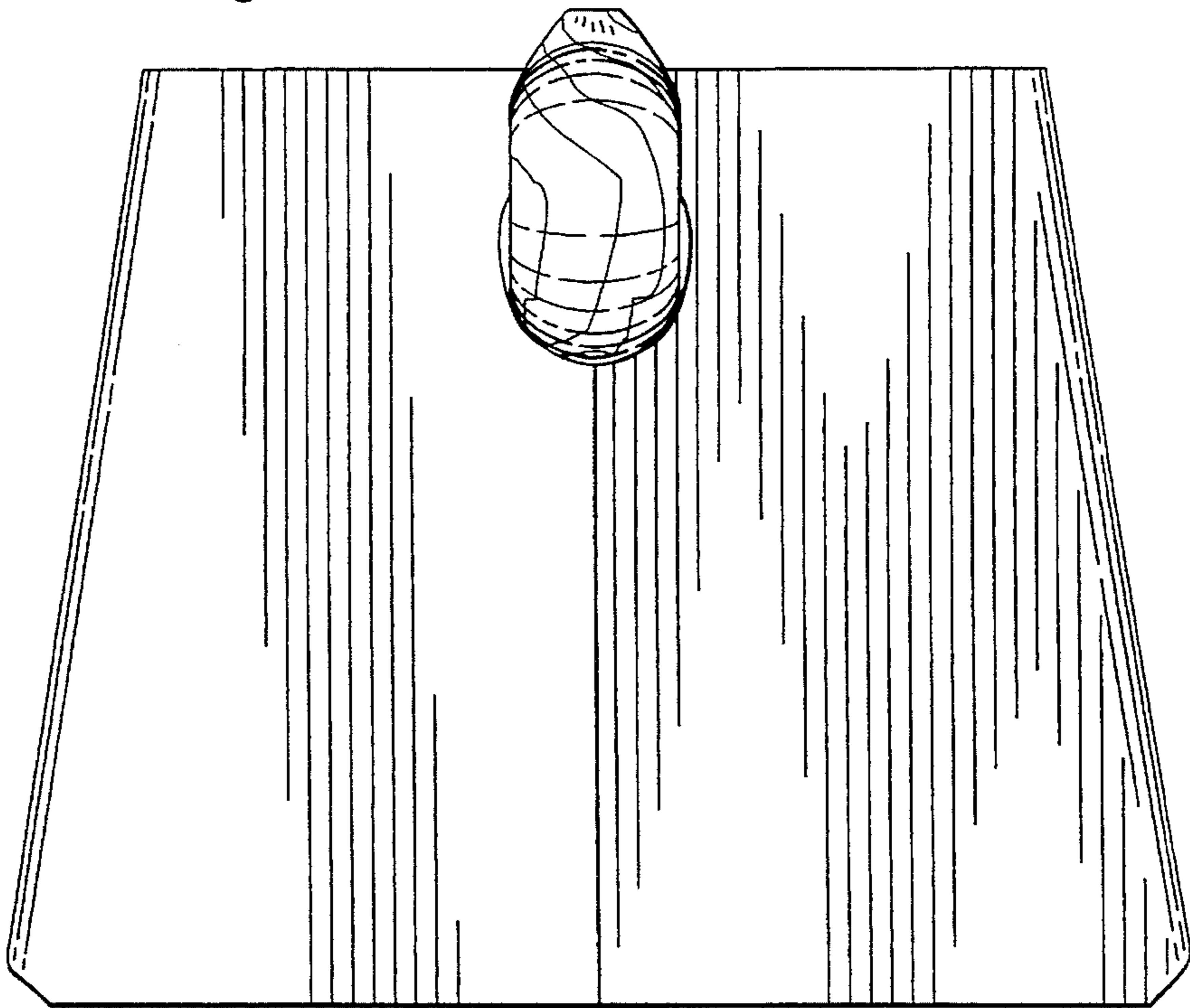
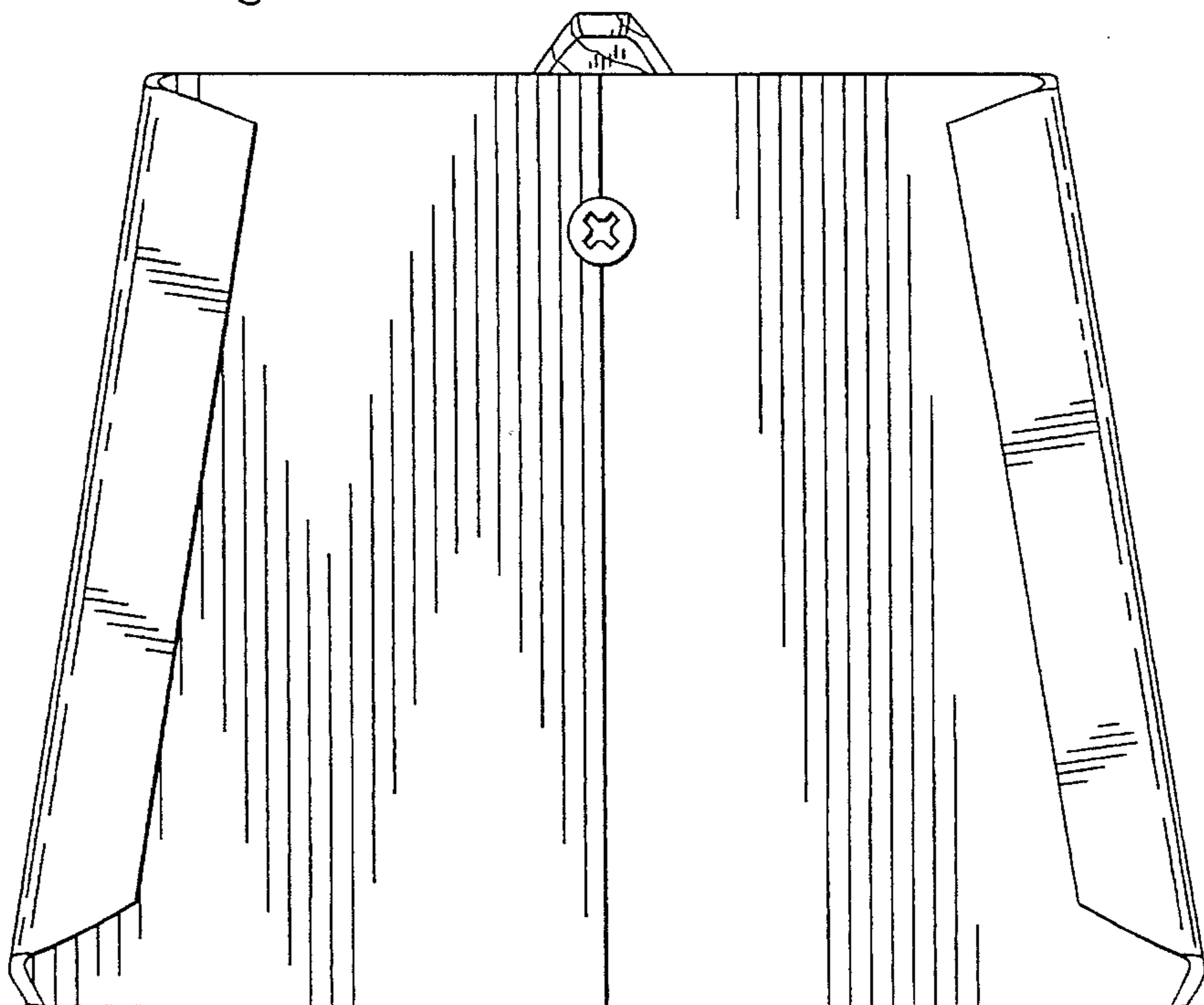


Fig.5



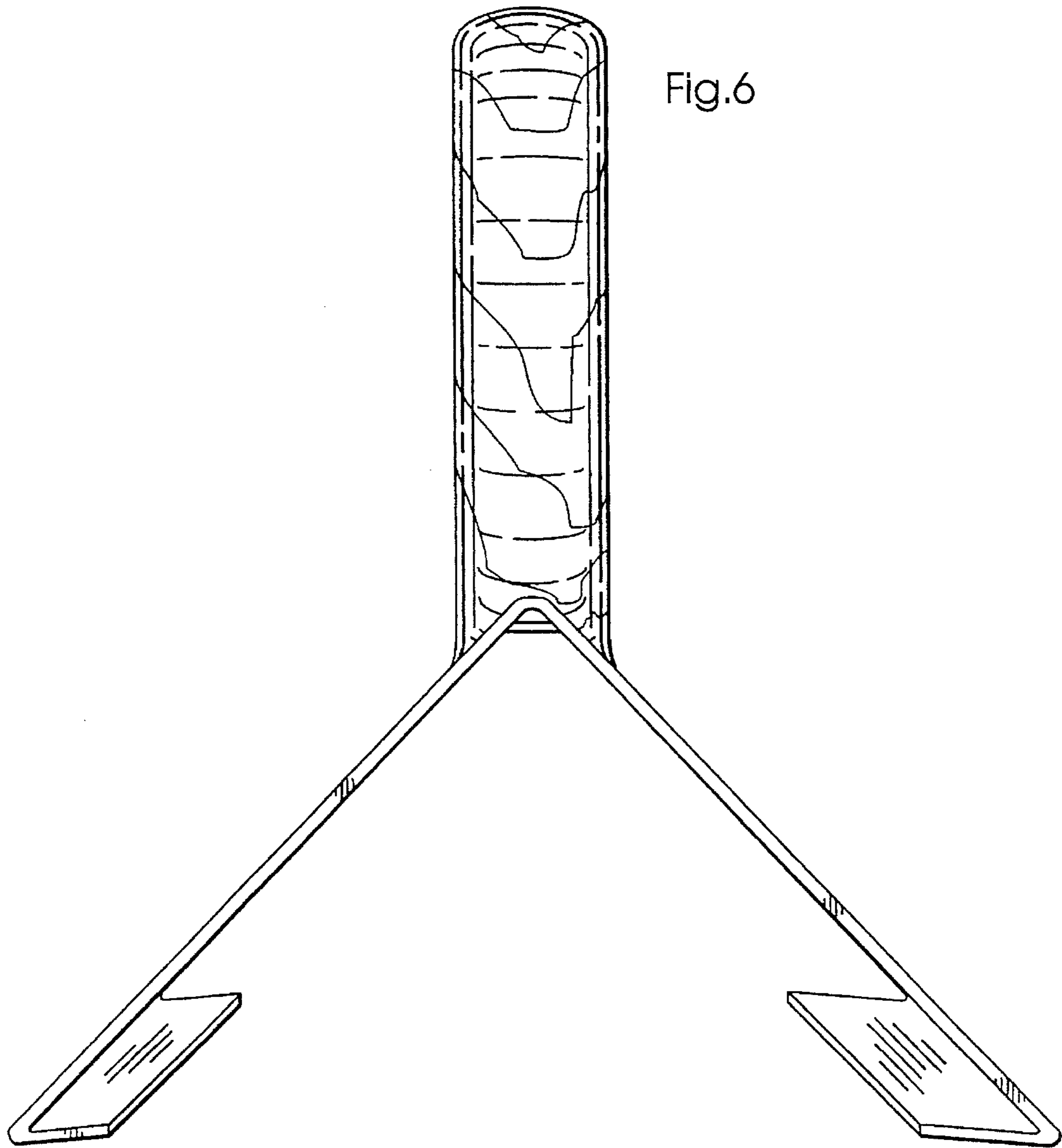


Fig. 6