



US00D363648S

United States Patent [19] O'Brien

[11] Patent Number: **Des. 363,648**

[45] Date of Patent: ****Oct. 31, 1995**

[54] **INSULATED COVERED SALAD COOLER**

3,915,304 10/1975 Pasco et al. D7/605 X

[76] Inventor: **Leonard E. O'Brien**, 130 Hwy. 47,
Winfield, Mo. 63389

Primary Examiner—Terry A. Wallace
Attorney, Agent, or Firm—Kevin A. Sembrat

[**] Term: **14 Years**

[57] **CLAIM**

[21] Appl. No.: **26,879**

The ornamental design for a insulated covered salad cooler,
as shown and described.

[22] Filed: **Aug. 8, 1994**

DESCRIPTION

[52] U.S. Cl. **D7/605**

[58] Field of Search D7/605-608; D3/273;
62/457.1, 457.4, 457.5, 457.7; 206/545,
548, 549, 541; 220/412

FIG. 1 is a top, front and left side exploded perspective view
of a insulated covered salad cooler showing my new design;
FIG. 2 is a bottom, rear and left side exploded perspective
view thereof;

[56] **References Cited**

U.S. PATENT DOCUMENTS

- D. 218,908 10/1970 Bright et al. D7/605
- D. 254,416 3/1980 Abbate .
- D. 269,398 6/1983 Ruxton .
- D. 299,801 2/1989 Basitodos .
- D. 309,239 7/1990 Deines et al. D7/605
- D. 316,360 4/1991 Thorp D7/565
- D. 317,240 6/1991 Bridges et al. D7/605
- D. 325,493 4/1992 Hicks et al. D7/605

FIG. 3 is a top plan view thereof, with the cover removed
therefrom;

FIG. 4 is a top plan view thereof;

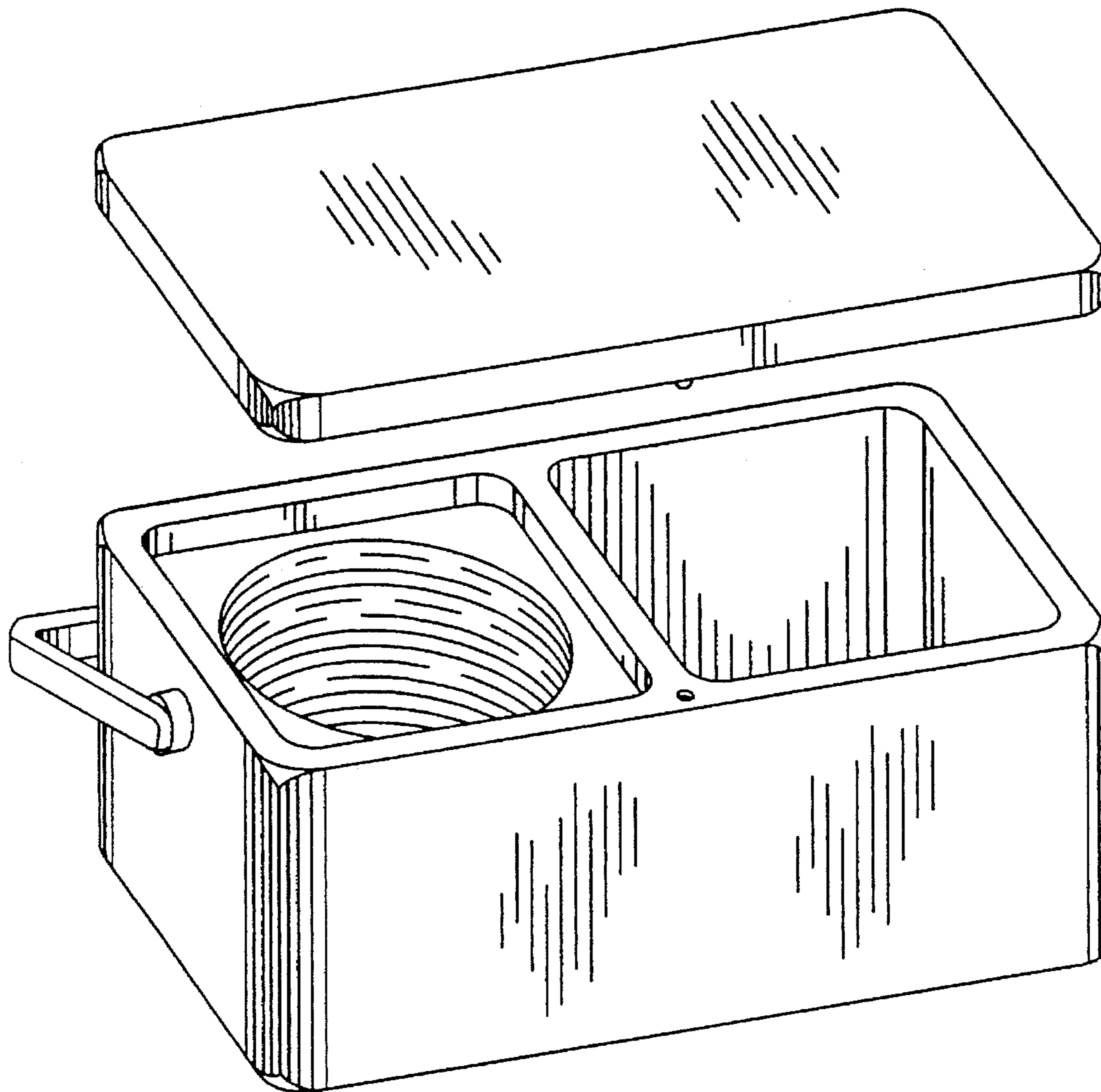
FIG. 5 is a bottom plan view thereof, with the cover removed
therefrom;

FIG. 6 is a right side exploded elevational view thereof;

FIG. 7 is a back exploded elevational view thereof; and,

FIG. 8 is a front cross-sectional view thereof, taken along the
line 8—8 of FIG. 4.

1 Claim, 4 Drawing Sheets



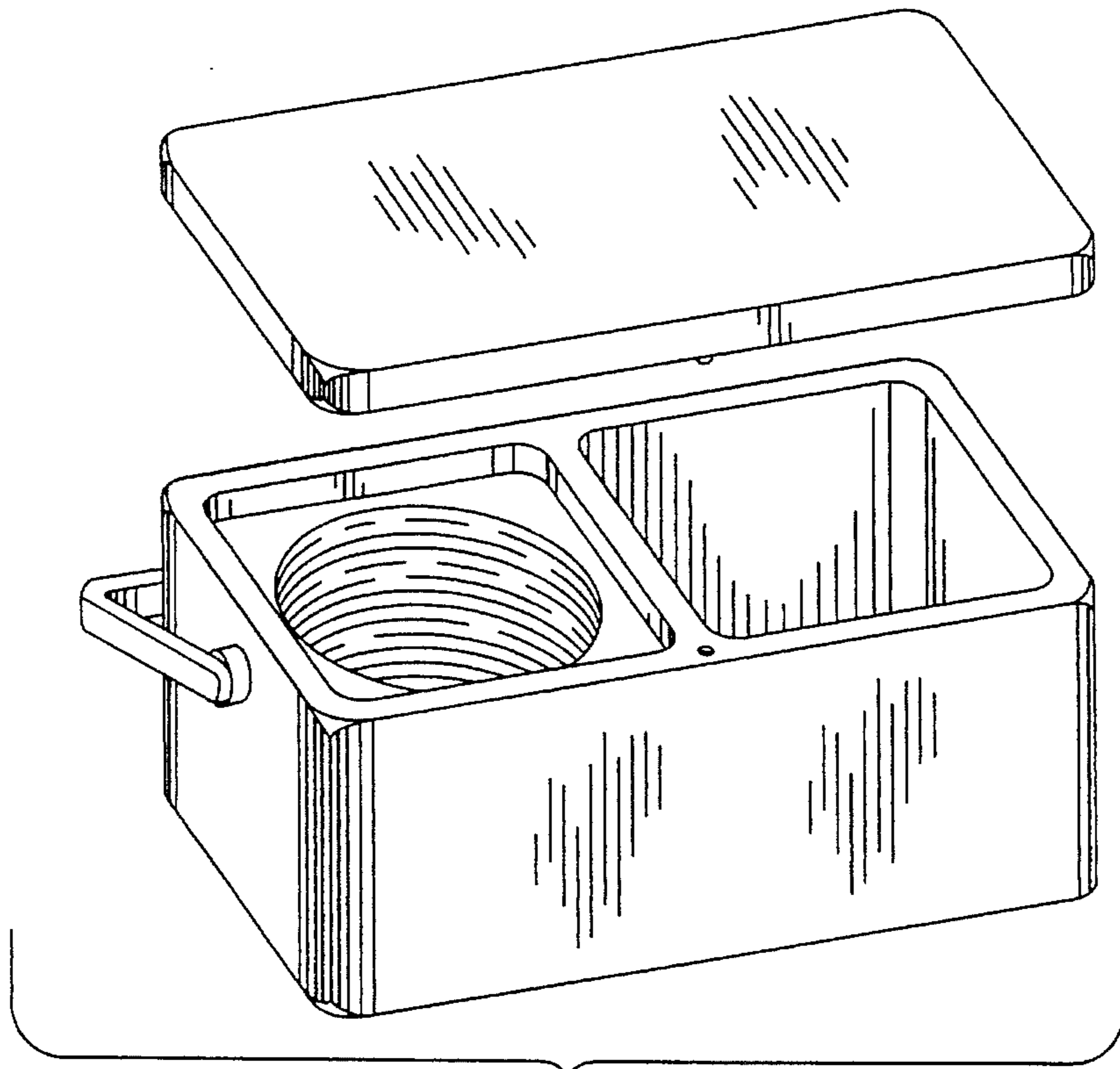


Fig.1

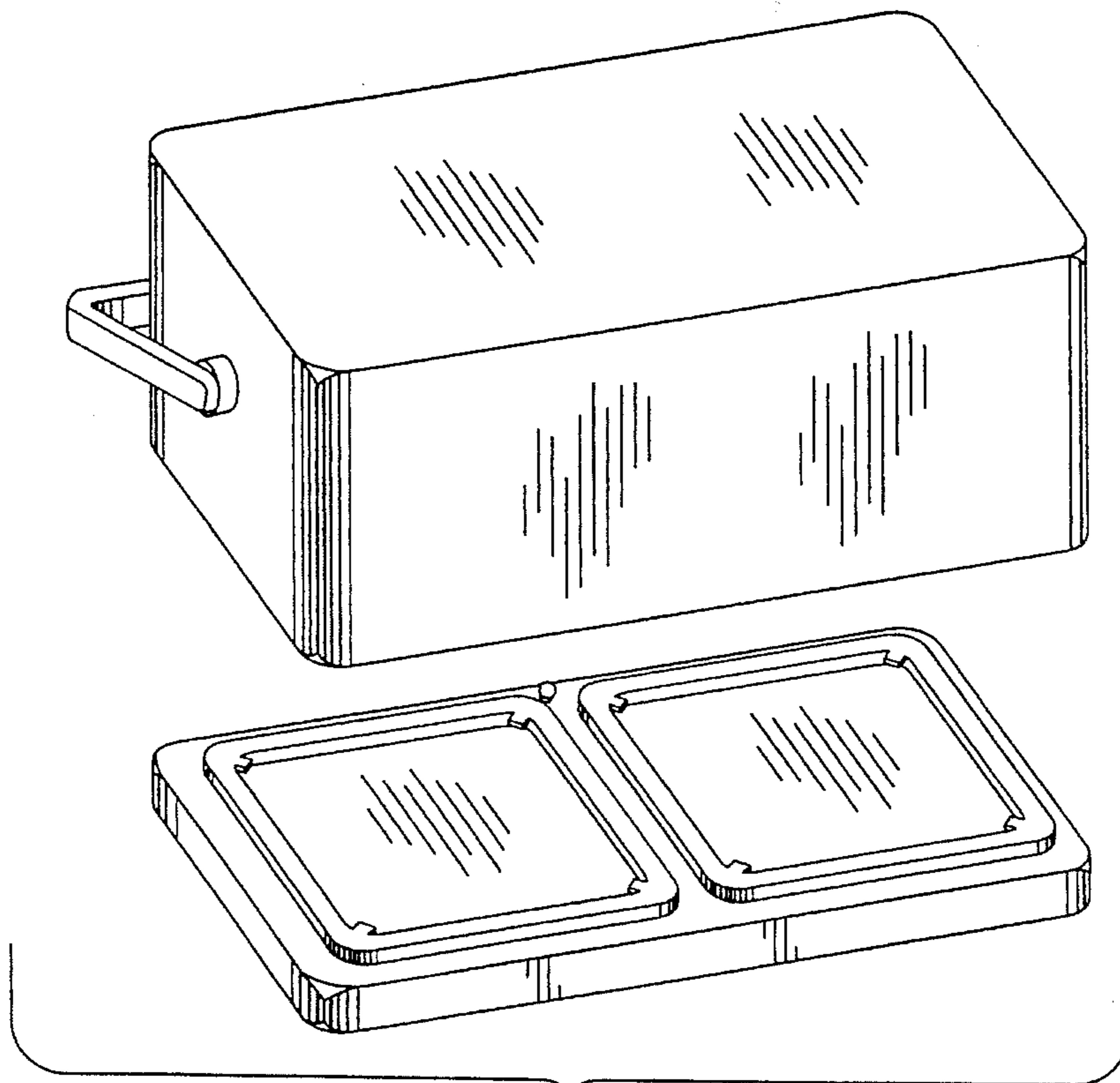


Fig.2

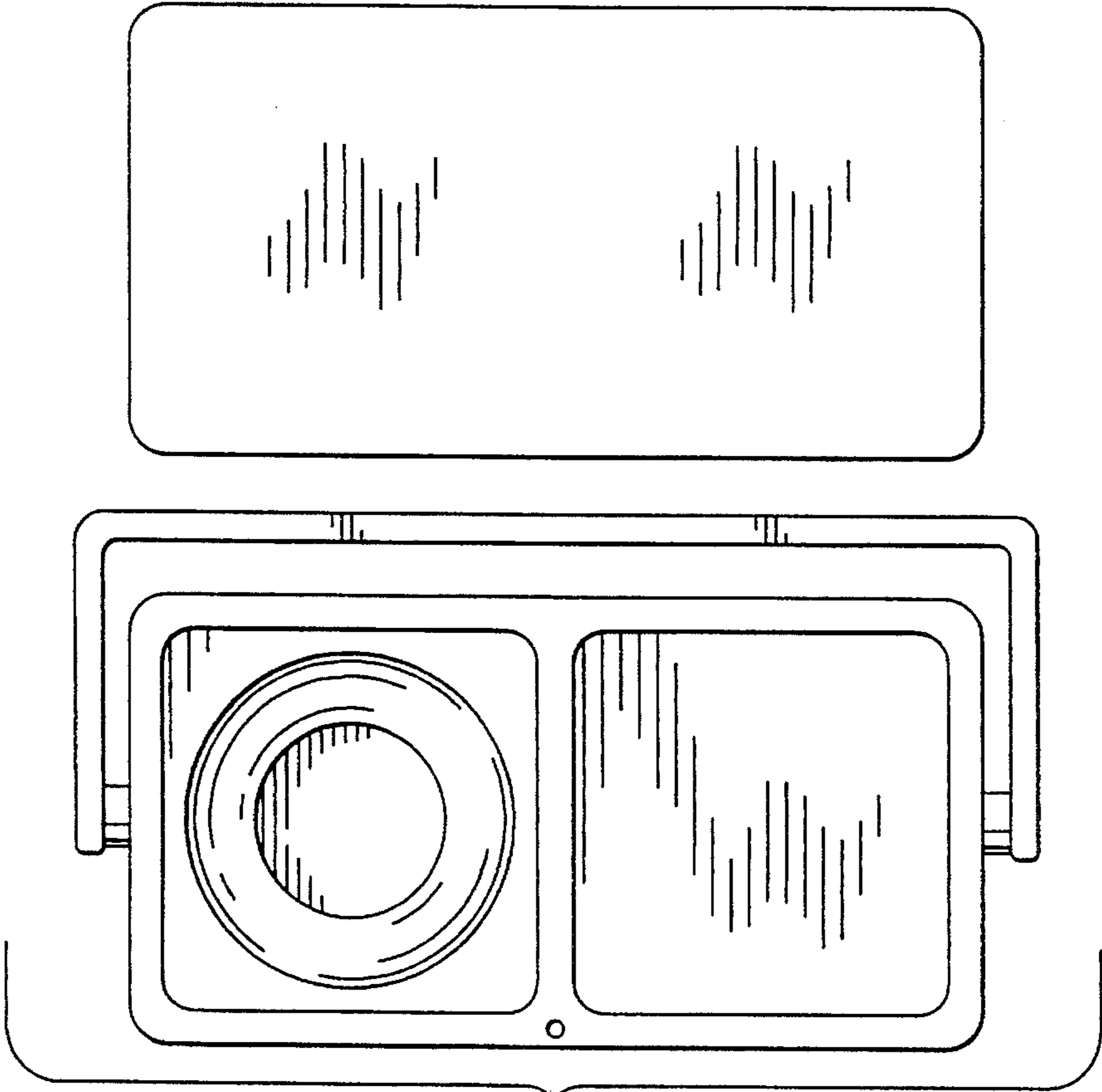


Fig.3

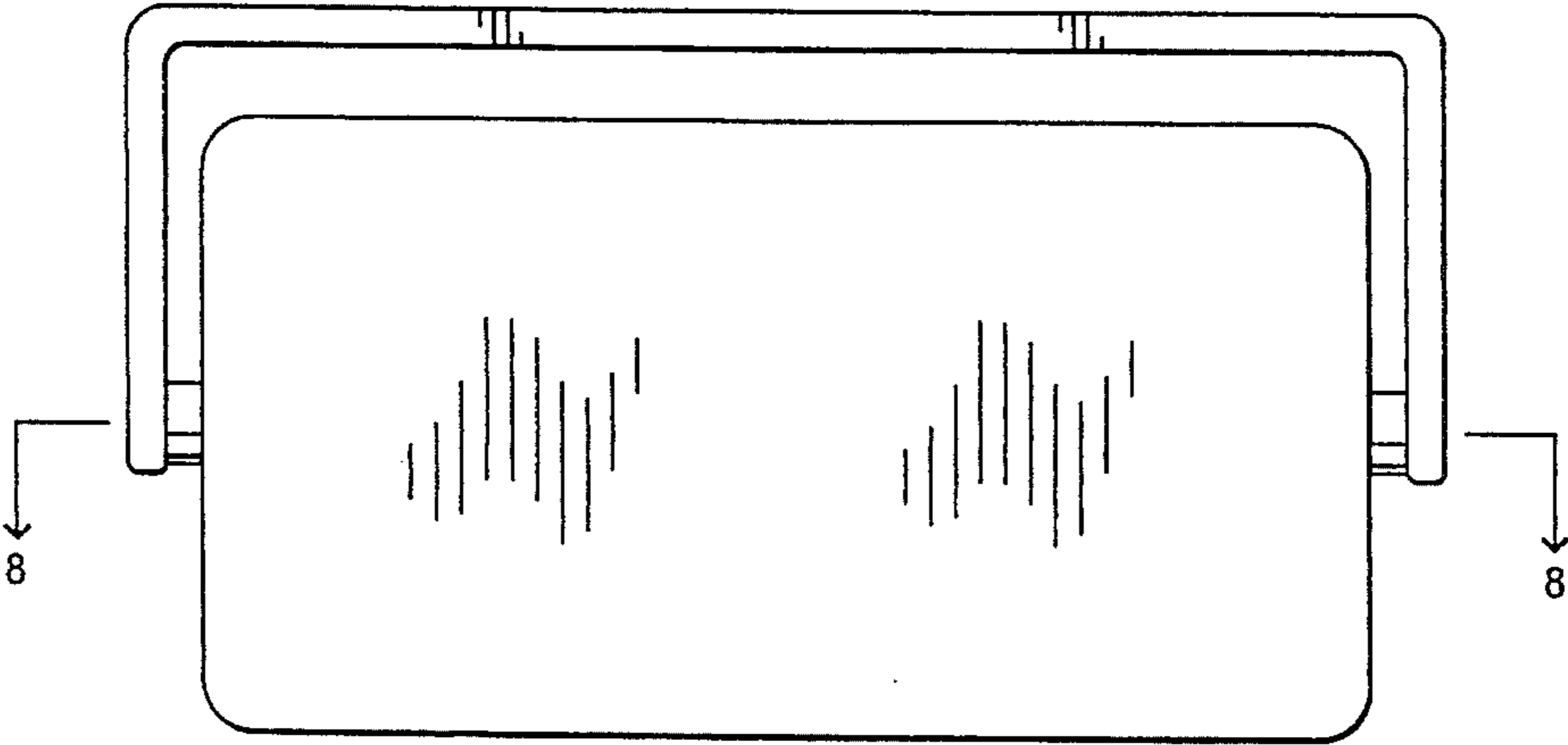


Fig.4

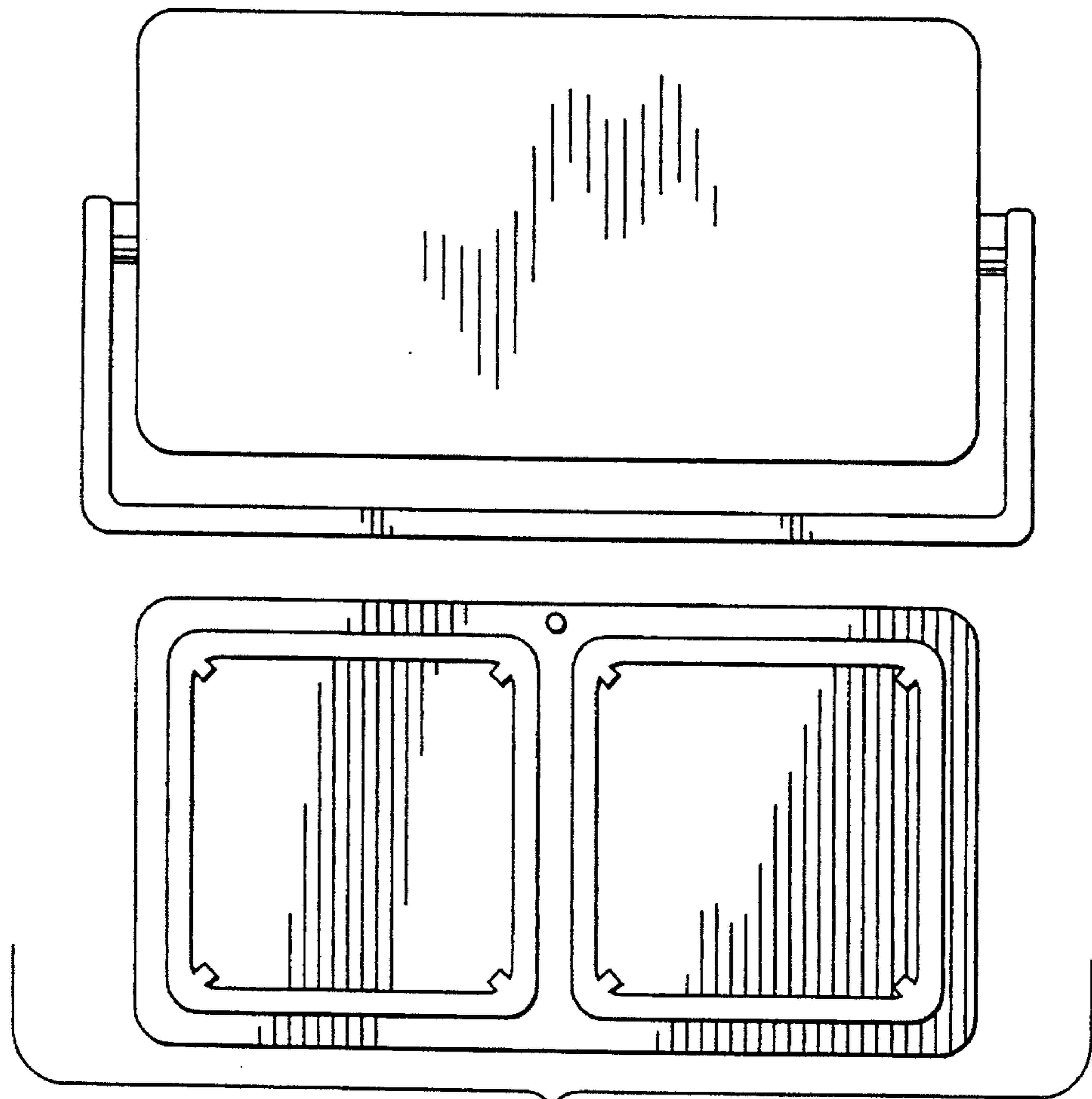


Fig.5

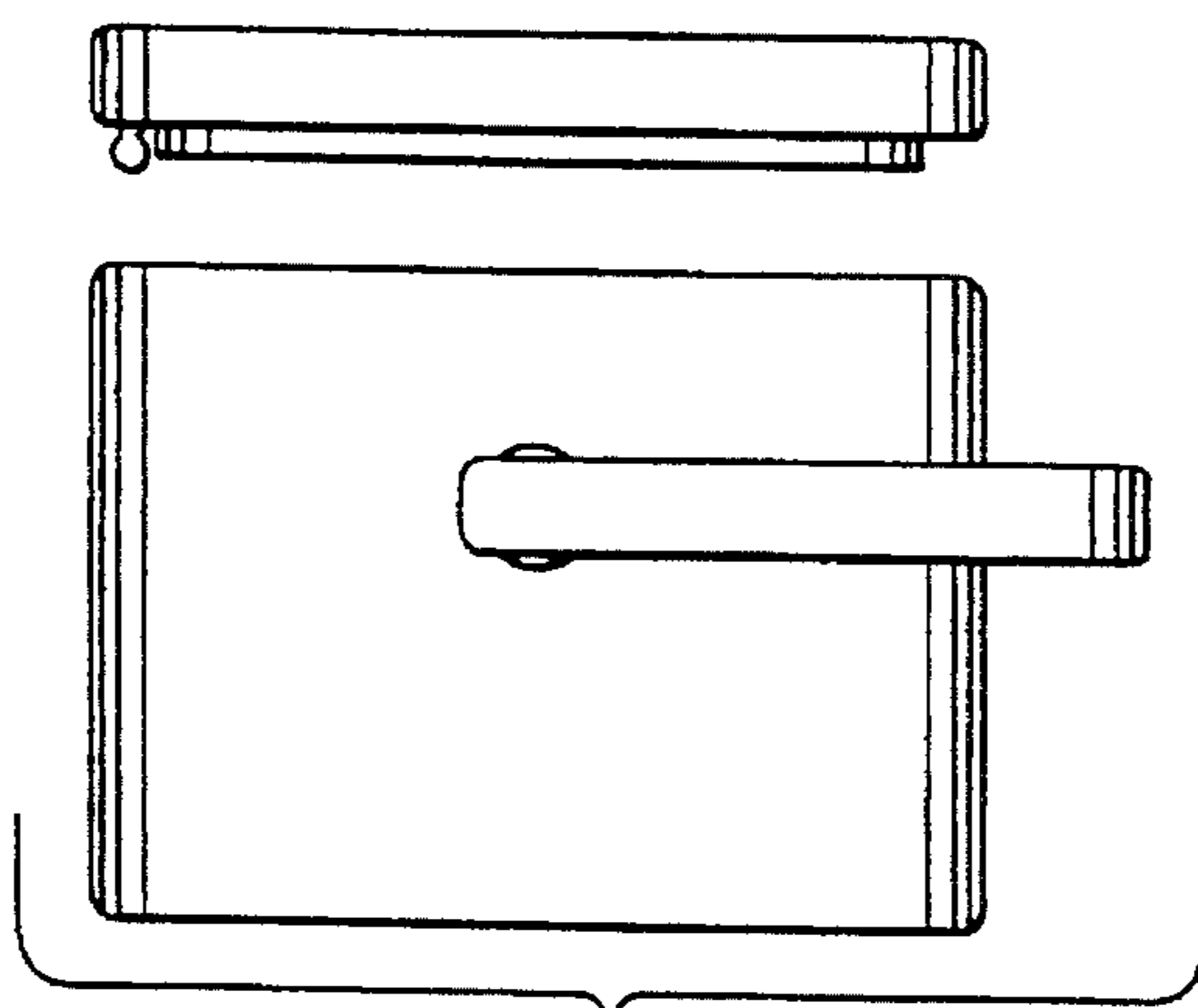


Fig.6

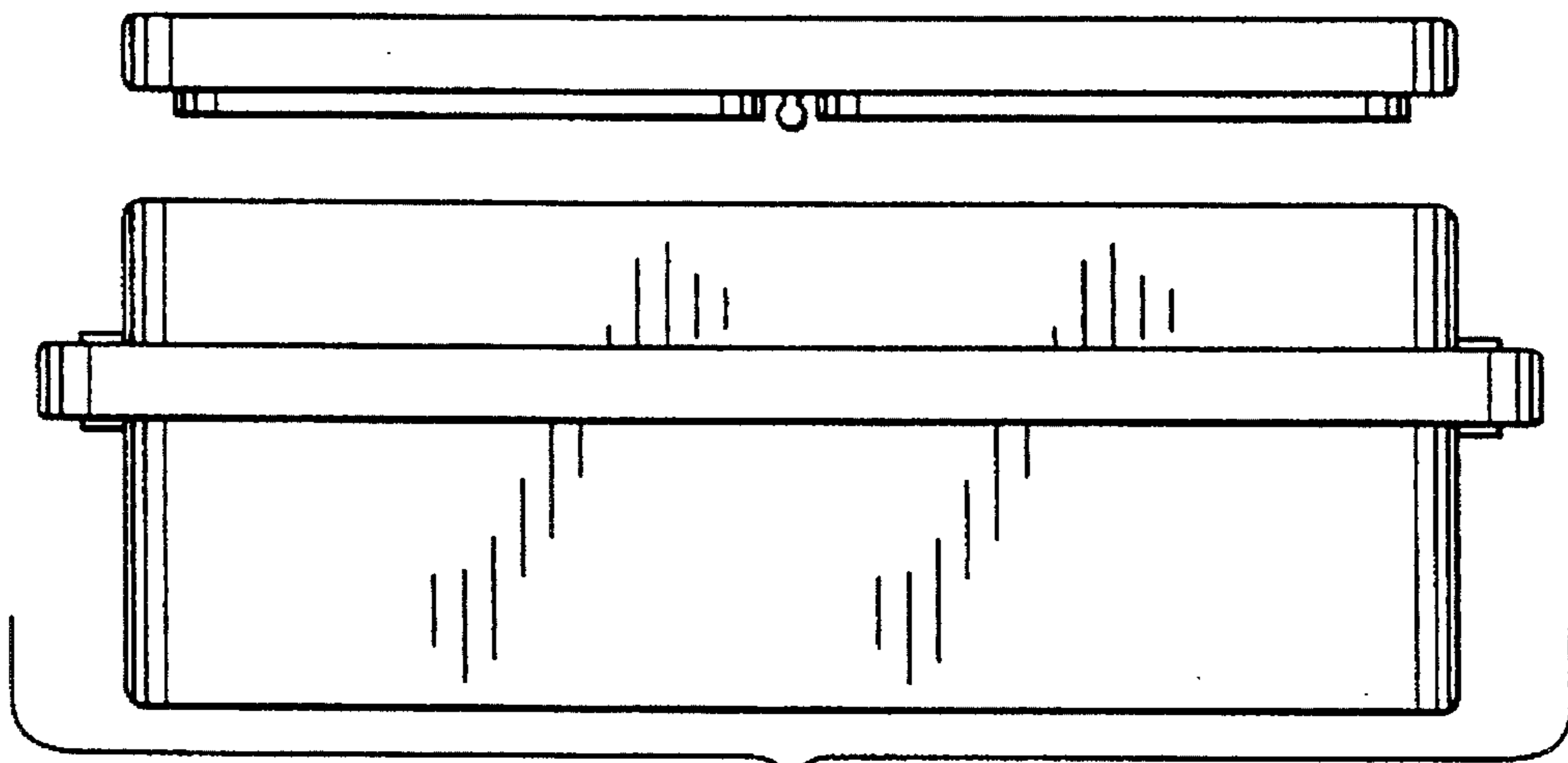


Fig.7

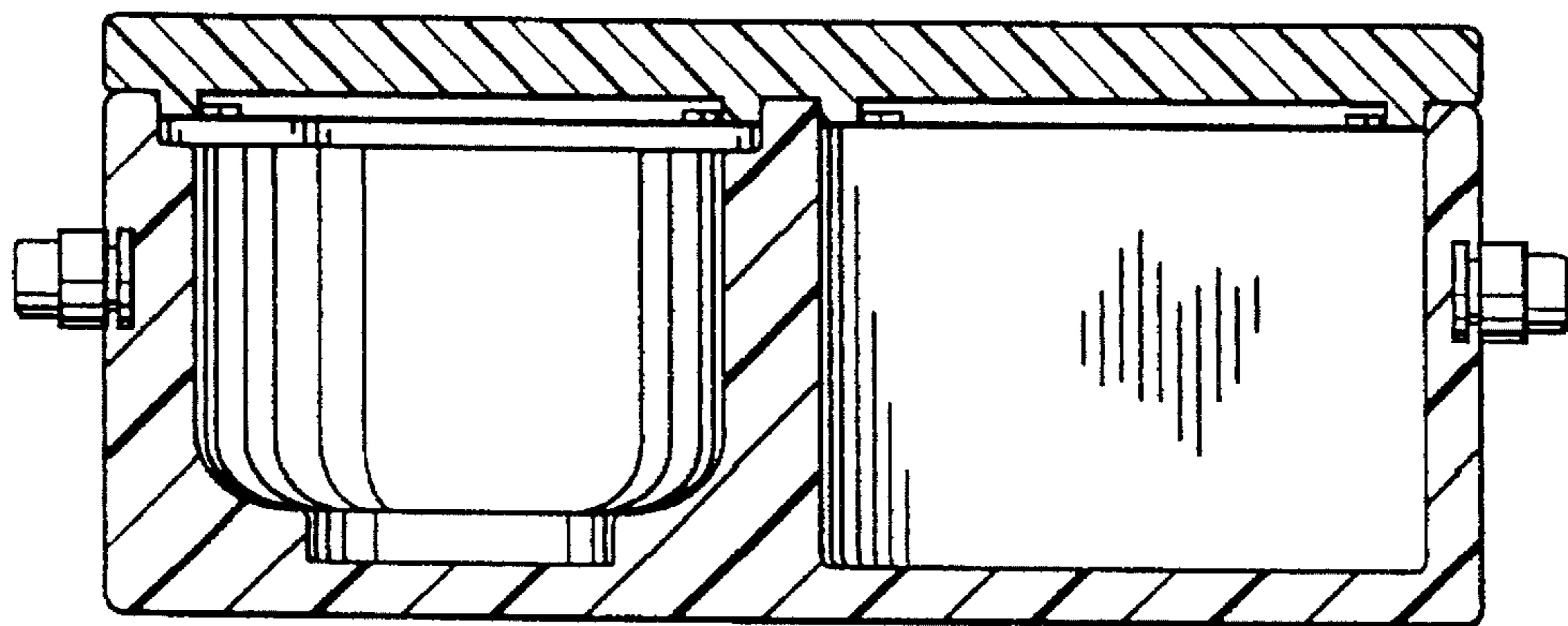


Fig.8