



US00D363647S

United States Patent [19]

Rivlin et al.

[11] Patent Number: **Des. 363,647**

[45] Date of Patent: ****Oct. 31, 1995**

[54] **COMBINED FOOD CONTAINER AND TOY BUILDING BLOCK CONNECTORS**

[76] Inventors: **Eitan Rivlin**, 22 Zondak st., Jerusalem;
Yossi Walker, 15 Hagoren st., Efrat,
both of Israel

[**] Term: **14 Years**

[21] Appl. No.: **10,614**

[22] Filed: **Jul. 12, 1993**

[30] **Foreign Application Priority Data**

Jan. 12, 1993 [IL] Israel 20337

[52] U.S. Cl. **D7/602**; D21/108

[58] Field of Search D7/601, 602, 629,
D7/543, 545; D9/414, 424, 430-432; D21/108;
206/23.4, 23.6, 23.83, 509

[56] **References Cited**

U.S. PATENT DOCUMENTS

- D. 114,193 4/1939 Mahler D9/431
- D. 235,621 7/1975 Cawrse D9/425
- D. 240,114 6/1976 Martinelli D9/425 X

- 2,695,115 11/1954 Roop D7/615 X
- 4,067,475 1/1978 Pinkau et al. D9/425 X
- 5,184,836 2/1993 Andrews, Jr. et al. D9/425 X

Primary Examiner—Terry A. Wallace
Attorney, Agent, or Firm—Edward Langer

[57] **CLAIM**

The ornamental design for combined food container and toy building block connectors, as shown and described.

DESCRIPTION

FIG. 1 is a top, rear, right side perspective view of a combined food container and toy building block connectors showing our new design, with the undisclosed bottom, left side view thereof being identical to the top, right side view; FIG. 2 is a top, front, left side perspective view thereof; FIG. 3 is a perspective view of the connectors shown separately for clarity of illustration, with the undisclosed rear view thereof being planar and unornamented; FIG. 4 is a top, rear right side perspective view of an alternate embodiment of FIG. 1, the undisclosed bottom view being identical to the top; and, FIG. 5 is a top, front, left side perspective view of FIG. 4.

1 Claim, 4 Drawing Sheets

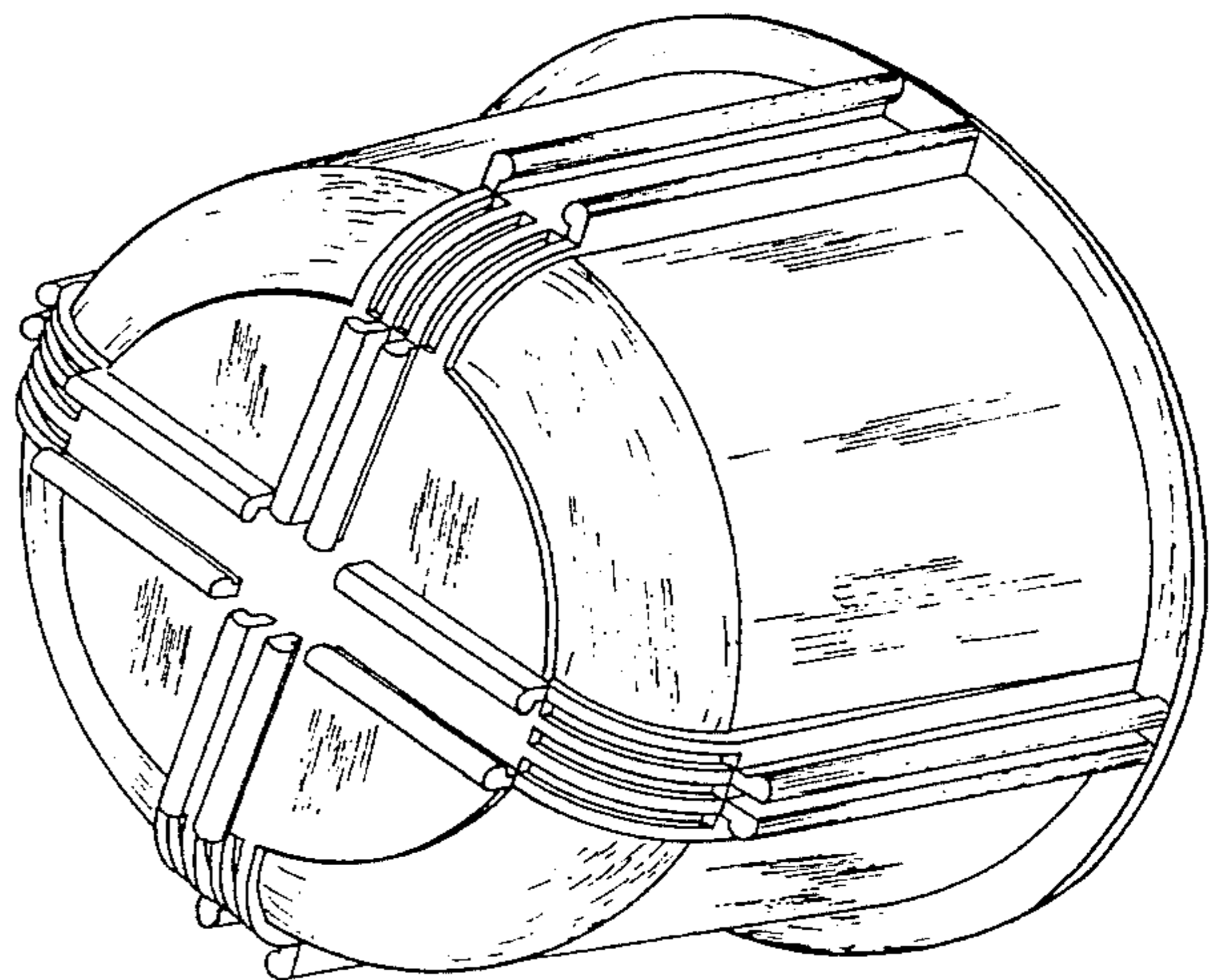




FIG. 1

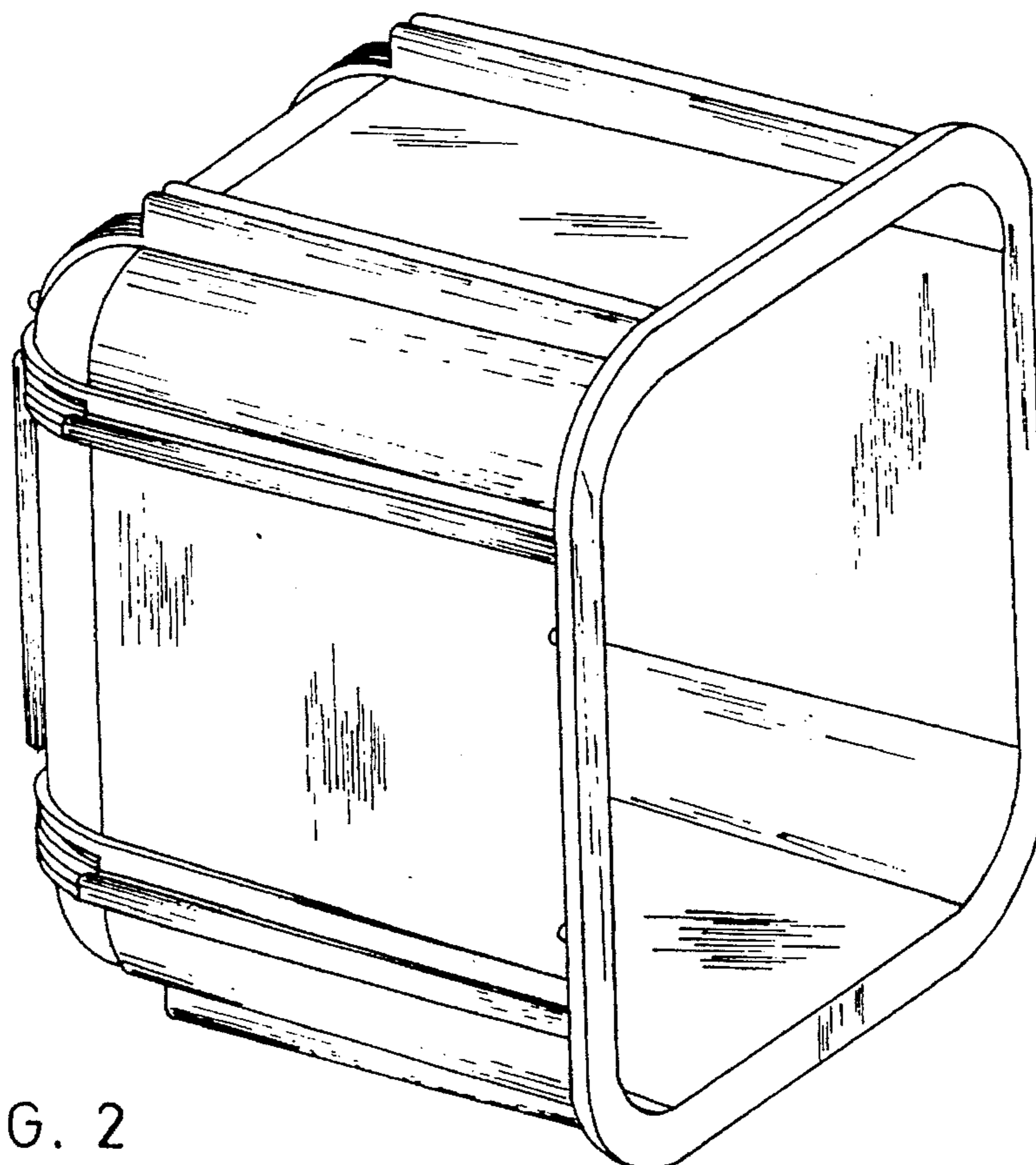


FIG. 2

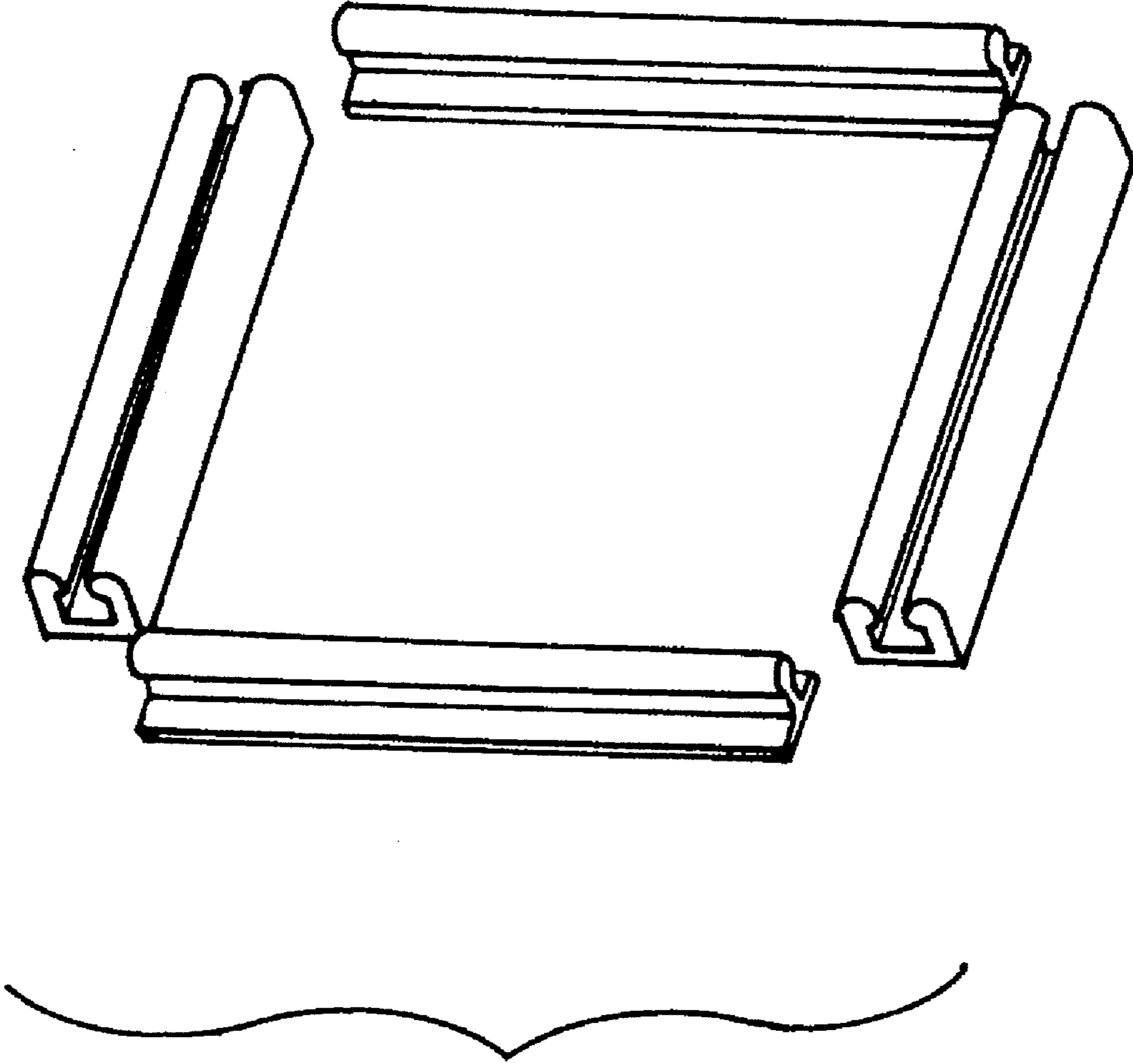


FIG. 3

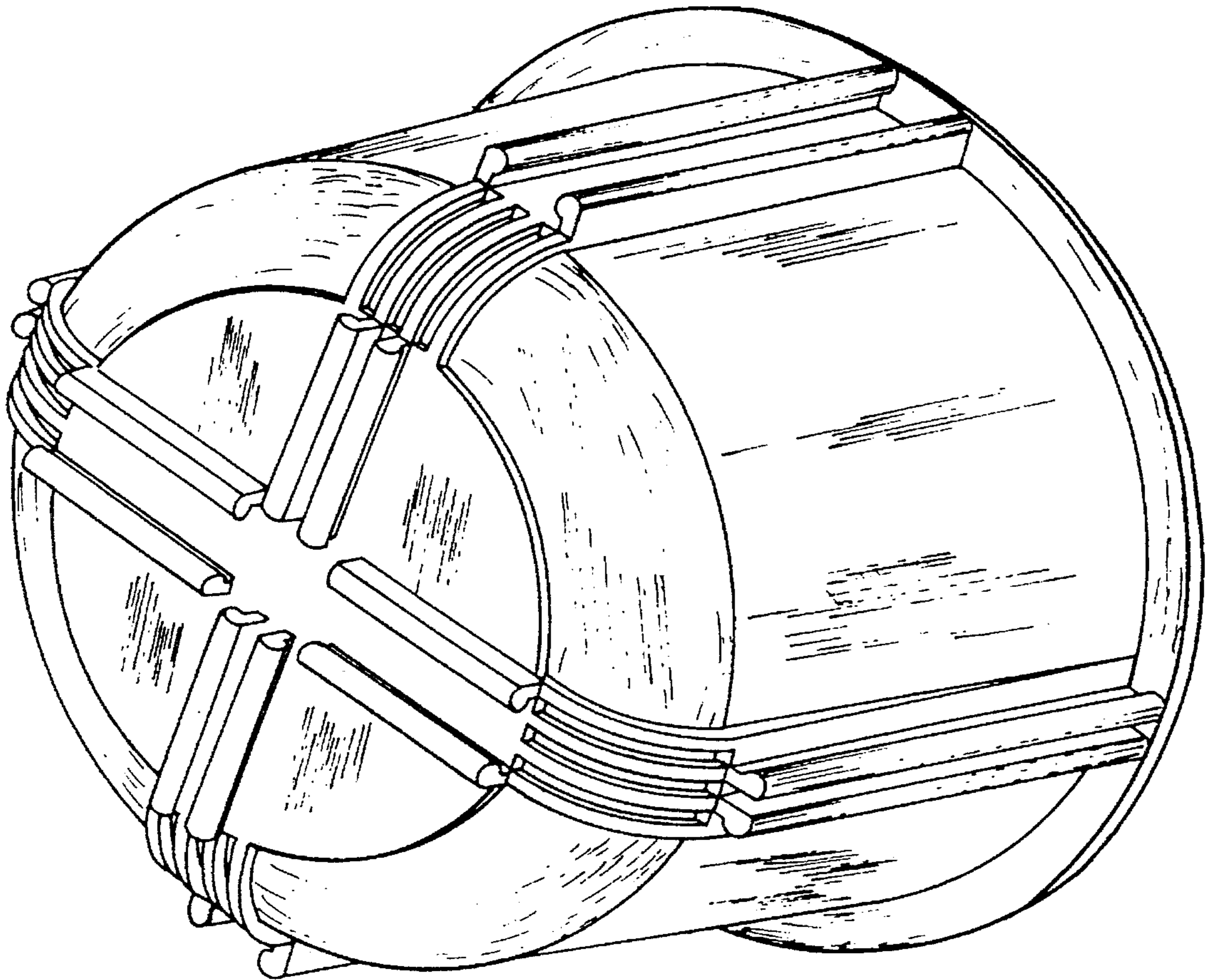


FIG. 4

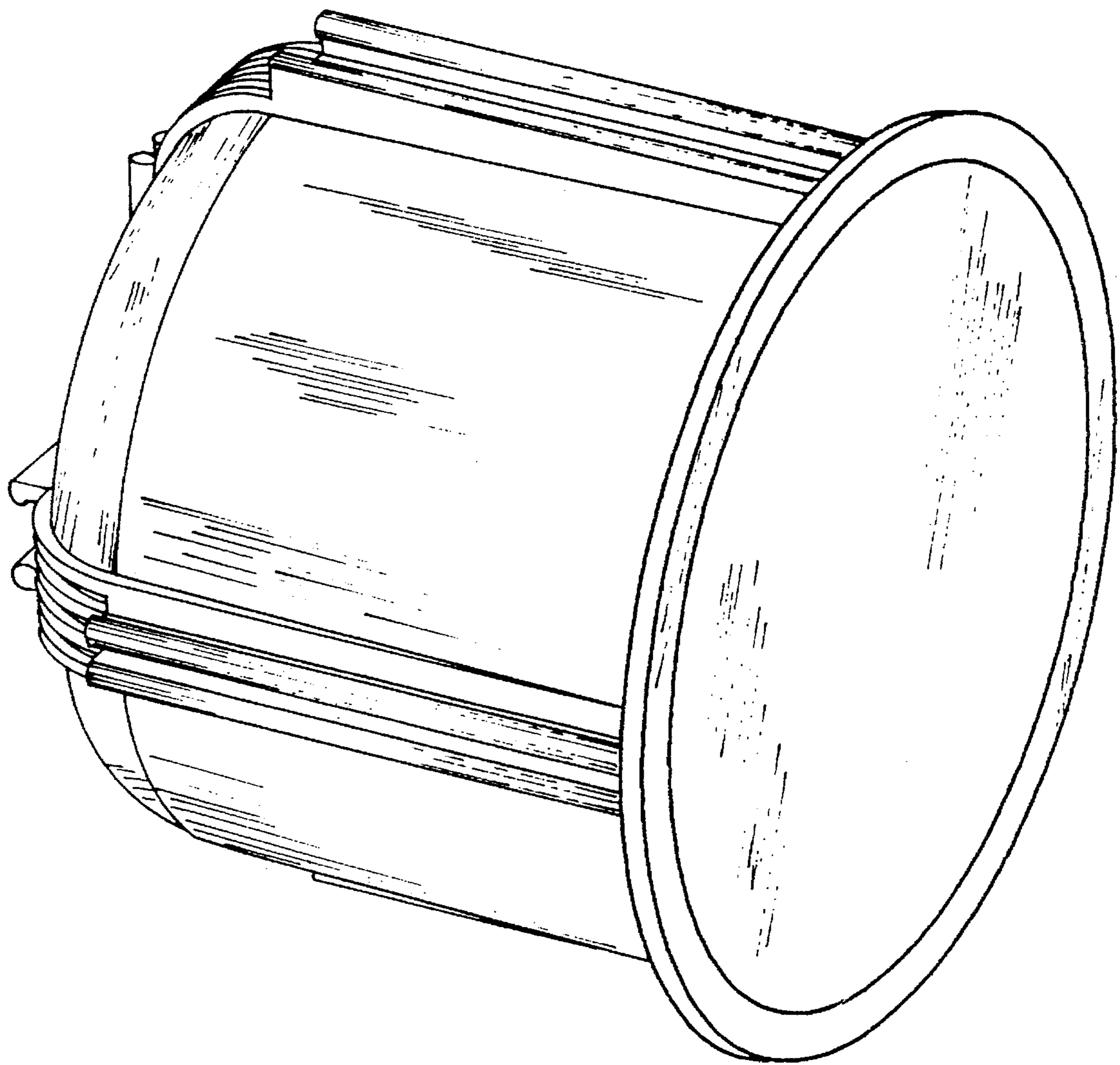


FIG. 5