



US00D363643S

**United States Patent** [19]  
**Eisenberg**

[11] **Patent Number: Des. 363,643**  
[45] **Date of Patent: \*\*Oct. 31, 1995**

[54] **FAST FOOD LAP TRAY**

[76] Inventor: **Seth G. Eisenberg**, 1207 Heather Hill Crescent, Flossmoor, Ill. 60422

[\*\*] Term: **14 Years**

[21] Appl. No.: **23,535**

[22] Filed: **May 26, 1994**

[52] U.S. Cl. .... **D7/553; D6/406; D7/546**

[58] Field of Search ..... D7/507, 543, 544, D7/545, 546, 549, 551, 552, 553, 554, 555, 698, 643, 564, 359, 360, 354, 502, 550, 501, 505, 590, 558; 224/222, 267, 275, 224, 159; 211/69.4; 206/563, 562; D6/406; D19/22, 23; D9/341, 397; 220/575, 556

[56] **References Cited**

**U.S. PATENT DOCUMENTS**

D. 116,623	9/1937	Lockwood	.....	D7/507
D. 251,001	2/1979	Forselius	.....	D6/406
D. 257,914	1/1981	Wooters	.....	D7/553 X
D. 268,072	3/1983	Boggs	.....	D7/553 X
D. 289,247	4/1987	Wang	.....	D6/406 X
D. 293,493	12/1987	Garr	.....	D6/406 X
D. 318,579	7/1991	Palmer	.....	D6/406
D. 355,786	2/1995	Wolff	.....	D6/406
3,804,233	4/1974	Gregg	.....	206/562 X

**FOREIGN PATENT DOCUMENTS**

2140290 11/1984 United Kingdom ..... 108/43

*Primary Examiner*—Alan P. Douglas  
*Assistant Examiner*—M. N. Pandozzi  
*Attorney, Agent, or Firm*—Gary M. Hartman; Domenica N. S. Hartman

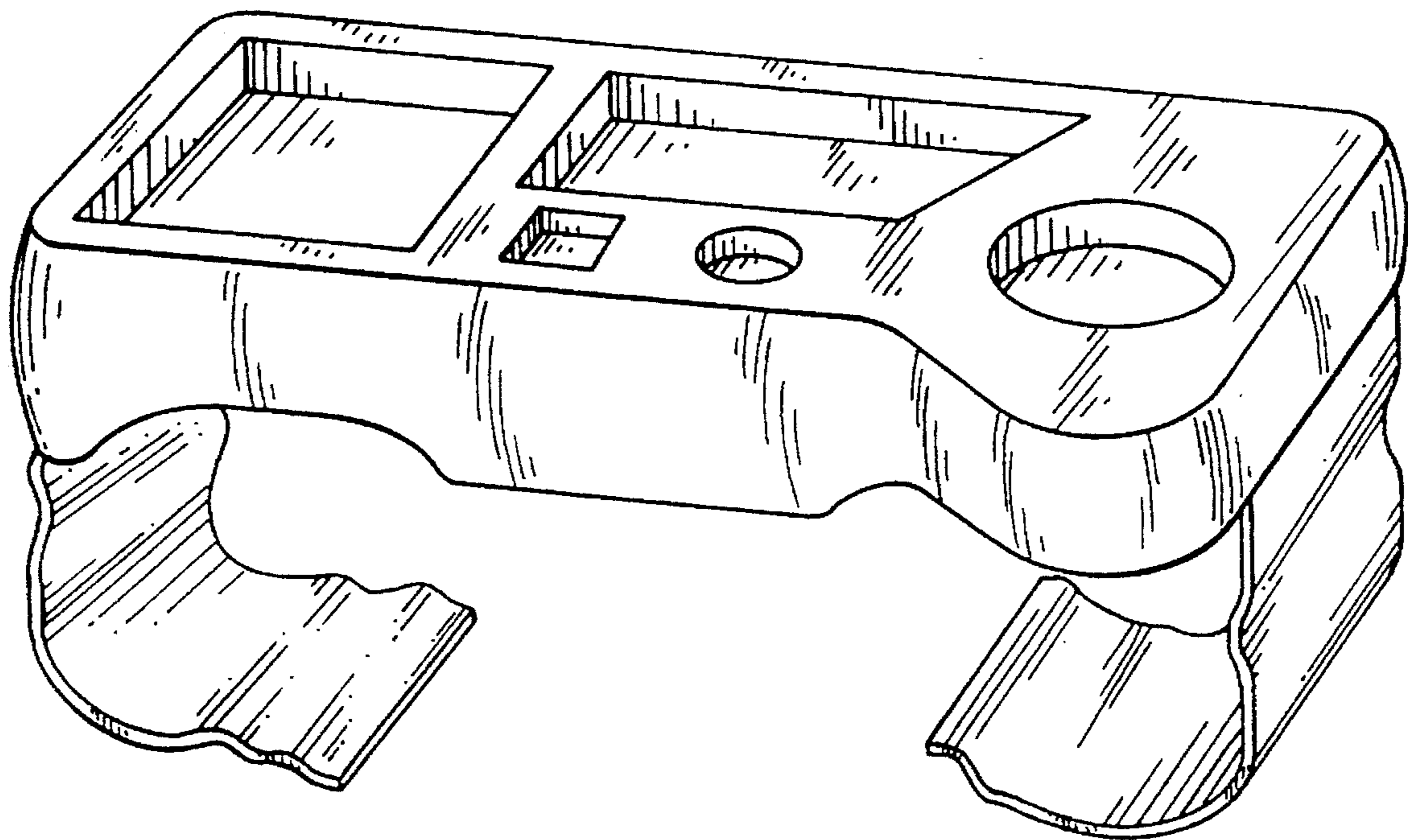
[57] **CLAIM**

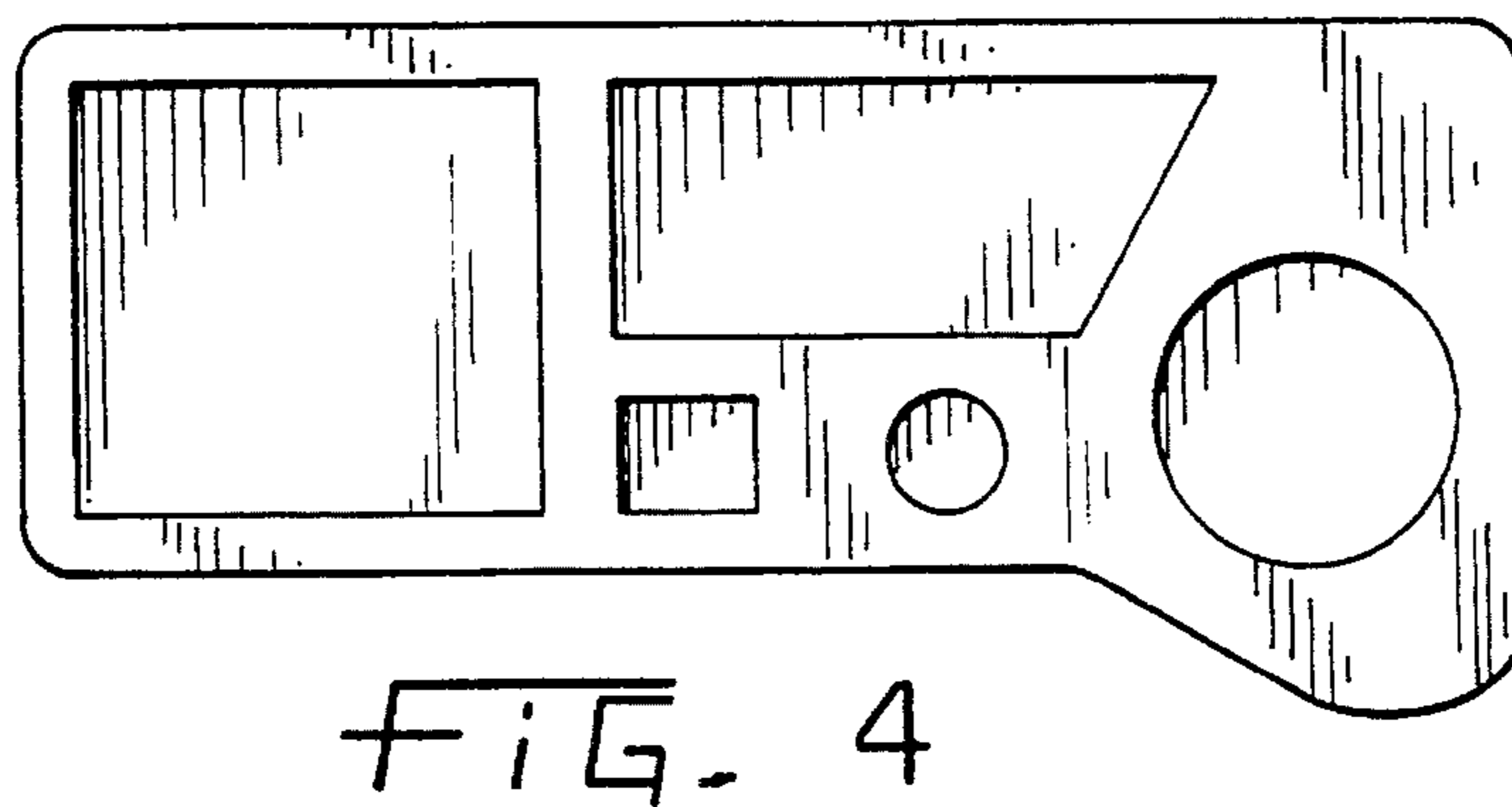
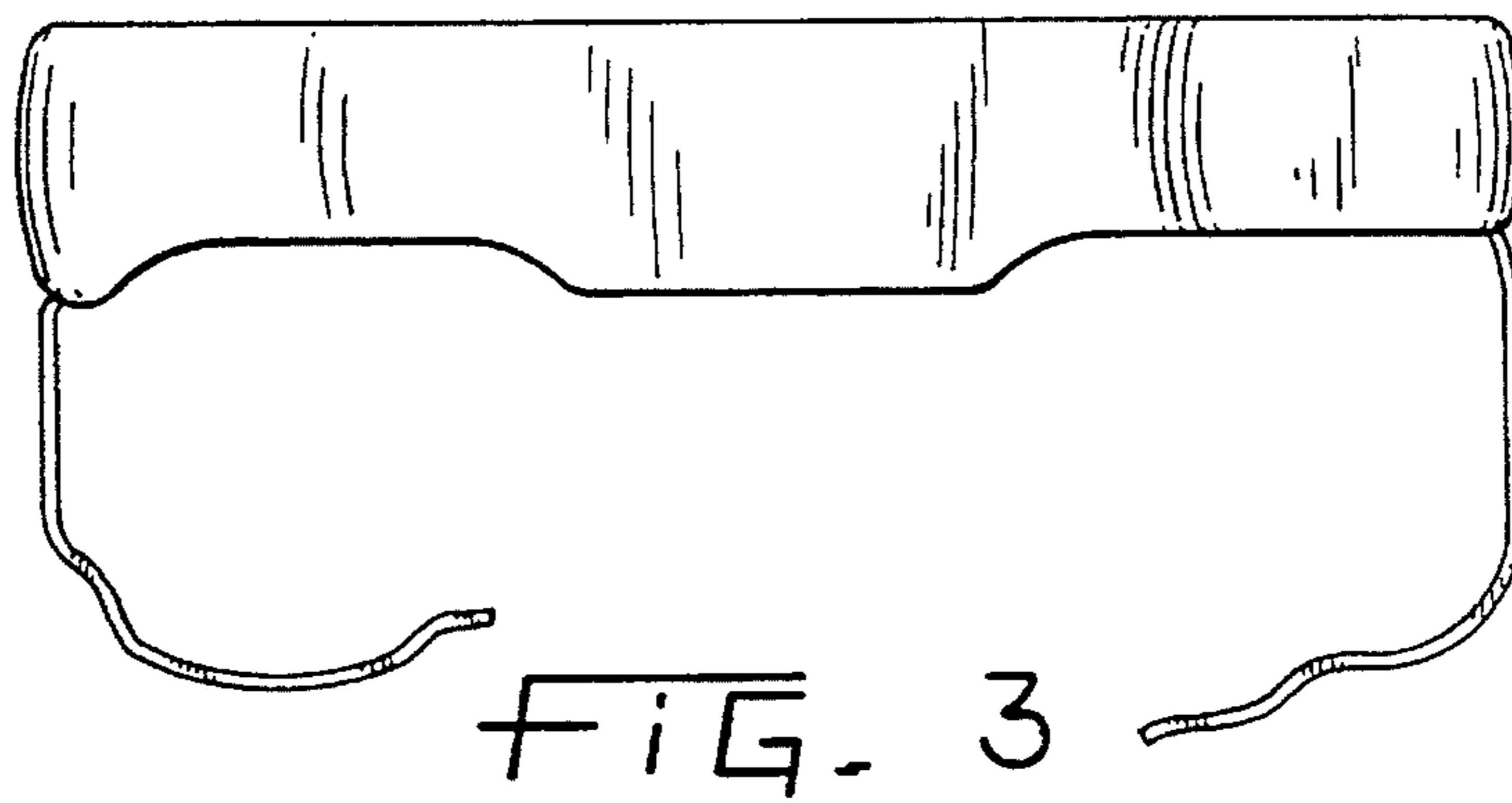
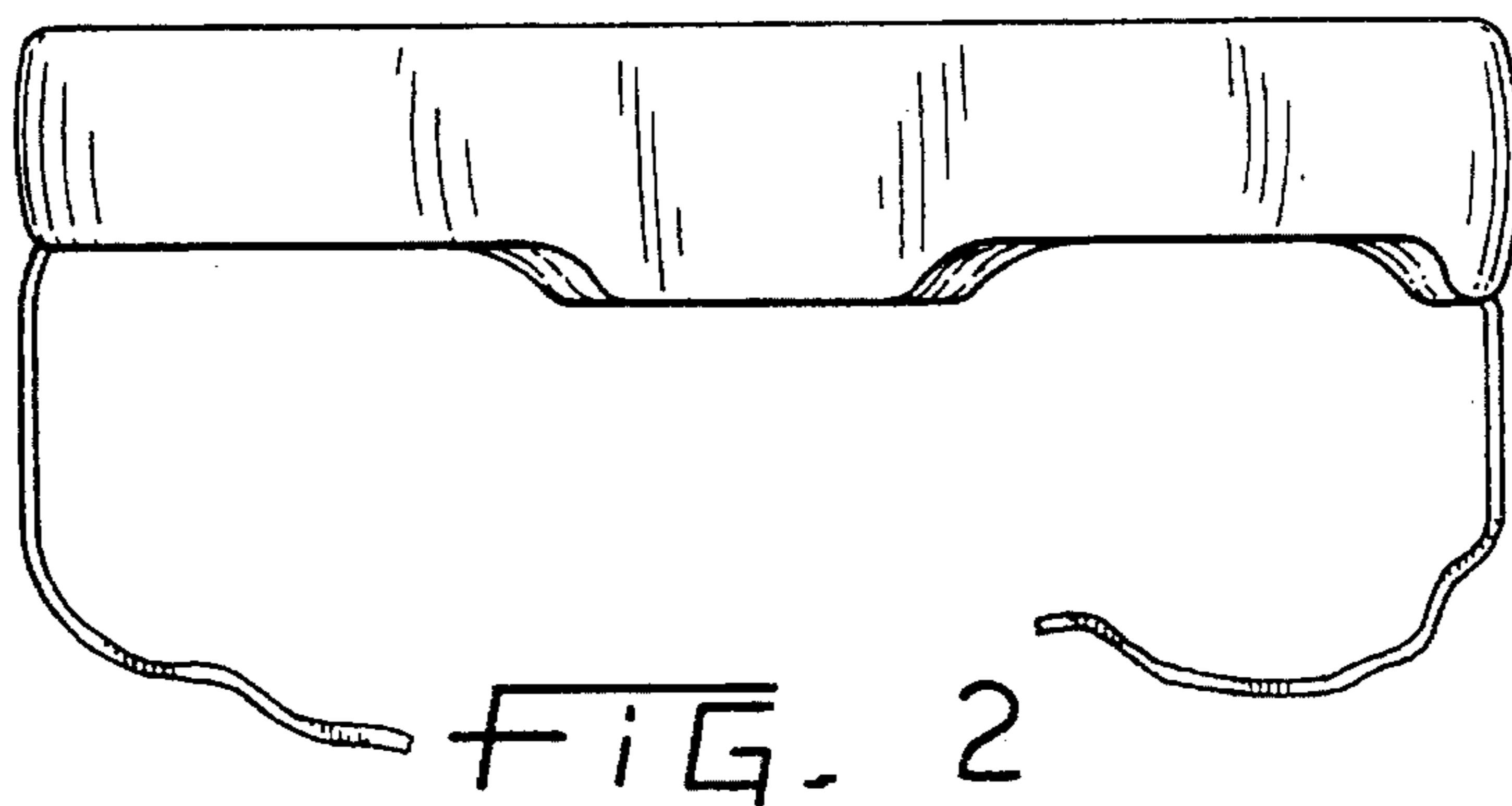
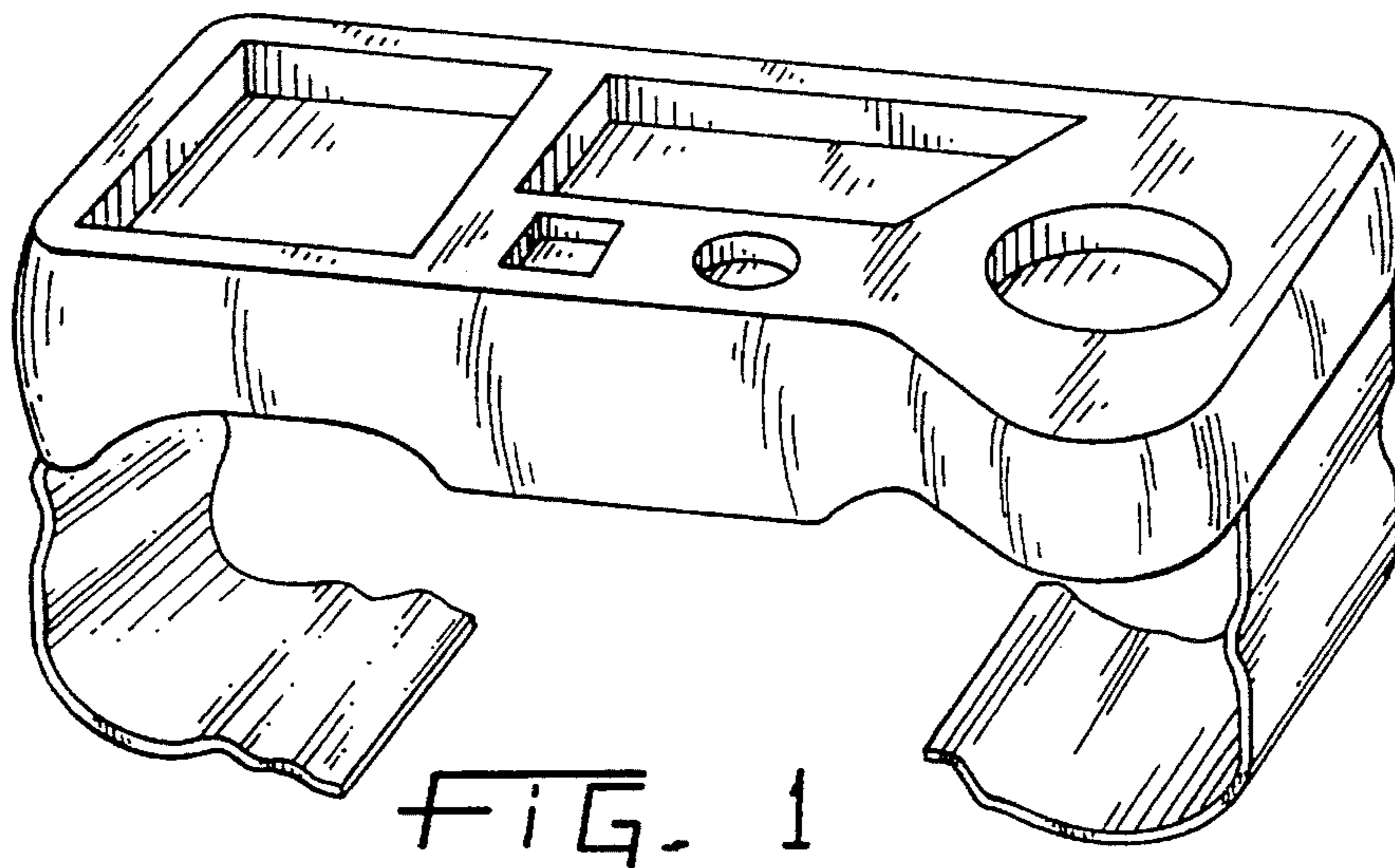
The ornamental design for a fast food lap tray, as shown.

**DESCRIPTION**

FIG. 1 is a perspective view of a fast food lap tray in accordance with this invention;  
FIG. 2 is a rear edge view of the fast food lap tray of FIG. 1;  
FIG. 3 is a front edge view of the fast food lap tray of FIG. 1;  
FIG. 4 is a plan view of the fast food lap tray of FIG. 1, illustrating the placement of several food receptacles in an upper surface of the fast food lap tray;  
FIG. 5 is a view of a lower surface of the fast food lap tray of FIG. 1;  
FIG. 6 is a right end view of the fast food lap tray of FIG. 1; and,  
FIG. 7 is a left end view of the fast food lap tray of FIG. 1.

**1 Claim, 2 Drawing Sheets**





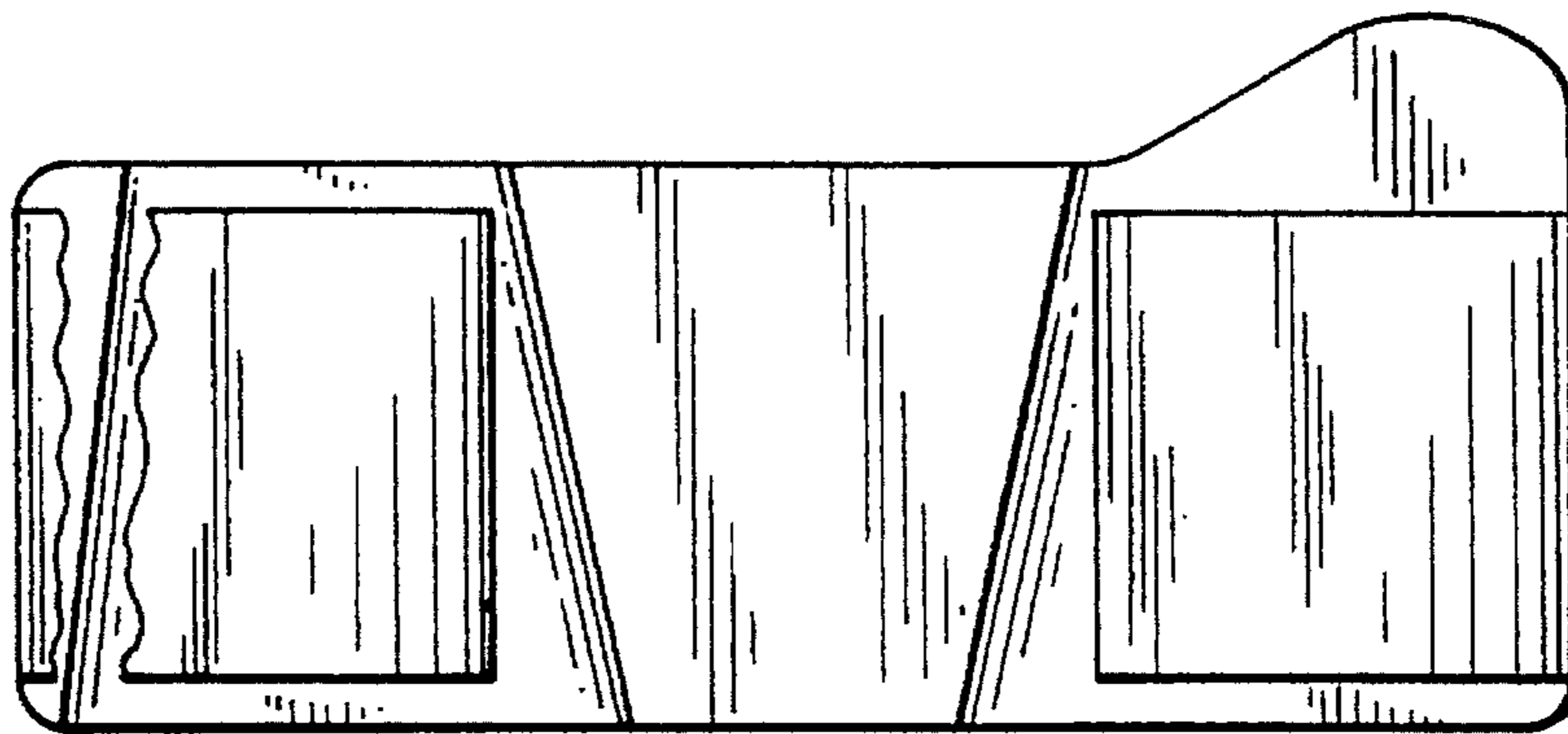


FIG. 5

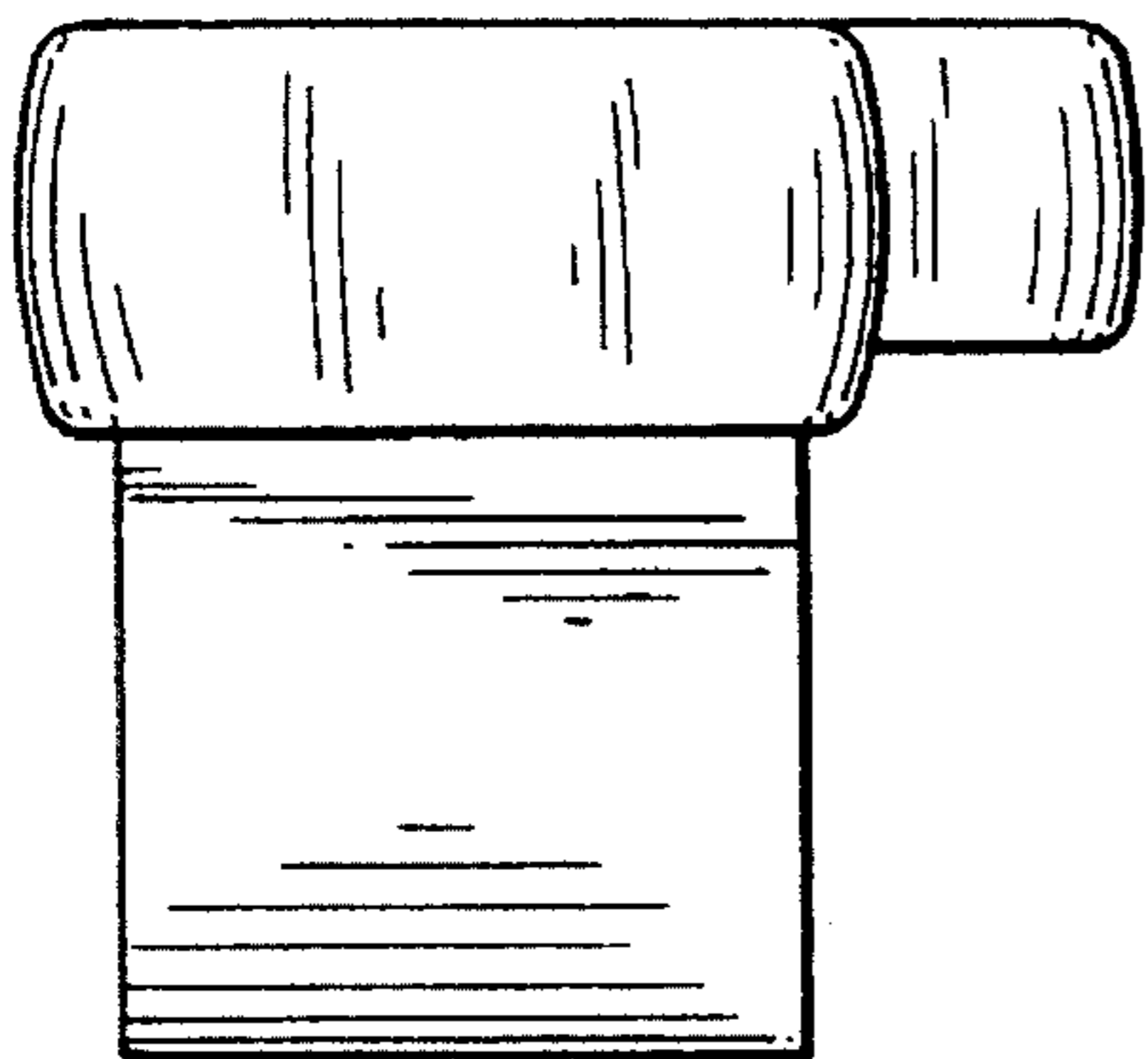


FIG. 6

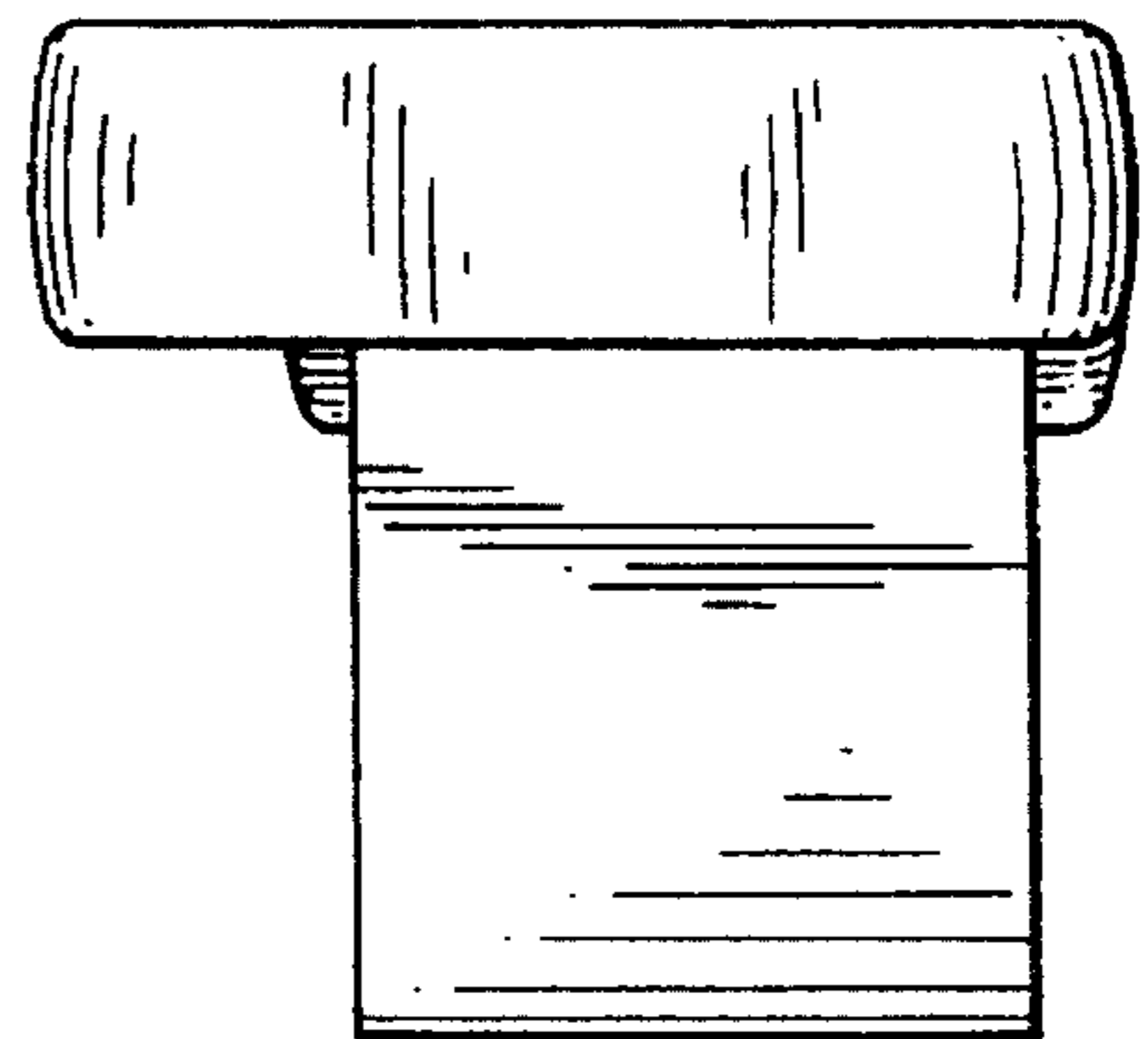


FIG. 7